



US00D779672S

(12) **United States Design Patent**  
**Tapocik**

(10) **Patent No.:** **US D779,672 S**

(45) **Date of Patent:** **\*\* Feb. 21, 2017**

(54) **INTERPROXIMAL DENTAL TOOL**

7,824,182 B2 \* 11/2010 Kim ..... A61C 3/06  
433/142

(71) Applicant: **Kerr Corporation**, Orange, CA (US)

(Continued)

(72) Inventor: **Bryan Tapocik**, Highland, CA (US)

*Primary Examiner* — Wan Laymon

(73) Assignee: **Kerr Corporation**, Orange, CA (US)

(74) *Attorney, Agent, or Firm* — Wood Herron & Evans  
LLP

(\*\*) Term: **15 Years**

(57) **CLAIM**

(21) Appl. No.: **29/558,036**

The ornamental design for an interproximal dental tool, as shown and described.

(22) Filed: **Mar. 15, 2016**

**DESCRIPTION**

**Related U.S. Application Data**

(63) Continuation of application No. 29/503,746, filed on Sep. 29, 2014, now Pat. No. Des. 751,708, and a continuation of application No. 29/503,749, filed on Sep. 29, 2014, now Pat. No. Des. 759,247.

FIG. 1 is a top, front, right side perspective view of the first embodiment of the interproximal dental tool, showing my new design;

(51) **LOC (10) Cl.** ..... **24-02**

(52) **U.S. Cl.**

USPC ..... **D24/152**

(58) **Field of Classification Search**

USPC ..... D24/152, 176, 147; D8/90

CPC .. A61C 15/00; A61C 3/06; A61C 3/12; A61C 5/125; A61C 5/127

See application file for complete search history.

FIG. 2 is a bottom, rear left side perspective view thereof;

FIG. 3 is a front elevational view thereof;

FIG. 4 is a rear elevational view thereof;

FIG. 5 is a top plan view thereof;

FIG. 6 is a bottom plan view thereof;

FIG. 7 is a left side elevational view thereof; and

FIG. 8 is a right side elevational view thereof.

FIG. 9 is a top, front, right side perspective view of the second embodiment of the interproximal dental tool, showing my new design;

FIG. 10 is a bottom, rear left side perspective view thereof;

FIG. 11 is a front elevational view thereof;

FIG. 12 is a rear elevational view thereof;

FIG. 13 is a top plan view thereof;

FIG. 14 is a bottom plan view thereof;

FIG. 15 is a left side elevational view thereof; and,

FIG. 16 is a right side elevational view thereof.

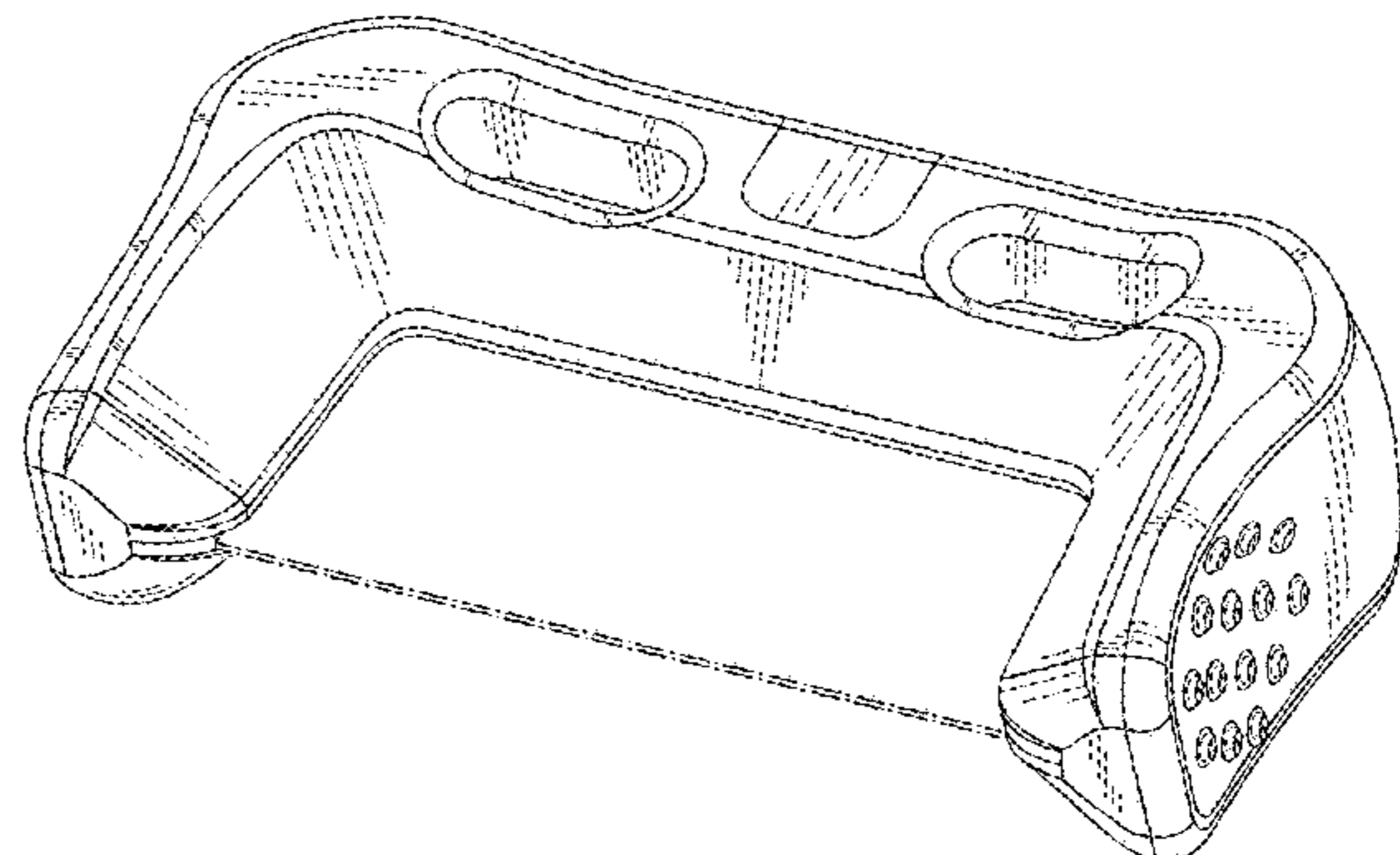
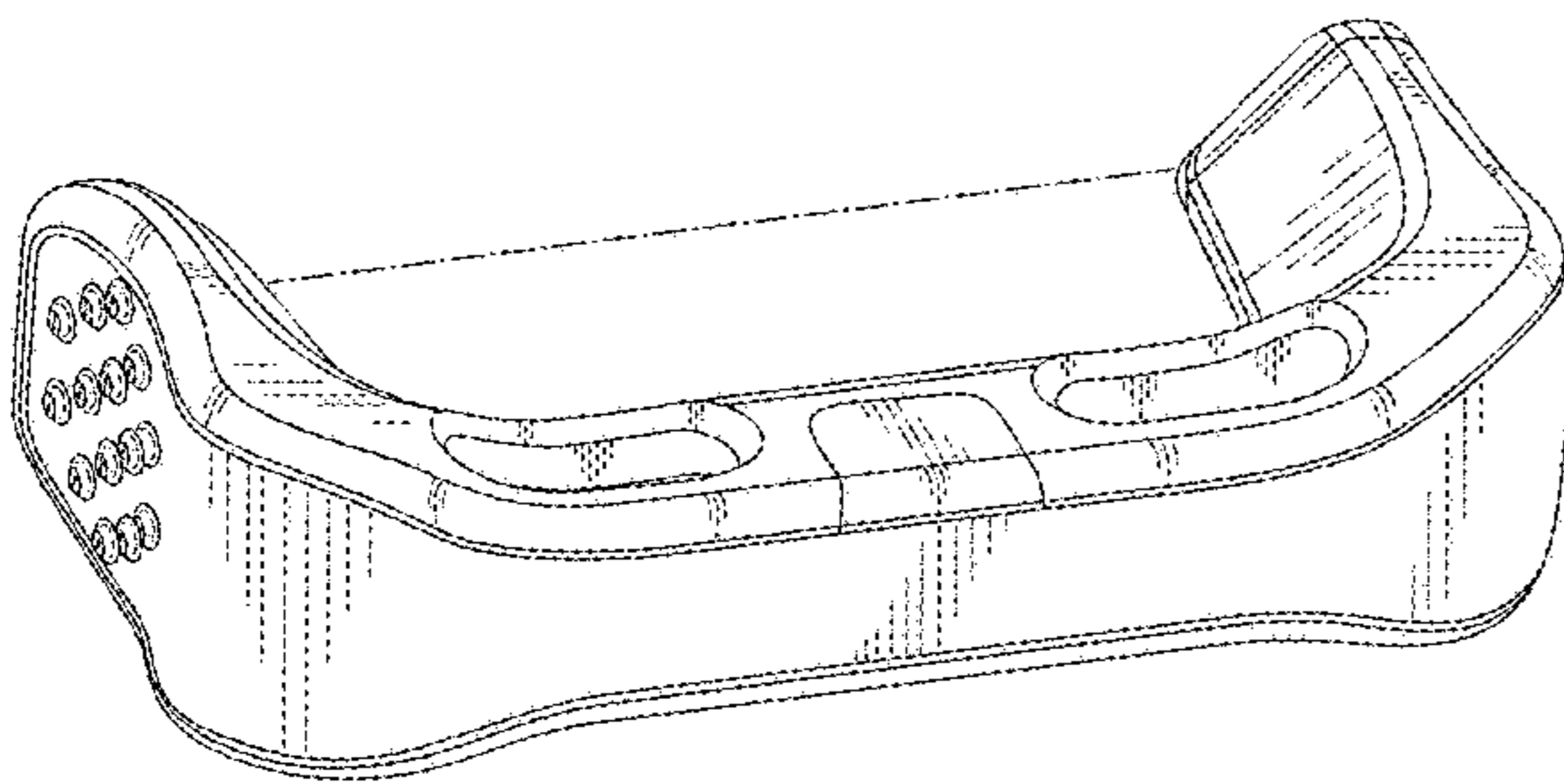
The broken dash lines shown in the drawing views represent non-claimed subject matter, and neither the lines themselves nor anything within the lines form any part of the claimed invention.

(56) **References Cited**

**U.S. PATENT DOCUMENTS**

2,288,011 A	6/1942	Mizzy
4,483,676 A	11/1984	Thierman
5,476,381 A	12/1995	Dragan
7,455,521 B2	11/2008	Fishburne, Jr.
D600,810 S	9/2009	Khoury
D609,341 S	2/2010	Khoury

**1 Claim, 10 Drawing Sheets**



(56)

**References Cited**

U.S. PATENT DOCUMENTS

D638,127 S	5/2011	Khour	
8,419,427 B2	4/2013	Effenberger et al.	
9,277,975 B1 *	3/2016	Tapocik .....	A61C 15/00
D759,247 S *	6/2016	Tapocik .....	D24/152
9,402,694 B2 *	8/2016	Khour .....	A61C 3/06
2006/0127845 A1	6/2006	Khour	

\* cited by examiner

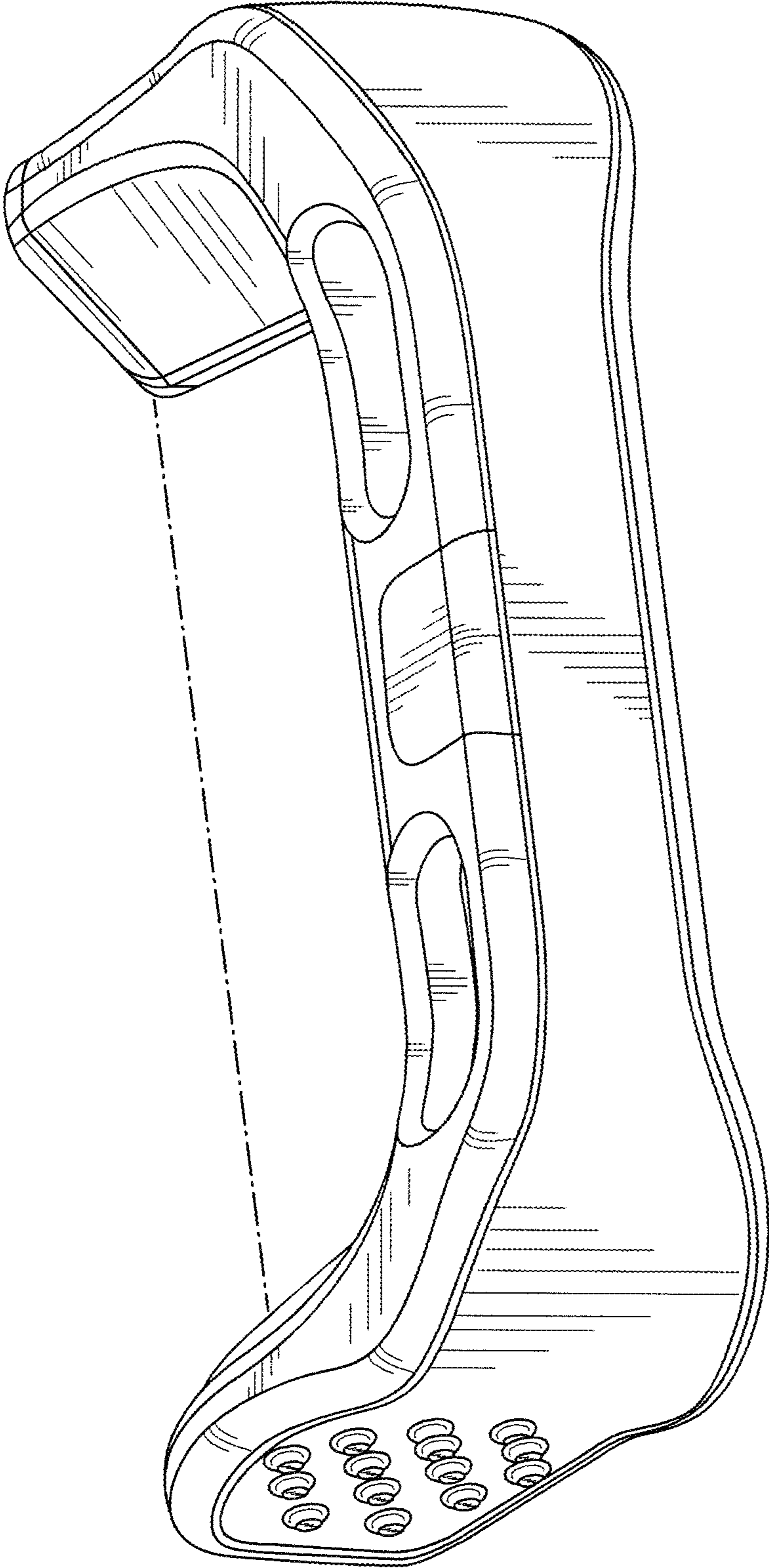


FIG. 1

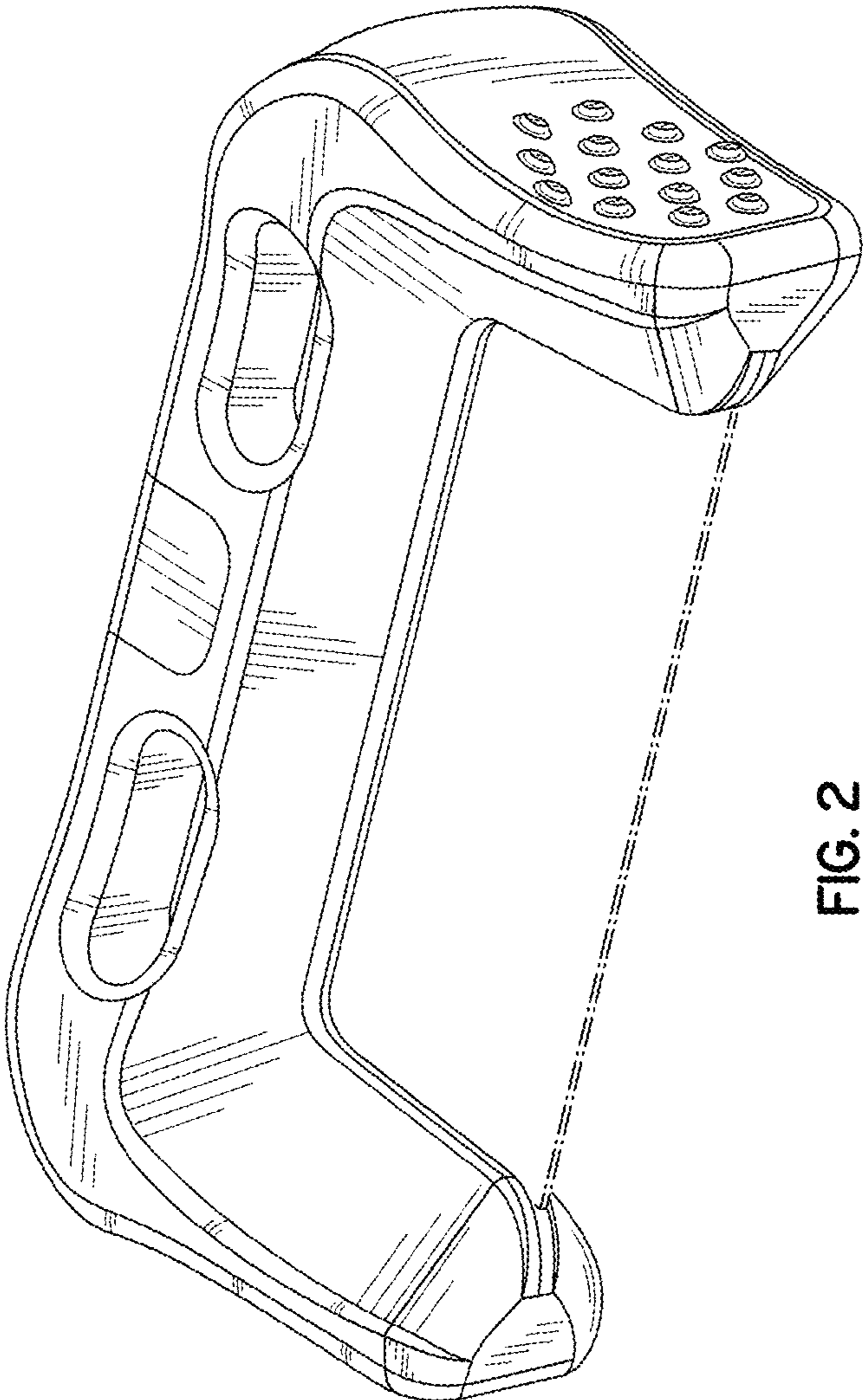


FIG. 2



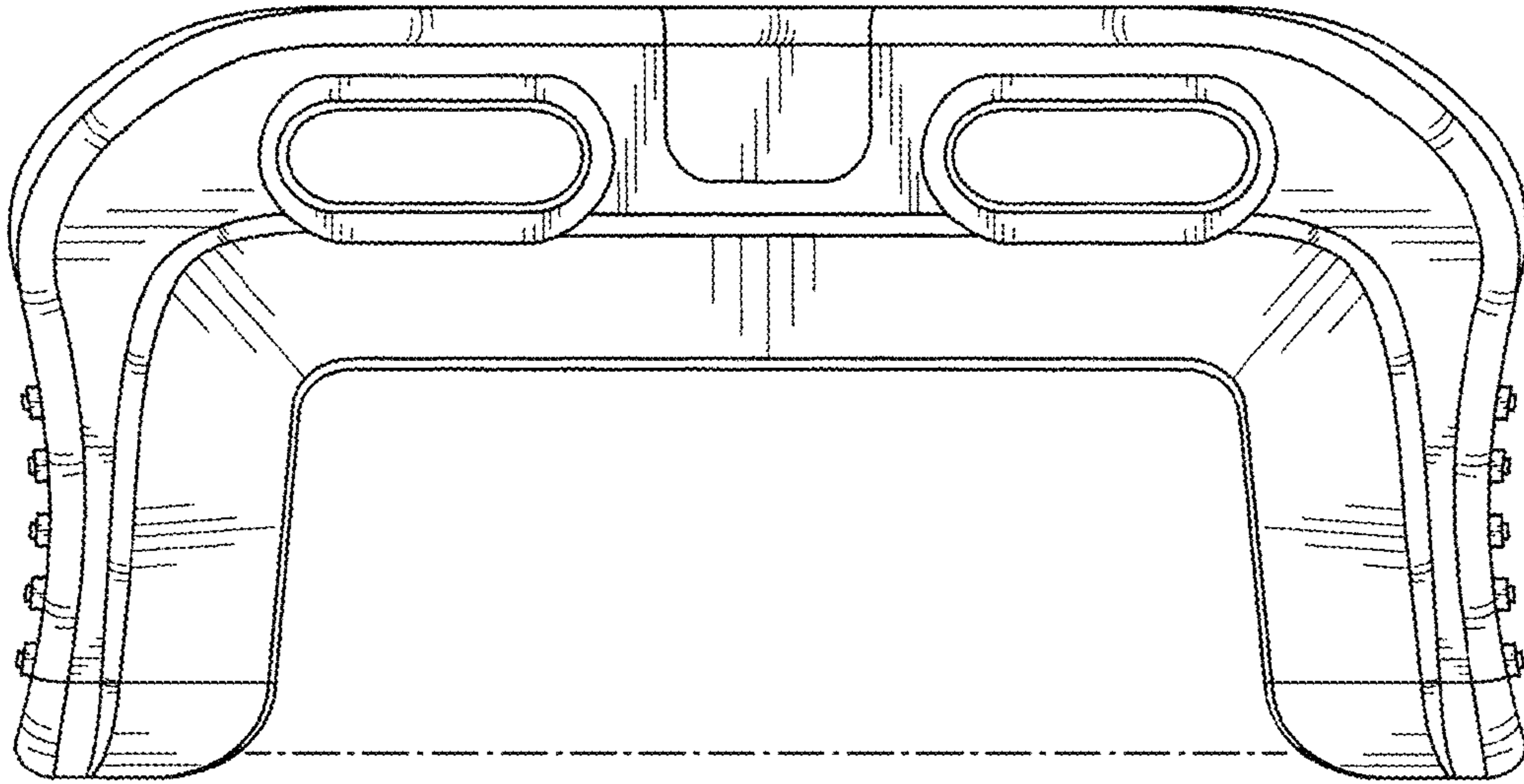


FIG. 3

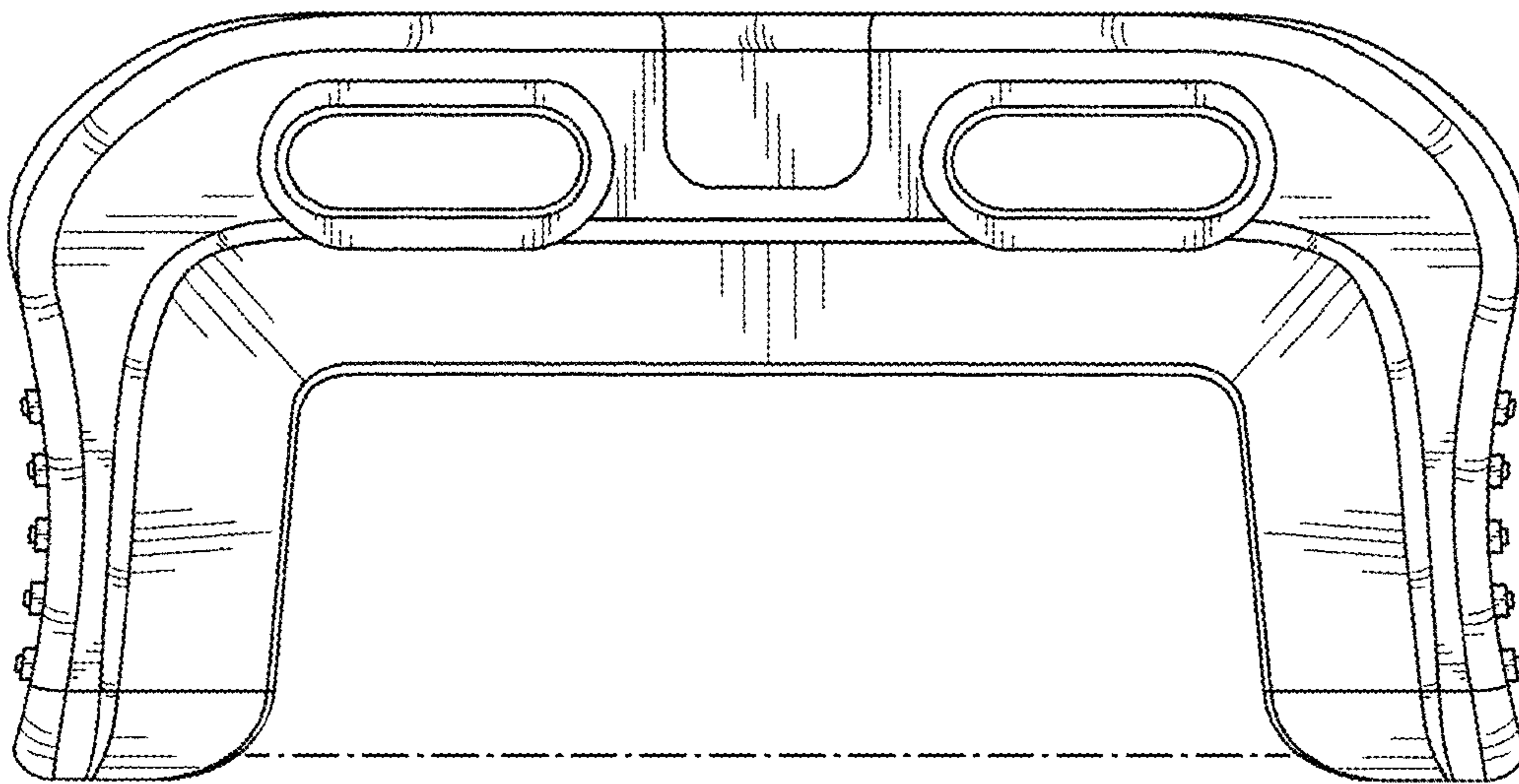


FIG. 4

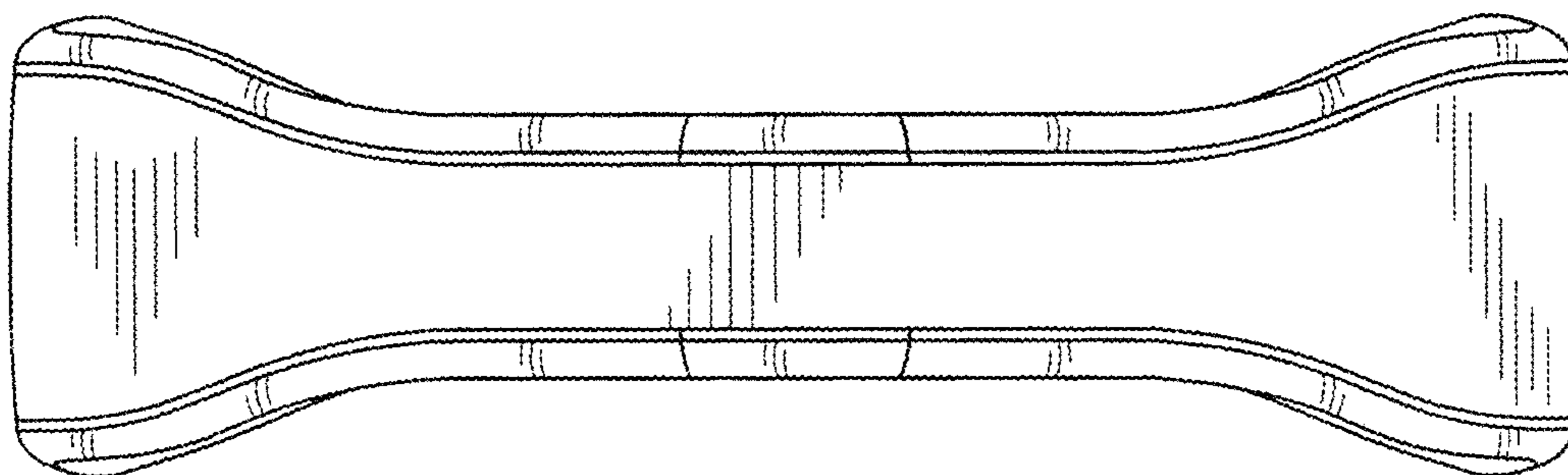


FIG. 5

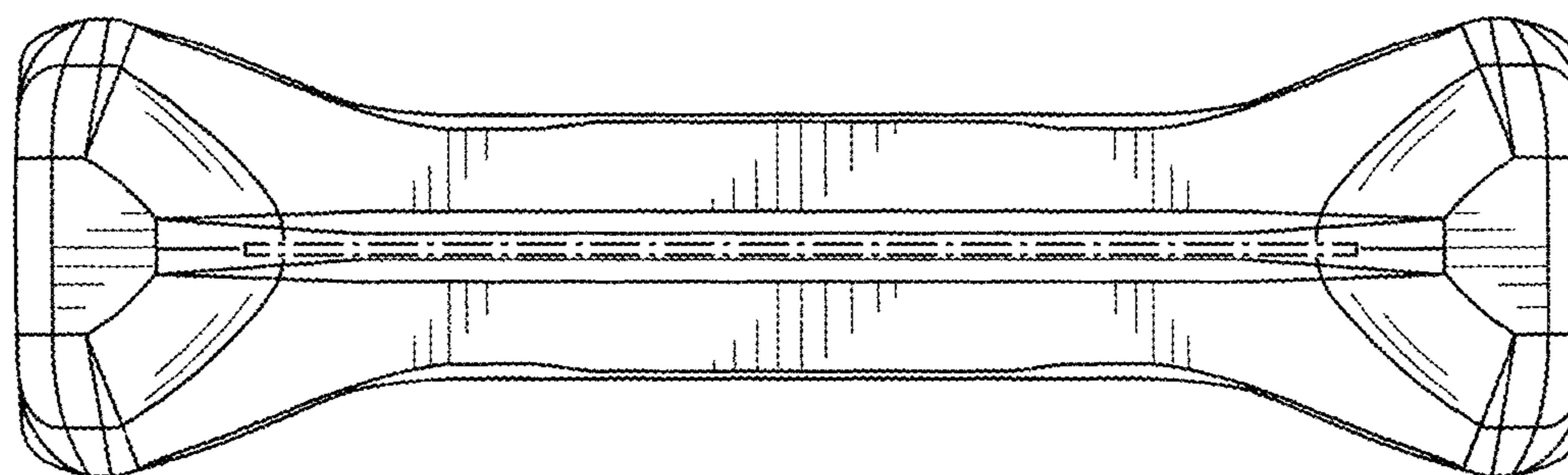


FIG. 6

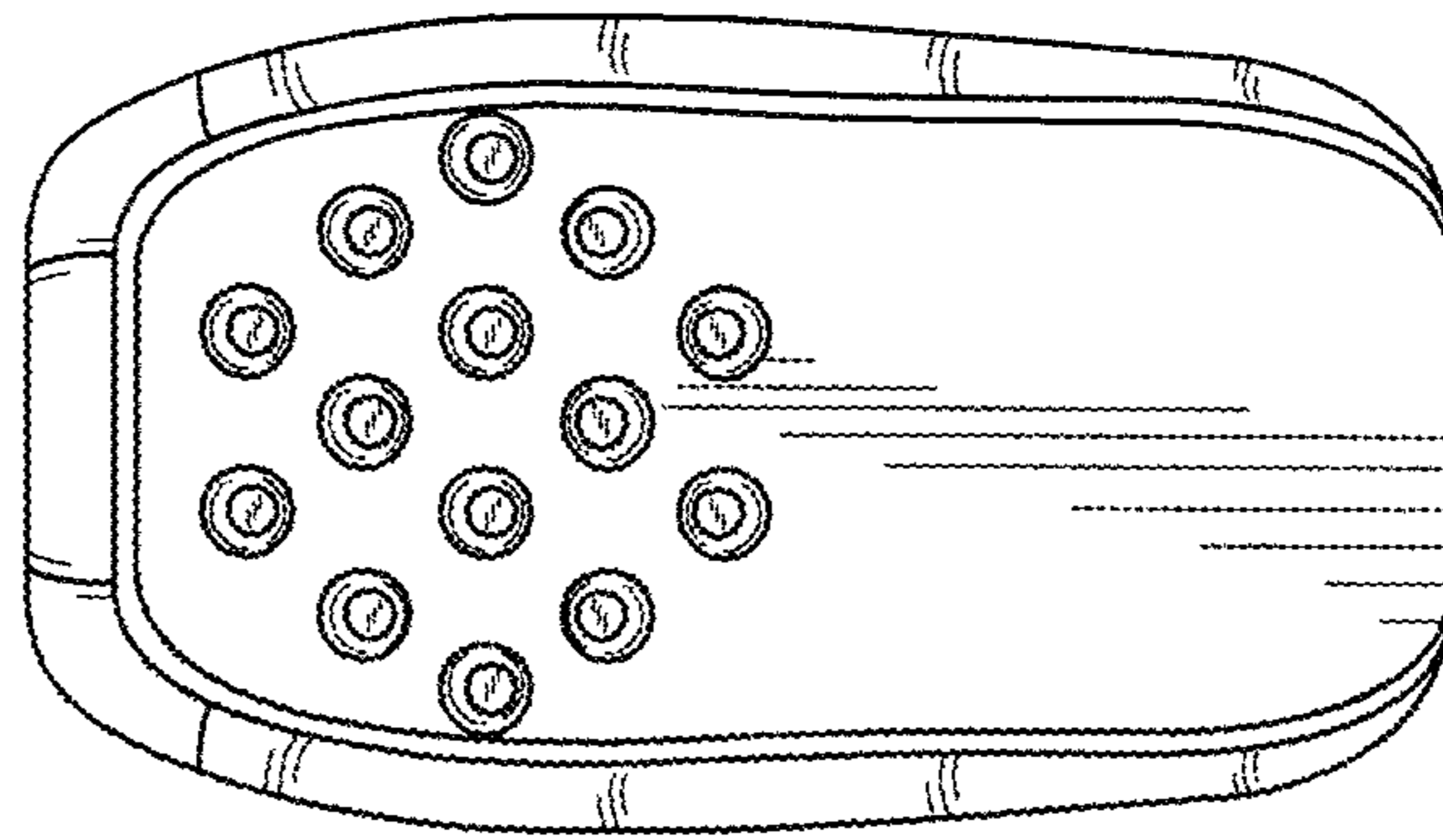


FIG. 7

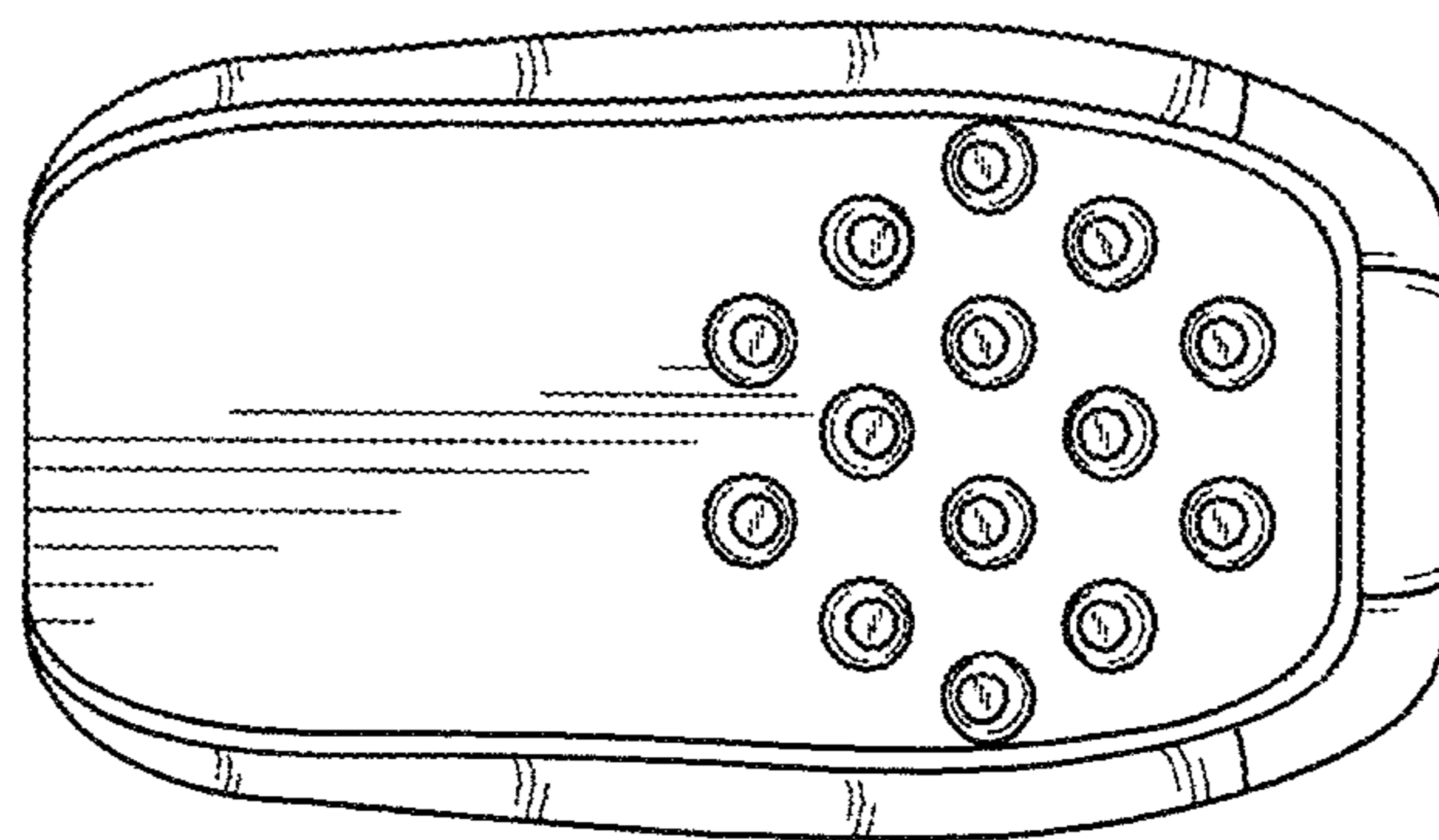


FIG. 8

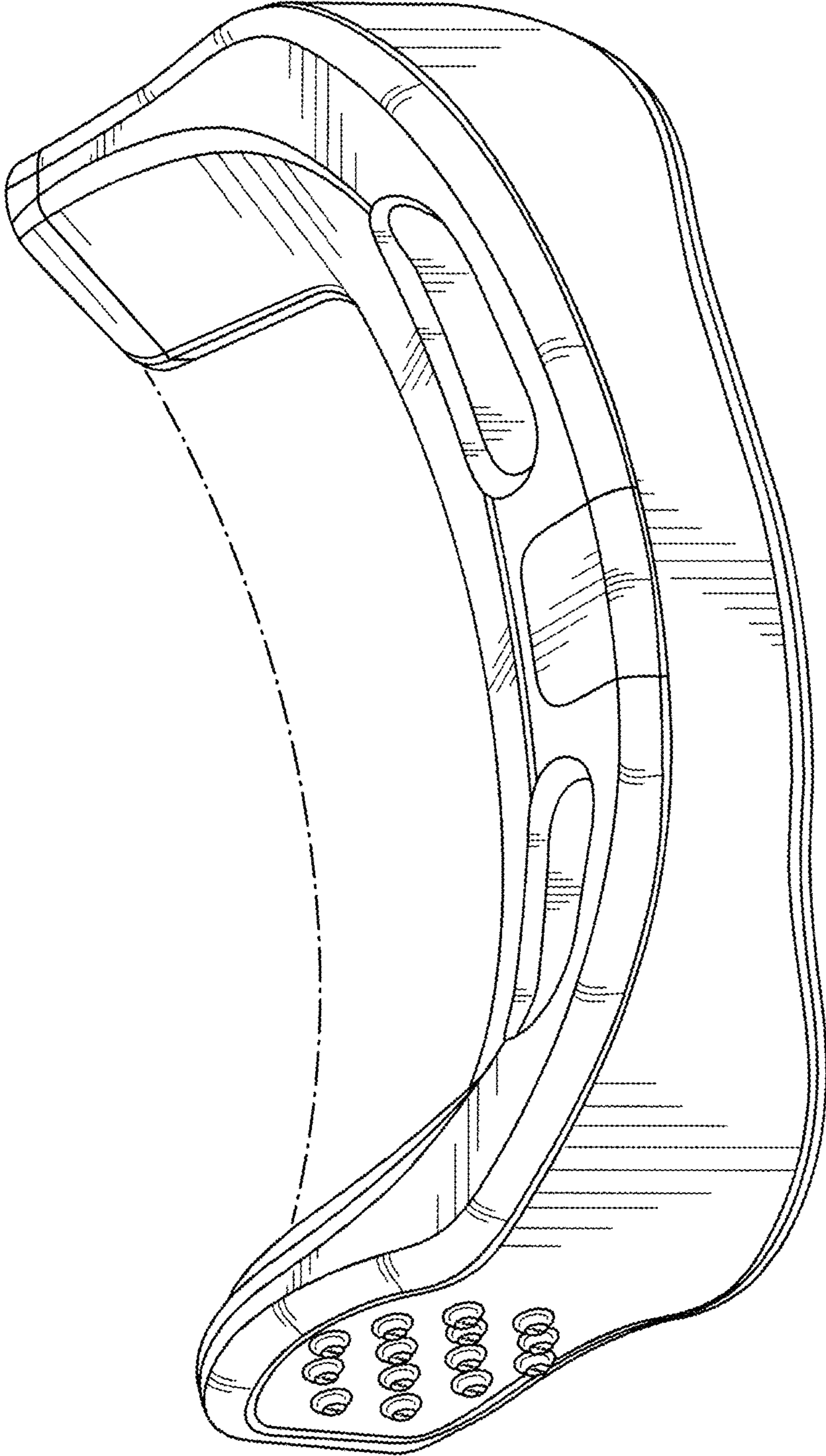


FIG. 9



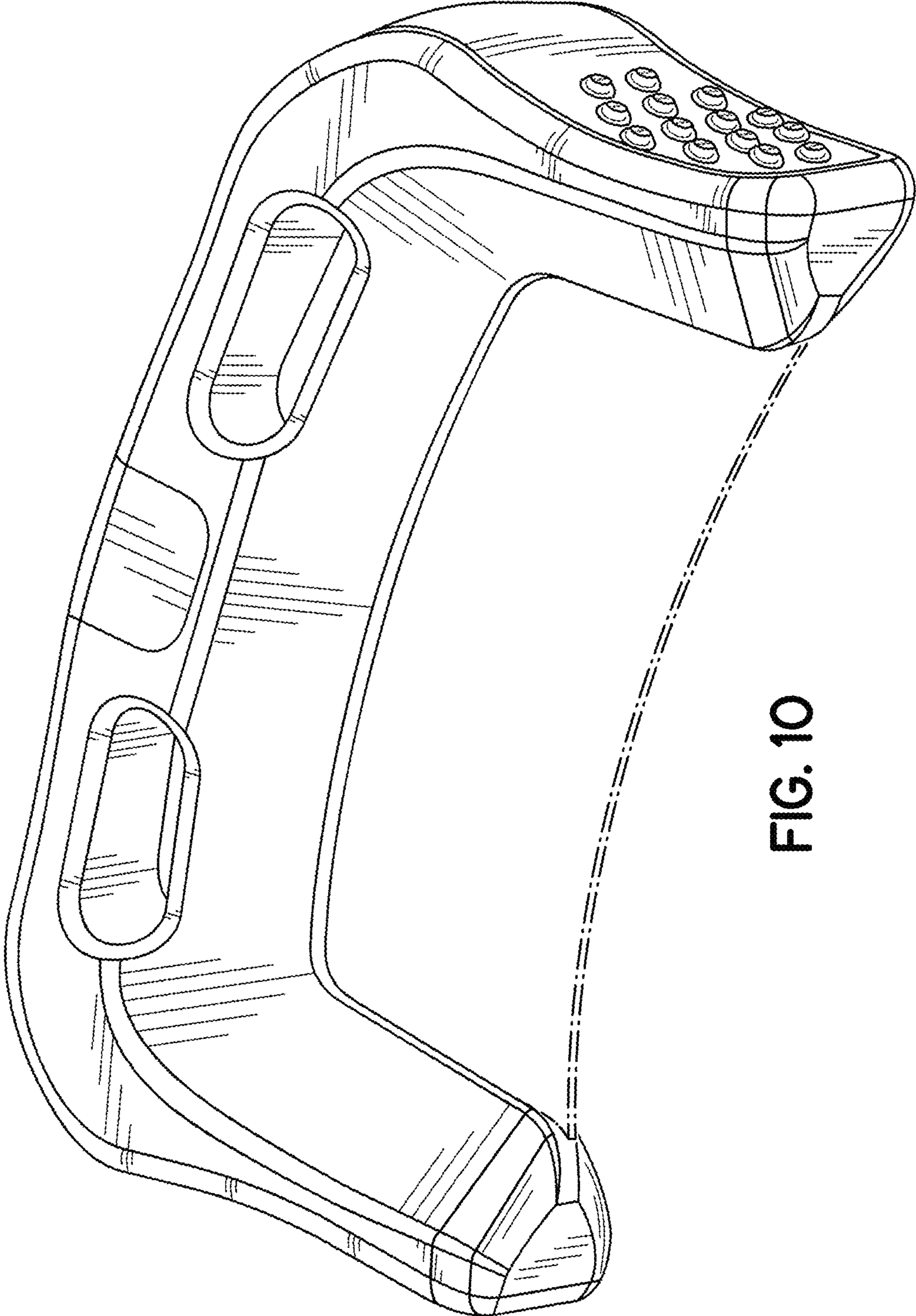


FIG. 10

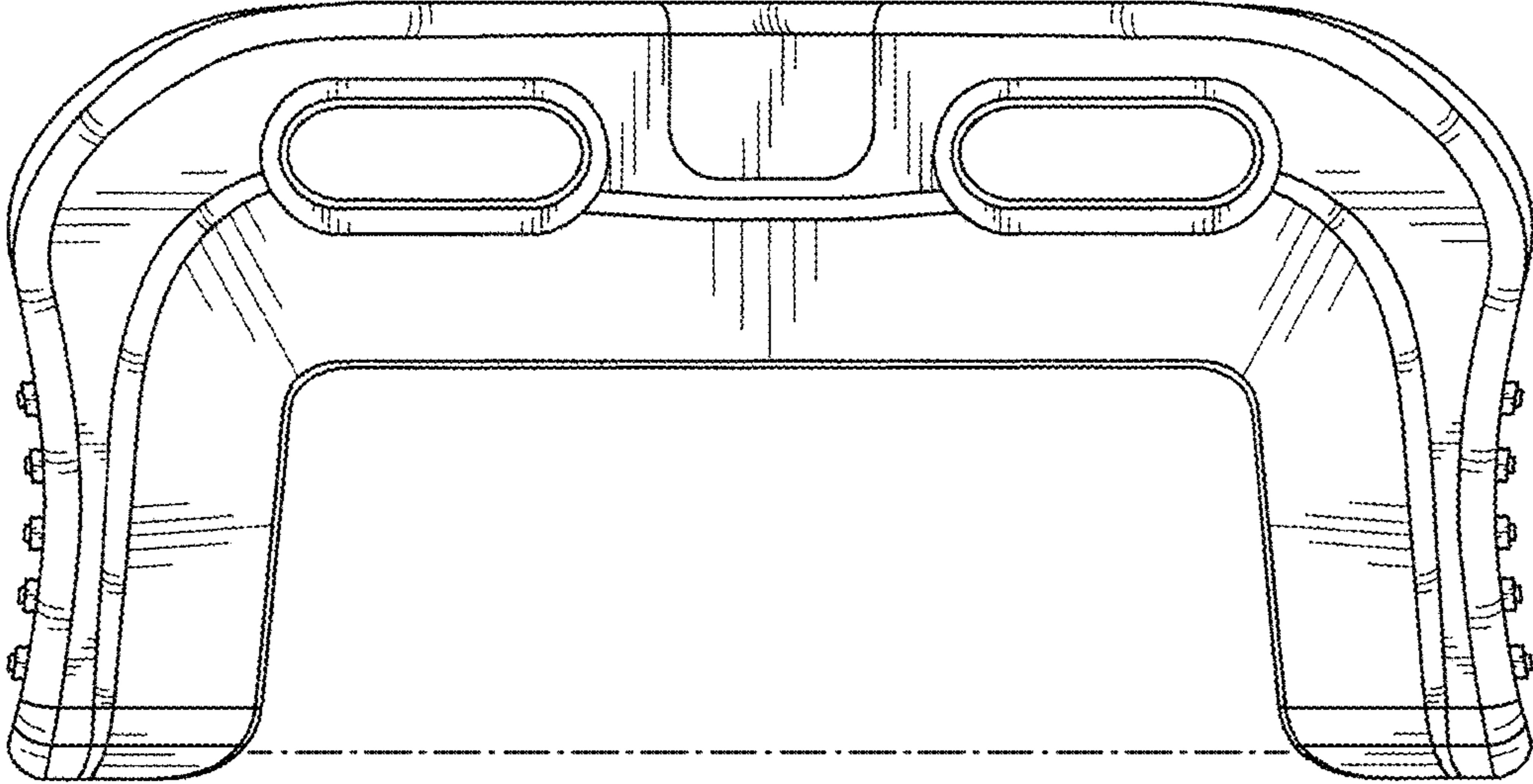


FIG. 11

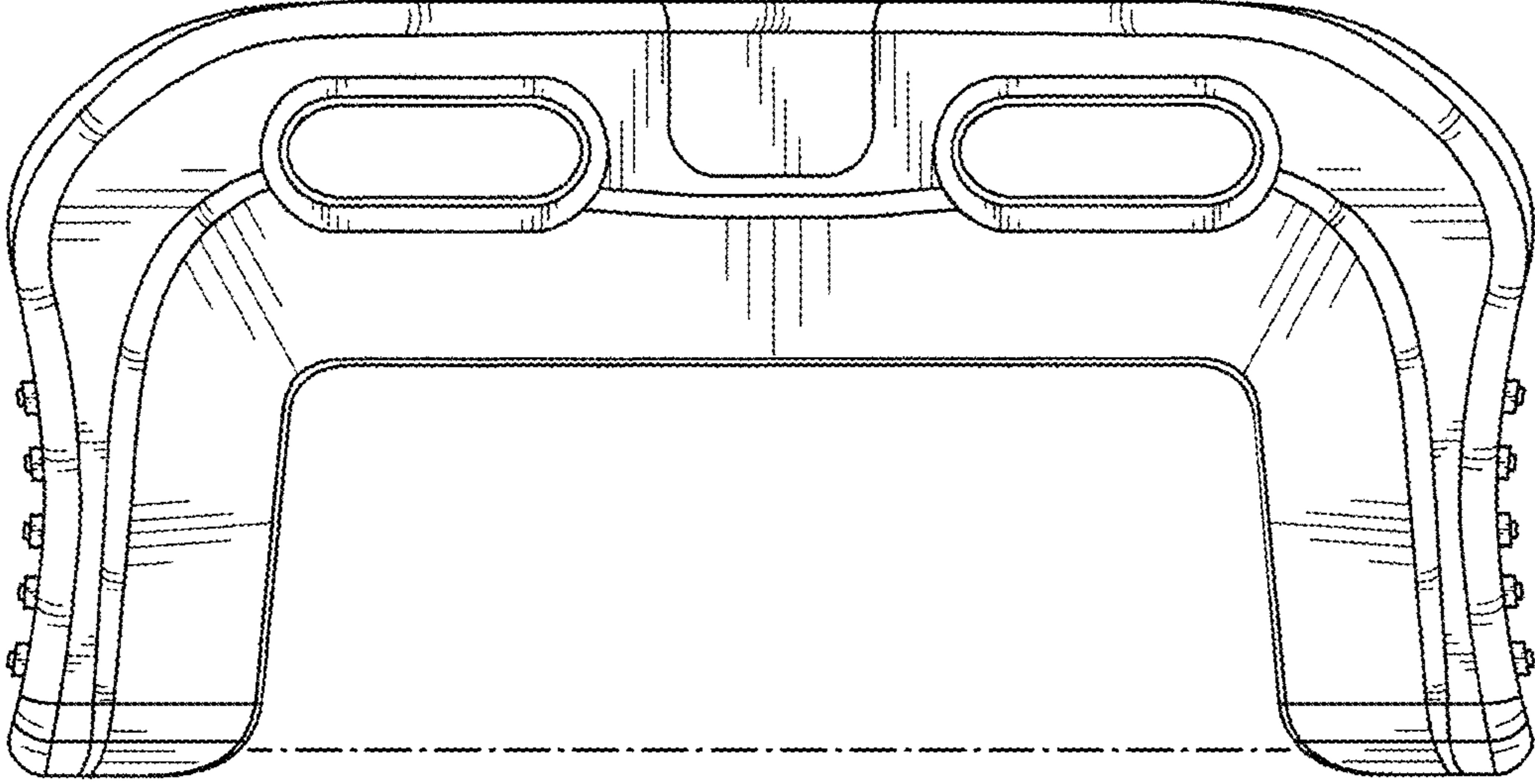


FIG. 12

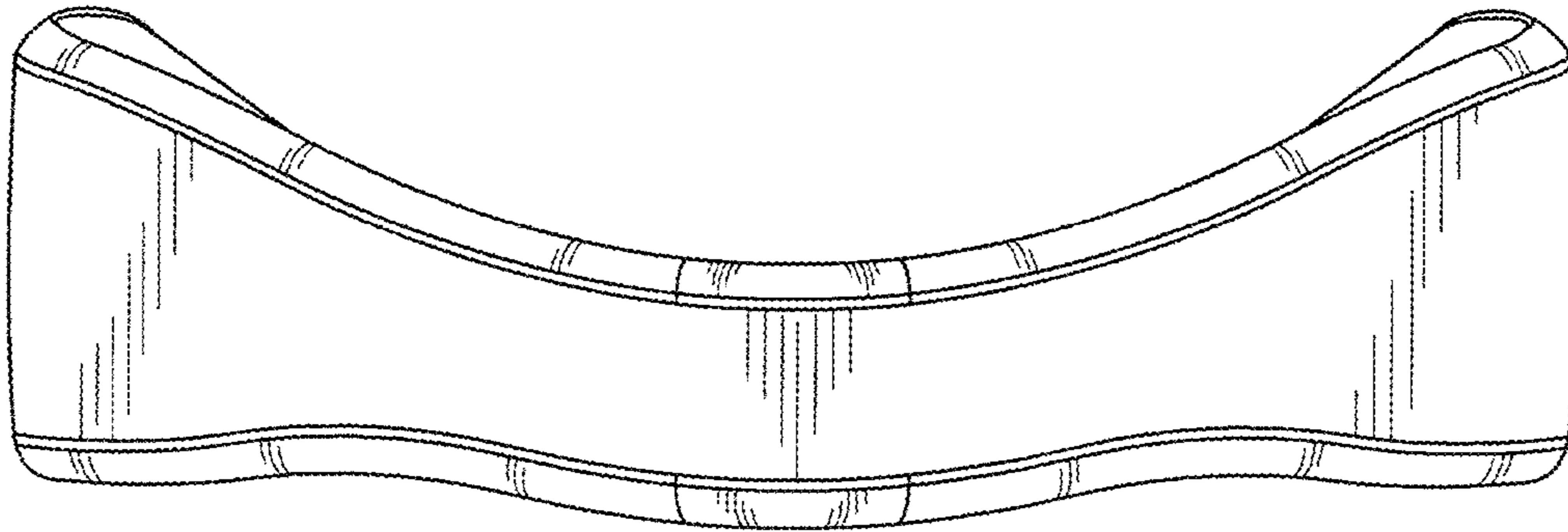


FIG. 13

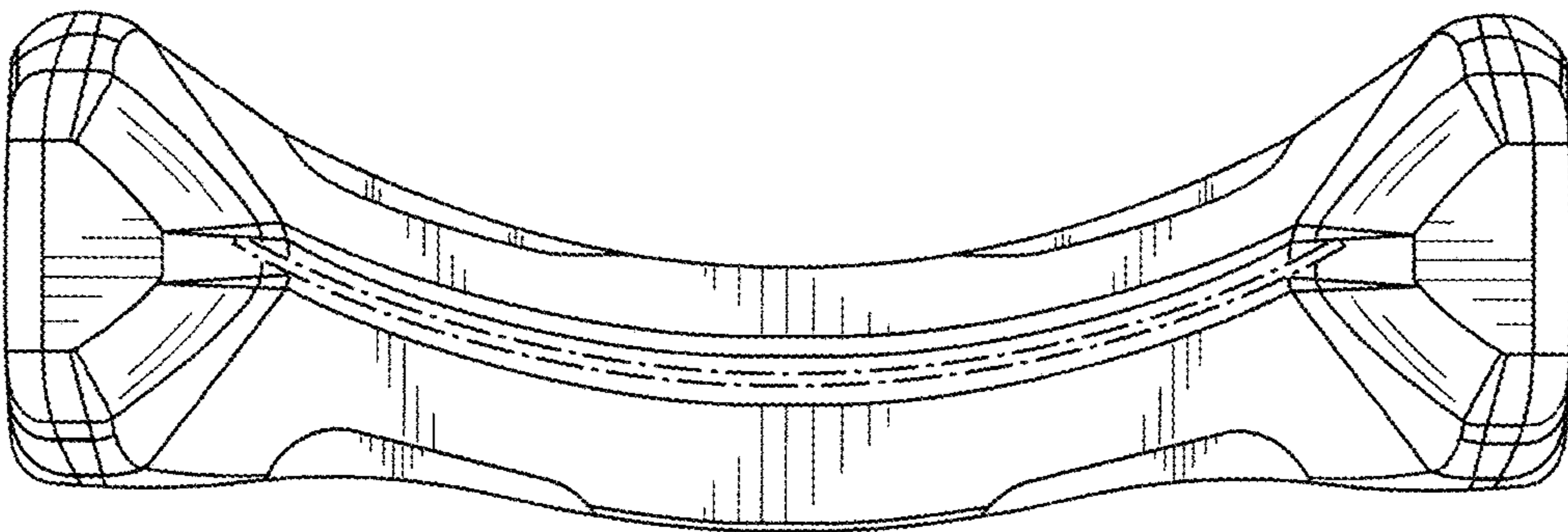


FIG. 14

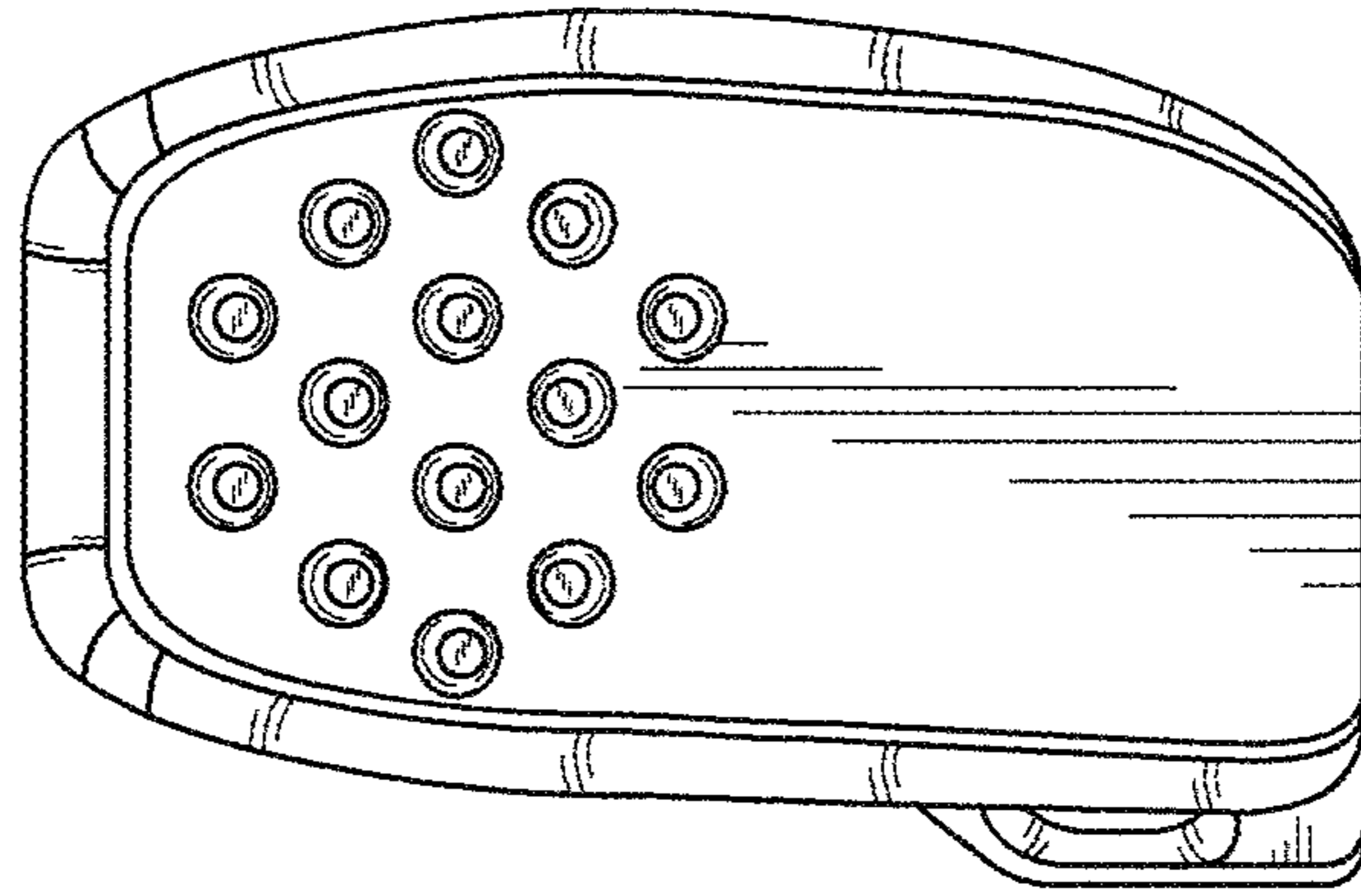


FIG. 15

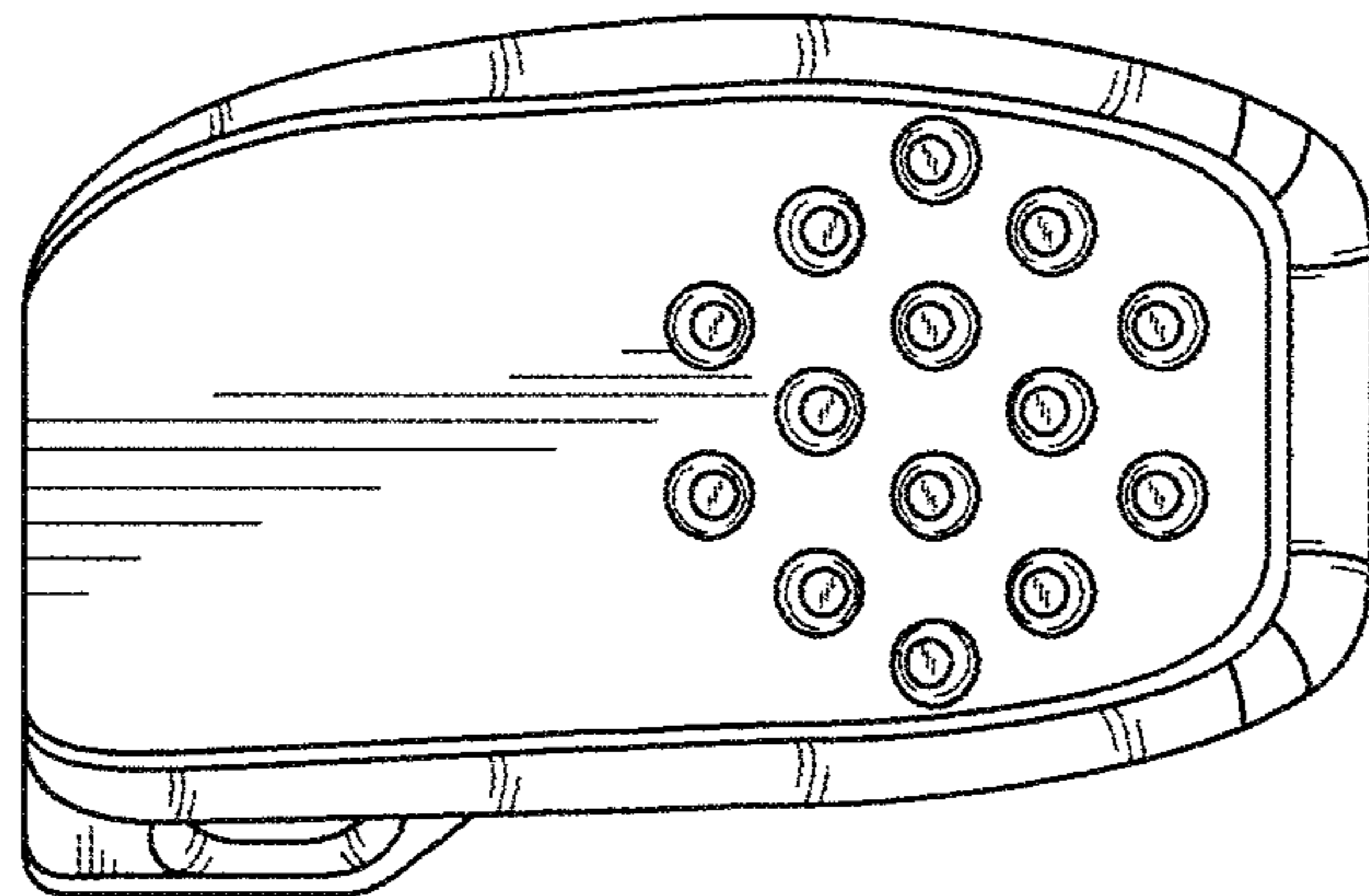


FIG. 16