



US00D779671S

(12) **United States Design Patent**
Fuchs

(10) **Patent No.:** **US D779,671 S**
(45) **Date of Patent:** **** Feb. 21, 2017**

- (54) **TROCAR**
- (71) Applicant: **Karl Storz GmbH & Co. KG,**
Tuttlingen (DE)
- (72) Inventor: **Alexander Fuchs,** Steisslingen (DE)
- (73) Assignee: **Karl Storz GmbH & Co. KG,**
Tuttlingen (DE)
- (**) Term: **15 Years**
- (21) Appl. No.: **29/530,550**
- (22) Filed: **Jun. 17, 2015**

- 5,865,812 A * 2/1999 Correia A61B 17/3498
604/167.01
 - 5,941,819 A 8/1999 Chin
 - 6,432,085 B1 * 8/2002 Stellon A61B 17/3421
604/164.04
 - D496,729 S * 9/2004 Pajunk D24/129
 - D496,998 S * 10/2004 Pajunk D24/129
 - D606,193 S * 12/2009 Oberlaender D24/146
 - D606,194 S * 12/2009 Frey D24/108
 - D607,103 S * 12/2009 Ulrich D24/146
 - 7,637,896 B2 * 12/2009 Voegele A61B 17/34
604/264
 - 8,206,411 B2 * 6/2012 Thompson A61B 17/3462
600/184
 - 8,348,968 B2 * 1/2013 Smith A61B 17/34
606/185
 - D676,553 S * 2/2013 Becker D24/146
- (Continued)

(30) **Foreign Application Priority Data**

- Dec. 19, 2014 (EM) 002601666-0004
- (51) **LOC (10) Cl.** **24-02**
- (52) **U.S. Cl.**
USPC **D24/147**
- (58) **Field of Classification Search**
USPC D24/133, 140, 146, 147, 145;
604/164.165, 167, 167.04, 167.07, 158,
604/256, 264; 600/566, 567, 568;
606/167, 170, 184-185
CPC A61B 17/3421; A61B 2017/345;
A61B 2017/3452; A61B
2017/3437; A61B 17/34; A61B
2017/3407; A61B 2017/3409
See application file for complete search history.

(56) **References Cited**

U.S. PATENT DOCUMENTS

- 1,798,124 A 3/1931 Nunn
- 4,487,209 A * 12/1984 Mehl A61B 10/025
600/567
- 5,505,689 A 4/1996 Kramer et al.
- 5,772,678 A * 6/1998 Thomason A61B 17/3417
604/164.1

FOREIGN PATENT DOCUMENTS

- DE 102009014525 A1 9/2010
- WO 2010136805 A1 12/2010

Primary Examiner — Lakiya Rogers
Assistant Examiner — Carissa C Fitts
 (74) *Attorney, Agent, or Firm* — Whitmyer IP Group LLC

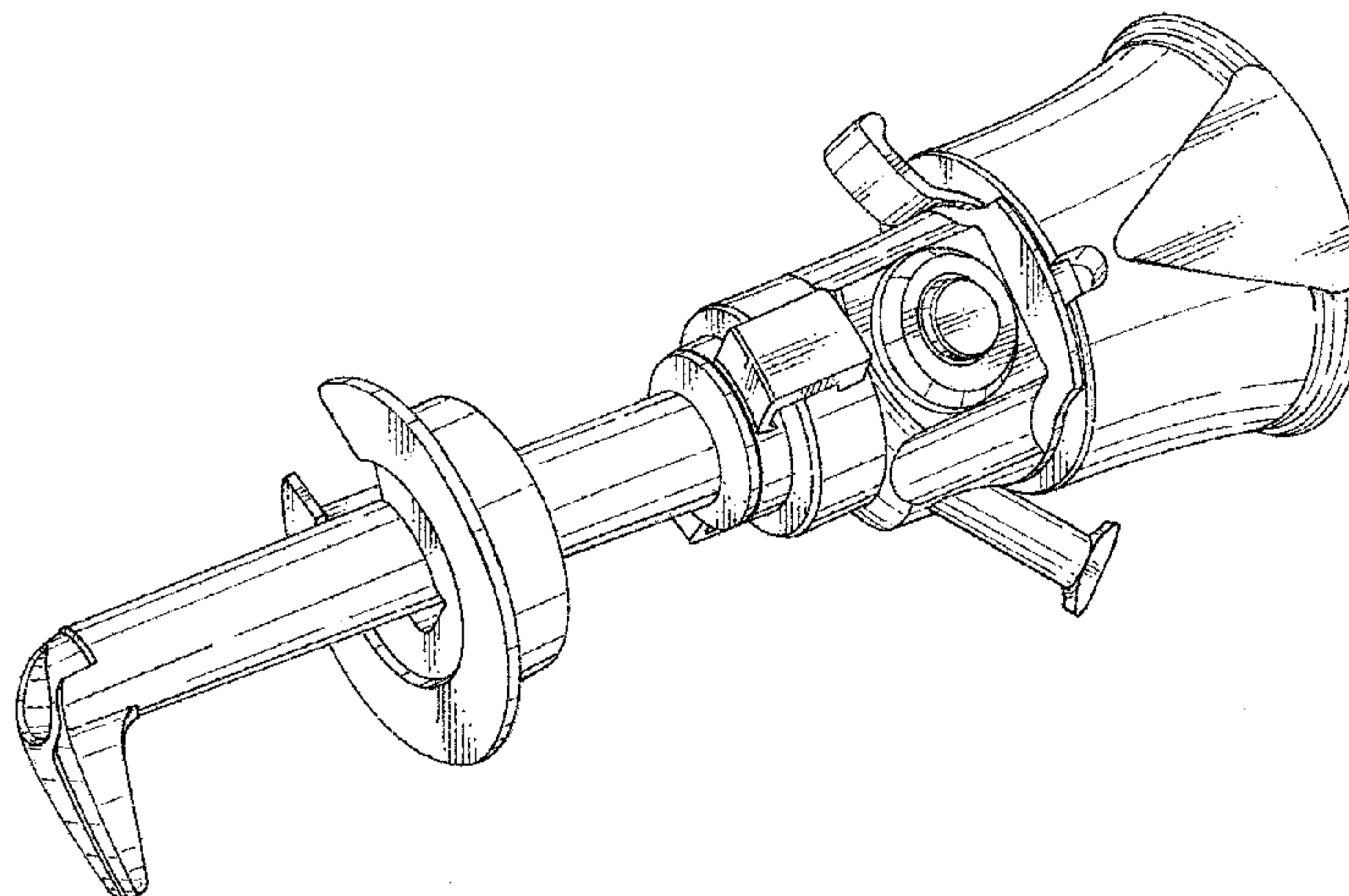
(57) **CLAIM**

The ornamental design for a trocar, as shown and described.

DESCRIPTION

FIG. 1 is a front side top isometric view of a trocar in accordance with the new design;
 FIG. 2 is a top plan view thereof;
 FIG. 3 is a left side elevational view thereof;
 FIG. 4 is a bottom plan view thereof;
 FIG. 5 is a right side elevational view thereof;
 FIG. 6 is a rear elevational view thereof; and,
 FIG. 7 is a front elevational view thereof.
 The broken lines shown in FIGS. 3 and 6 represent portions of the article which are not claimed. The broken lines form no part of the claimed design.

1 Claim, 7 Drawing Sheets



(56)

References Cited

U.S. PATENT DOCUMENTS

D713,033	S	*	9/2014	Sauer	D24/146
D736,373	S	*	8/2015	Weishaupt	D24/146
2002/0042606	A1		4/2002	Castaneda et al.	
2005/0273132	A1		12/2005	Shluzas et al.	
2007/0162066	A1		7/2007	Lyon	
2008/0234550	A1		9/2008	Hawkes et al.	
2008/0242930	A1		10/2008	Hanypsiak et al.	
2012/0010471	A1		1/2012	Mire et al.	
2013/0030457	A1		1/2013	Tan et al.	

* cited by examiner

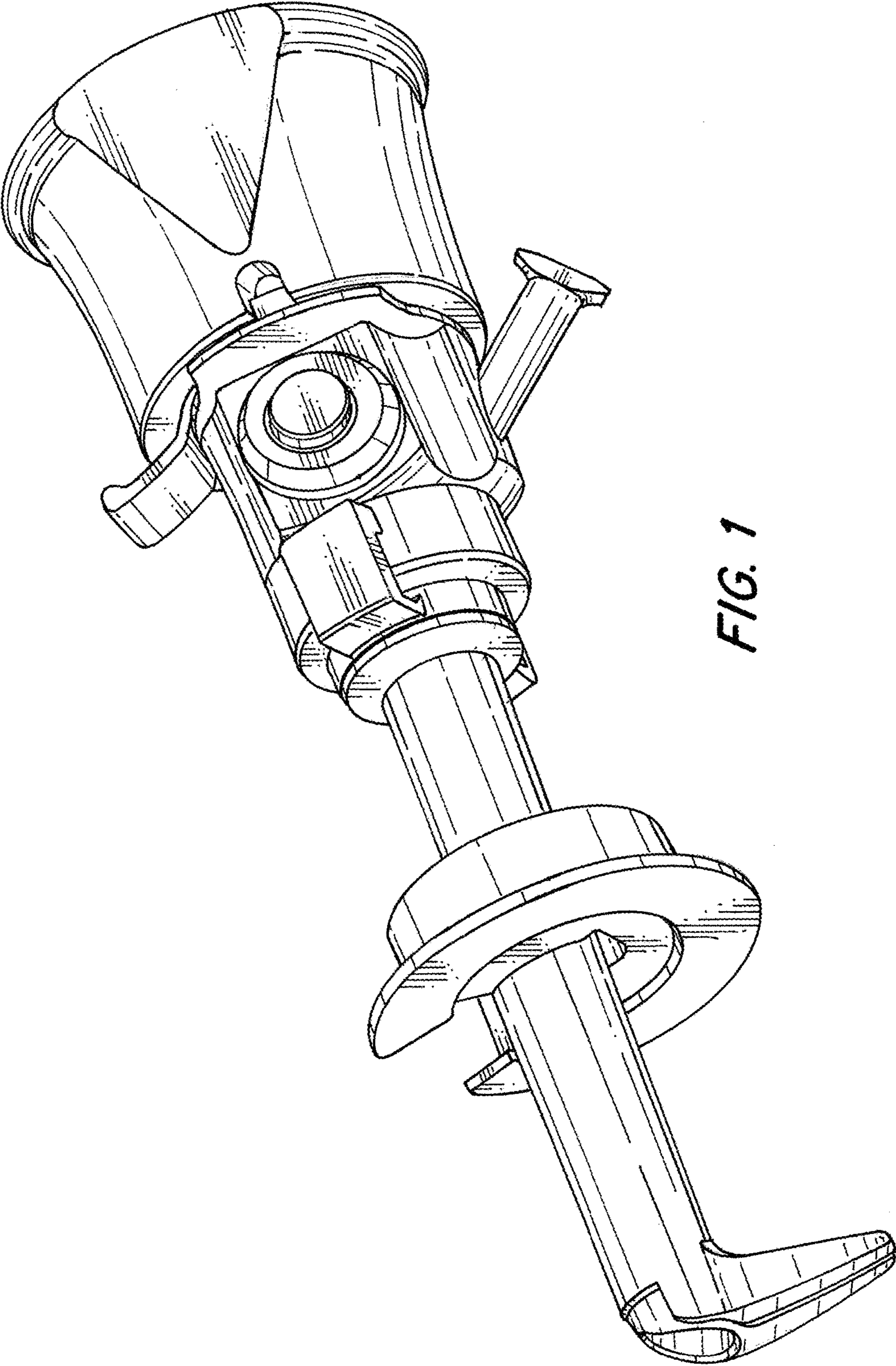


FIG. 1

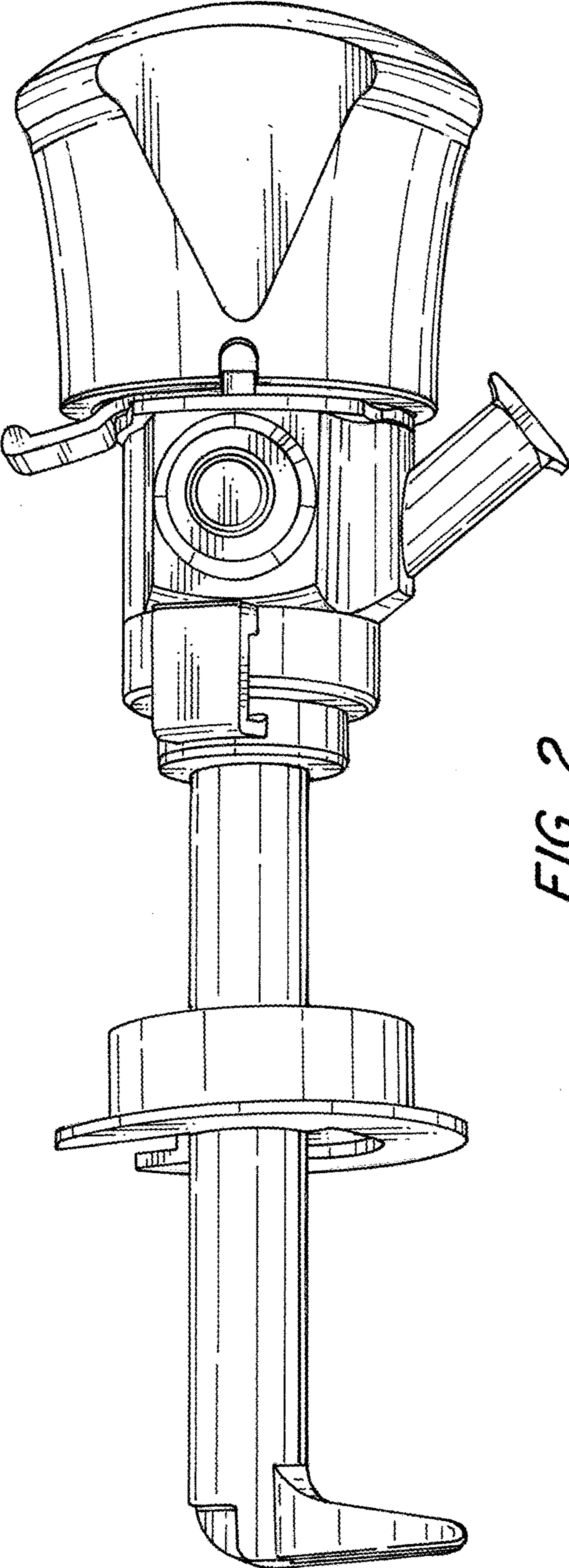


FIG. 2

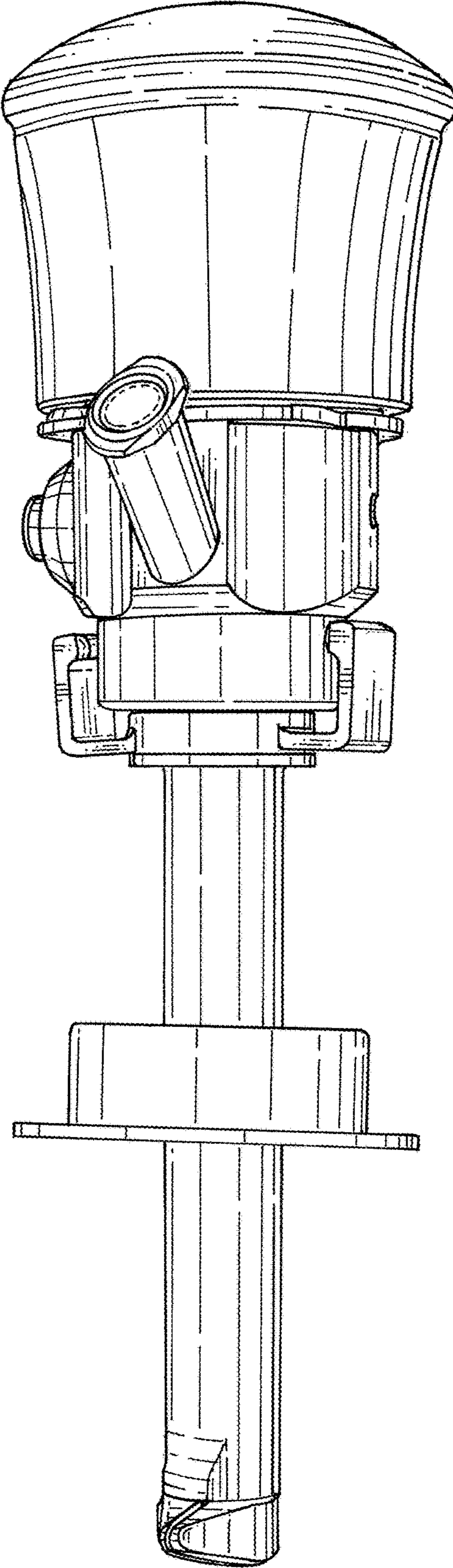


FIG. 3

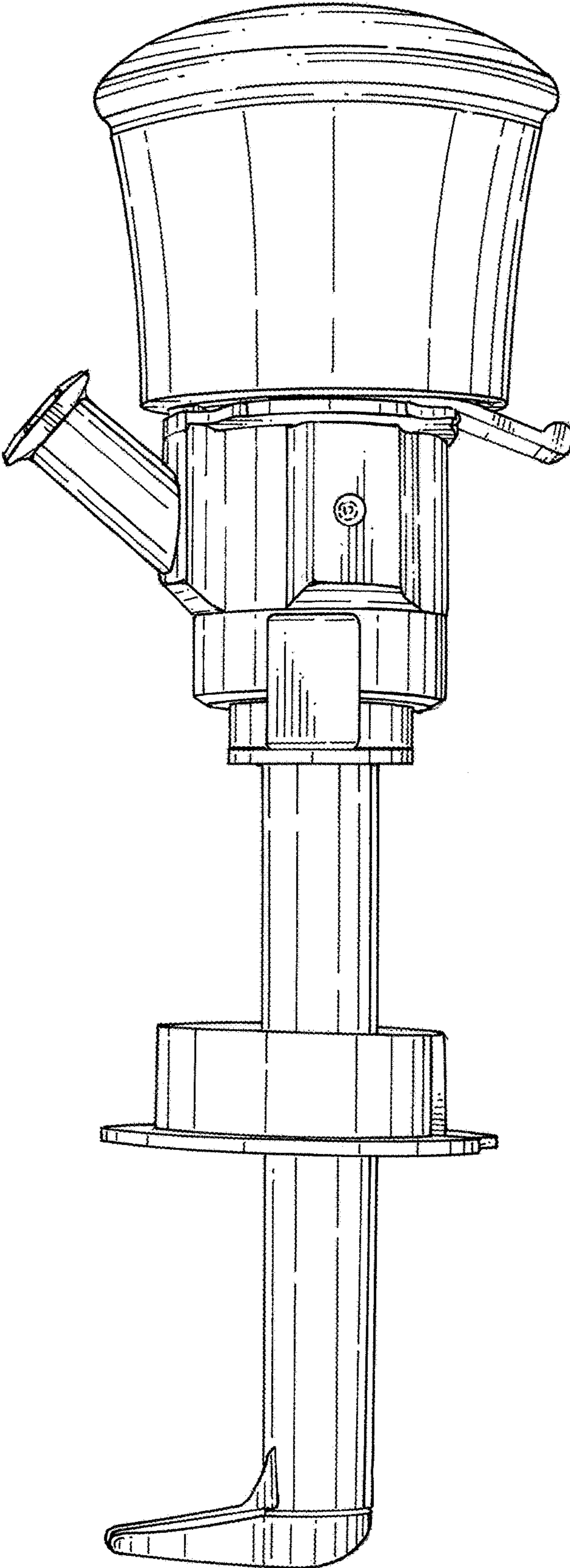


FIG. 4

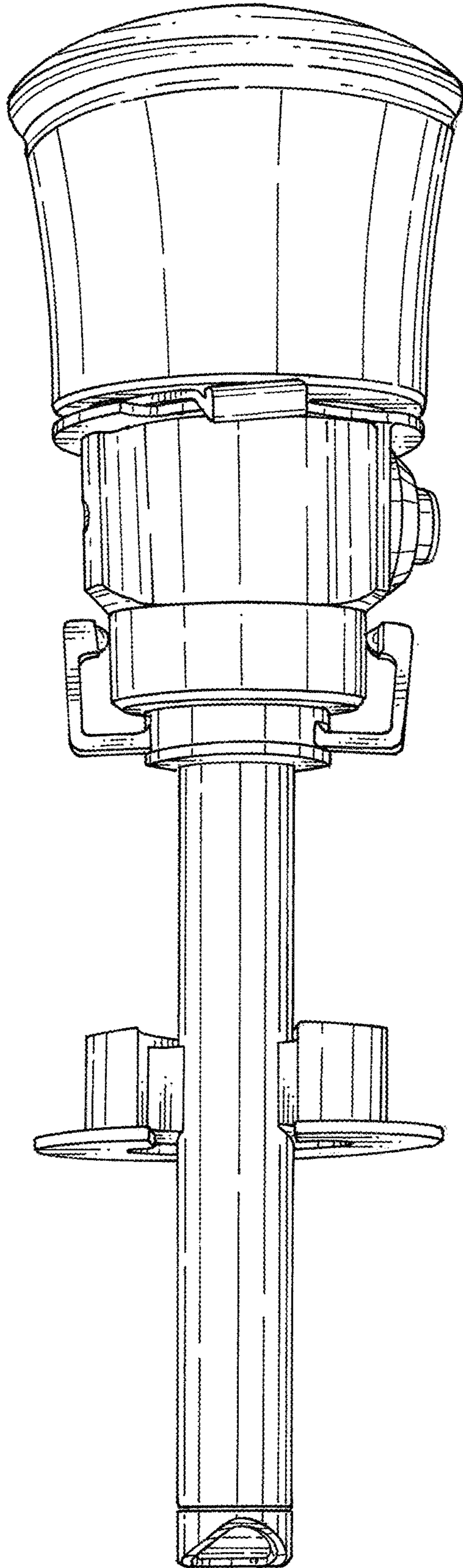


FIG. 5

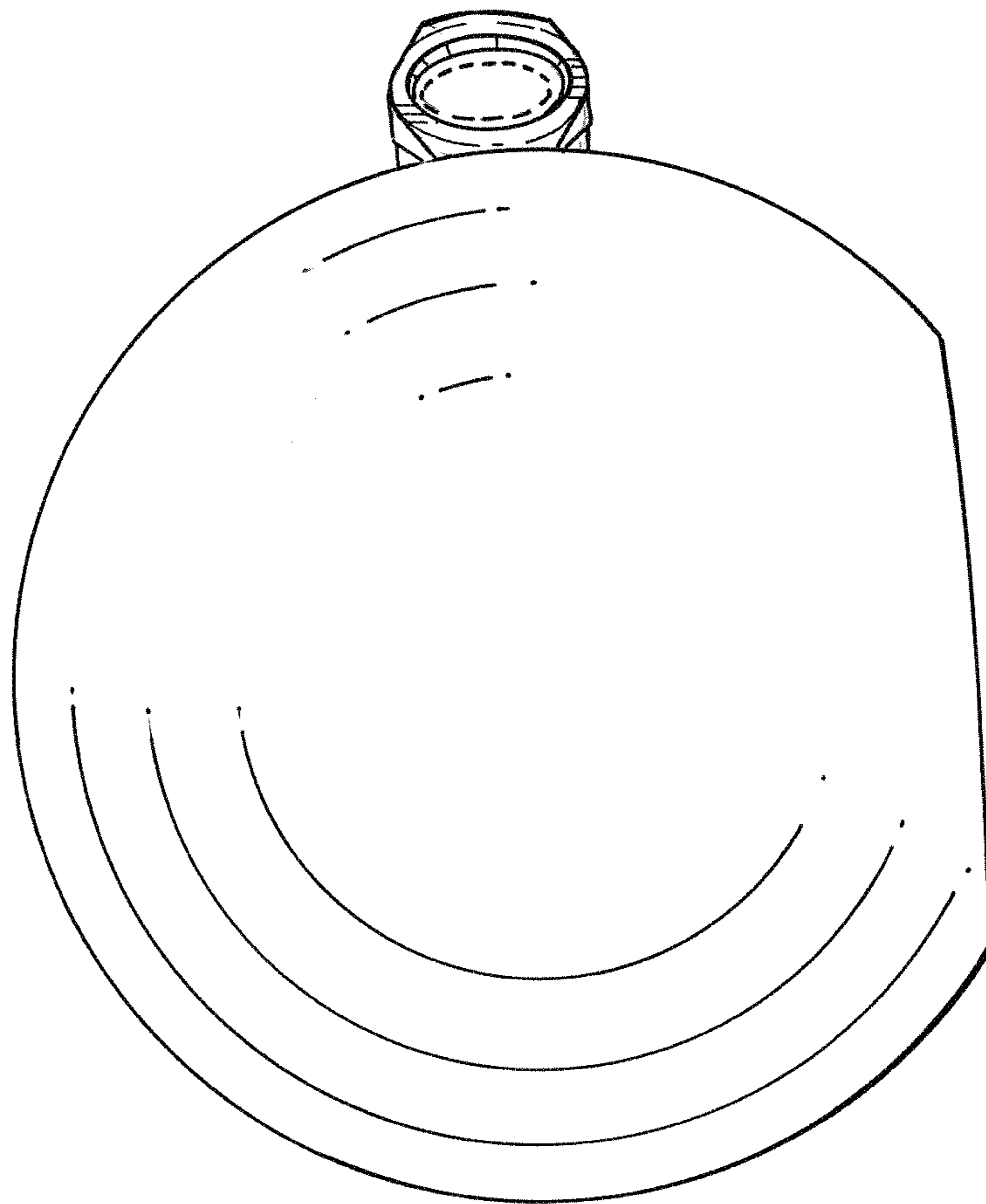


FIG. 6

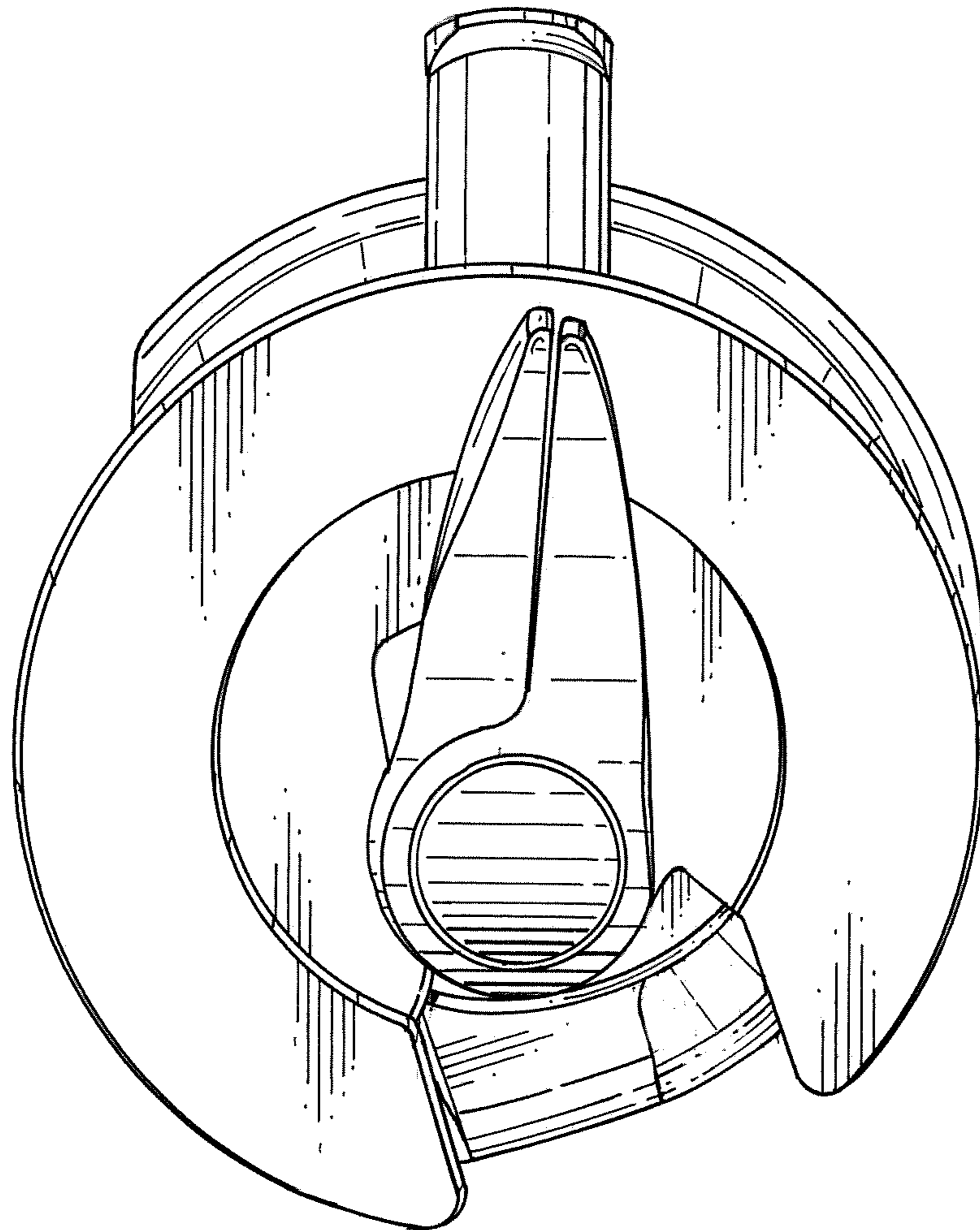


FIG. 7