



US00D779670S

(12) **United States Design Patent** (10) **Patent No.:** **US D779,670 S**
Krystyniak et al. (45) **Date of Patent:** **** Feb. 21, 2017**

(54) **ABRASION DEVICE WITH ABRASIVE TIP**

(71) Applicant: **Echo Therapeutics, Inc.**, Iselin, NJ (US)
(72) Inventors: **Keith E. Krystyniak**, Chelmsford, MA (US); **Stephen J. Perry**, Shirley, MA (US)
(73) Assignee: **Echo Therapeutics, Inc.**, Iselin, NJ (US)
(**) Term: **15 Years**

(21) Appl. No.: **29/530,275**
(22) Filed: **Jun. 15, 2015**
(51) **LOC (10) Cl.** **24-02**
(52) **U.S. Cl.**
USPC **D24/146**
(58) **Field of Classification Search**
USPC D8/61, 62, 67, 69; D28/53, 54; 81/57, 81/57.11, 57.14, 57.26; 173/2, 170, 176, 173/181
See application file for complete search history.

(56) **References Cited**

U.S. PATENT DOCUMENTS

5,525,889 A	6/1996	Chan	
D470,374 S	2/2003	Murray	
D474,086 S	5/2003	Heun	
D484,022 S	12/2003	Tsai	
D493,532 S	7/2004	Levaughn	
D531,472 S	11/2006	Schiller	
D533,274 S	12/2006	Visconti	
D556,000 S	11/2007	Singh	
D560,805 S *	1/2008	Young D24/146
D565,916 S	4/2008	Chen	
D569,205 S	5/2008	Lai	

(Continued)

OTHER PUBLICATIONS

U.S. Appl. No. 29/455,628, filed May 22, 2015, Vaccarella.

(Continued)

Primary Examiner — Garth Rademaker
Assistant Examiner — Samantha Q Lawrence
(74) *Attorney, Agent, or Firm* — Pabst Patent Group LLP

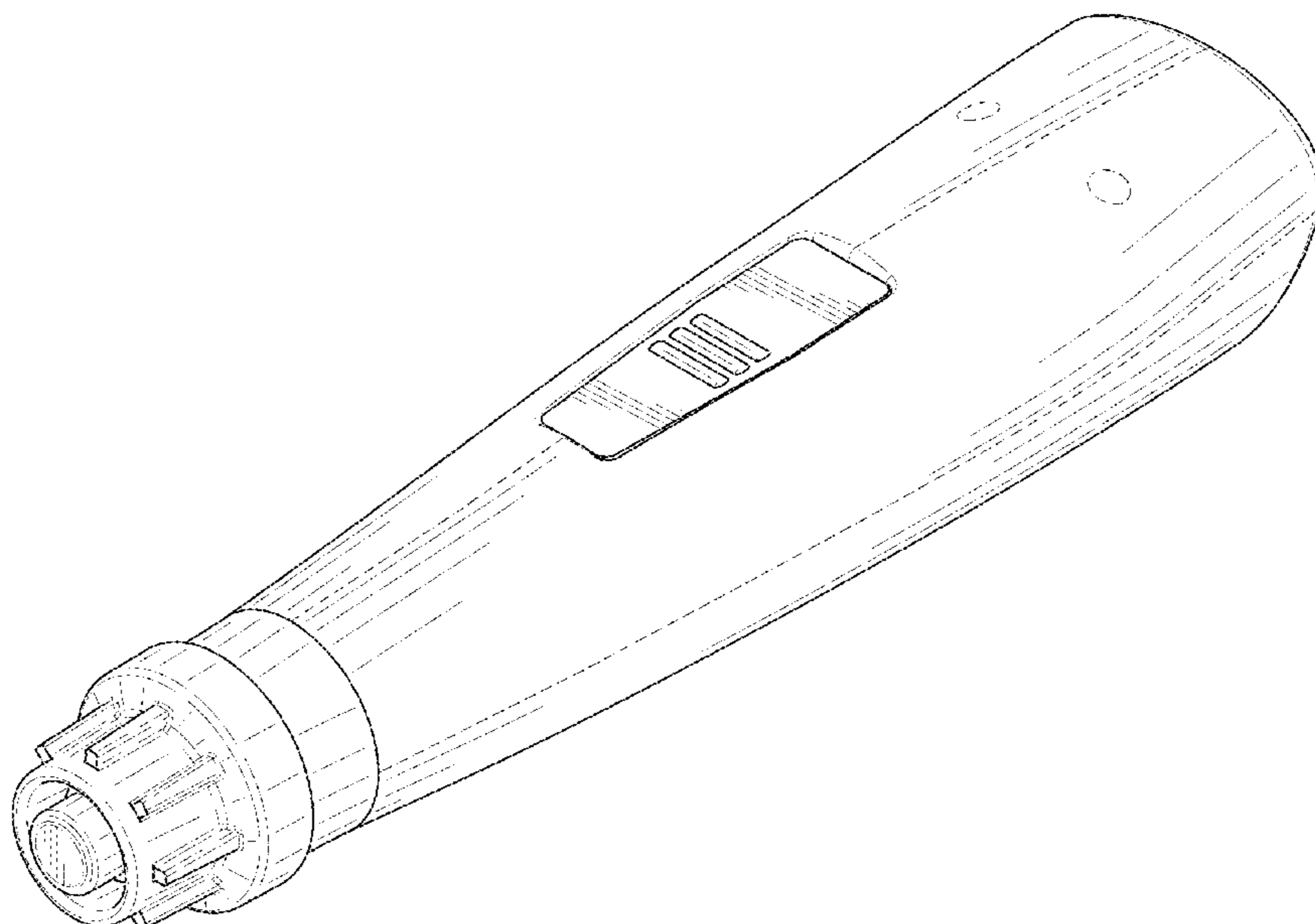
(57) **CLAIM**

We claim the ornamental design for an abrasion device with abrasive tip, as shown and described.

DESCRIPTION

FIG. 1 is an isometric view of an abrasion device with abrasive tip with the tip removed for ease of illustration; FIG. 2 is a side elevation view, the opposite side elevation being a mirror image thereof; FIG. 3 is a top elevation view; FIG. 4 is a bottom elevation view; FIG. 5 is a back elevation view; FIG. 6 is a front elevation view; FIG. 7 is an isometric view of the tip of the abrasion device with abrasive tip with other portions of the device not shown for ease of illustration; FIG. 8 is a side elevation view; the opposite side, front and back elevations being mirror images thereof; FIG. 9 is a top elevation view; FIG. 10 is a bottom elevation view; FIG. 11 is an isometric view of an abrasion device with abrasive tip shown fully assembled; and, FIG. 12 is a side elevation view, the opposite side elevation being a mirror image thereof. The broken lines shown in FIGS. 1-6 and 11-12 illustrate portions of the abrasion device with abrasive tip that form no part of the claimed design.

1 Claim, 7 Drawing Sheets



(56)

References Cited

U.S. PATENT DOCUMENTS

D586,195 S 2/2009 Okuda
 D586,465 S * 2/2009 Faulkner D24/146
 D590,502 S 4/2009 Geisser
 D593,387 S 6/2009 Liao
 D618,079 S 6/2010 Blythe
 D621,042 S 8/2010 Ruf
 D625,818 S 10/2010 Khalil
 D628,293 S 11/2010 Ruf
 D628,695 S 12/2010 Ruf
 D631,960 S 2/2011 Myers
 D634,426 S * 3/2011 Zollers D24/147
 D641,222 S 7/2011 Molina
 D650,860 S 12/2011 Wu
 D657,646 S 4/2012 Schoch
 D663,180 S 7/2012 Jerome
 D677,540 S 3/2013 Meyers
 8,398,664 B2 * 3/2013 Lamps A61B 5/1411
 606/181
 D689,354 S 9/2013 Mitchell

D719,651 S 12/2014 Hoffmann
 D736,374 S * 8/2015 Murakami D24/146
 D740,422 S * 10/2015 Herfort D24/147
 2005/0125017 A1 * 6/2005 Kudrna A61B 5/15053
 606/181
 2006/0100655 A1 * 5/2006 Leong A61B 5/15186
 606/181
 2008/0173406 A1 * 7/2008 Wu B65H 37/007
 156/540
 2010/0042129 A1 * 2/2010 Curry A61B 5/150022
 606/181

OTHER PUBLICATIONS

Greenemeier, "This really won't hurt a bit: Wireless sensor promises diabetics noninvasive blood sugar readings", Scientific American, published Mar. 31, 2010, <http://www.scientificamerican.com/article.cfm?id=wireless-blood-glucose-diabetes>, accessed Apr. 1, 2011.

* cited by examiner

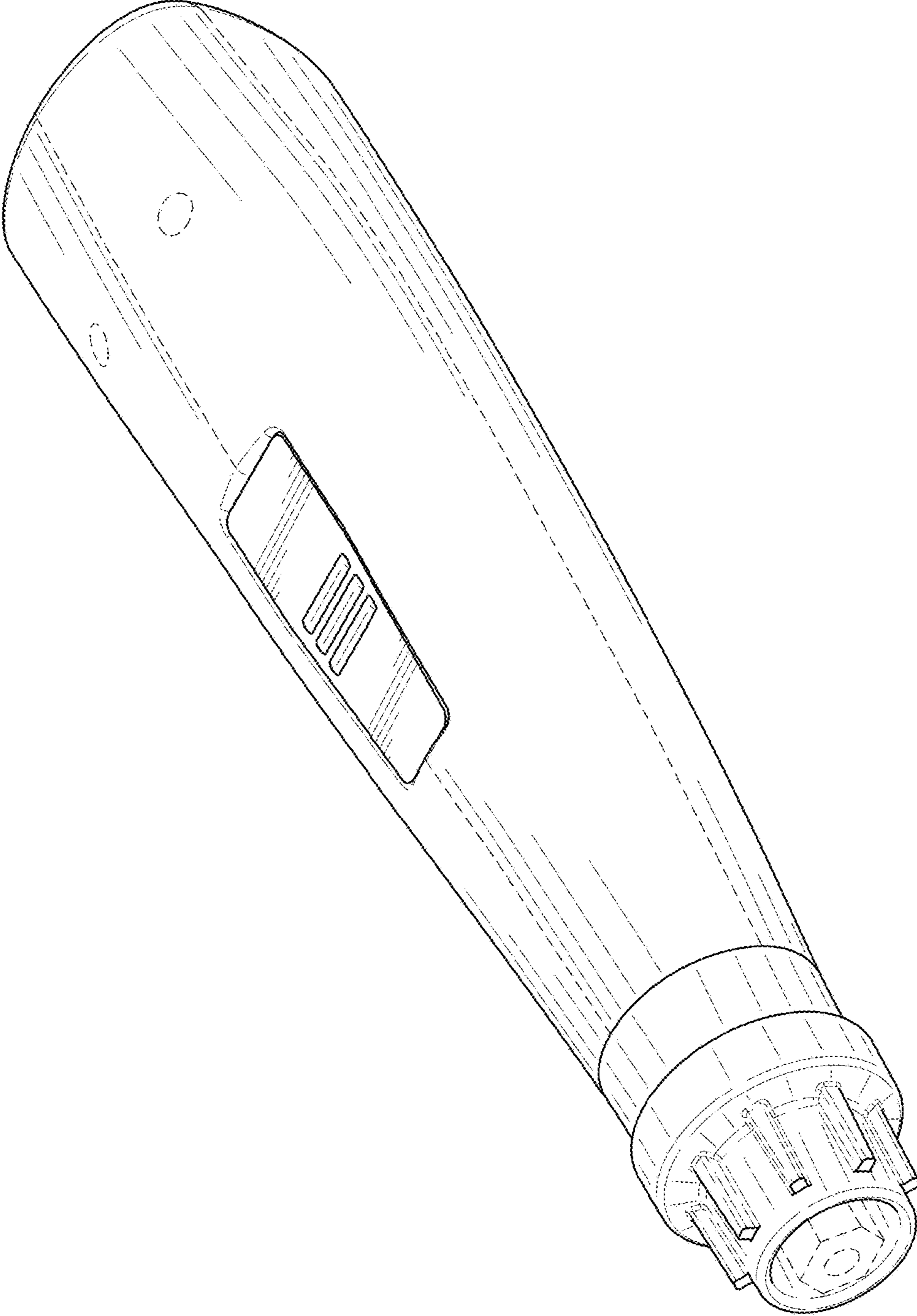


FIG. 1

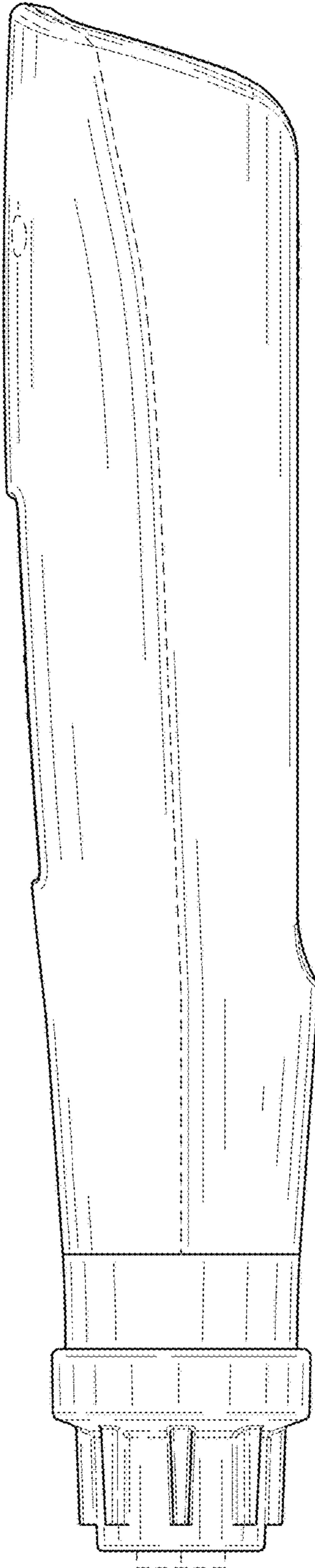


FIG. 2

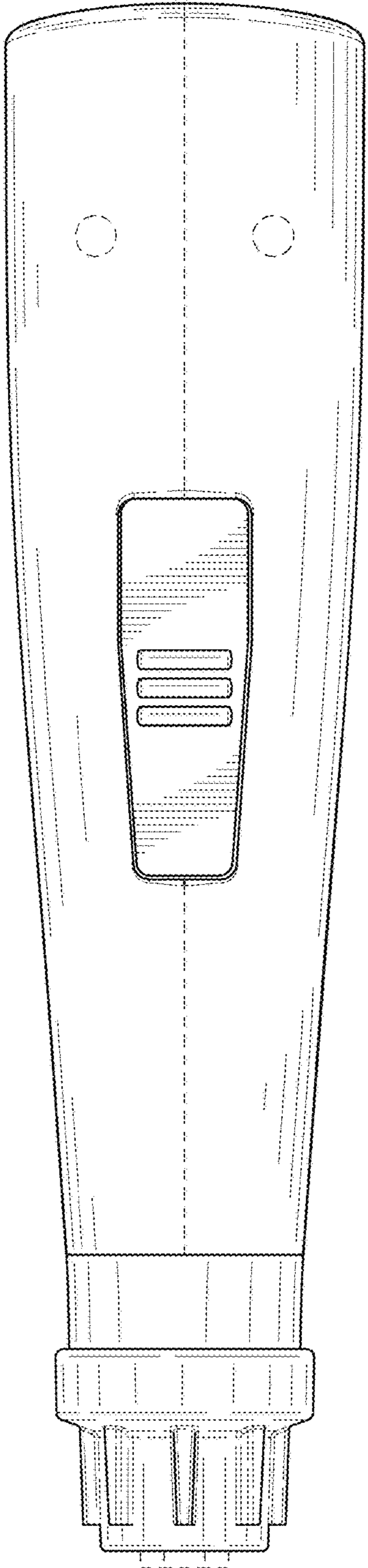


FIG. 3

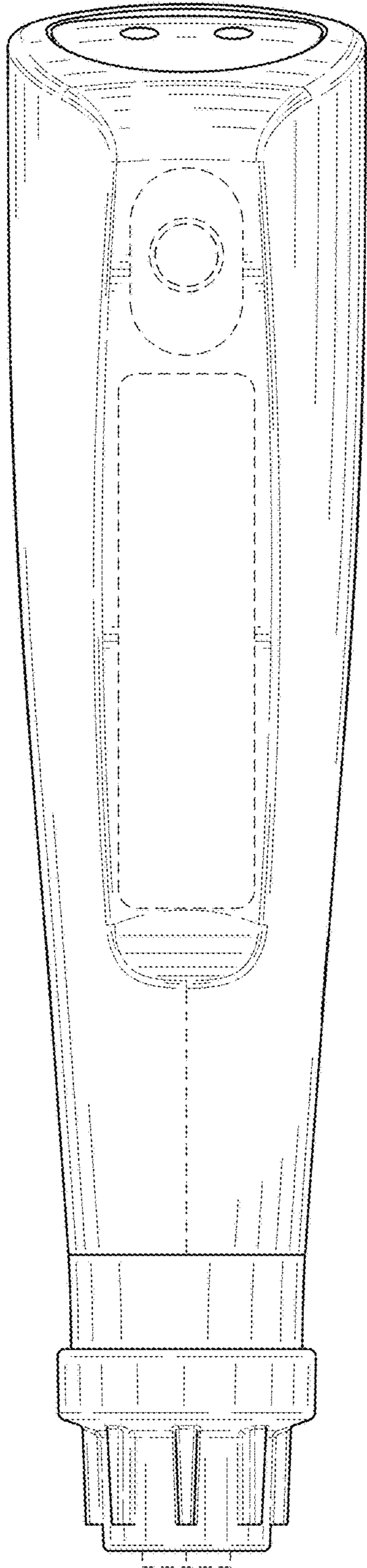


FIG. 4

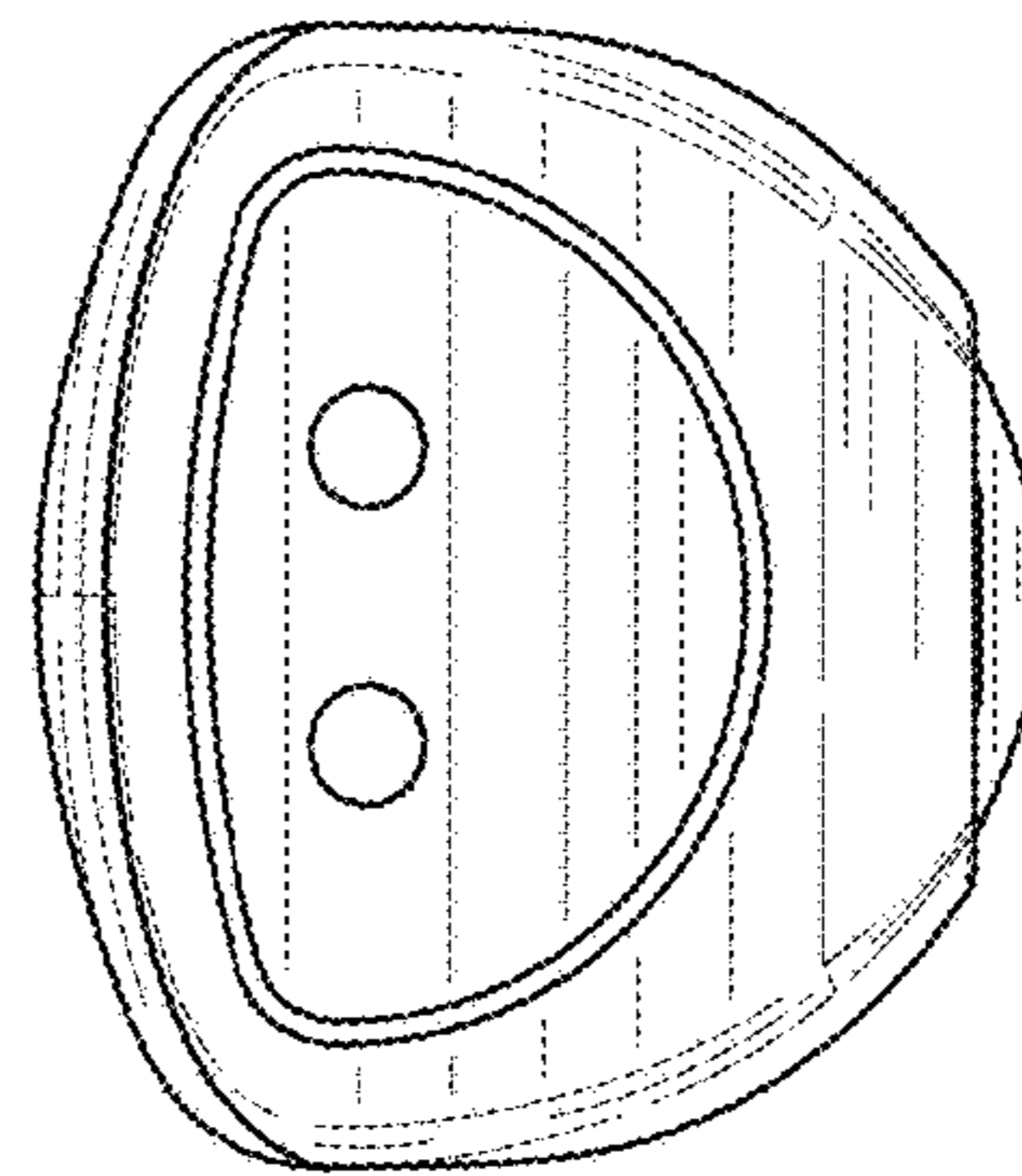


FIG. 5

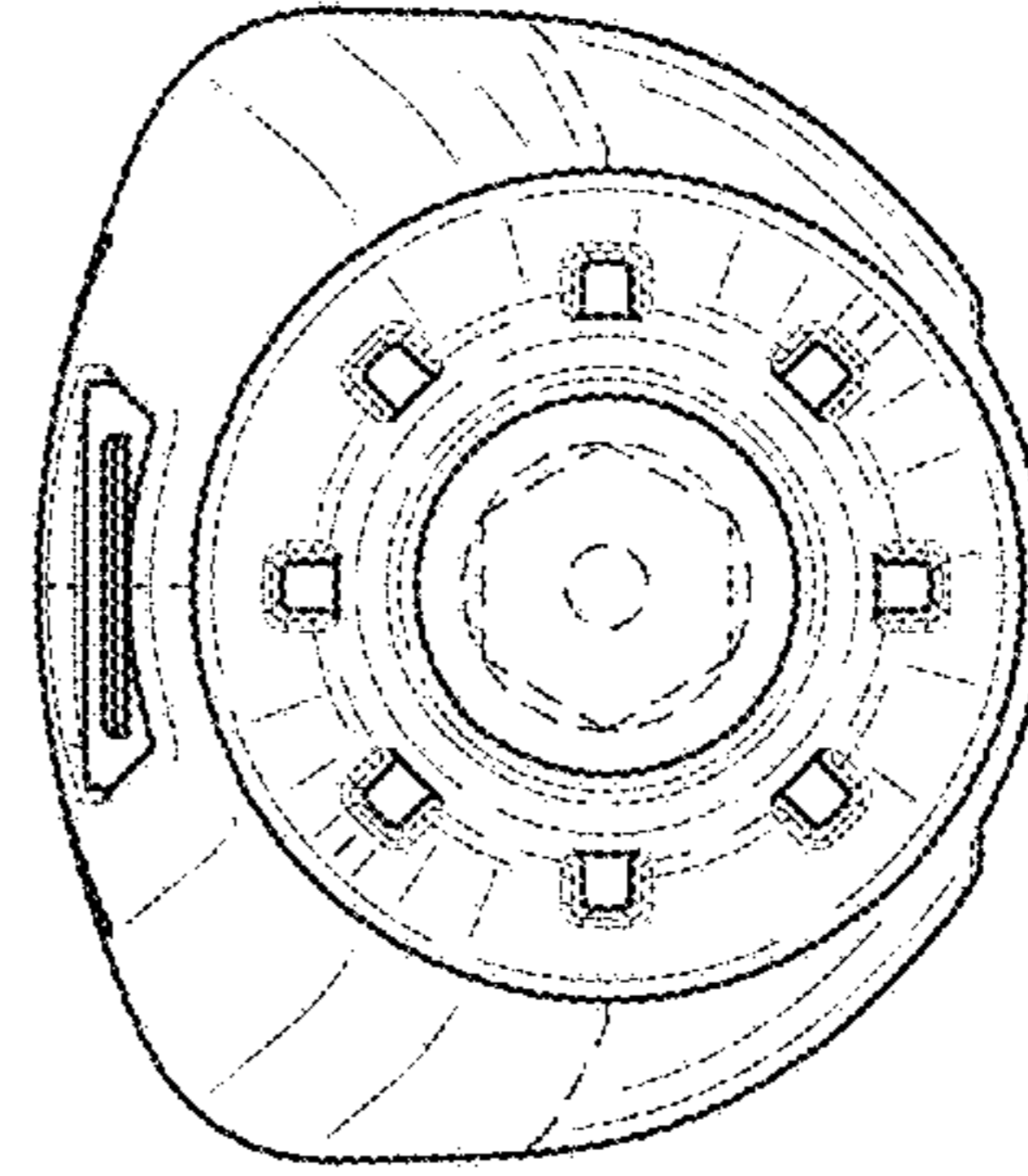


FIG. 6

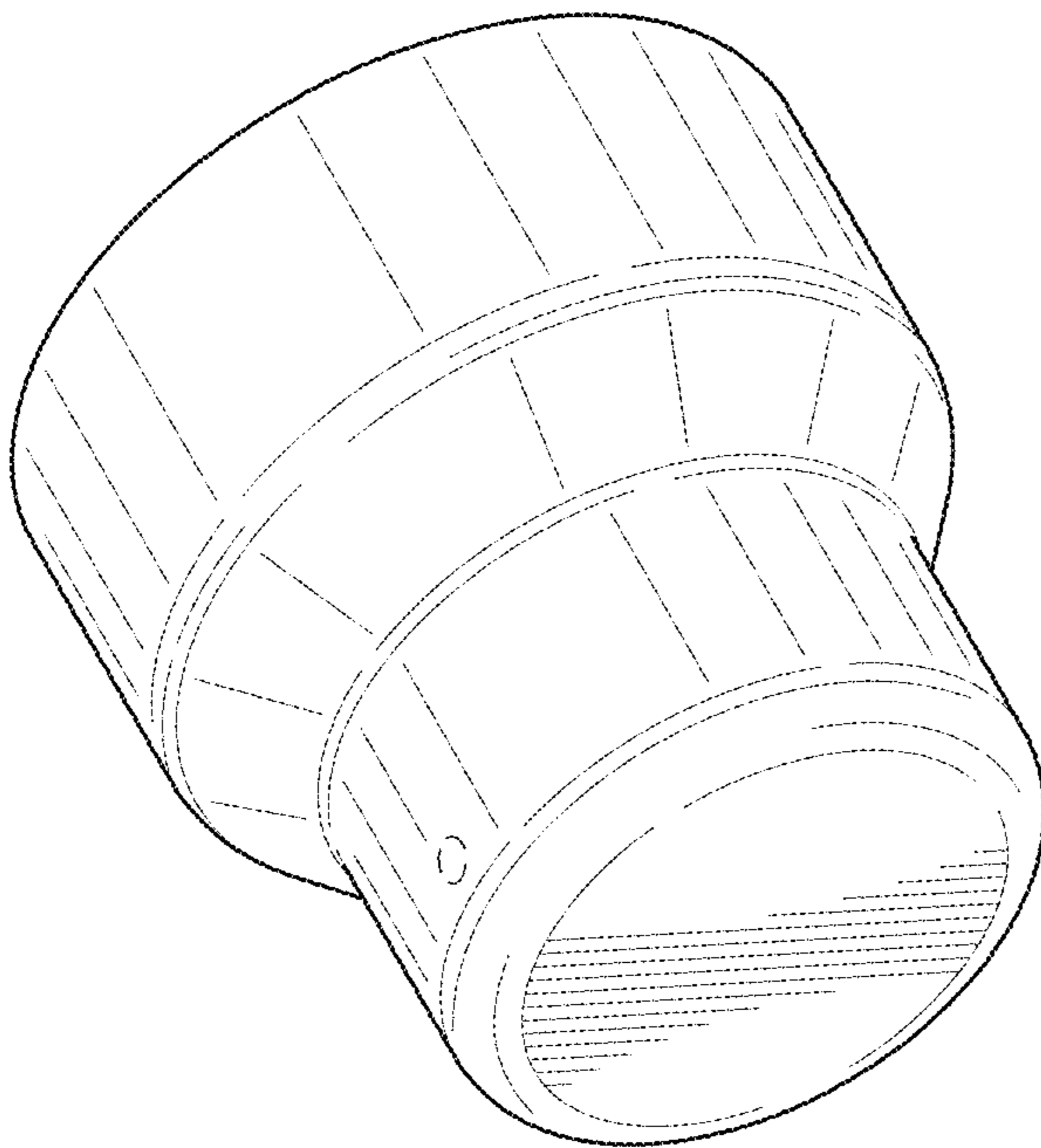


FIG. 7

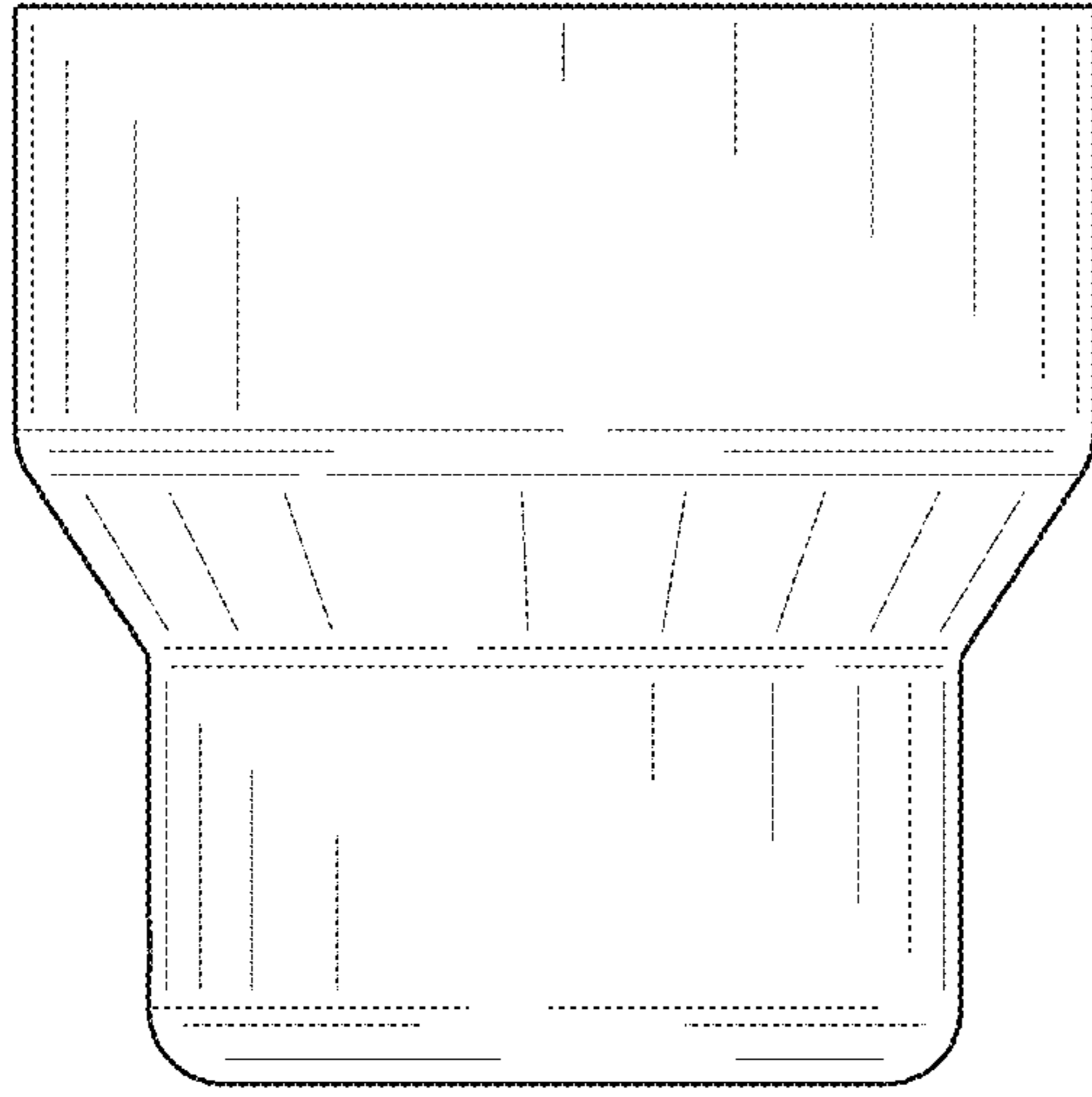


FIG. 8

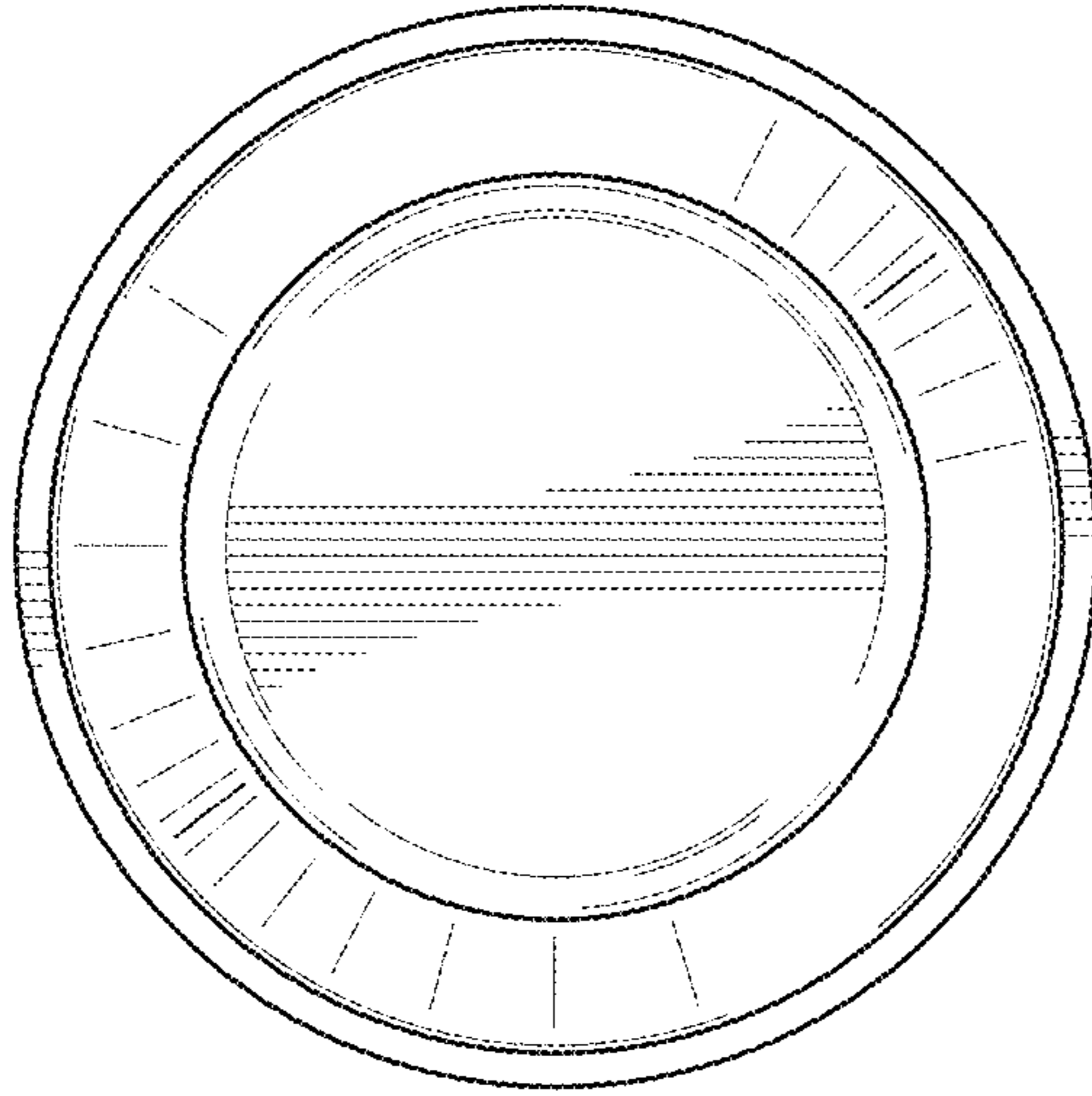


FIG. 10

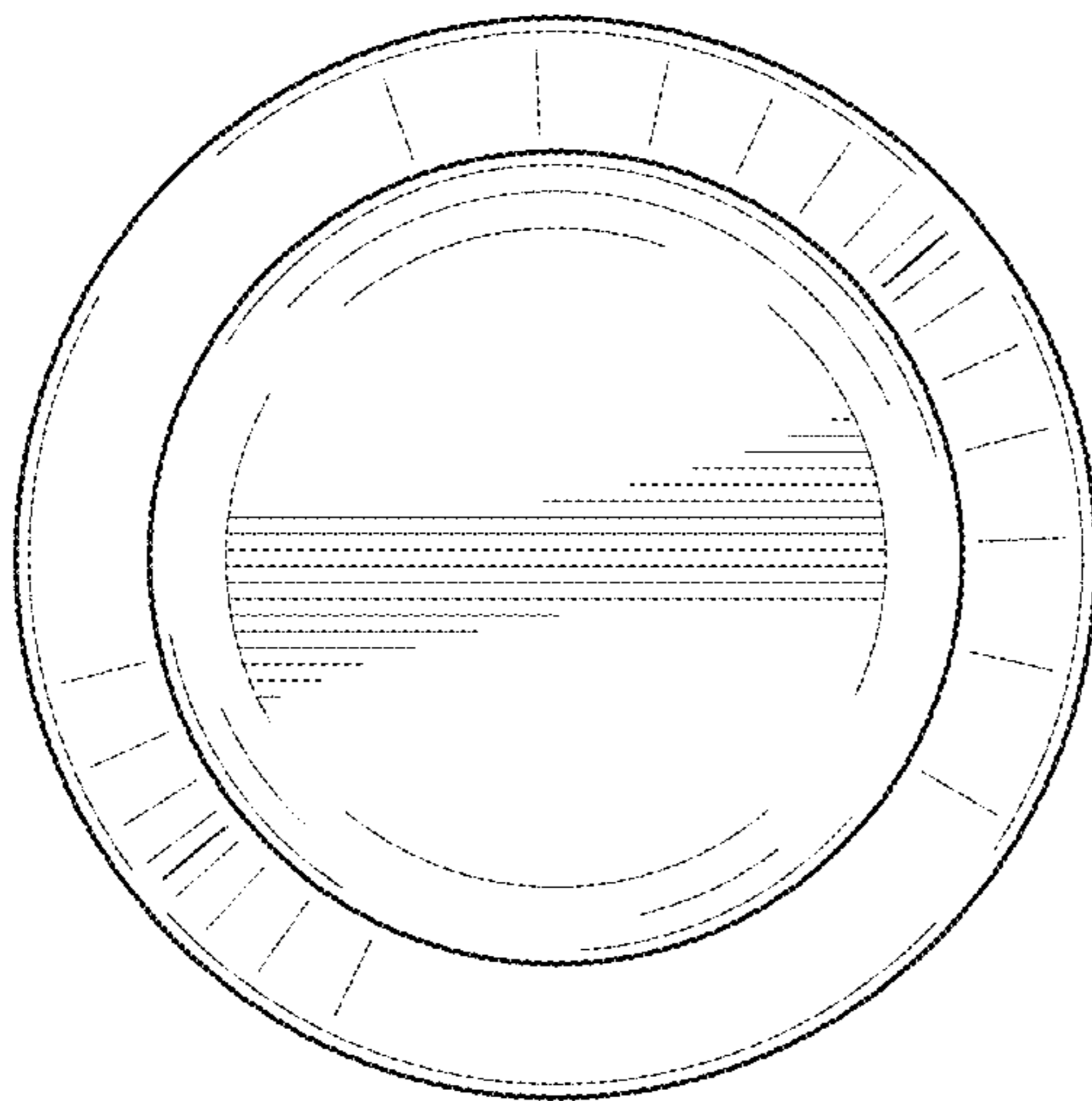


FIG. 9

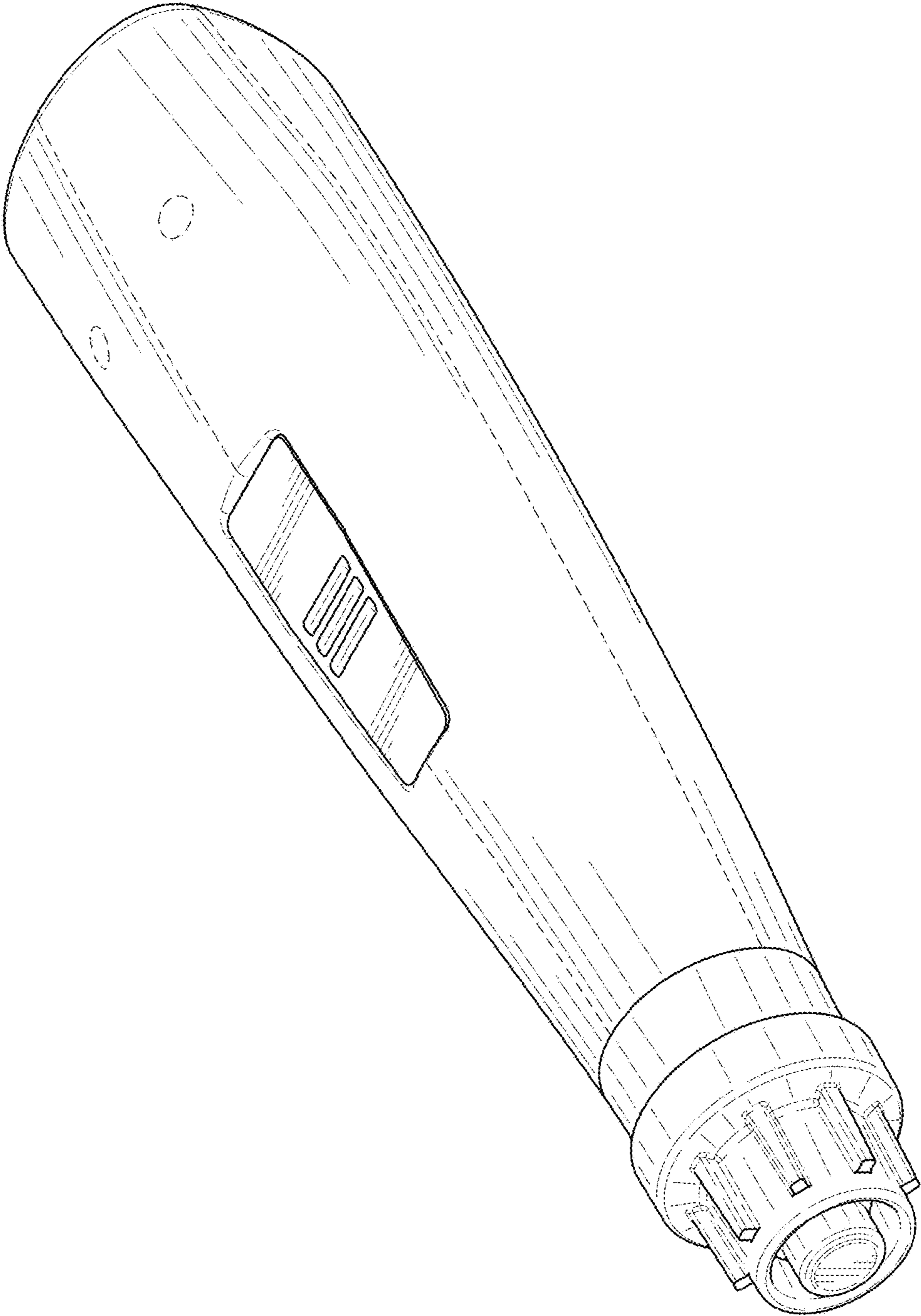


FIG. 11

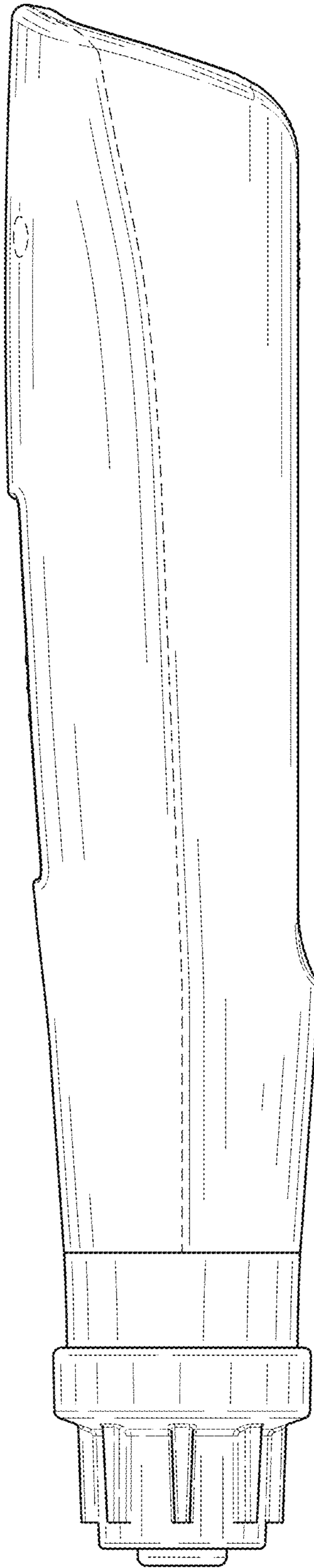


FIG. 12