



US00D779663S

(12) **United States Design Patent**  
**Nino et al.**

(10) **Patent No.:** **US D779,663 S**

(45) **Date of Patent:** **\*\* \*Feb. 21, 2017**

(54) **MEDICAL INSTRUMENT HANDLE WITH STRIKE PLATE**

(71) Applicant: **ECA Medical Instruments**, Newbury Park, CA (US)

(72) Inventors: **John Nino**, Simi Valley, CA (US);  
**David Ivinson**, Camarillo, CA (US)

(73) Assignee: **ECA Medical Instruments**, Newbury Park, CA (US)

(\*) Notice: This patent is subject to a terminal disclaimer.

(\*\*) Term: **15 Years**

(21) Appl. No.: **29/527,960**

(22) Filed: **May 22, 2015**

(51) **LOC (10) Cl.** ..... **24-02**

(52) **U.S. Cl.**  
USPC ..... **D24/133**

(58) **Field of Classification Search**  
USPC ..... D24/111, 137, 138, 133, 214, 177,  
D24/147, 222, 119, 141, 113, 114, 112,  
D8/108, 223; 83, 107.24, 80, 94, 300,  
D8/303, 313, 315, 316; D10/57  
CPC ..... Y10T 74/20828; Y10T 74/2078; Y10T  
74/20822; Y10T 74/2028; Y10T  
74/20287; Y10T 74/20834; Y10T  
74/2087; Y10T 74/20876; Y10T 16/063;  
Y10T 16/466; B62K 21/26; B62K  
21/125; B62K 11/14; G05G 1/06; Y10S  
16/12; Y10S 16/903

See application file for complete search history.

(56) **References Cited**

U.S. PATENT DOCUMENTS

D533,428 S \* 12/2006 Tsai ..... D8/107  
D550,057 S \* 9/2007 Staples ..... D8/107

D611,784 S \* 3/2010 Girard ..... D8/25  
D649,243 S \* 11/2011 Barry ..... D24/133  
D652,137 S \* 1/2012 Nino ..... D24/133  
D652,138 S \* 1/2012 Nino ..... D24/133  
D655,413 S \* 3/2012 Nino ..... D24/133  
D696,923 S \* 1/2014 Ichikawa ..... D8/303

\* cited by examiner

*Primary Examiner* — Robert M Spear

*Assistant Examiner* — Eliza Bennett-Hattan

(74) *Attorney, Agent, or Firm* — Baker & Hostetler LLP

(57) **CLAIM**

We claim the ornamental design for a medical instrument handle with strike plate, as shown and described.

**DESCRIPTION**

FIG. 1 is left side view of our new design for a medical instrument handle with strike plate.

FIG. 2 is right side view of our new design for a medical instrument handle with strike plate.

FIG. 3 is top view of our new design for a medical instrument handle with strike plate.

FIG. 4 is bottom view of our new design for a medical instrument handle with strike plate.

FIG. 5 is front view of our new design for a medical instrument handle with strike plate.

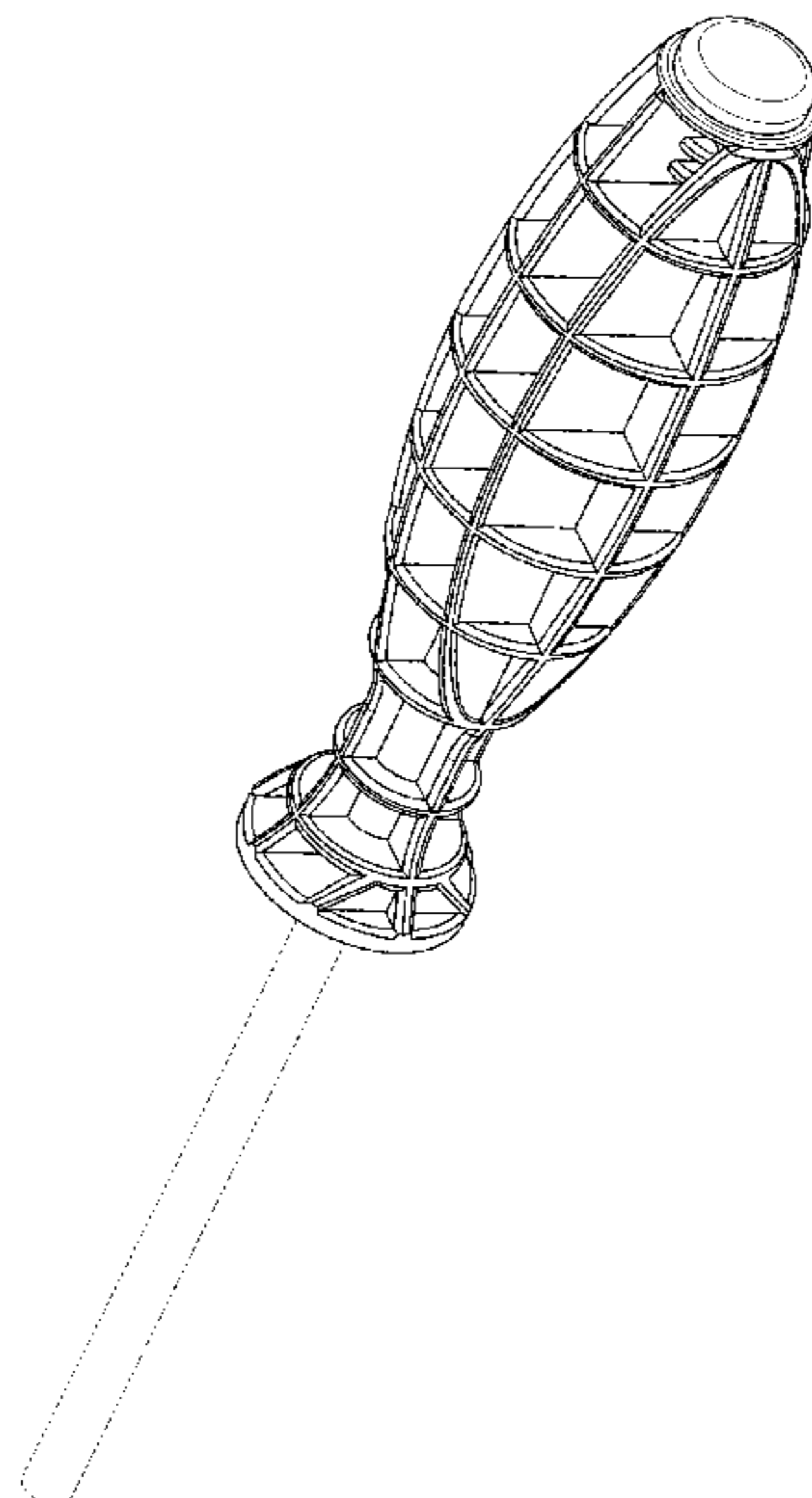
FIG. 6 is back view of our new design for medical instrument handle with strike plate.

FIG. 7 is perspective front to back view of our new design for a medical instrument handle with strike plate; and,

FIG. 8 is perspective back to front view of our new design for a medical instrument handle with strike plate.

The broken lines showing the remainder of the medical instrument are directed to environment and are for illustrative purposes only; in the drawings, the broken lines shown represent unclaimed subject matter only and form no part of the claimed design.

**1 Claim, 5 Drawing Sheets**



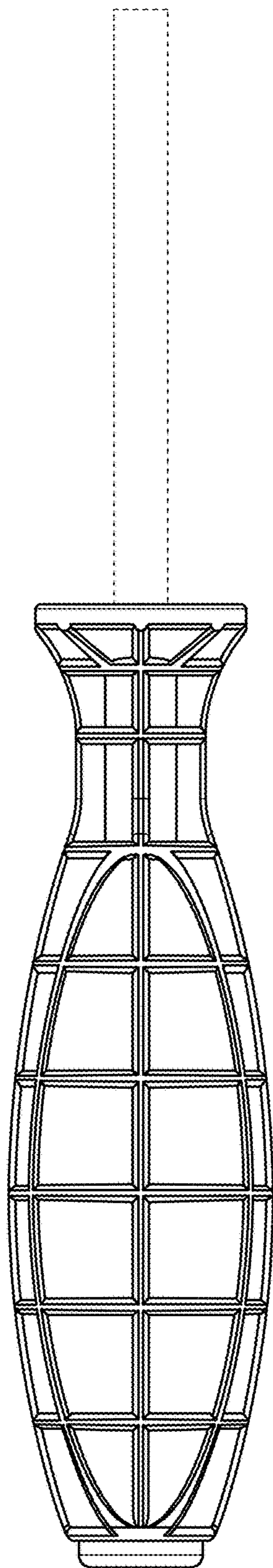


FIG. 1

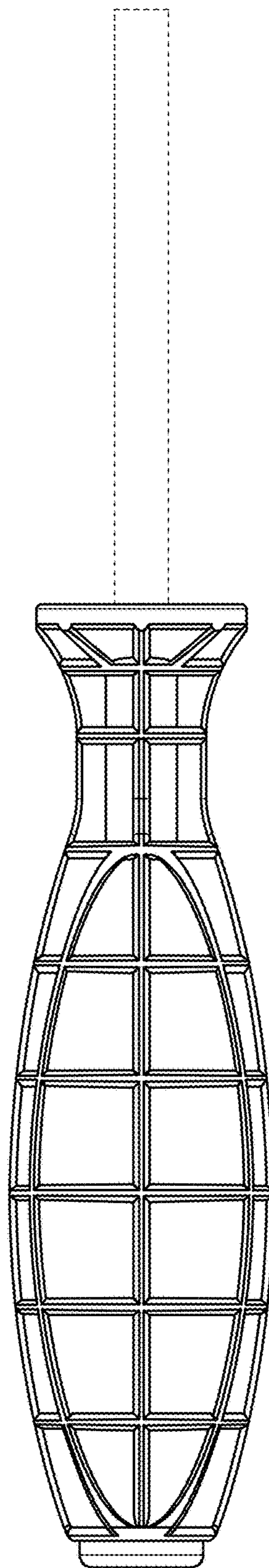


FIG. 2

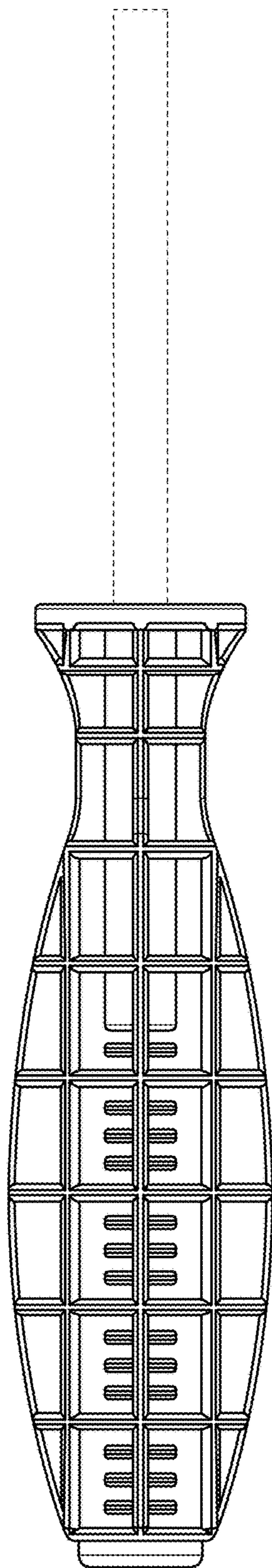


FIG. 3

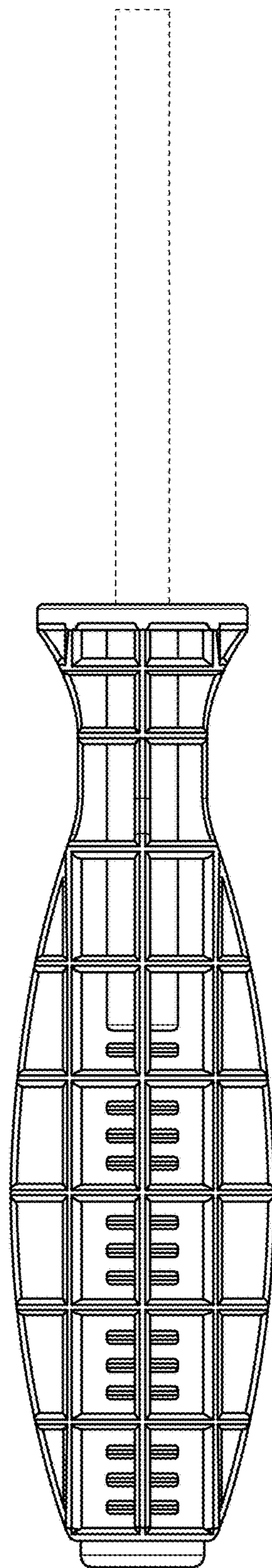


FIG. 4

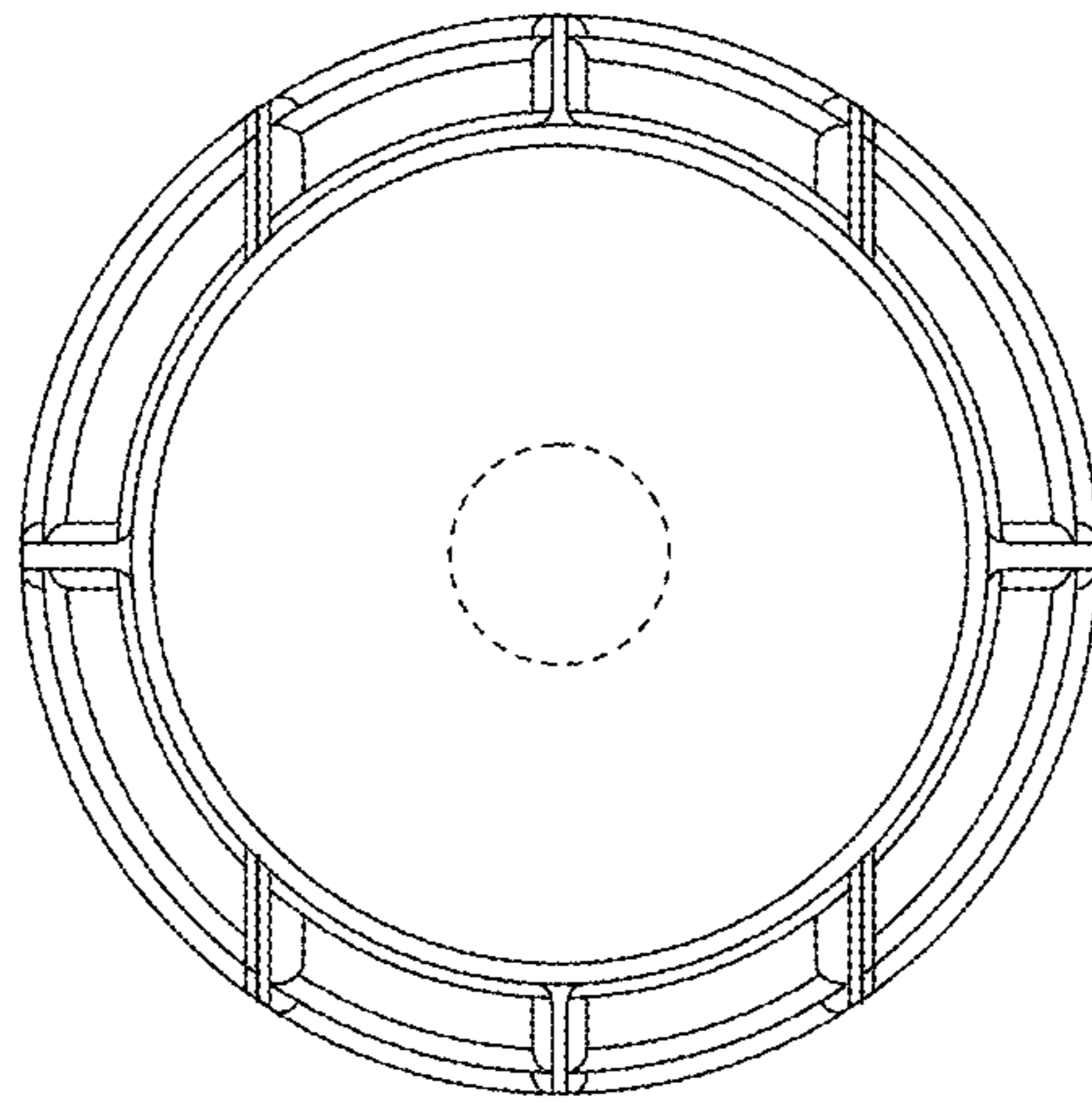


FIG. 5

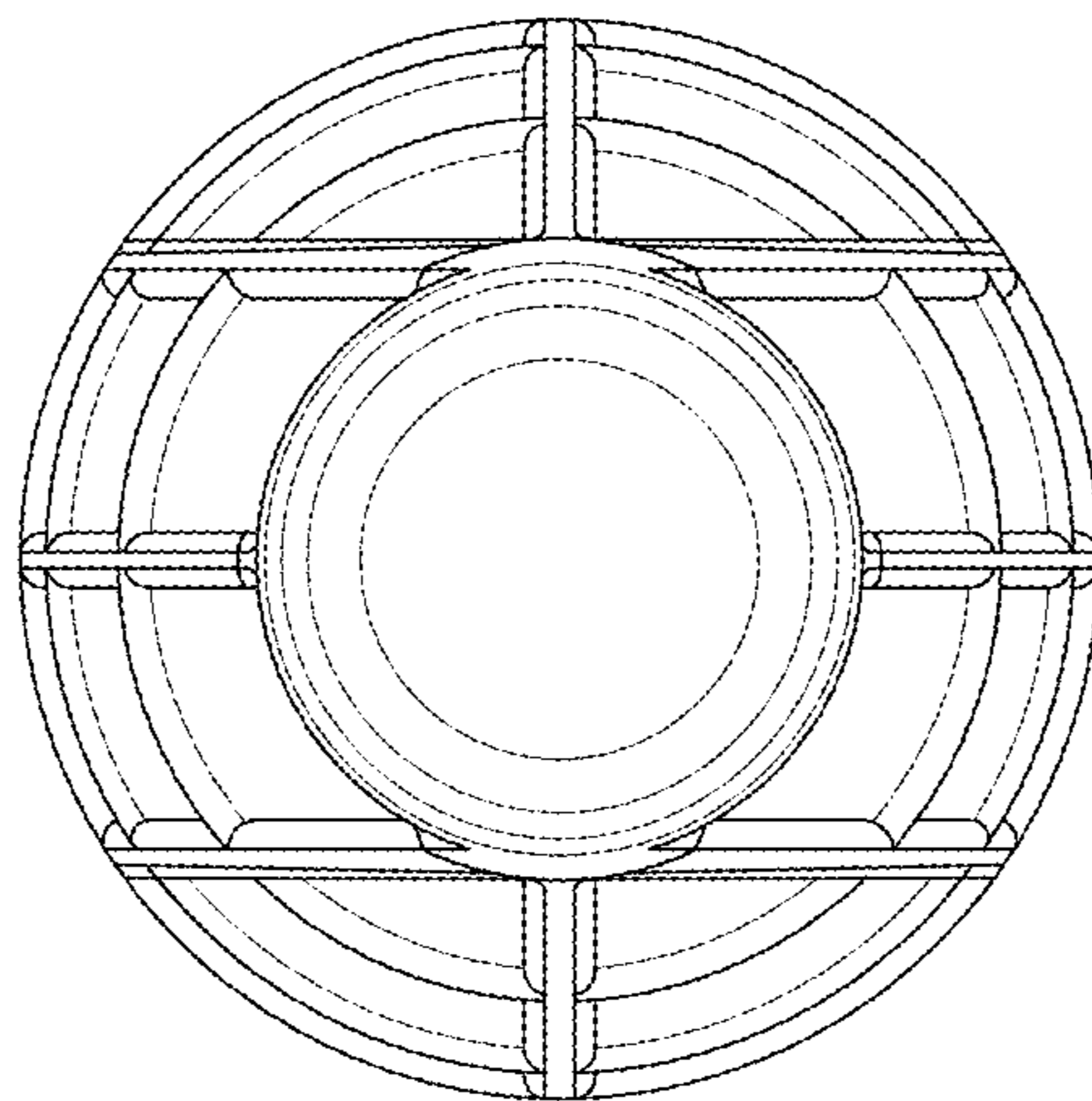


FIG. 6

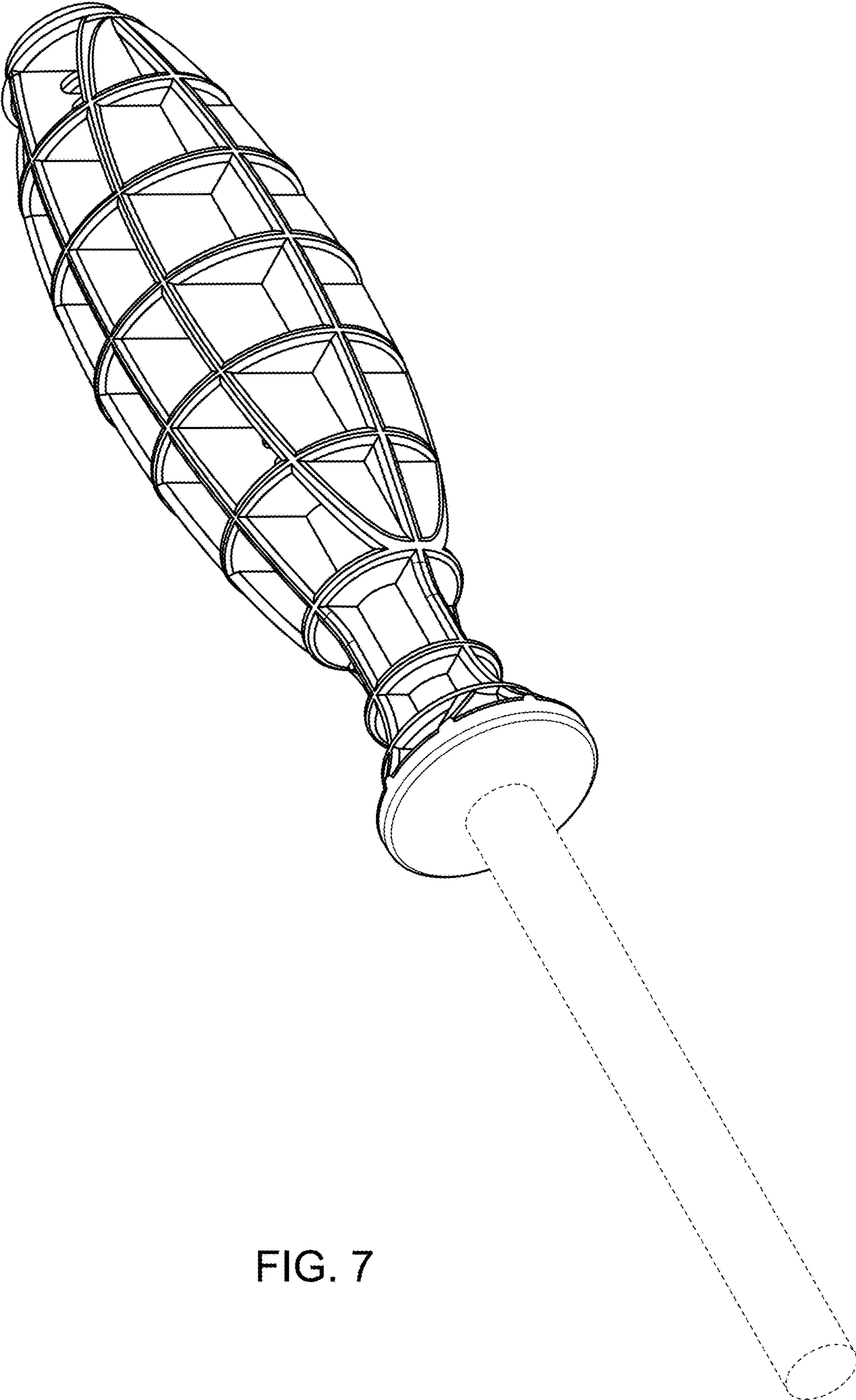


FIG. 7

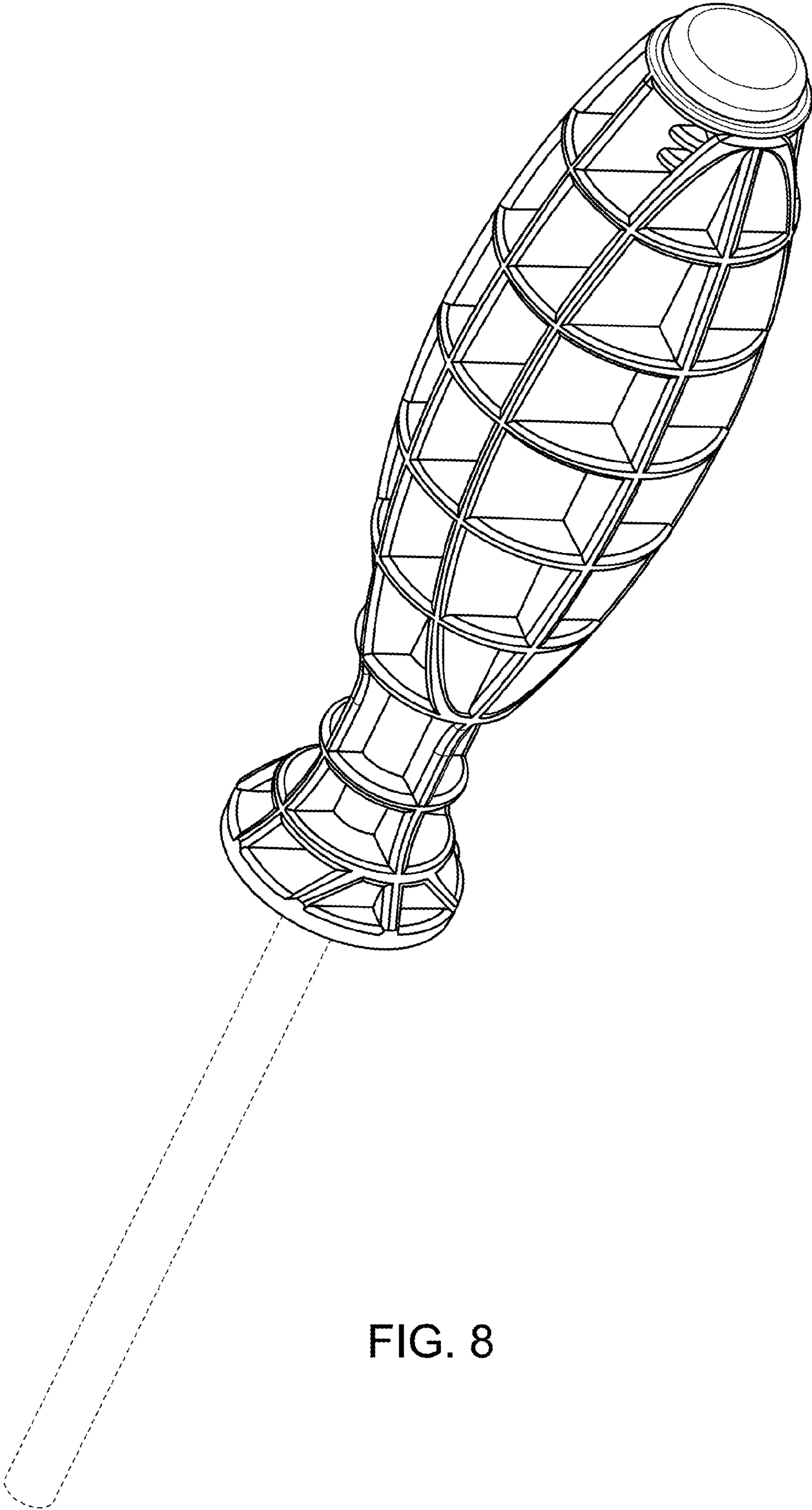


FIG. 8