

US00D779662S

(12) **United States Design Patent** (10) **Patent No.:** **US D779,662 S**
Smith (45) **Date of Patent:** **** Feb. 21, 2017**

(54) **FEMALE CATHETER CONNECTOR**

(71) Applicant: **Laborie Medical Technologies, Corp.**,
Mississauga (CA)

(72) Inventor: **Bryce Raymond Smith**, Sandy, UT
(US)

(73) Assignee: **Laborie Medical Technologies, Corp.**,
Mississauga, Ontario (CA)

(**) Term: **15 Years**

(21) Appl. No.: **29/535,517**

(22) Filed: **Aug. 7, 2015**

(51) **LOC (10) Cl.** **24-99**

(52) **U.S. Cl.**
USPC **D24/129**

(58) **Field of Classification Search**
USPC D24/108, 112-114, 127, 129, 130
CPC ... A61M 39/10; A61M 39/12; A61M 25/0014
See application file for complete search history.

(56) **References Cited**

U.S. PATENT DOCUMENTS

- D416,623 S * 11/1999 Molina D24/129
- 2004/0127854 A1 * 7/2004 Leinsing A61M 25/0631
604/167.03
- 2007/0028979 A1 * 2/2007 Yokota A61M 39/045
137/877
- 2008/0077063 A1 * 3/2008 Meyer A61H 9/0078
601/148

- 2009/0270737 A1* 10/2009 Thornton A61B 8/12
600/466
- 2013/0144234 A1* 6/2013 Croizat A61M 39/10
604/319
- 2015/0076815 A1* 3/2015 Lombardi, III A61M 39/1011
285/317

* cited by examiner

Primary Examiner — Ian Simmons

Assistant Examiner — Richelle G Shelton

(74) *Attorney, Agent, or Firm* — Fredrikson & Byron,
P.A.

(57) **CLAIM**

The ornamental design for a female catheter connector, as shown and described.

DESCRIPTION

FIG. 1 is a perspective view of a female catheter connector showing my new design;

FIG. 2 is a front elevation view thereof;

FIG. 3 is a rear elevation view thereof;

FIG. 4 is a top plan view thereof;

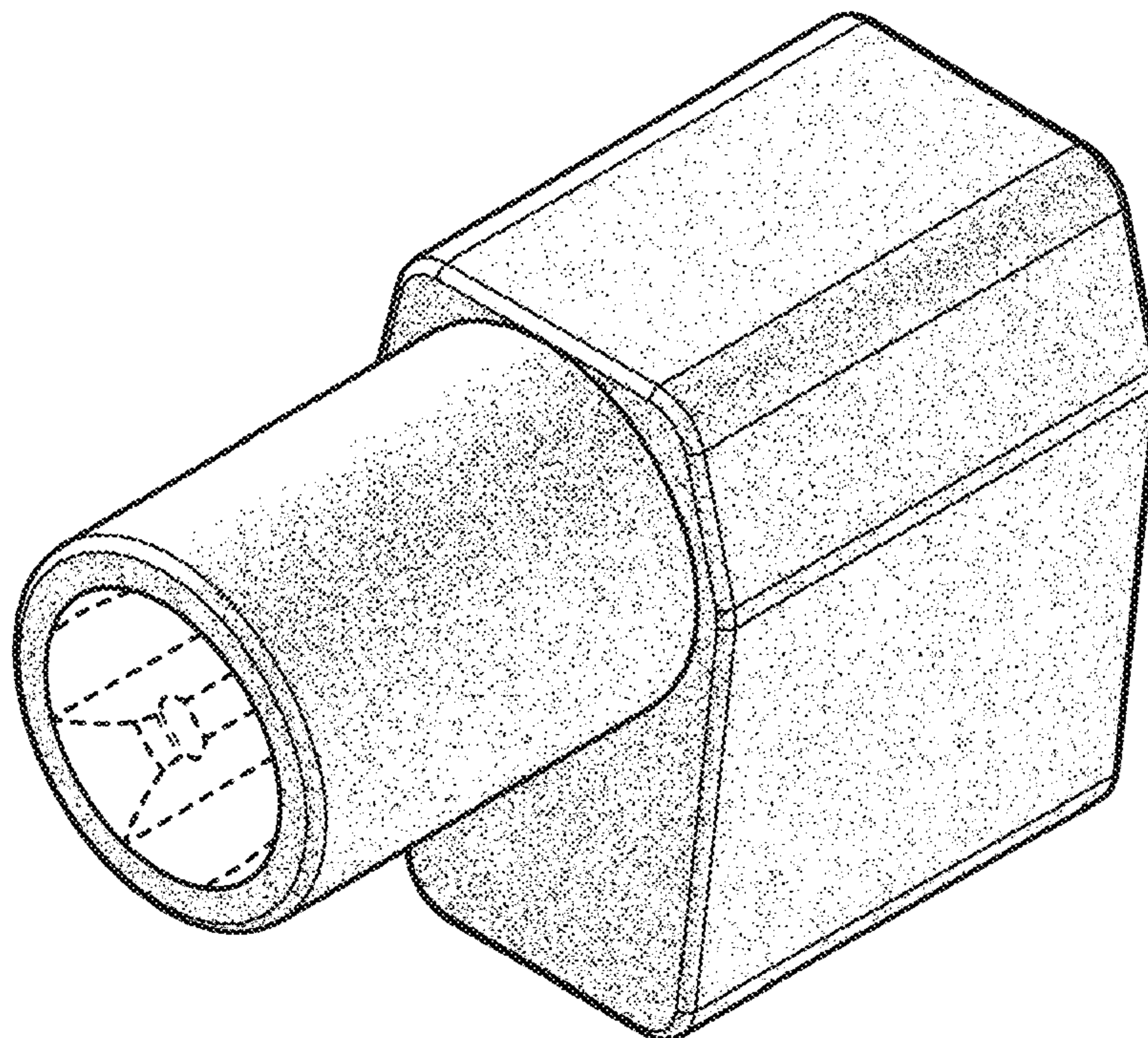
FIG. 5 is a bottom plan view thereof;

FIG. 6 is a right side elevation view thereof; and,

FIG. 7 is a left side elevation view thereof.

The broken lines immediately adjacent the shaded areas represent the bounds of the claimed design, while all other broken lines are directed to environment; the broken lines form no part of the claimed design.

1 Claim, 4 Drawing Sheets



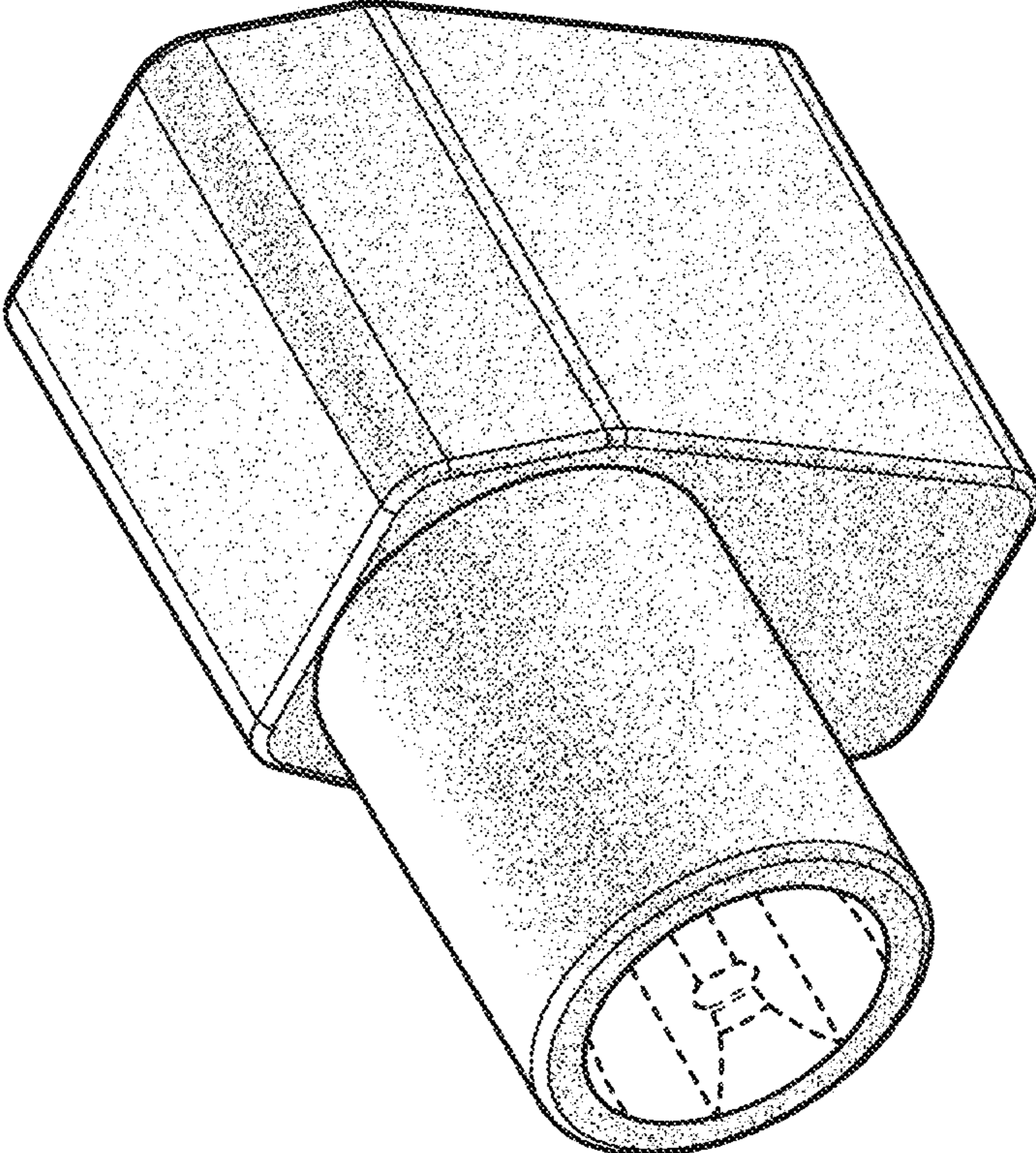


FIG. 1

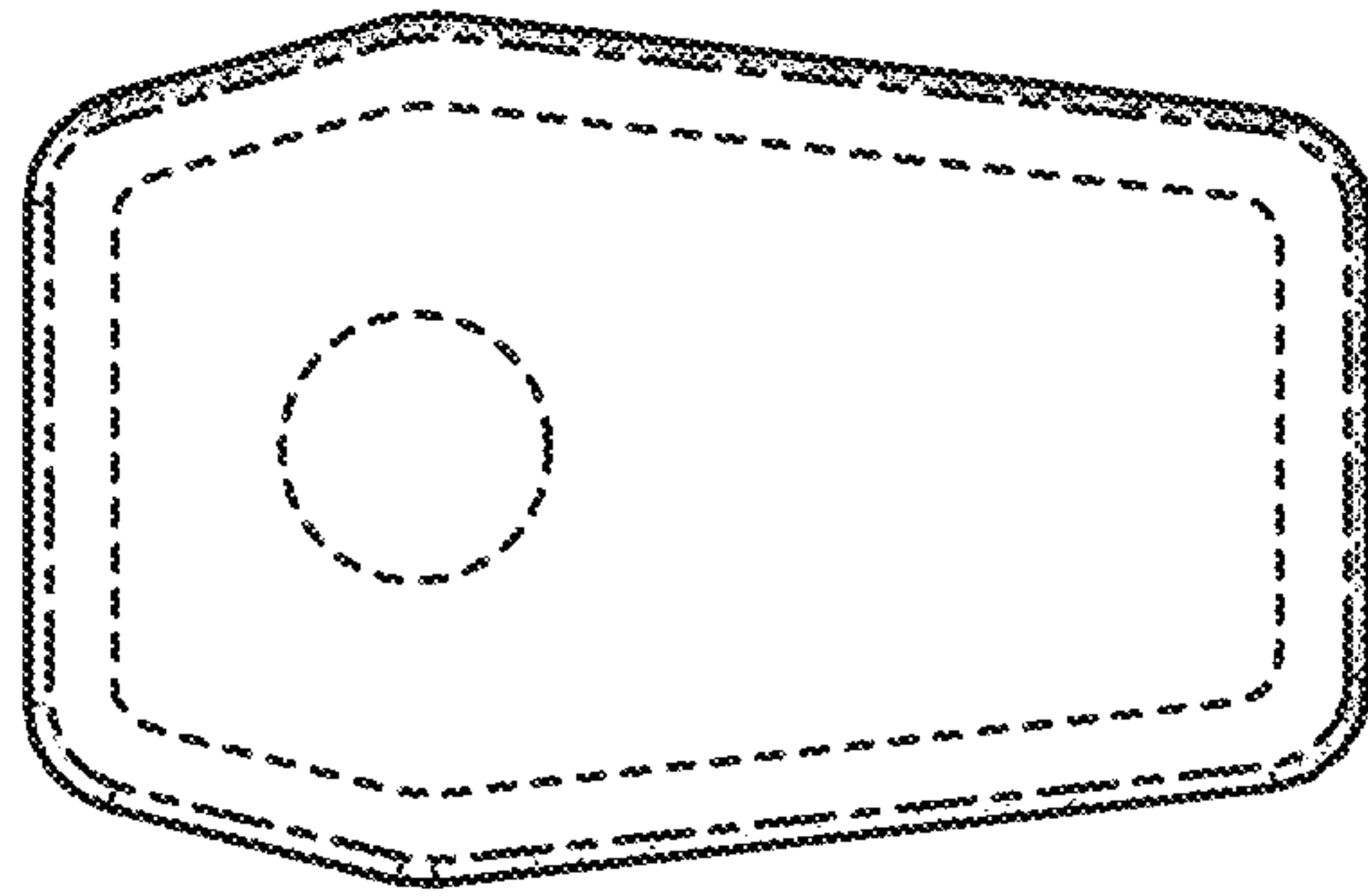


FIG. 3

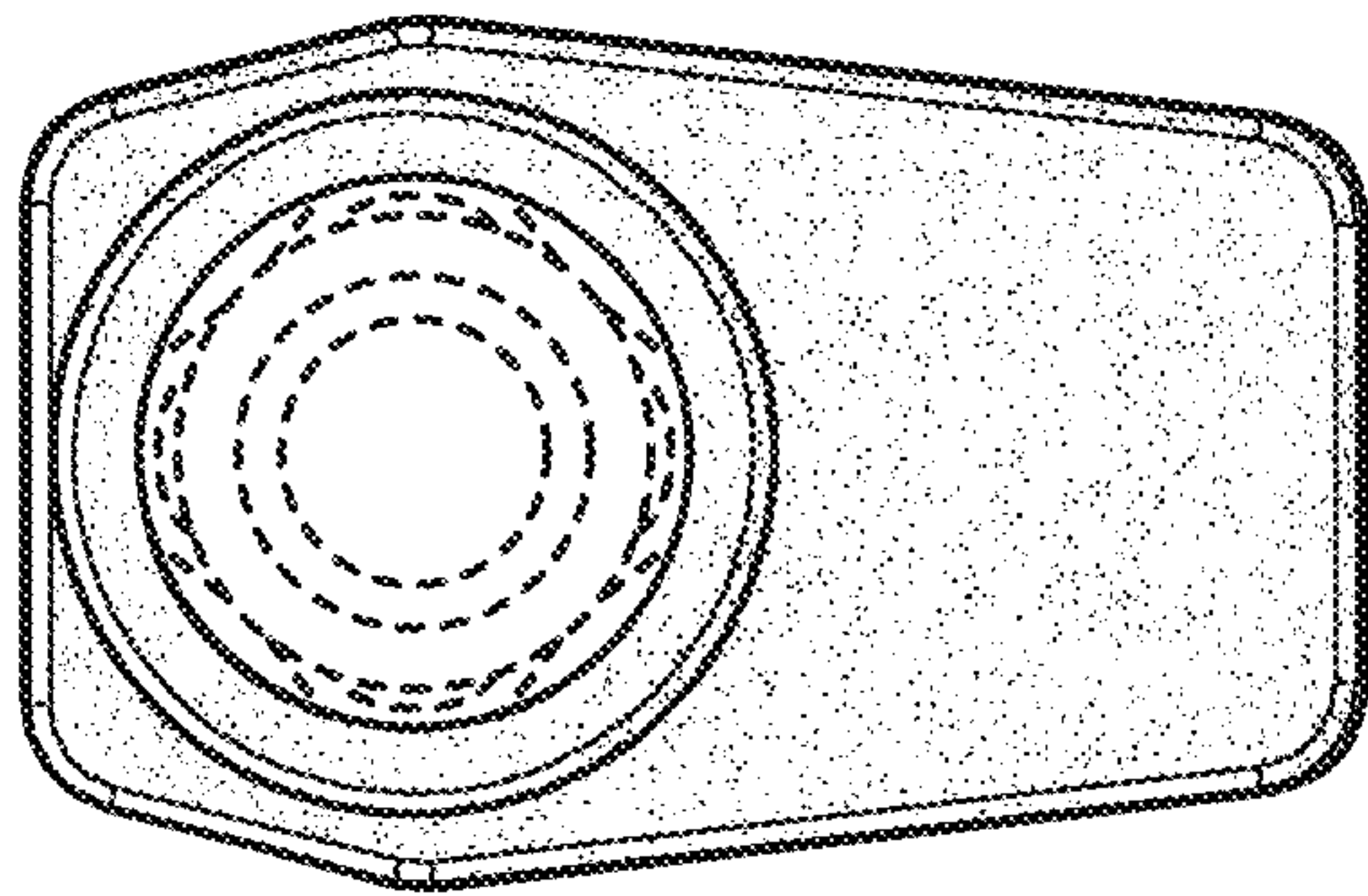


FIG. 2

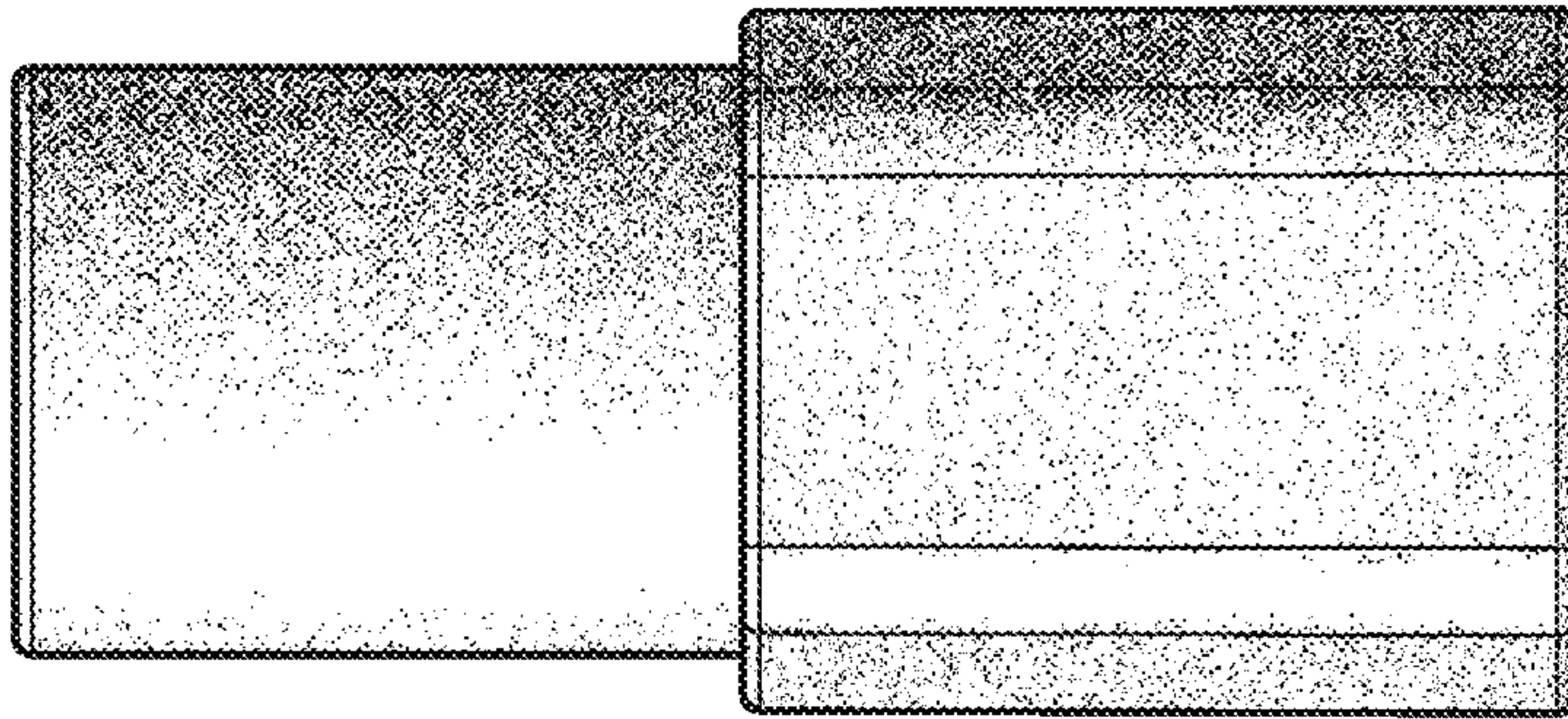


FIG. 5

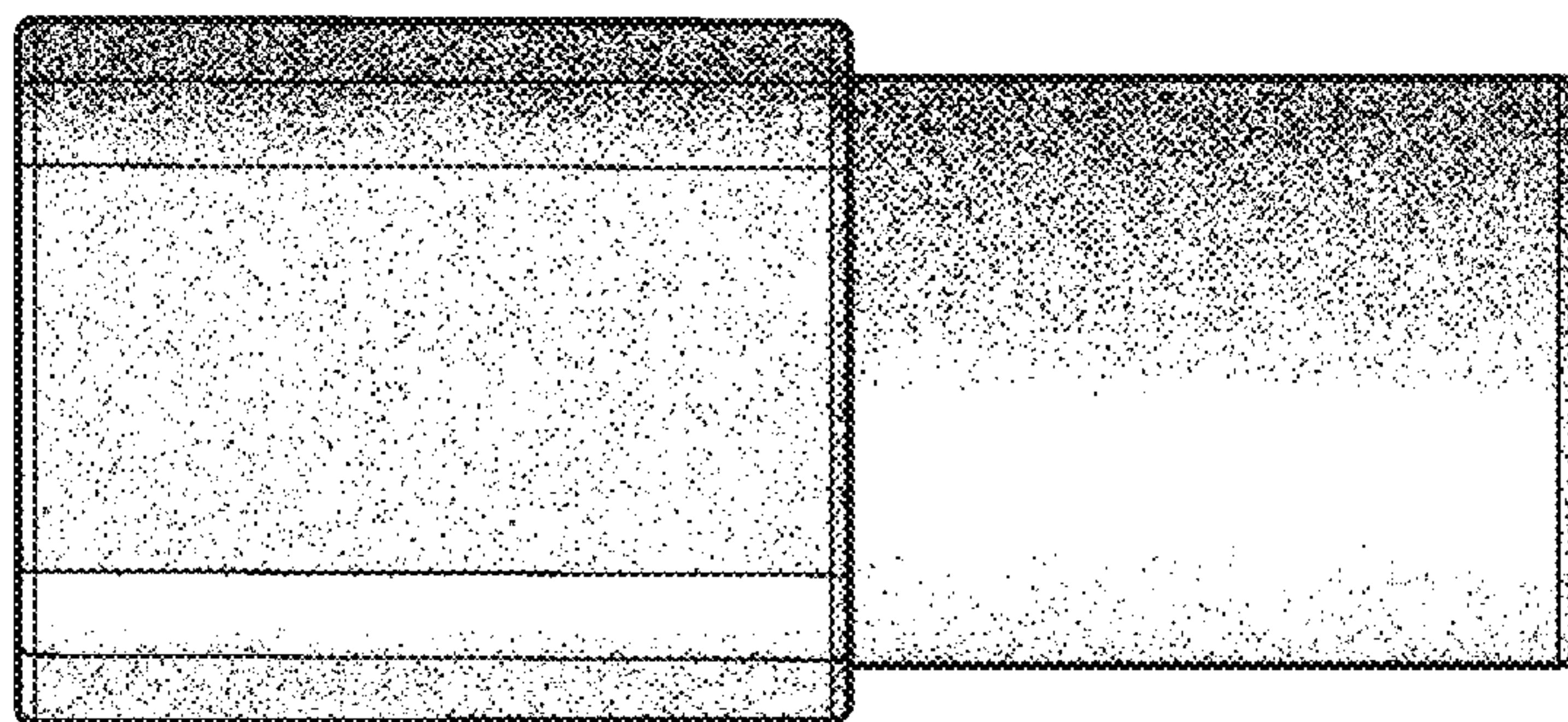


FIG. 4

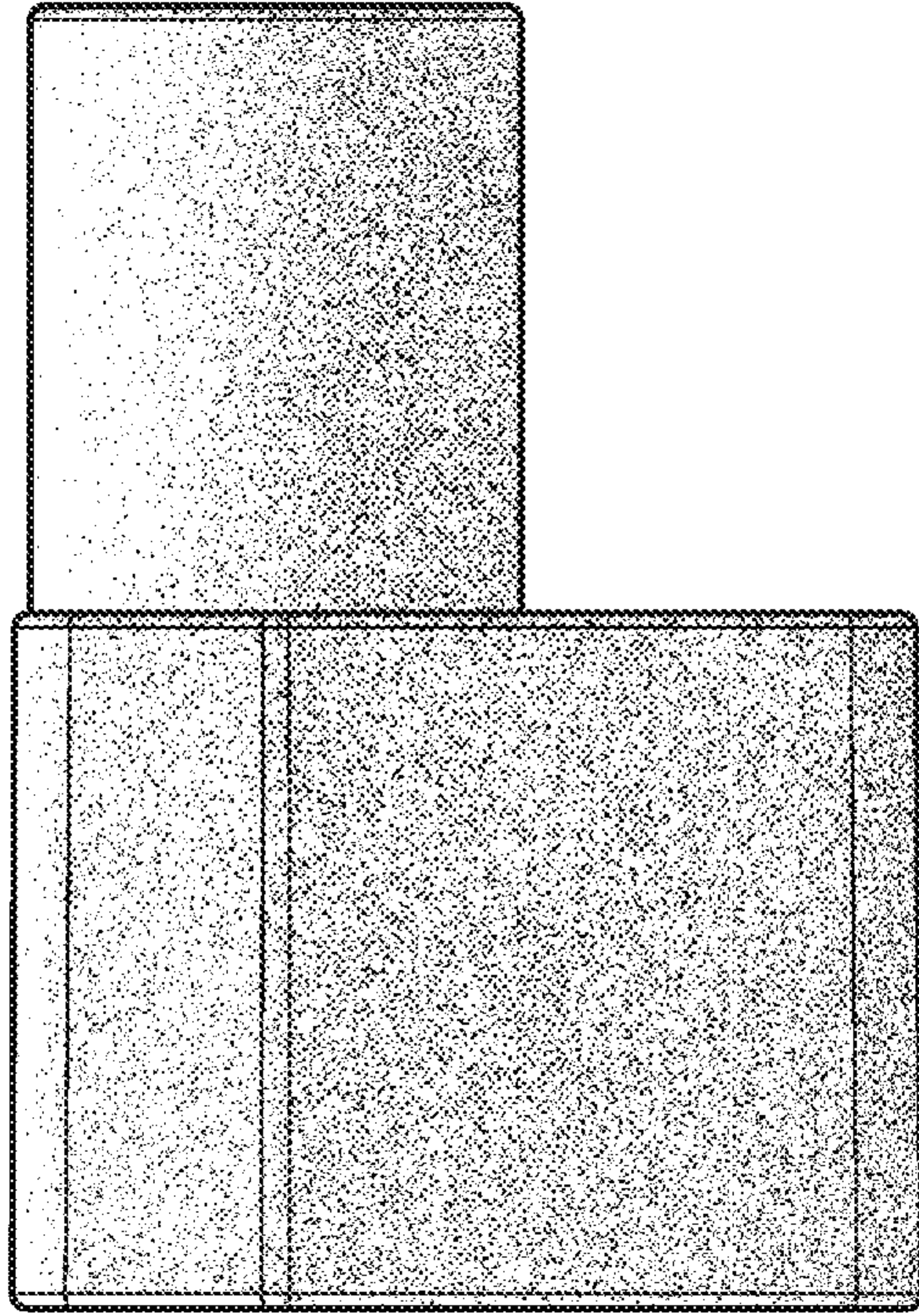


FIG. 7

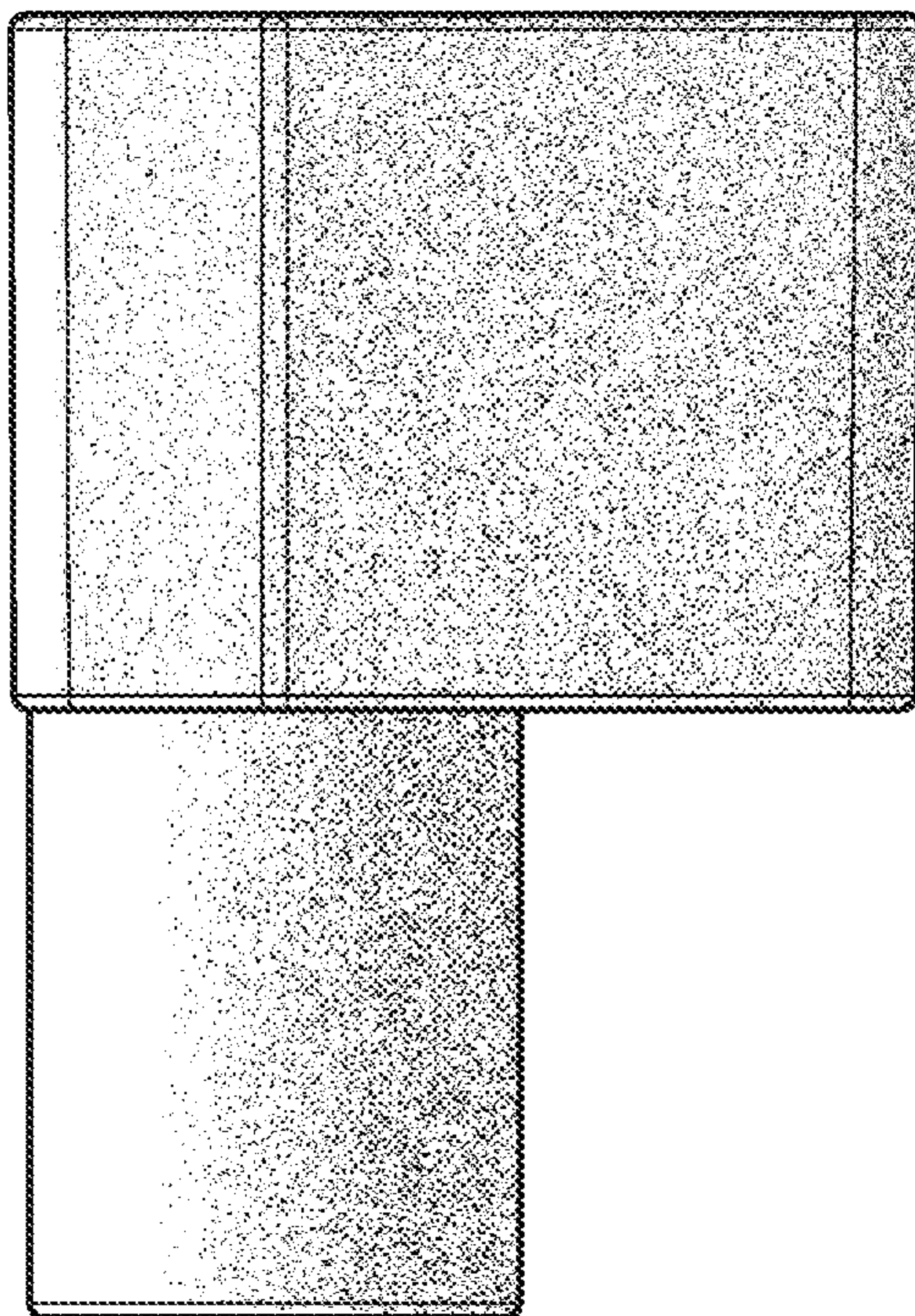


FIG. 6