



US00D779657S

(12) **United States Design Patent** (10) **Patent No.:** **US D779,657 S**
Walther et al. (45) **Date of Patent:** **** Feb. 21, 2017**

(54) **ABSORBENT ARTICLE SUBSTRATE WITH A PATTERN**

D695,895 S * 12/2013 Mason D24/126
D699,346 S 2/2014 McElroy et al.
D721,804 S * 1/2015 Cutshaw D24/126
D761,418 S * 7/2016 Mark D24/126
2005/0217791 A1 10/2005 Costello et al.

(71) Applicant: **The Procter & Gamble Company**,
Cincinnati, OH (US)

(72) Inventors: **Rachael Eden Walther**, Union, KY
(US); **Theodore Cory Fites**, Cincinnati,
OH (US); **Jennifer Lynn Dusold**,
Cincinnati, OH (US)

(73) Assignee: **The Procter & Gamble Company**,
Cincinnati, OH (US)

(**) Term: **14 Years**

(21) Appl. No.: **29/522,627**

(22) Filed: **Apr. 1, 2015**

(51) **LOC (10) Cl.** **24-04**

(52) **U.S. Cl.**
USPC **D24/126**

(58) **Field of Classification Search**
USPC D24/124-126; 604/347, 348, 354,
604/358-361, 378, 384, 385.01, 385.201,
604/385.22, 385.24, 385.25
See application file for complete search history.

(56) **References Cited**

U.S. PATENT DOCUMENTS

D580,050 S * 11/2008 Rinaldi D24/126
D597,665 S 8/2009 Rinaldi et al.
D676,132 S * 2/2013 Cutshaw D24/126
D681,199 S 4/2013 Cutshaw et al.
D686,318 S * 7/2013 Mason D24/126
D686,319 S * 7/2013 Hawes D24/126
D691,715 S * 10/2013 Mason D24/126

OTHER PUBLICATIONS

U.S. Appl. No. 29/522,628, filed Apr. 1, 2015, Theodore Cory Fites.

* cited by examiner

Primary Examiner — Garth Rademaker

Assistant Examiner — Samantha Q Lawrence

(74) *Attorney, Agent, or Firm* — Andrew A Paul

(57) **CLAIM**

The ornamental design for an absorbent article substrate with a pattern, as shown and described.

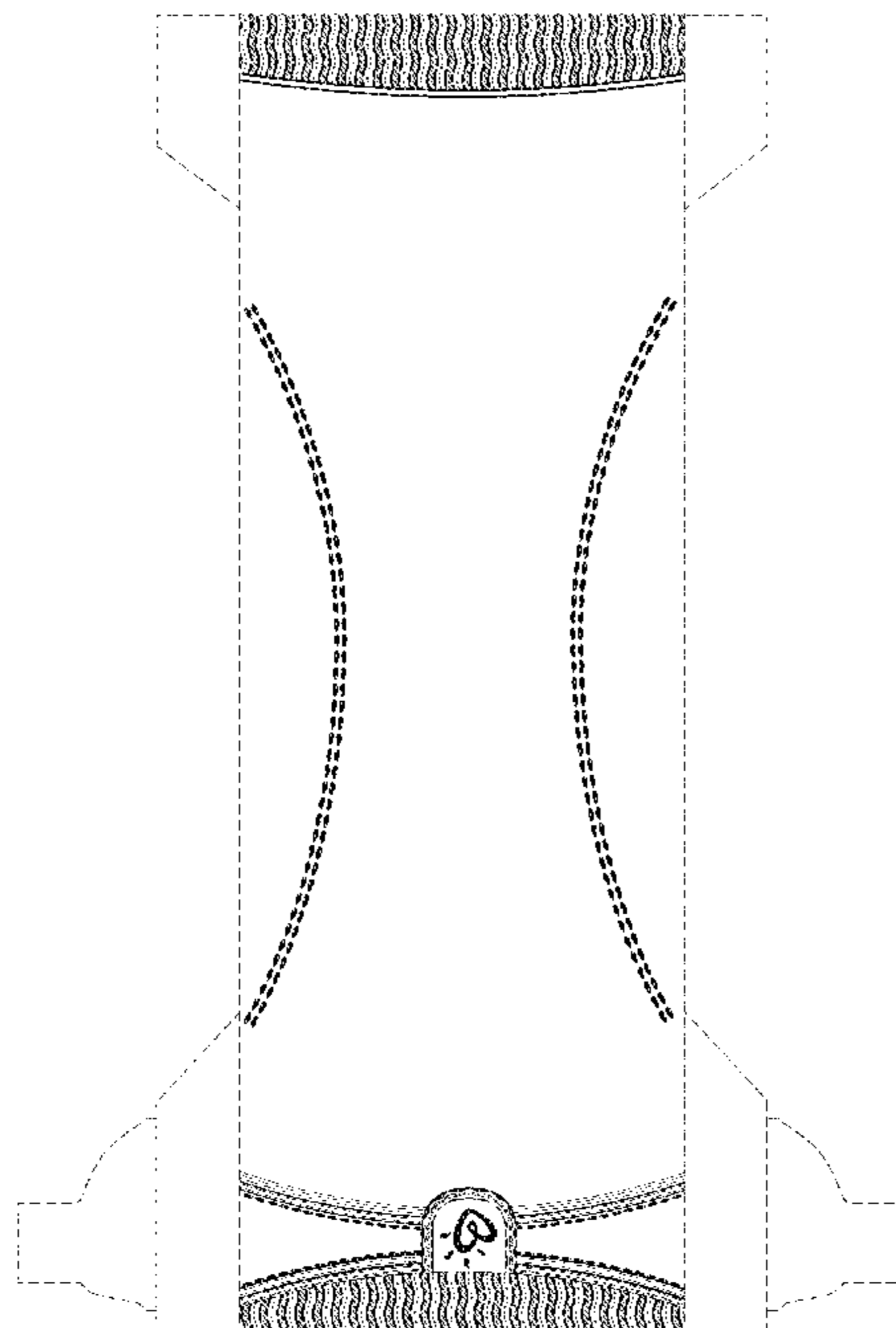
DESCRIPTION

FIG. 1 is a front view of an absorbent article substrate with a pattern;
FIG. 2 is a rear view thereof;
FIG. 3 is a top end view thereof;
FIG. 4 is a left side view thereof;
FIG. 5 is a right side view thereof; and,
FIG. 6 is a bottom end view thereof.

The broken lines, including those showing a diaper and diaper tabs and ears thereof, are included for the purpose of illustrating environment and form no part of the claimed design.

The broken lines on the absorbent article itself with the appearance of stitching form a part of the claimed design.

1 Claim, 3 Drawing Sheets



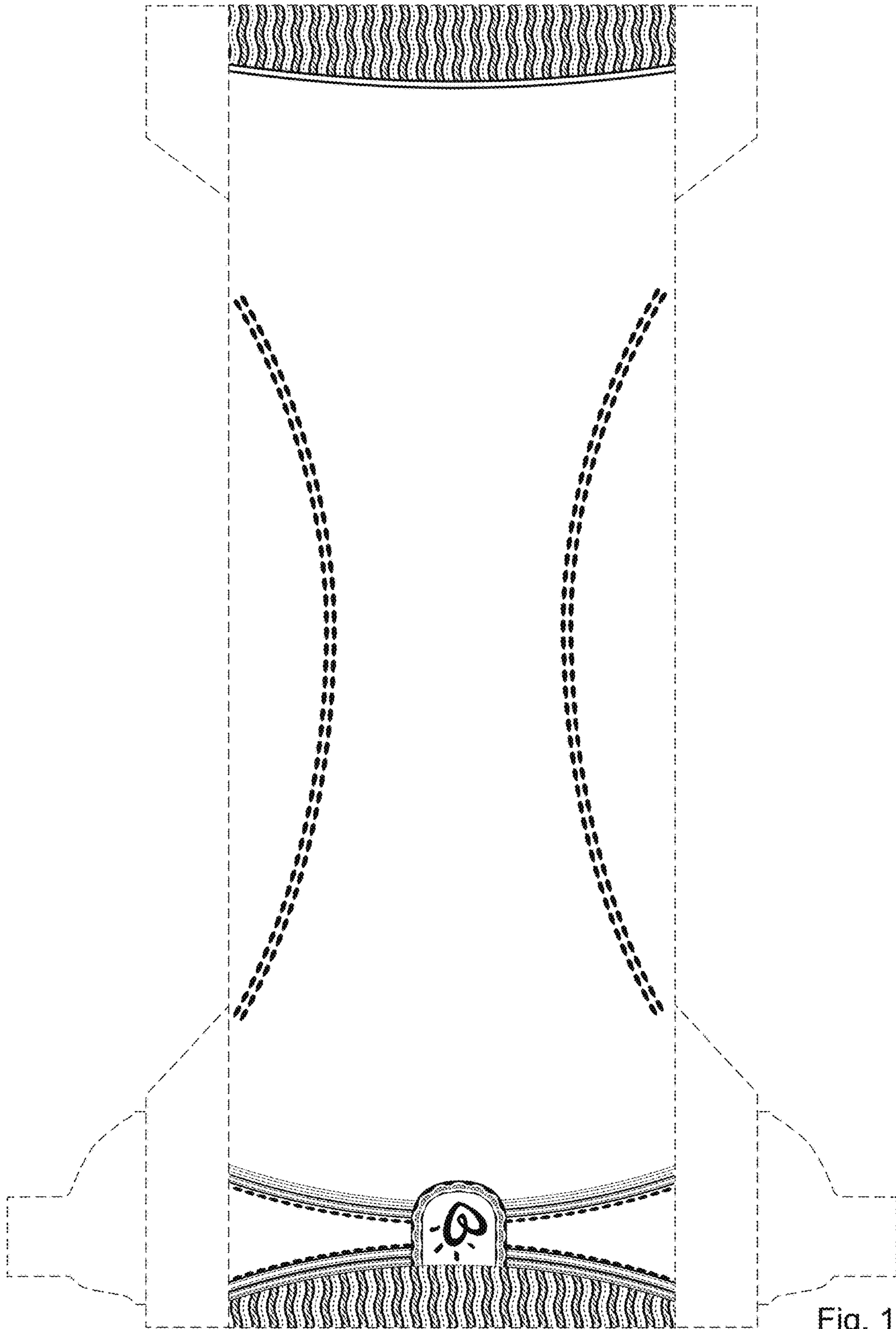


Fig. 1

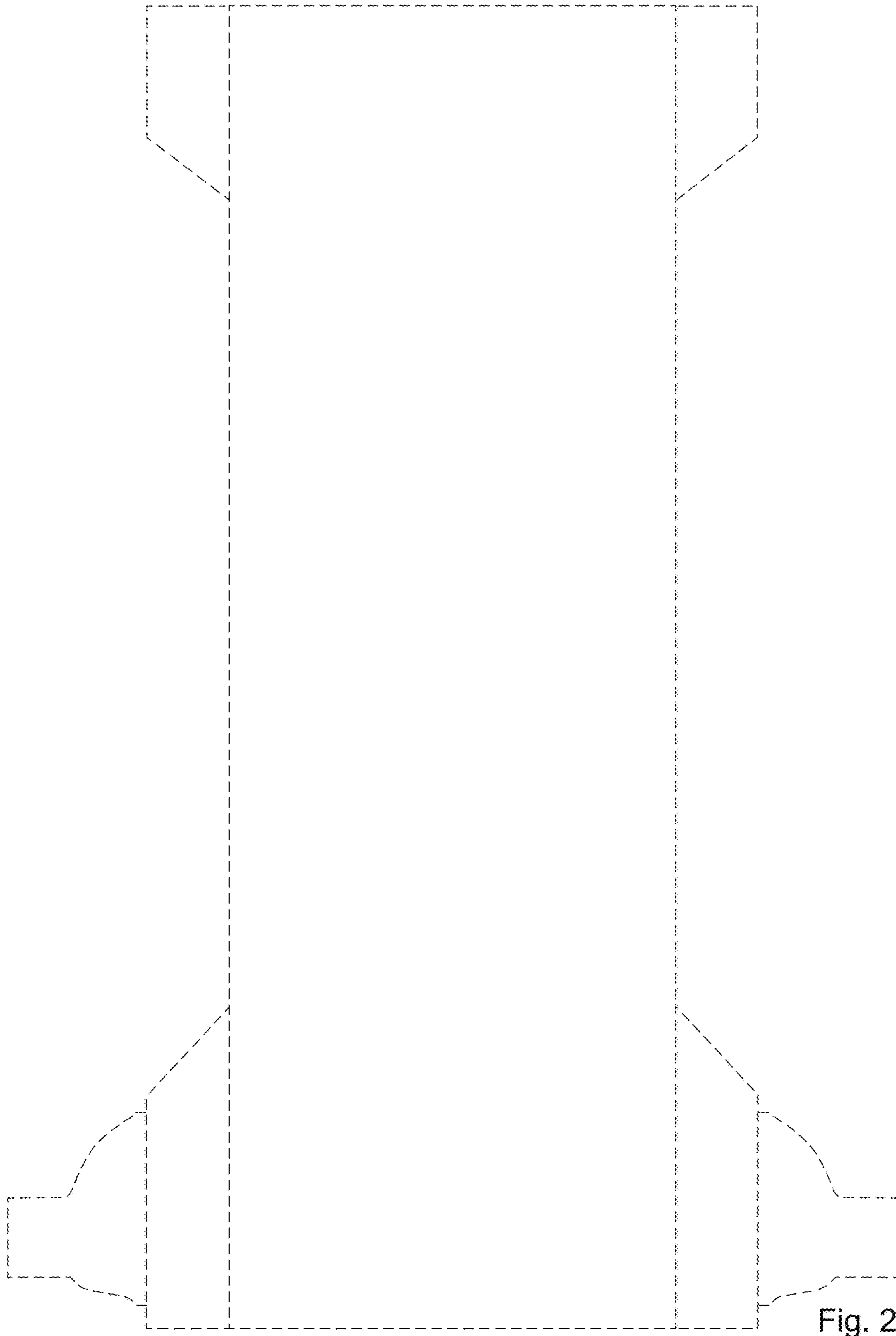


Fig. 2

Fig. 3



Fig. 4



Fig. 5



Fig. 6