



US00D779653S

(12) **United States Design Patent**
Habig et al.

(10) **Patent No.:** **US D779,653 S**
(45) **Date of Patent:** **** Feb. 21, 2017**

(54) **PLASTIC TUBE WITH APPLICATION NOZZLE**

(71) Applicants: **BAYER ANIMAL HEALTH GMBH**,
Leverkusen (DE); **RPC WIKO GMBH & CO KG**, Pulheim (DE)

(72) Inventors: **Jörg Habig**, Köln (DE); **Sebastian Kuzmierczyk**, Köln (DE); **Wilfried Hinxlage**, Dinklage (DE)

(73) Assignee: **Bayer Animal Health GmbH**,
Leverkusen (DE)

(**) Term: **14 Years**

(21) Appl. No.: **29/499,388**

(22) Filed: **Aug. 14, 2014**

(30) **Foreign Application Priority Data**

Feb. 18, 2014 (EM) 002406967-0001

(51) **LOC (10) Cl.** **24-02**

(52) **U.S. Cl.**
USPC **D24/115**

(58) **Field of Classification Search**

USPC D24/115, 108, 224, 223, 226; 222/209,
222/207, 215, 541.6, 541.4, 541.9;
D9/695-699, 529; 206/528; 604/3, 298;
215/47, 48; 128/200.24

CPC A61J 1/067; A61J 7/0023; A61J 7/0053
See application file for complete search history.

(56) **References Cited**

U.S. PATENT DOCUMENTS

D123,312 S * 10/1940 Peo D9/697
3,096,915 A * 7/1963 Taylor B65D 47/2031
222/495

4,729,496 A * 3/1988 Davidson B65D 35/32
222/107
4,863,014 A * 9/1989 Summons B65D 83/0005
206/229
D309,097 S * 7/1990 Price D24/115
D392,184 S * 3/1998 Weiler D9/696
D471,628 S * 3/2003 Louviere D24/115
D518,891 S * 4/2006 Strong D24/115
D652,739 S * 1/2012 Komai D9/697
D710,993 S * 8/2014 DeCoste, Jr. D24/115
D729,065 S * 5/2015 Muhl D9/529
D730,744 S * 6/2015 Kim D9/697
D736,096 S * 8/2015 Marotti D9/696

* cited by examiner

Primary Examiner — David Muller

Assistant Examiner — Nathan Johnston

(74) *Attorney, Agent, or Firm* — Jonathan Harris; Aseem Mehta

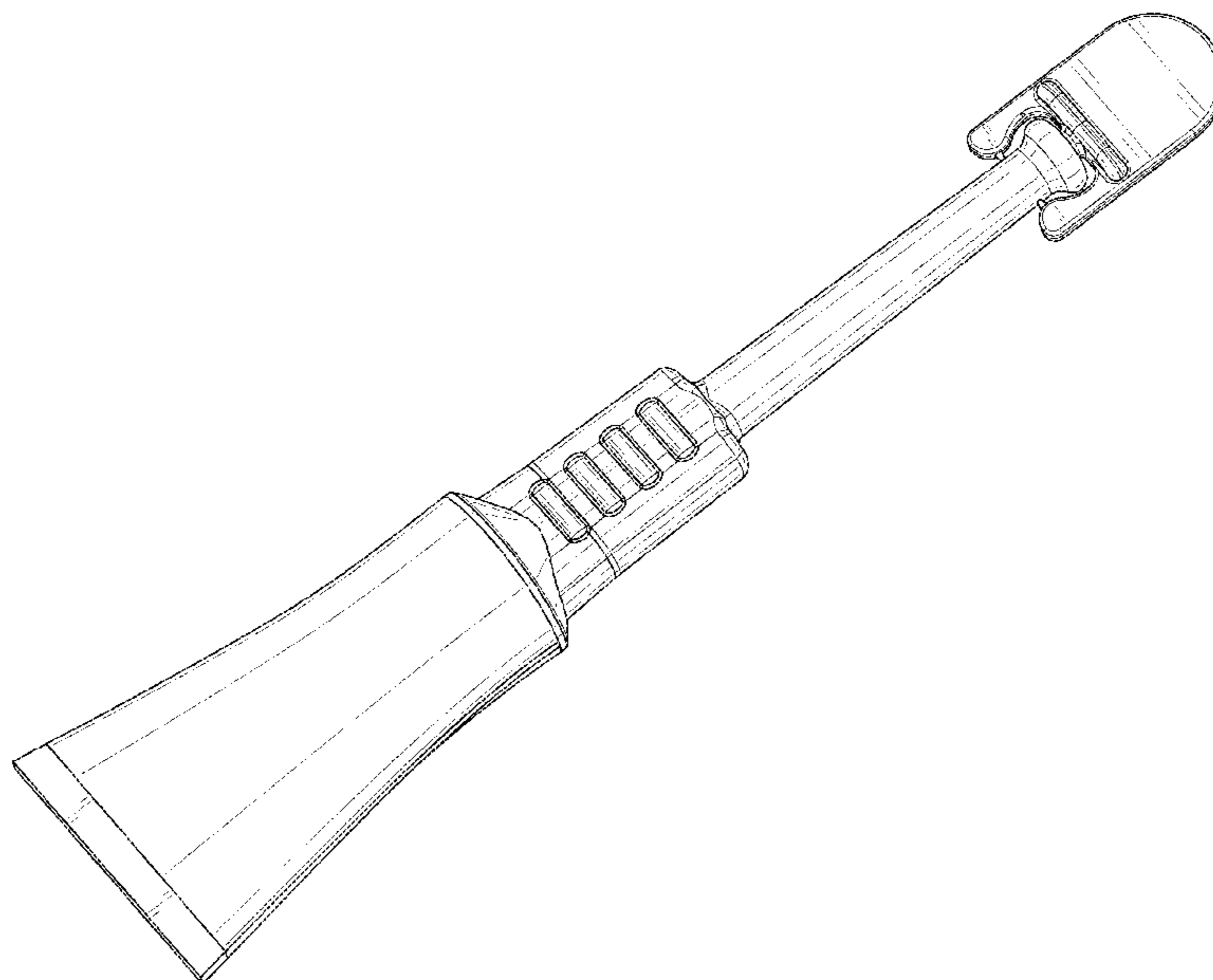
(57) **CLAIM**

The ornamental design for a plastic tube with application nozzle, as shown.

DESCRIPTION

FIG. 1 is a front perspective view of a plastic tube with application nozzle according to the present invention; FIG. 2 is a top plan view thereof; FIG. 3 is a bottom plan view thereof; FIG. 4 is a right side elevation view thereof; FIG. 5 is a left side elevation view thereof; FIG. 6 is a front elevation view thereof; and, FIG. 7 is a rear elevation view thereof.

1 Claim, 7 Drawing Sheets



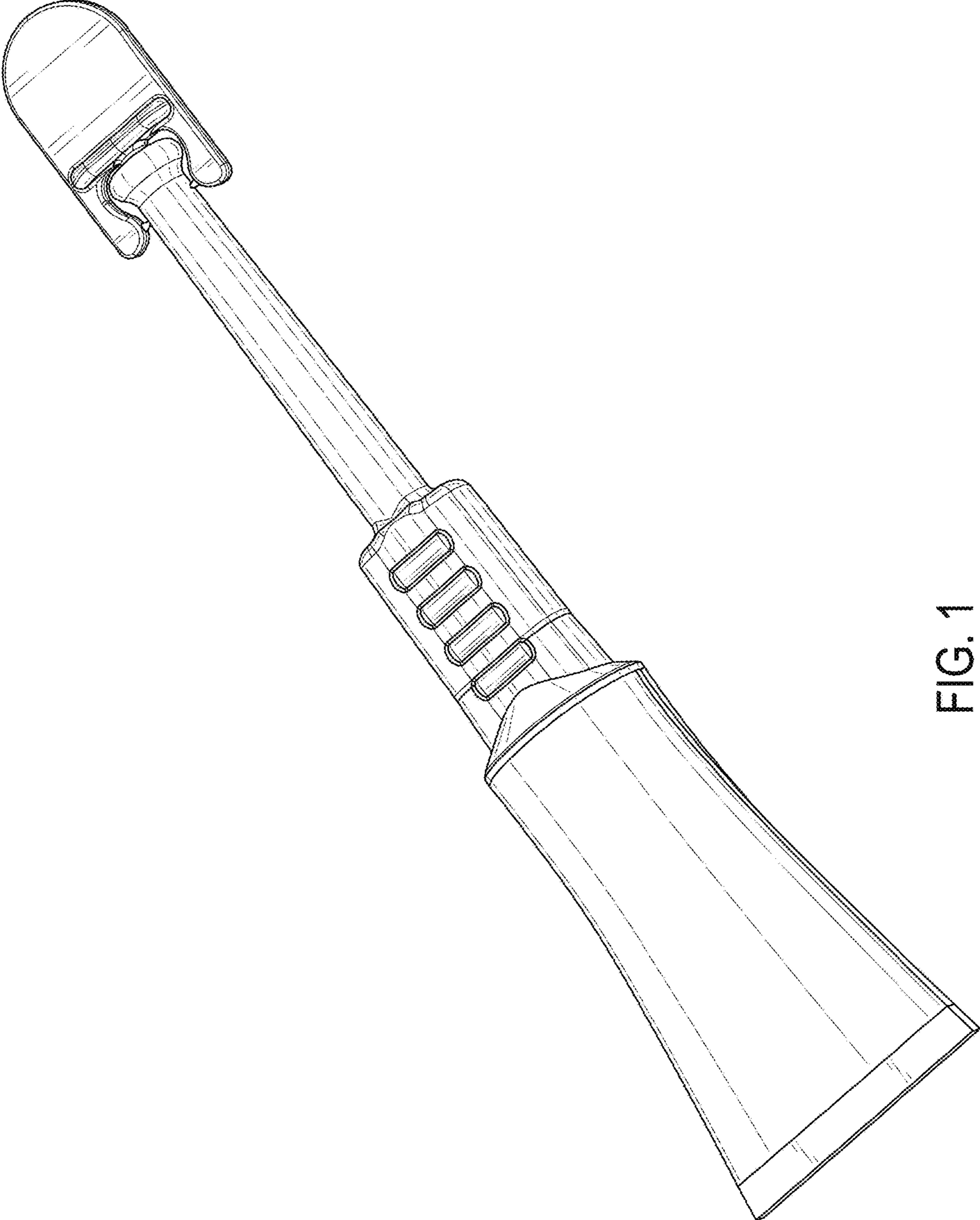


FIG. 1

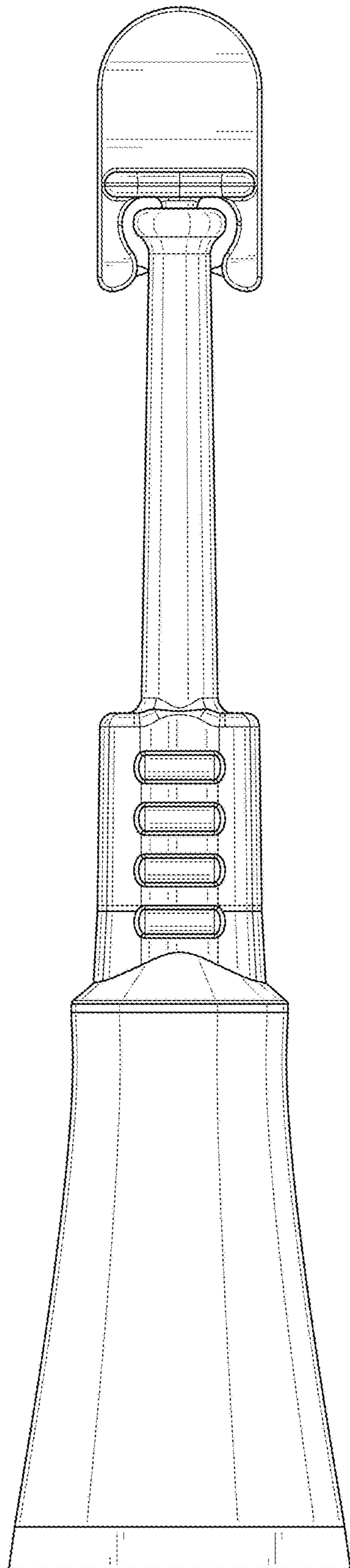


FIG. 2

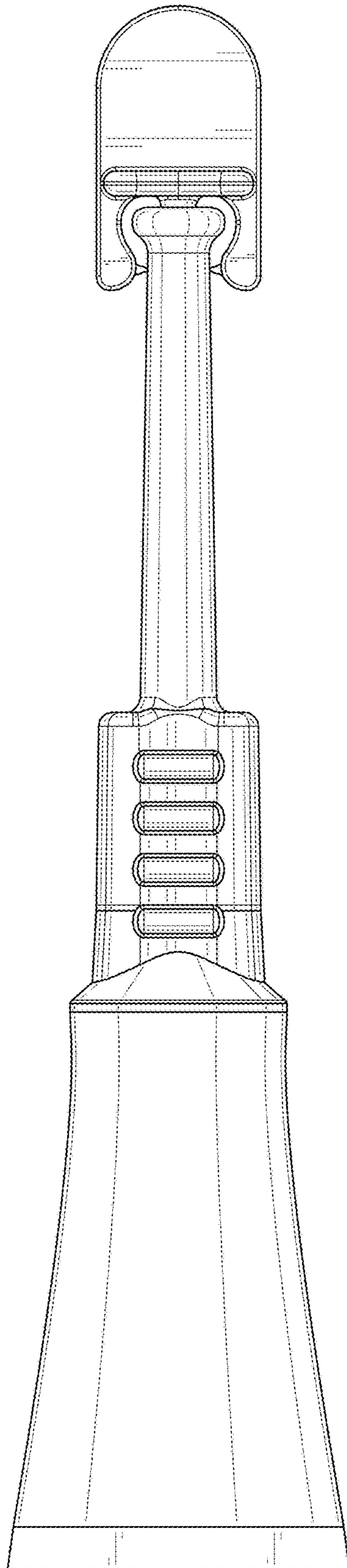


FIG. 3

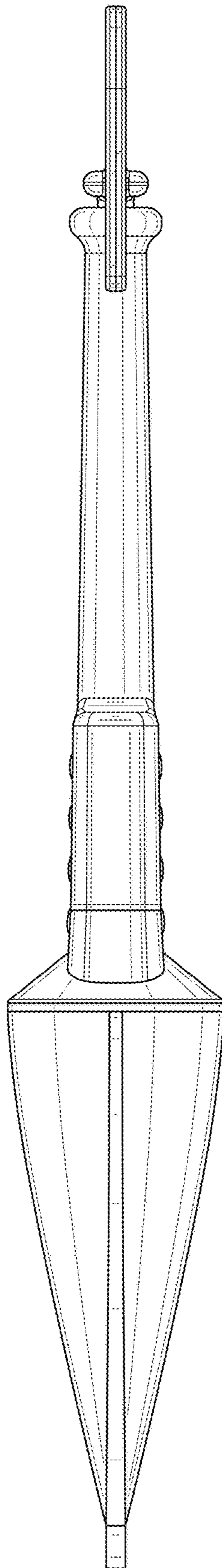


FIG. 4

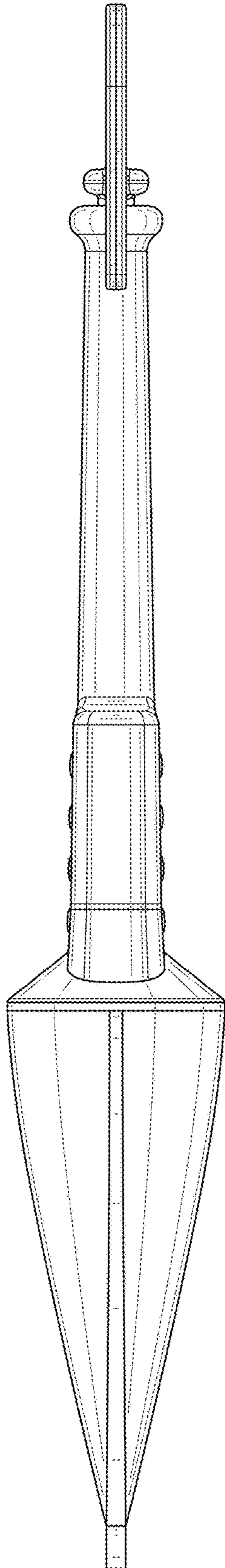


FIG. 5

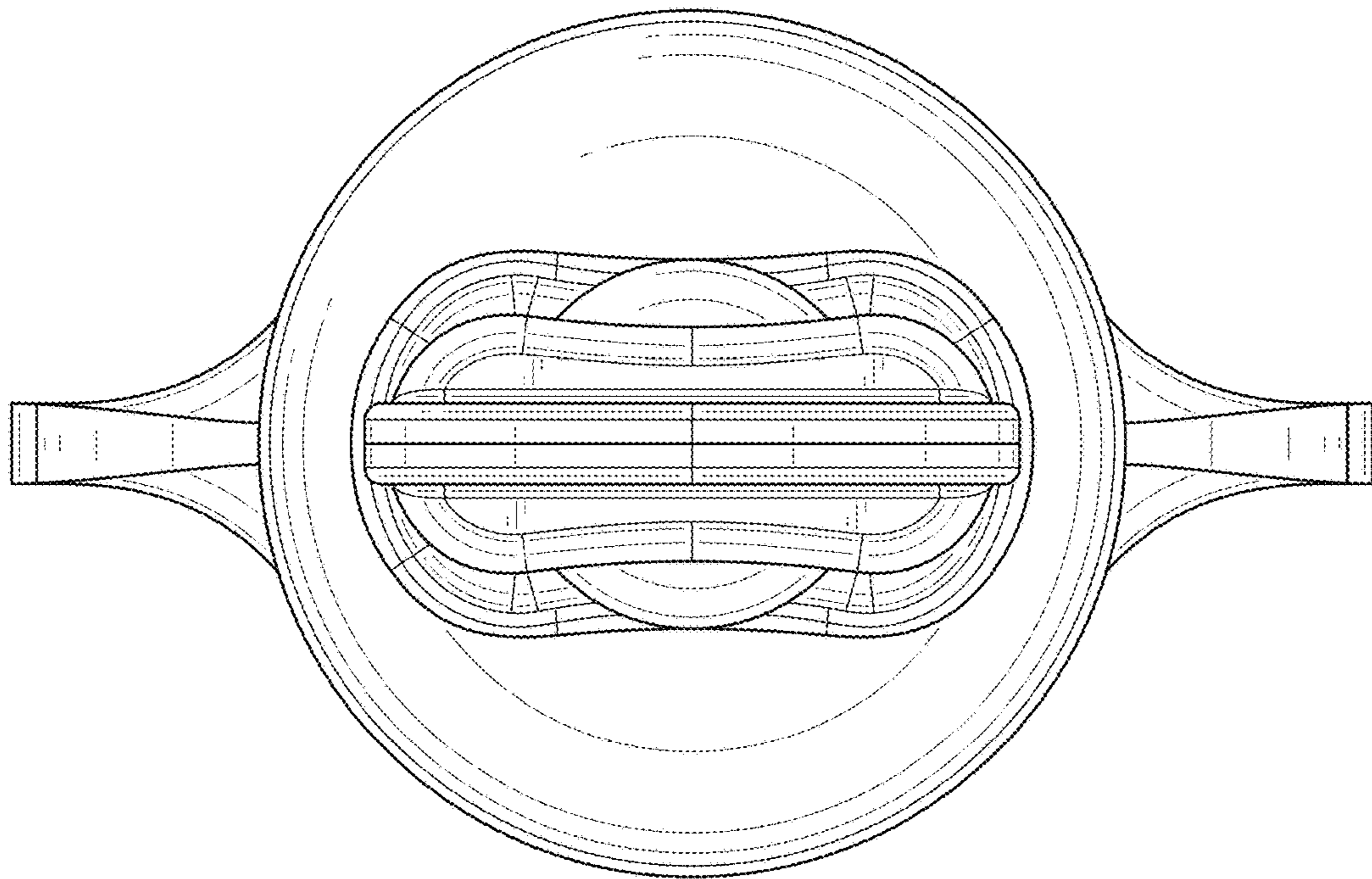


FIG. 6

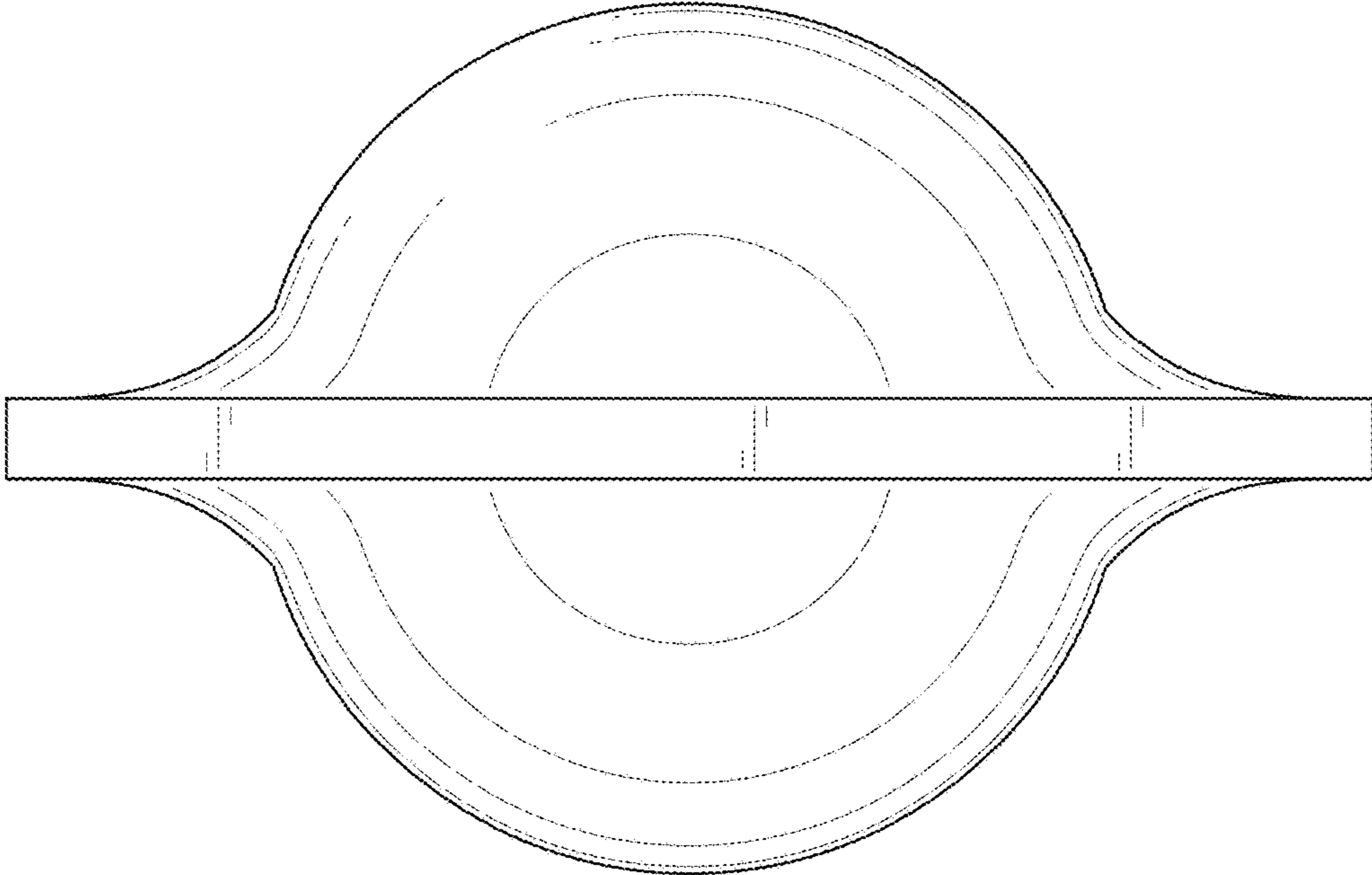


FIG. 7