



US00D779651S

(12) **United States Design Patent**  
**Luchterhand et al.**

(10) **Patent No.:** **US D779,651 S**

(45) **Date of Patent:** **\*\* Feb. 21, 2017**

(54) **BREATHING MASK**

(71) Applicant: **Humedics GmbH**, Berlin (DE)

(72) Inventors: **Axel Luchterhand**, Berlin (DE);  
**Alexander Helmke**, Berlin (DE)

(73) Assignee: **HUMEDICS GMBH**, Berlin (DE)

(\*\*) Term: **14 Years**

(21) Appl. No.: **29/498,473**

(22) Filed: **Aug. 4, 2014**

(30) **Foreign Application Priority Data**

Feb. 5, 2014 (WO) ..... 791151401

(51) **LOC (10) Cl.** ..... **29-02**

(52) **U.S. Cl.**  
USPC ..... **D24/110.4**

(58) **Field of Classification Search**  
USPC ..... D24/110, 110.1–110.5, 127; D29/108  
CPC ..... A61M 16/0616; A61M 16/0633;  
A61M 16/06; A61M 16/0666; A61M  
16/0683  
See application file for complete search history.

(56) **References Cited**

**U.S. PATENT DOCUMENTS**

D258,994 S *	4/1981	Grane	.....	D24/110.4
D293,613 S *	1/1988	Wingler	.....	D24/110.1
4,799,477 A *	1/1989	Lewis	.....	A62B 18/025 128/200.27
4,807,617 A *	2/1989	Nesti	.....	A61M 16/06 128/203.29
D300,473 S *	3/1989	Roush	.....	D24/110.4
D302,746 S *	8/1989	Shirley	.....	D24/110.4
D305,166 S *	12/1989	Quinn	.....	D24/110.4
D321,419 S	11/1991	Wallace		
D323,908 S *	2/1992	Hollister	.....	D24/110.1

D333,015 S *	2/1993	Farmer	.....	D24/110.4
D347,495 S *	5/1994	Baldwin	.....	D24/110.1
D349,586 S *	8/1994	Handke	.....	D24/110.4
D434,141 S	11/2000	Radeberg et al.		
6,543,446 B1 *	4/2003	Christopher	.....	A61M 16/0488 128/200.26
D499,803 S	12/2004	Chang		
7,243,652 B2 *	7/2007	Chang	.....	A61M 16/06 128/206.26
D582,031 S	12/2008	Sorensen		
D598,537 S	8/2009	Nashed		
D615,643 S	5/2010	Nashed		
D625,405 S	10/2010	Nashed		

(Continued)

**FOREIGN PATENT DOCUMENTS**

RU 69715 S 3/2009

*Primary Examiner* — Sheryl Lane

*Assistant Examiner* — Lilyana Bekic

(74) *Attorney, Agent, or Firm* — Maschoff Brennan

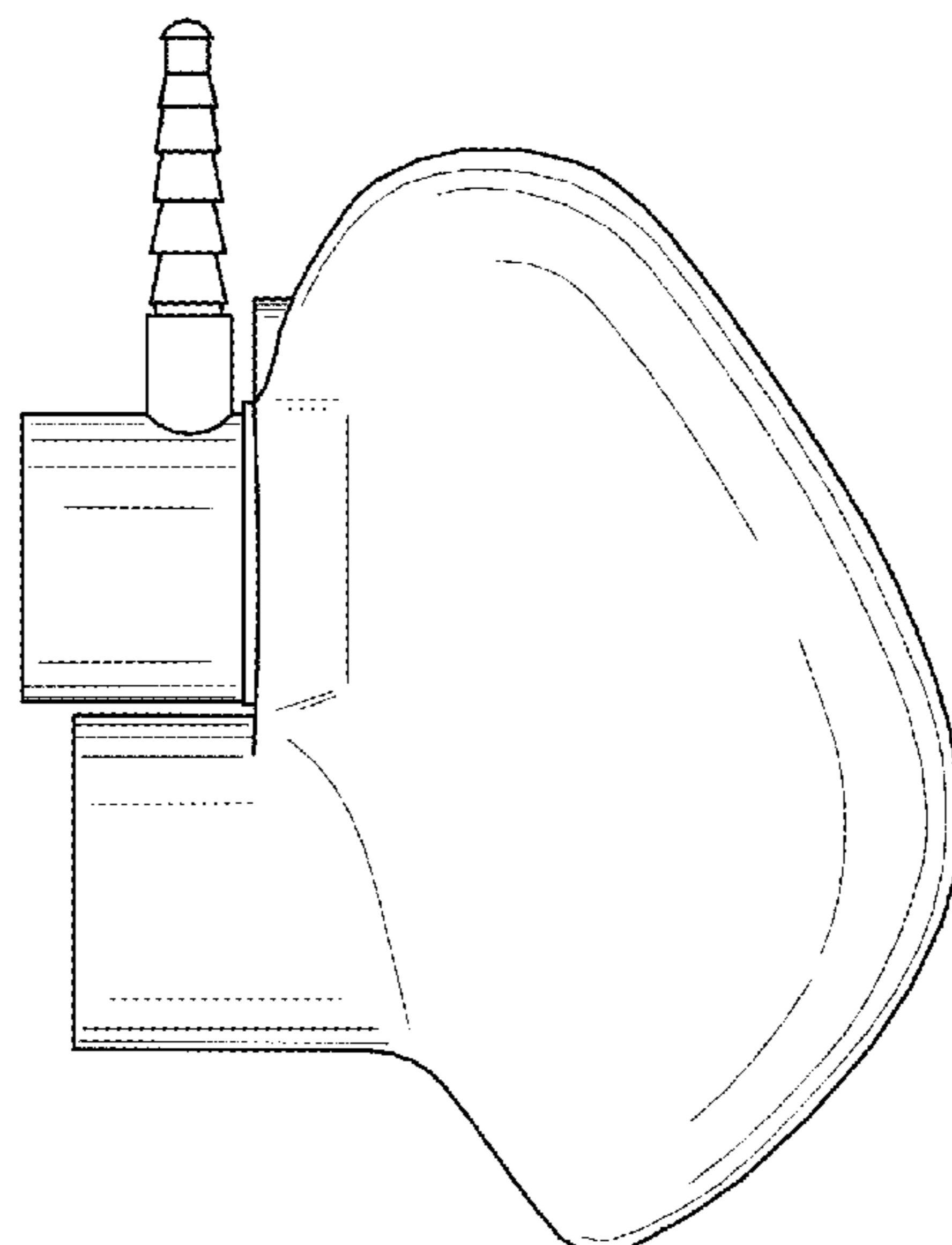
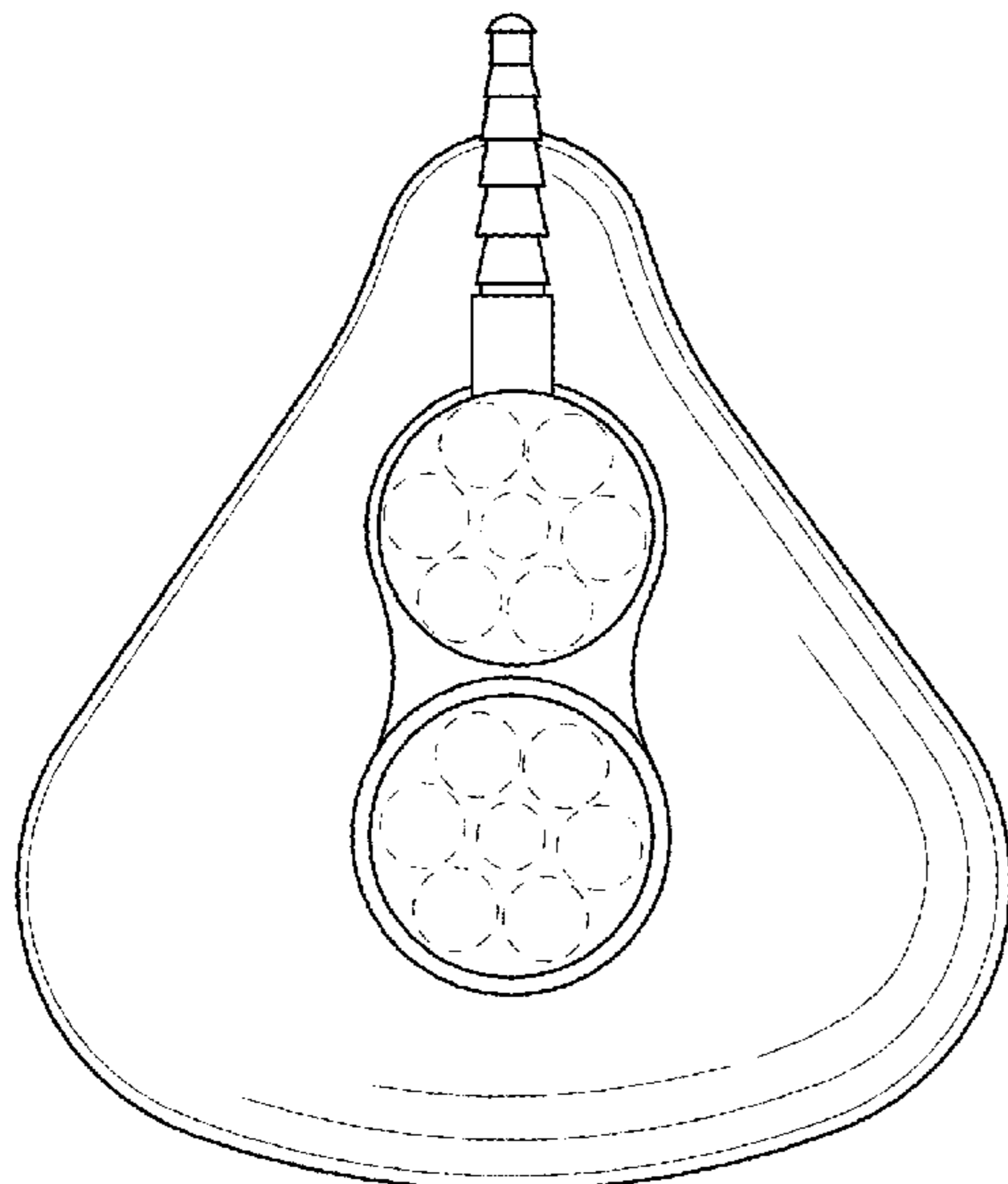
(57) **CLAIM**

The ornamental design for a breathing mask, as shown and described.

**DESCRIPTION**

FIG. 1 is a front view showing the outside of the breathing mask, showing our new design;  
 FIG. 2 is a back view of the breathing mask shown in FIG. 1, showing the inside of the breathing mask;  
 FIG. 3 is a right hand side view of the breathing mask shown in FIG. 1;  
 FIG. 4 is a left hand side view of the breathing mask shown in FIG. 1;  
 FIG. 5 is a top view of the breathing mask shown in FIG. 1; and,  
 FIG. 6 is a bottom view of the breathing mask shown in FIG. 1.

**1 Claim, 6 Drawing Sheets**



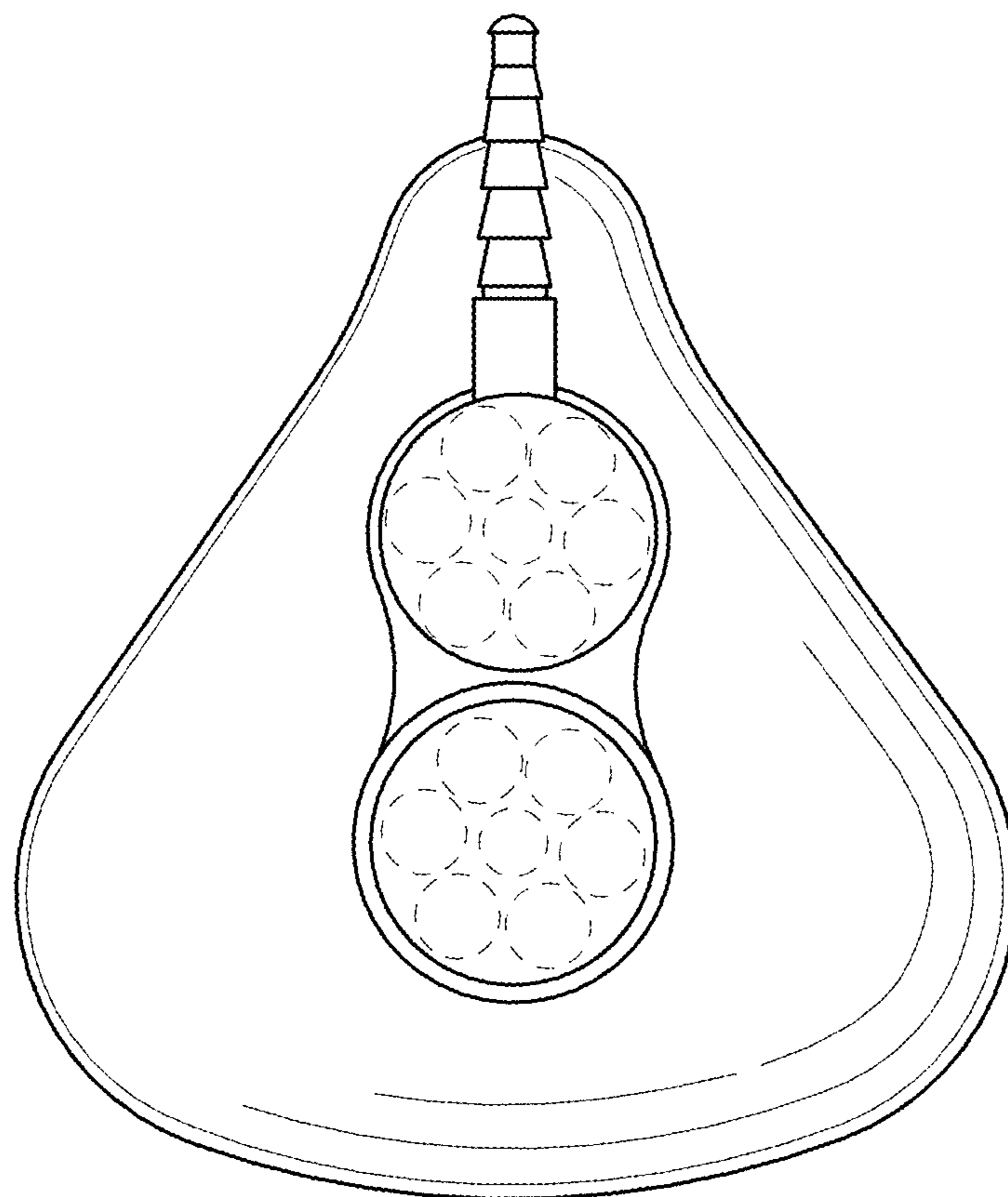
(56)

**References Cited**

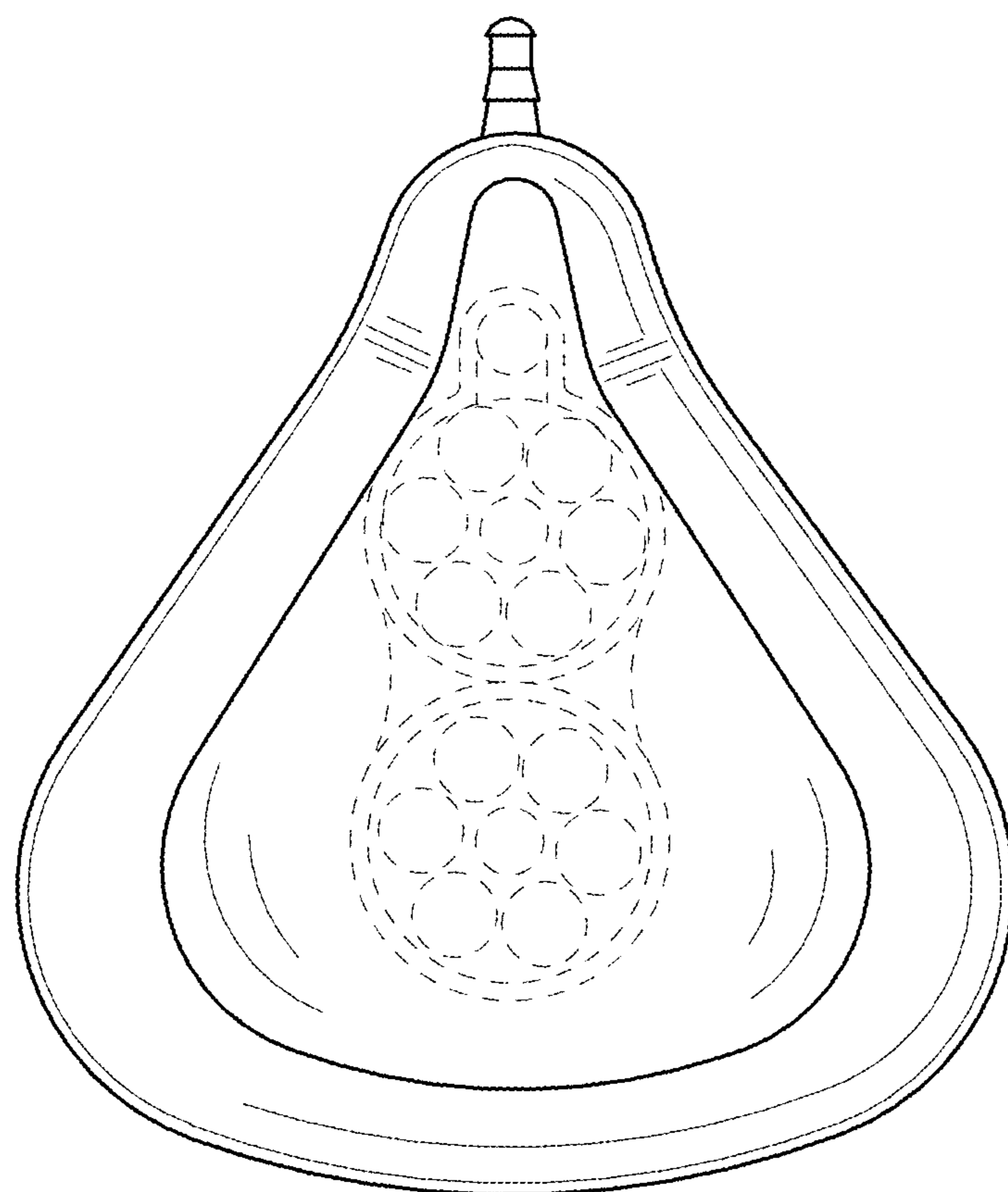
U.S. PATENT DOCUMENTS

D658,284	S	4/2012	Nashed	
8,393,324	B1 *	3/2013	Saad .....	A61M 16/06 128/205.13
8,413,656	B2 *	4/2013	Warren .....	A61F 9/04 128/206.25
D689,603	S	9/2013	Stockmann	
D695,888	S *	12/2013	Darab .....	D24/110.4
D697,202	S *	1/2014	Nashed .....	D24/110.1
2002/0134388	A1 *	9/2002	Chang .....	A61M 16/06 128/206.21
2003/0168063	A1 *	9/2003	Gambone .....	A61M 16/06 128/203.16
2003/0172932	A1	9/2003	Matioc	
2005/0139220	A1 *	6/2005	Christopher .....	A61M 16/04 128/207.14
2006/0207600	A1 *	9/2006	Burrow .....	A61M 16/06 128/207.11
2007/0006882	A1 *	1/2007	Chang .....	A62B 9/02 128/205.24
2007/0295335	A1 *	12/2007	Nashed .....	A61M 16/06 128/206.24
2008/0295845	A1 *	12/2008	Nashed .....	A61M 16/06 128/206.26
2010/0122705	A1 *	5/2010	Moening, Jr. ....	A61M 16/009 128/206.24
2010/0122706	A1 *	5/2010	Moening, Jr. ....	A61M 16/06 128/206.24
2010/0143880	A1	6/2010	Stockmann et al.	
2010/0275919	A1 *	11/2010	Sung .....	A61M 16/06 128/204.22
2011/0083670	A1 *	4/2011	Walacavage .....	A61M 16/06 128/205.12
2014/0150799	A1 *	6/2014	Daly .....	A61M 16/06 128/206.25

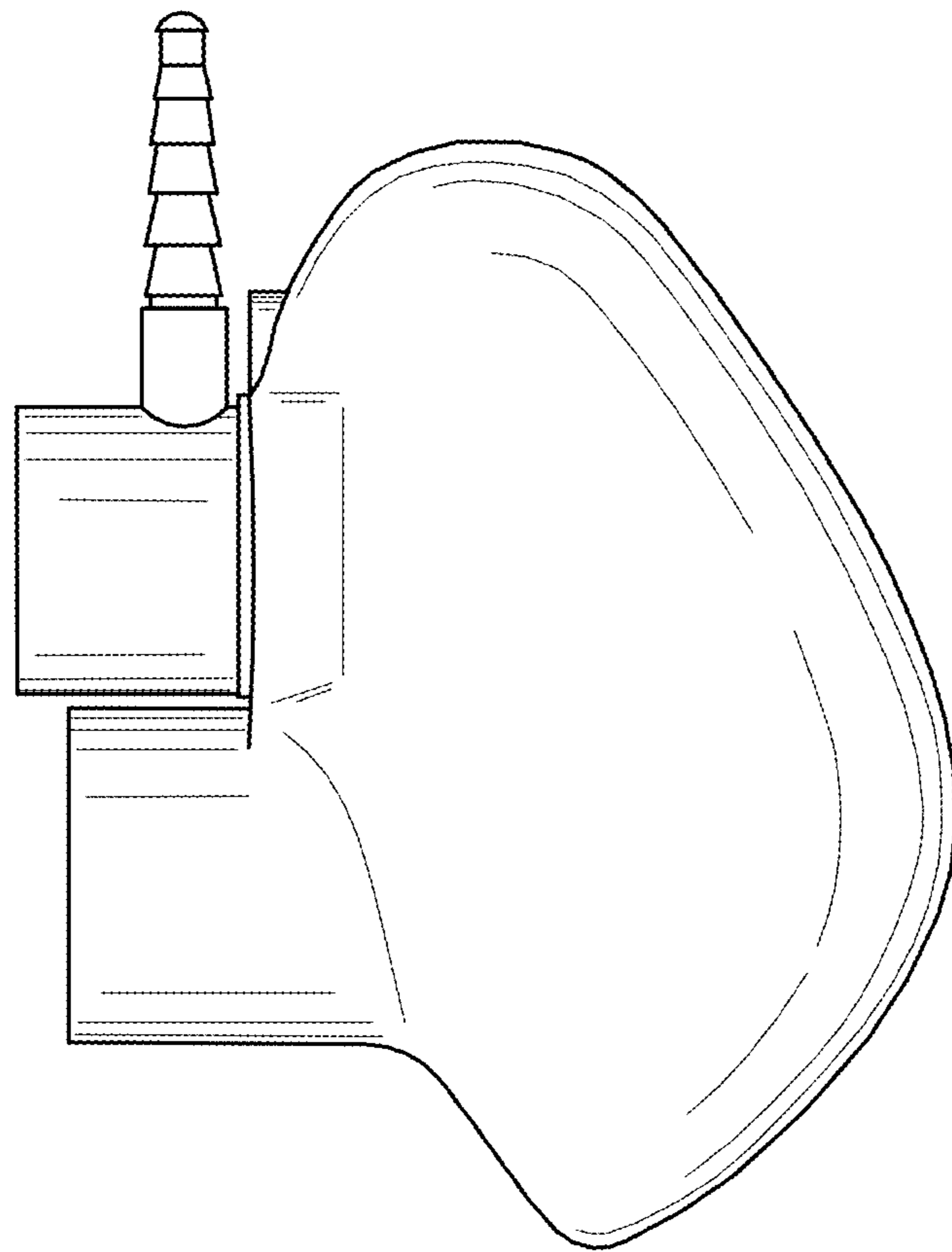
\* cited by examiner



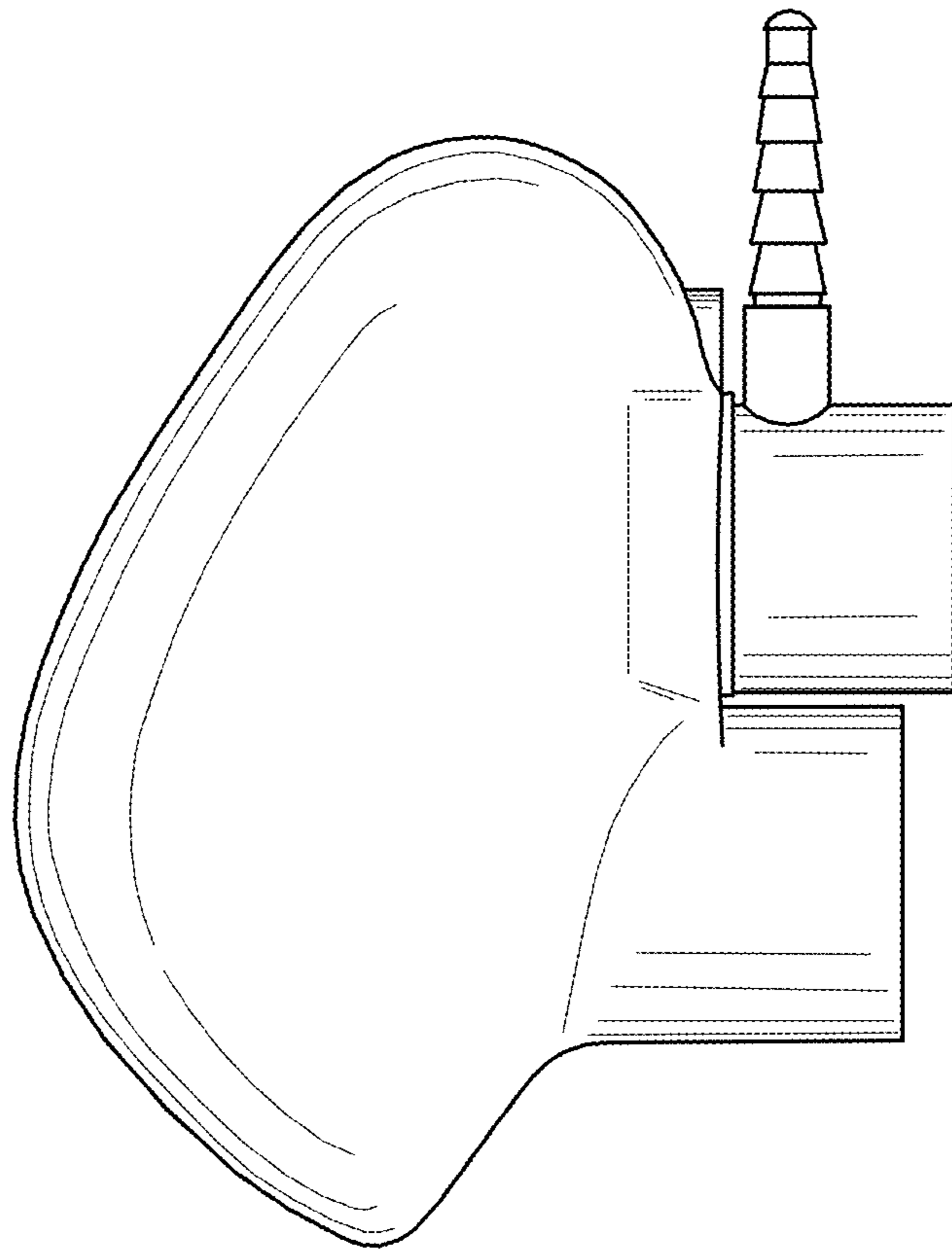
**FIG. 1**



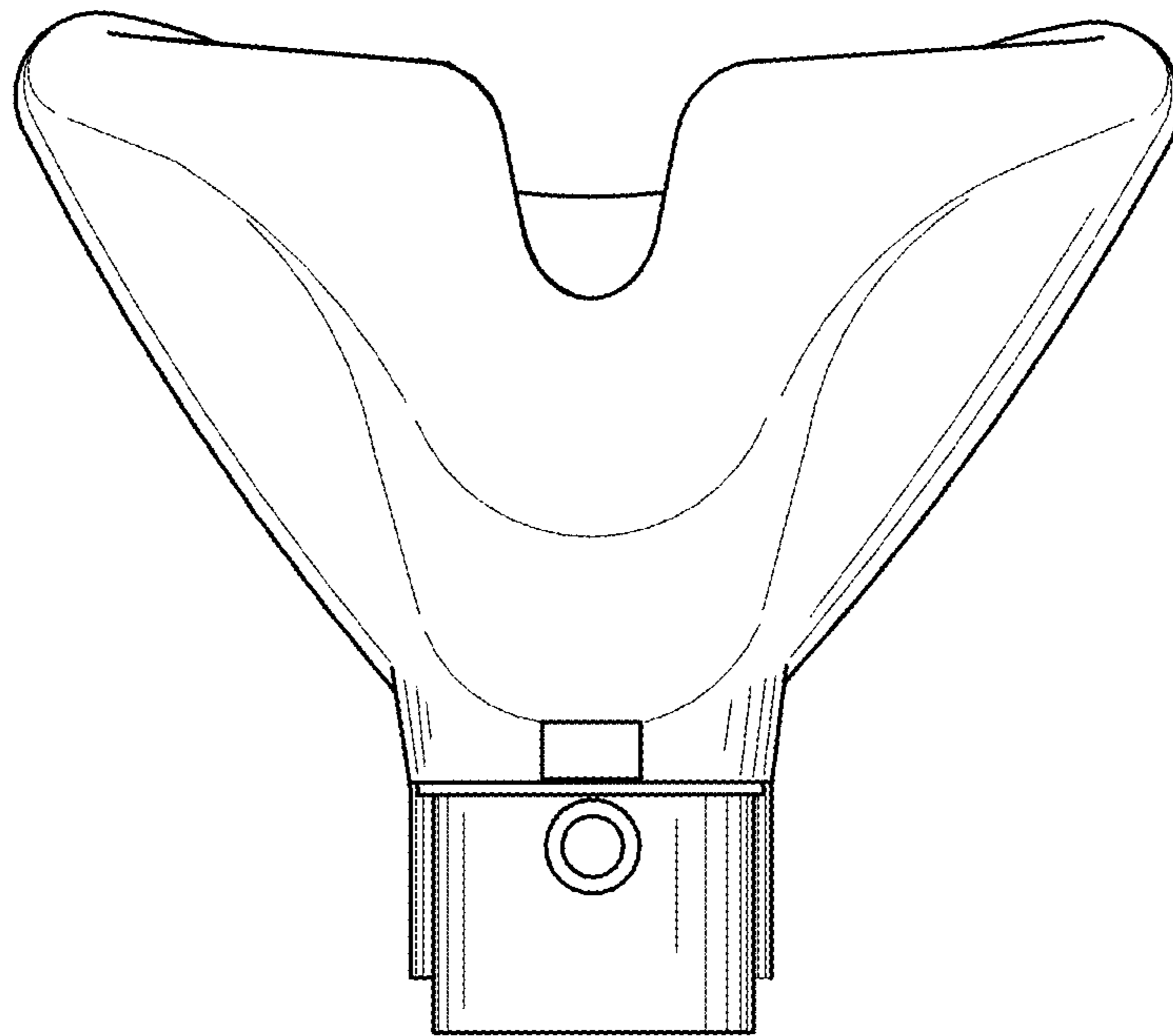
**FIG. 2**



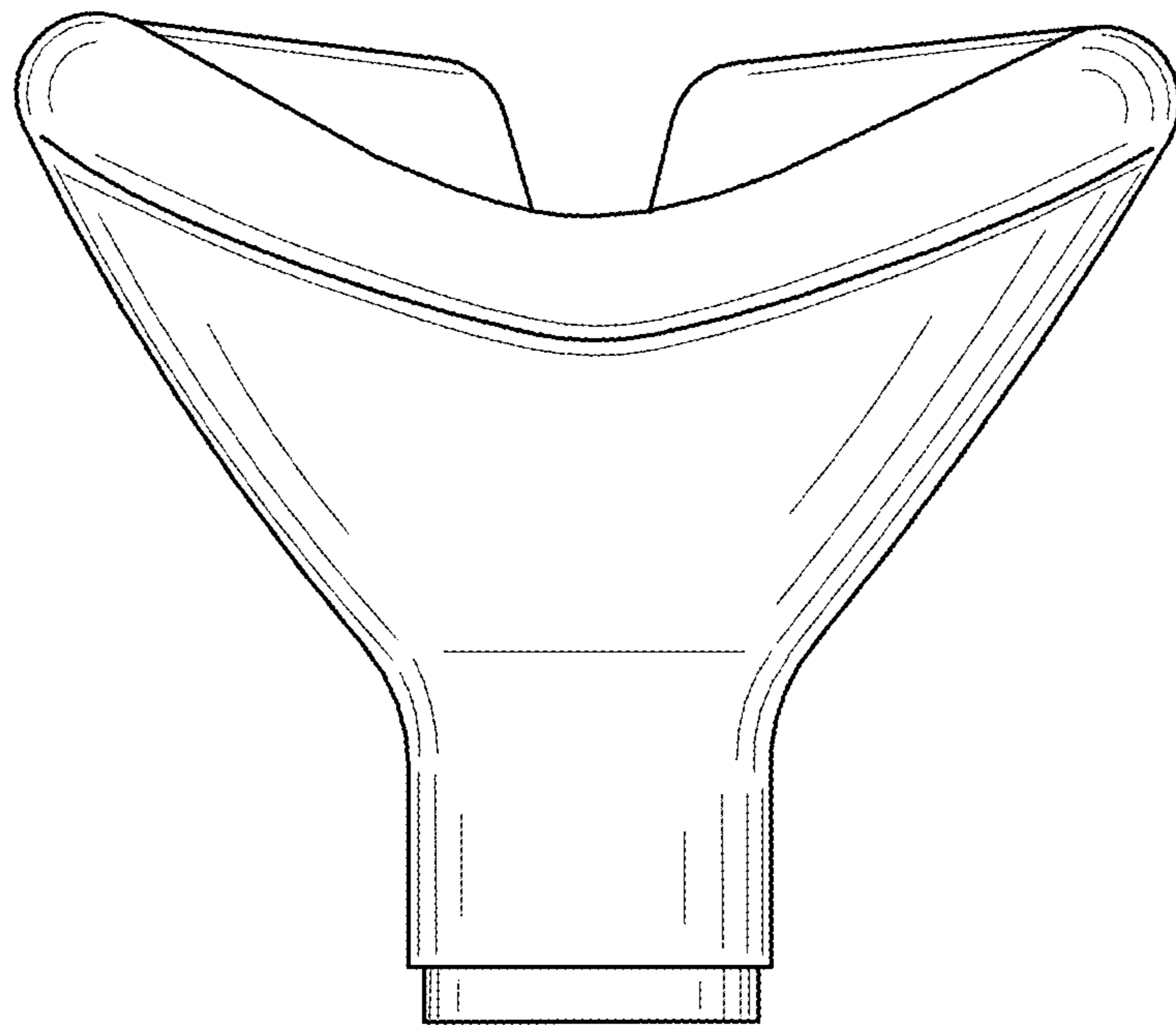
**FIG. 3**



**FIG. 4**



**FIG. 5**



**FIG. 6**