



US00D779650S

(12) **United States Design Patent** (10) **Patent No.:** **US D779,650 S**
Poehlman et al. (45) **Date of Patent:** **** Feb. 21, 2017**

(54) **AIR INLET DAMPER**

(71) Applicant: **A. O. SMITH CORPORATION**,
Milwaukee, WI (US)

(72) Inventors: **Robert Frederick Poehlman**, Cudahy,
WI (US); **Janice Fitzgerald**, Mequon,
WI (US)

(73) Assignee: **A. O. SMITH CORPORATION**,
Milwaukee, WI (US)

(**) Term: **15 Years**

(21) Appl. No.: **29/535,592**

(22) Filed: **Aug. 7, 2015**

(51) **LOC (10) Cl.** **23-04**

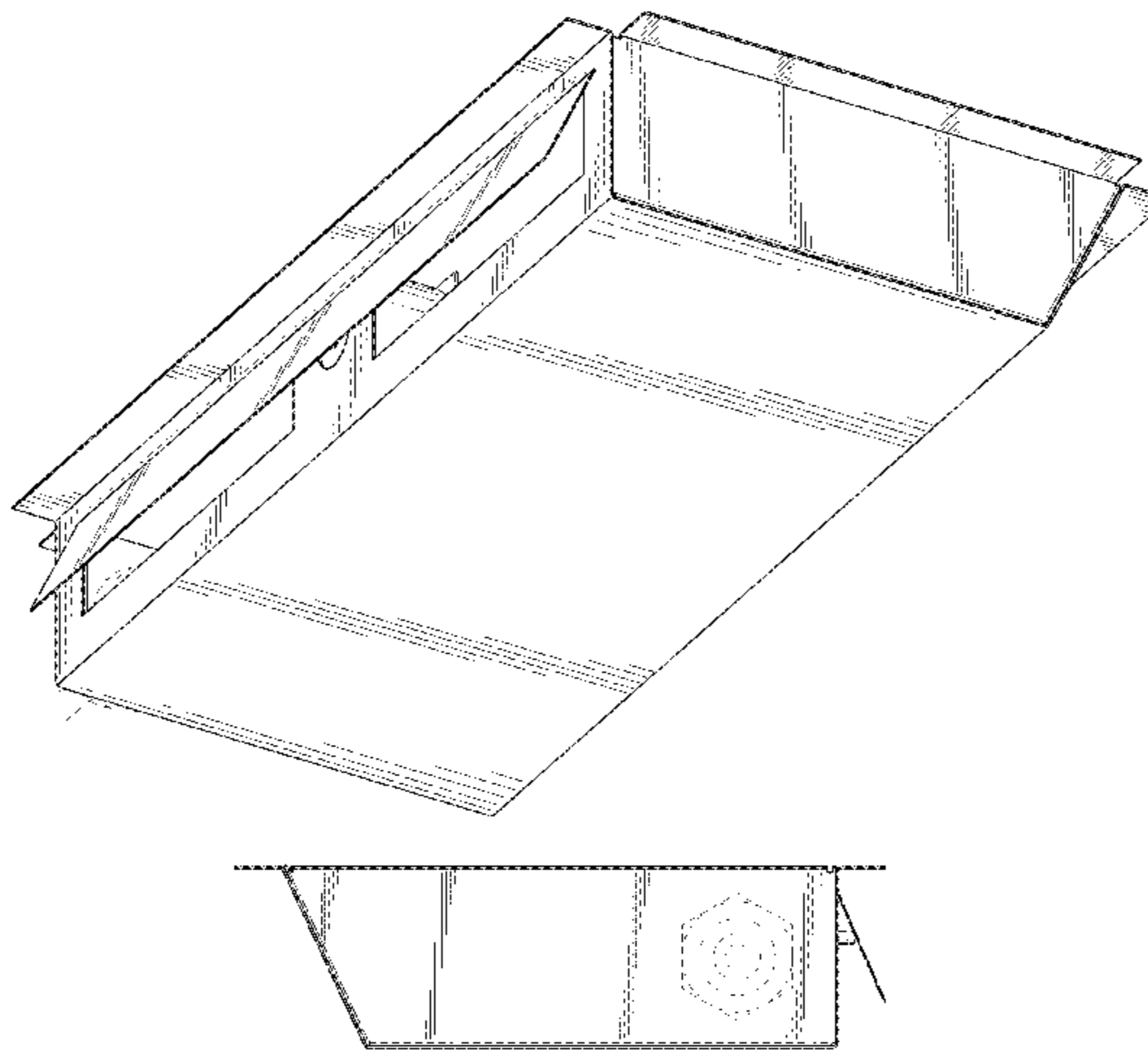
(52) **U.S. Cl.**
USPC **D23/393**

(58) **Field of Classification Search**
USPC ... D13/139.2; D23/323, 328, 333, 335, 336,
D23/337, 341, 352, 357, 370, 385, 386,
D23/388, 392, 397, 399, 400, 406, 411,
D23/412, 413, 499
CPC .. B65D 7/00; B65D 67/02; F16M 1/00; F24F
1/027; F24F 13/32; F25D 23/10; E04F
17/08; F16L 3/26; F16L 9/22; F16K
1/221; F16K 1/443; F16K 31/122; F23L
11/005; F24H 1/205; F24H 9/0026; F24H
9/0031; F24H 9/2035; F23N 2025/22;
F23N 2035/18; F23N 2035/20
See application file for complete search history.

(56) **References Cited**
U.S. PATENT DOCUMENTS

1,173,484 A	2/1916	Clay
1,198,675 A	9/1916	Smythe
1,488,694 A	2/1923	Marks
1,720,789 A	7/1929	Heusser
1,790,454 A	1/1931	Arrowsmith
1,991,557 A	2/1935	Johnson
2,080,726 A	5/1937	Lowinger
2,229,388 A	1/1941	Postlewait

D132,821 S *	6/1942	Leslie	D23/373
2,364,791 A *	12/1944	Horne	F24H 1/205 122/17.2
2,628,551 A *	2/1953	Leigh	F24F 7/02 454/366
2,834,622 A	5/1958	Reeves		
3,093,059 A *	6/1963	Metz	E04D 13/0325 454/358
3,733,812 A	5/1973	Lawrence		
3,835,986 A *	9/1974	Le Beau	B65D 81/02 206/320
D245,620 S	8/1977	Berry		
4,046,318 A *	9/1977	Ripley	F23L 11/005 110/163
4,076,171 A	2/1978	Swenson		
4,182,483 A	1/1980	Swenson		
4,234,012 A	11/1980	Schupback		
4,261,824 A	4/1981	Cuschera		
4,266,929 A	5/1981	Swenson		
4,297,818 A *	11/1981	Anderson	F24F 7/02 454/366
4,368,663 A *	1/1983	Tabacco	F23J 13/08 126/286
4,396,371 A	8/1983	Lorenz et al.		
4,479,733 A	10/1984	Segal		
D277,027 S *	1/1985	Waltz	D23/373
D277,028 S *	1/1985	Waltz	D23/373
4,509,913 A	4/1985	Lorenz et al.		
4,592,269 A *	6/1986	Lamparter	B60H 1/248 454/115
D285,546 S *	9/1986	Hayslette	D12/404
4,615,263 A *	10/1986	Titterud	B60J 7/1642 454/94
D296,584 S *	7/1988	Hilton	D23/370
4,790,289 A	12/1988	Barrett		
D300,655 S *	4/1989	Buehler	D23/403
4,817,564 A *	4/1989	Akkala	F23C 5/00 122/18.31
4,819,689 A	4/1989	Owsley et al.		
4,875,465 A	10/1989	Kramer		
4,878,482 A	11/1989	Pfeffer		
4,879,801 A	11/1989	Stubbe et al.		
4,907,569 A	3/1990	Lemense		
4,909,385 A *	3/1990	Blymiller	B65D 5/5028 206/319
D321,743 S	11/1991	Logue et al.		
D327,317 S *	6/1992	Courchesne	D23/385
D332,139 S *	12/1992	Courchesne	D23/385
D333,830 S	3/1993	Lampe		
D335,123 S *	4/1993	Smiley	D14/315
5,487,219 A	1/1996	Ruehl et al.		



US D779,650 S

5,501,634 A *	3/1996	Wilder	B60H 1/00378 454/109	D656,601 S *	3/2012	Roderique	D23/386
5,503,181 A	4/1996	Kennedy		D659,460 S	5/2012	Boone	
5,531,214 A	7/1996	Cheek		8,196,552 B2	6/2012	Whitford et al.	
5,591,080 A *	1/1997	Ward	F24F 7/02 454/359	8,205,401 B2 *	6/2012	Ward	F24F 7/02 454/367
D378,578 S	3/1997	Eberhardt		D662,870 S *	7/2012	Russ	D12/404
D381,412 S	7/1997	Rimback		D665,210 S	8/2012	Hughes	
5,662,522 A *	9/1997	Waltz	F24F 7/02 454/359	D666,285 S	8/2012	Schrad et al.	
5,672,101 A *	9/1997	Thomas	B60H 1/262 454/136	D666,707 S *	9/2012	Eikhoff	D23/393
D393,707 S	4/1998	Kelly		RE43,717 E	10/2012	DeForte et al.	
5,735,086 A *	4/1998	Fordahl	E04D 13/03 454/195	D672,450 S *	12/2012	Milks	D23/387
5,756,933 A	5/1998	Pitchford et al.		D680,253 S	4/2013	Herberholt	
D394,901 S	6/1998	Governale et al.		D688,289 S	8/2013	Hodgson	
5,792,230 A	8/1998	Moore et al.		D690,065 S *	9/2013	Schoenster	D32/25
5,947,815 A	9/1999	Danforth		D690,457 S	9/2013	Lu	
6,041,771 A	3/2000	Hayes		D693,493 S	11/2013	Kim	
D425,612 S	5/2000	Andersen		8,607,719 B1	12/2013	Kuzni	
6,118,108 A	9/2000	Ufford		D698,962 S	2/2014	Waldmann	
6,155,008 A *	12/2000	McKee	E04D 13/0325 52/198	D701,095 S	3/2014	Arvan	
D436,163 S *	1/2001	Peterson	D23/393	D702,817 S	4/2014	Ryu	
D442,273 S *	5/2001	Pestell	D23/393	D703,305 S *	4/2014	Stollenwerk O'Hagin .	D23/373
6,293,862 B1 *	9/2001	Jafine	F24F 7/02 454/359	D703,307 S *	4/2014	Little	D23/393
D451,214 S	11/2001	Gollob et al.		D704,815 S *	5/2014	Butler	D23/373
6,481,361 B1	11/2002	Schindler et al.		D704,816 S *	5/2014	Butler	D23/373
6,514,135 B1 *	2/2003	Kelly	B60H 1/262 454/129	D704,817 S *	5/2014	Butler	D23/373
6,523,575 B1	2/2003	Mrsny		D705,420 S *	5/2014	Eichelberg	D23/387
D478,977 S	8/2003	Snyder		D708,779 S	7/2014	Cha et al.	
D482,813 S	11/2003	Waldmann		8,794,228 B2	8/2014	Richter et al.	
D490,506 S	5/2004	Snyder		D714,928 S	10/2014	Urano	
D490,553 S	5/2004	Waldmann		D720,437 S *	12/2014	Togawa	D23/261
6,854,428 B1	2/2005	Hotton et al.		D724,715 S *	3/2015	Isshiki	D23/351
D505,195 S *	5/2005	Snyder	D23/393	D727,486 S	4/2015	Sebert et al.	
7,004,832 B2 *	2/2006	Thomas	B60H 1/262 454/129	D727,489 S	4/2015	Rohskopf et al.	
D517,006 S *	3/2006	Bessmertny	D13/102	D731,047 S *	6/2015	Leonard	D23/373
7,013,841 B1	3/2006	Boros et al.		D732,708 S	6/2015	Stauffer et al.	
7,032,543 B1	4/2006	Akkala et al.		D734,861 S	7/2015	Johnson et al.	
7,055,465 B1	6/2006	Huang et al.		D736,365 S *	8/2015	Breneman	D23/372
D528,644 S	9/2006	Schwamkrug		D737,421 S *	8/2015	Jannello	D23/386
D534,450 S	1/2007	Müller		D738,027 S	9/2015	Wang et al.	
D535,009 S	1/2007	Sinur et al.		D743,520 S *	11/2015	Sinur	D23/372
D536,778 S *	2/2007	O'Hagin	D23/393	D744,632 S	12/2015	Ehlert et al.	
D537,570 S *	2/2007	Sanders	D28/54.1	D748,239 S	1/2016	Daniels	
D549,316 S *	8/2007	O'Hagin	D23/393	D749,204 S *	2/2016	Breneman	D23/372
D556,314 S *	11/2007	Daniels, II	D23/393	D749,342 S	2/2016	Escandon	
D569,491 S	5/2008	DeForte		D750,314 S	2/2016	Hobson et al.	
D571,450 S *	6/2008	Brown	D23/387	D750,564 S	3/2016	Weagle	
D576,264 S	9/2008	Grobleben		D752,770 S *	3/2016	Kuhn	D24/227
D587,797 S *	3/2009	Blanchard	D23/370	D754,304 S	4/2016	Morris et al.	
7,508,103 B2	3/2009	Watkins et al.		D754,835 S	4/2016	Uehara et al.	
7,513,221 B2	4/2009	Akkala et al.		D755,349 S	5/2016	Murphey et al.	
D597,239 S	7/2009	Hodgson		D755,944 S *	5/2016	Daniels	D23/373
D598,959 S	8/2009	Kiddoo		D757,237 S	5/2016	Gonzalez	
7,651,390 B1 *	1/2010	Profeta	F24F 13/06 454/284	D758,107 S	6/2016	Hamilton	
D612,040 S *	3/2010	Daniels	D23/373	D758,680 S	6/2016	Hoffman et al.	
D618,332 S *	6/2010	Kimura	D23/388	2001/0049261 A1 *	12/2001	McKee	F24F 13/084 454/367
D618,780 S *	6/2010	Williams, Sr.	D23/373	2002/0171059 A1	11/2002	Sakurai et al.	
D624,639 S *	9/2010	Dilorenzo	D23/365	2003/0054754 A1 *	3/2003	McKee	F24F 13/0852 454/367
D625,800 S *	10/2010	Daniels	D23/373	2003/0079905 A1	5/2003	Higgs	
D628,718 S	12/2010	Grubka et al.		2003/0116213 A1 *	6/2003	DiMarco	F16L 9/003 138/114
D629,093 S *	12/2010	Polston	D23/373	2003/0153262 A1 *	8/2003	Mantyla	E04D 13/17 454/367
D629,882 S	12/2010	Nguyen		2003/0161742 A1 *	8/2003	Lin	F04D 29/5893 417/410.1
D631,431 S *	1/2011	DeFelice	D13/102	2004/0177871 A1	9/2004	Harbaugh	
D634,419 S *	3/2011	Lambertson	D23/393	2004/0195923 A1	10/2004	Staigl, III et al.	
D641,462 S	7/2011	Rafi		2004/0238651 A1	12/2004	Juntunen et al.	
8,001,643 B1 *	8/2011	James	F16L 3/23 14/69.5	2005/0184268 A1 *	8/2005	Narayanaswamy ...	B23K 31/02 251/308
D652,498 S	1/2012	Rafi		2005/0233691 A1 *	10/2005	Horton	F24F 7/02 454/366
D653,745 S *	2/2012	Gregg	D23/386	2005/0284988 A1	12/2005	Lawver, Jr.	
8,113,823 B2	2/2012	Guzorek		2006/0005809 A1	1/2006	Kado et al.	
				2006/0042239 A1	3/2006	Gerards et al.	
				2006/0065211 A1	3/2006	Hasbargen et al.	

2006/0157092	A1 *	7/2006	Kramer	A47L 15/4285 134/105
2006/0249141	A1	11/2006	Sinur et al.	
2007/0045473	A1 *	3/2007	Clegg	B64D 25/14 244/137.2
2007/0101689	A1	5/2007	Gaskins	
2007/0241629	A1	10/2007	Ionel et al.	
2008/0029243	A1	2/2008	O'Donnell et al.	
2008/0134843	A1	6/2008	Smith	
2008/0210783	A1 *	9/2008	Bissonnette	F23D 14/32 239/429
2008/0272667	A1	11/2008	Ionel et al.	
2008/0302352	A1	12/2008	Pearce et al.	
2008/0308689	A1	12/2008	Syler	
2009/0084328	A1	4/2009	Lyons et al.	
2009/0191493	A1 *	7/2009	Guzorek	F23L 11/005 431/12
2010/0012048	A1	1/2010	Whitford et al.	
2010/0015559	A1	1/2010	Whitford et al.	
2010/0118463	A1	5/2010	Smith	
2010/0126431	A1 *	5/2010	Kanda	F23D 14/04 122/14.21
2010/0184366	A1 *	7/2010	Hassenstab	F24F 13/20 454/367
2010/0300377	A1	12/2010	Buescher et al.	
2011/0168284	A1	7/2011	Whitford et al.	
2011/0294412	A1	12/2011	Vagedes	
2012/0212883	A1 *	8/2012	Hargreaves	H05K 5/04 361/679.01
2012/0255267	A1	10/2012	Ehrensberger et al.	
2013/0078903	A1	3/2013	Mantyla et al.	
2013/0115871	A1 *	5/2013	Bourque	F24F 7/02 454/365
2014/0144395	A1	5/2014	Blessing et al.	
2015/0053151	A1	2/2015	Graff	
2015/0219363	A1	8/2015	Bridegum	
2015/0220091	A1	8/2015	Koopman	

FOREIGN PATENT DOCUMENTS

GB	2012042	7/1979
GB	2039358	8/1980
WO	8100609	3/1981

OTHER PUBLICATIONS

Yamaha R6 OEM ECU CDI Engine Control Unit Module Computer YZF-R6, image post date 2008, site visited Jun. 22, 2016, (online), <http://www.ebay.co.uk/itm/272262109754?clk_rvr_id=1050641016140&rmvSB=true>.*

Residential Product Catalog, image post date May 2011, site visited Jun. 11, 2016, (online), <<http://www.cleanwaterpa.com/sites/default/files/u1/pdf/AO%20Smith%20water%20heater%20catalog.pdf>>.*

Balancing Damper Damper—Model BDD, image post date 1955, site visited Jun. 11, 2016, (online), <<http://www.safeair-dowco.com/product/BDD.pdf>>.*

Control Damper—Model 612, image post date 1955, site visited Jun. 11, 2016, (online), <<http://www.safeair-dowco.com/product/612.pdf>>.*

Dampers—Air Measuring Products—Access Doors, image post date Apr. 18, 2005—Nov. 18, 2014, site visited Jun. 11, 2016, (online), <<http://www.deicontrols.com/dampers/>>.*

Louvre Dampers, image post date Mar. 2010, site visited Jun. 11, 2016, (online), <<http://pumps.kerrpump.com/Asset/Damper.pdf>>.*

Nordyne, “Direct Vent (Sealed Combustion) Forced Air Gas Furnaces,” installation instructions (2004) pp. 1-36.

SPM-F series Air regulation damper, image post date Jan. 14, 2014, site visited Jun. 11, 2016, (online), <<https://www.tineye.com/search/1d120de9ed460d7685f82916e431107f690f18241>>.

Motorized damper, image post date May 22, 2012, site visited Jun. 11, 2016, (online), <<https://www.tineye.com/search/585a79138b8552a0de2f919391f5c3daa879a9eb/>>.

* cited by examiner

Primary Examiner — Kevin Rudzinski
Assistant Examiner — Sean D Lough
 (74) *Attorney, Agent, or Firm* — Michael Best & Friedrich LLP

(57) **CLAIM**

We claim the ornamental design for an air inlet damper, as shown and described.

DESCRIPTION

FIG. 1 is a bottom perspective view of an air inlet damper according to a first embodiment showing the new design in a position of use;
 FIG. 2 is a right side view thereof;
 FIG. 3 is a left side view thereof,
 FIG. 4 is a rear view thereof;
 FIG. 5 is a front view thereof;
 FIG. 6 is a top view thereof;
 FIG. 7 is a bottom view thereof;
 FIG. 8 is a bottom perspective view of the air inlet damper of FIG. 1 showing the new design in another position of use;
 FIG. 9 is a right side view thereof;
 FIG. 10 is a left side view thereof,
 FIG. 11 is a rear view thereof;
 FIG. 12 is a front view thereof;
 FIG. 13 is a top view thereof;
 FIG. 14 is a bottom view thereof;
 FIG. 15 is a bottom perspective view of an air inlet damper according to a second embodiment showing the new design in a position of use;
 FIG. 16 is a right side view thereof;
 FIG. 17 is a left side view thereof,
 FIG. 18 is a rear view thereof;
 FIG. 19 is a front view thereof;
 FIG. 20 is a top view thereof;
 FIG. 21 is a bottom view thereof;
 FIG. 22 is a bottom perspective view of the air inlet damper of FIG. 15 showing the new design in another position of use;
 FIG. 23 is a right side view thereof;
 FIG. 24 is a left side view thereof,
 FIG. 25 is a rear view thereof;
 FIG. 26 is a front view thereof;
 FIG. 27 is a top view thereof; and,
 FIG. 28 is a bottom view thereof.

The broken lines present in all FIG. views illustrate portions of the air inlet damper that is environment and form no part of the claimed design.

1 Claim, 20 Drawing Sheets

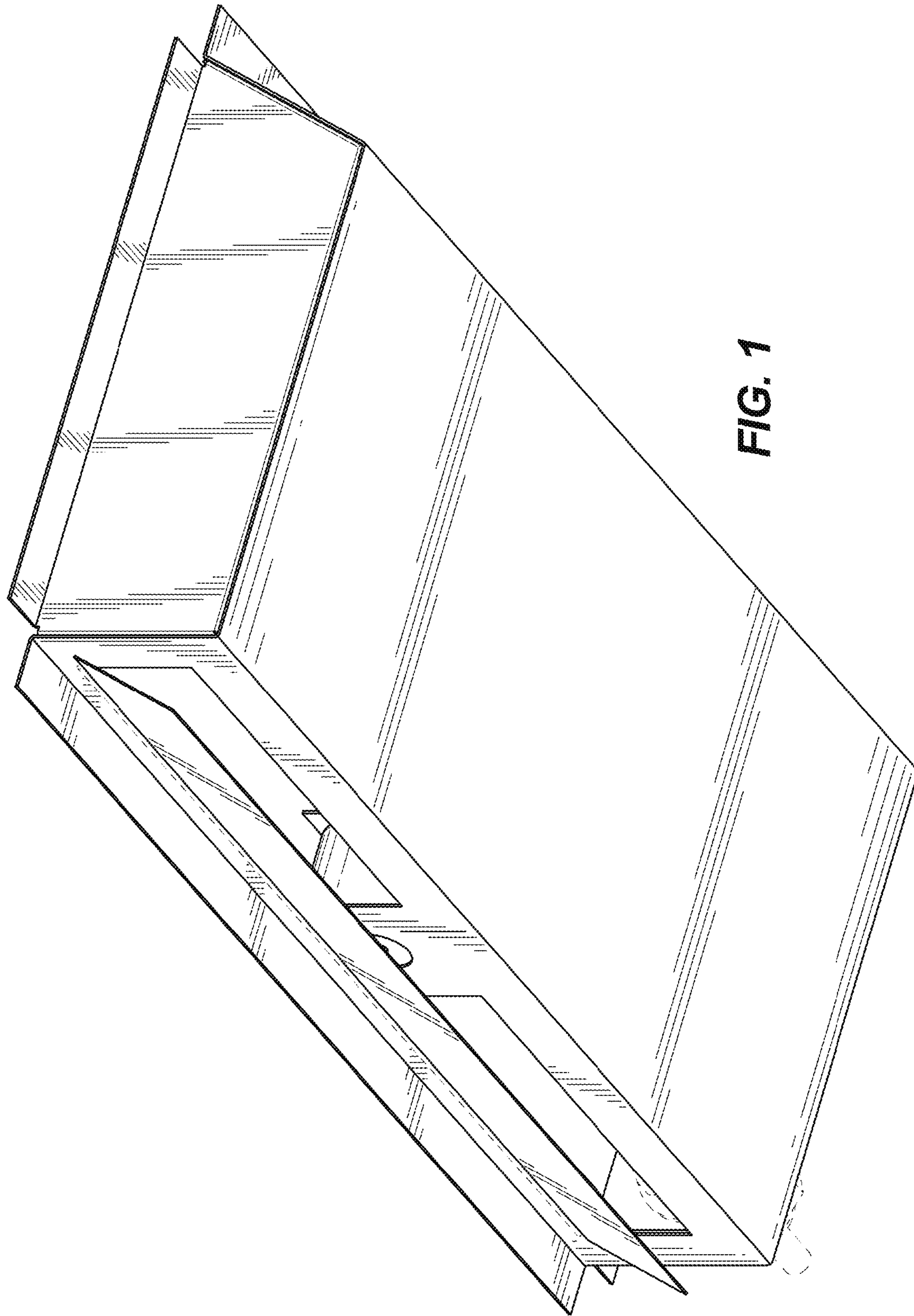


FIG. 1

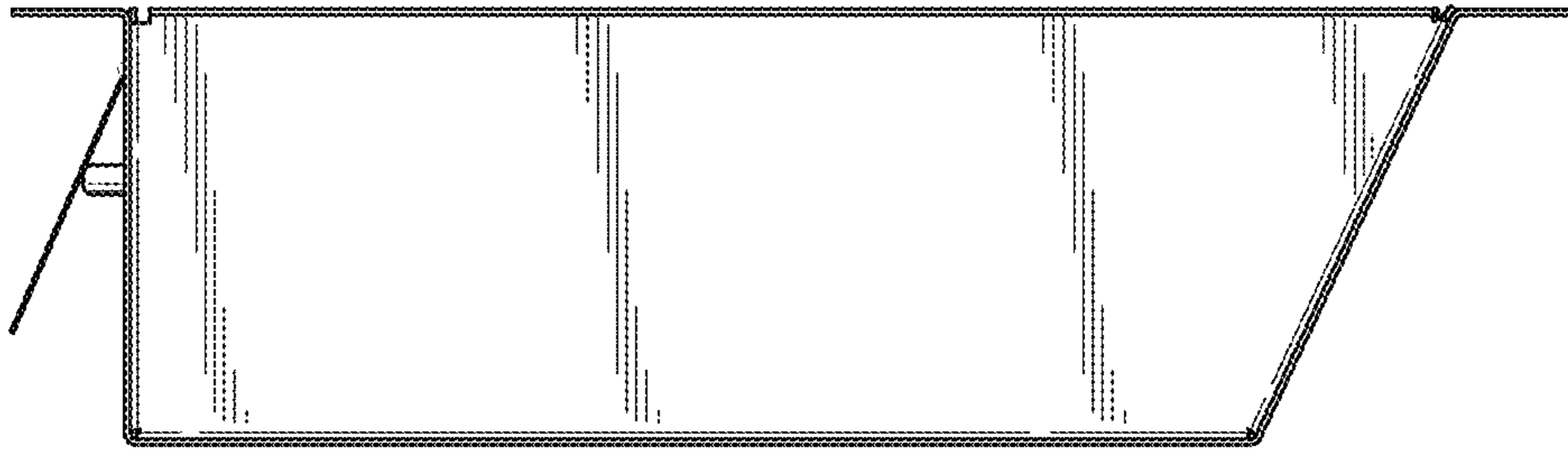


FIG. 2

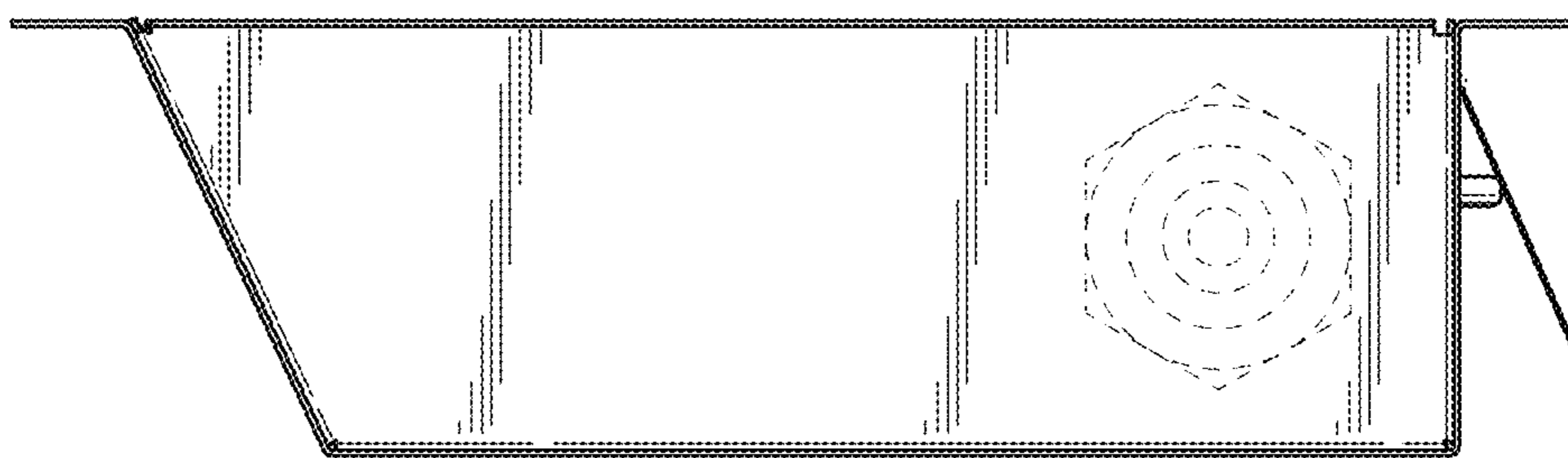


FIG. 3

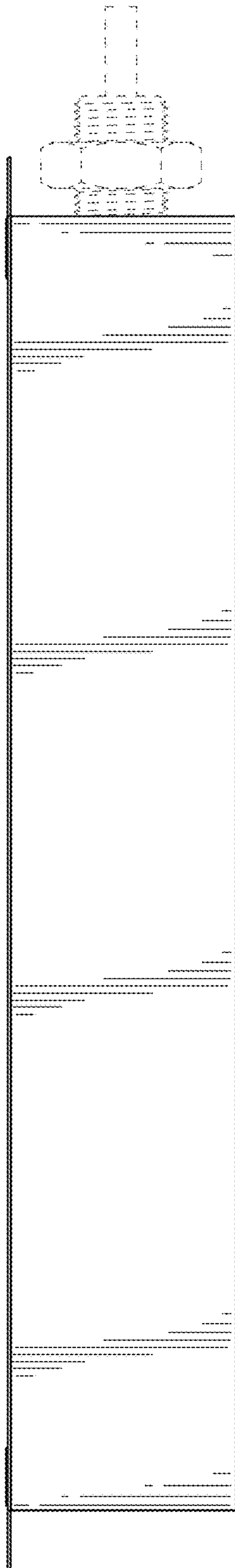


FIG. 4

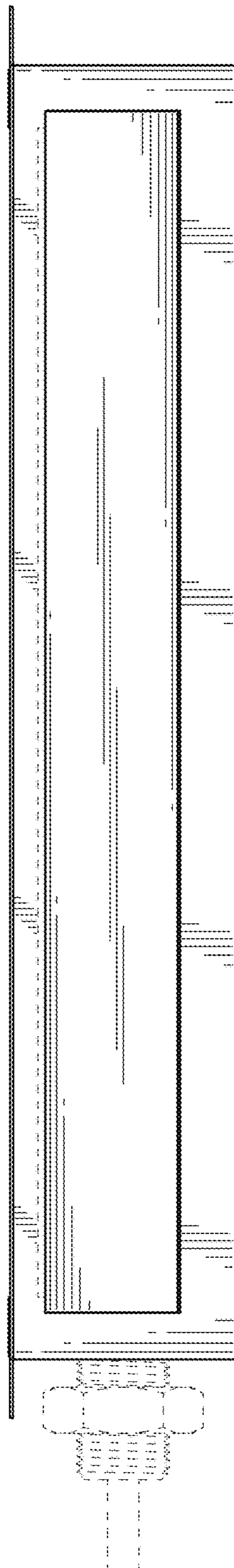


FIG. 5

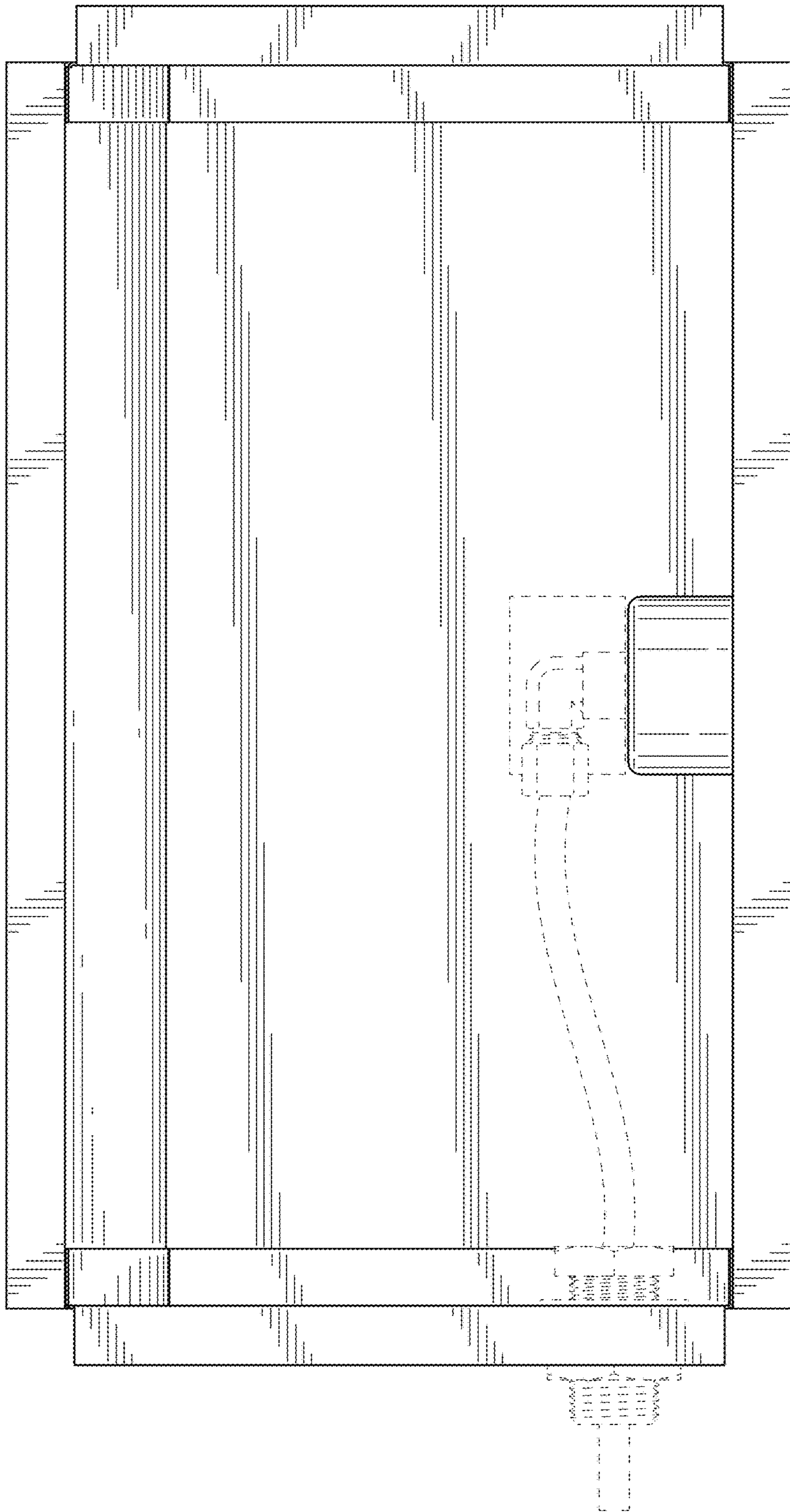


FIG. 6

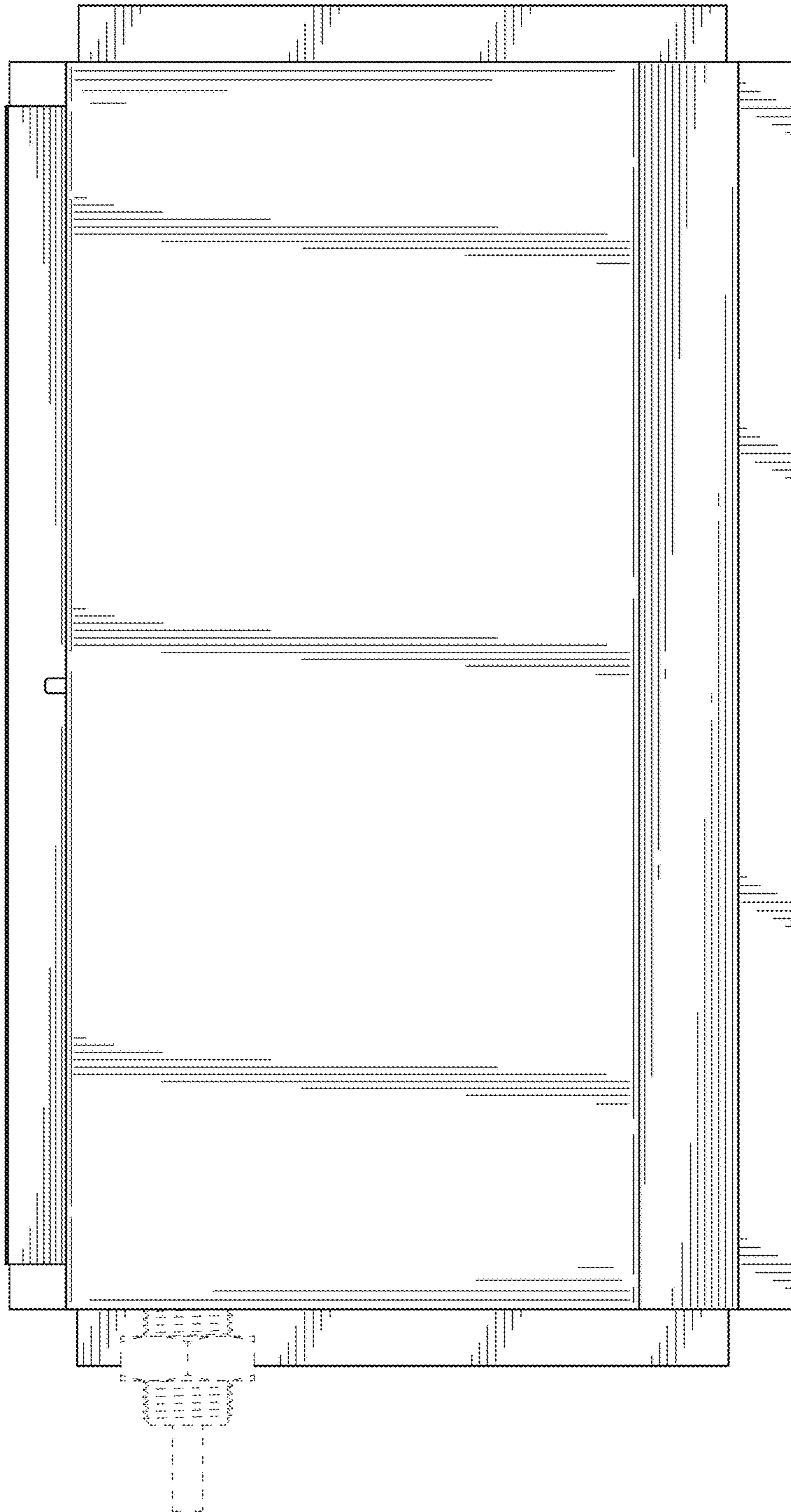


FIG. 7

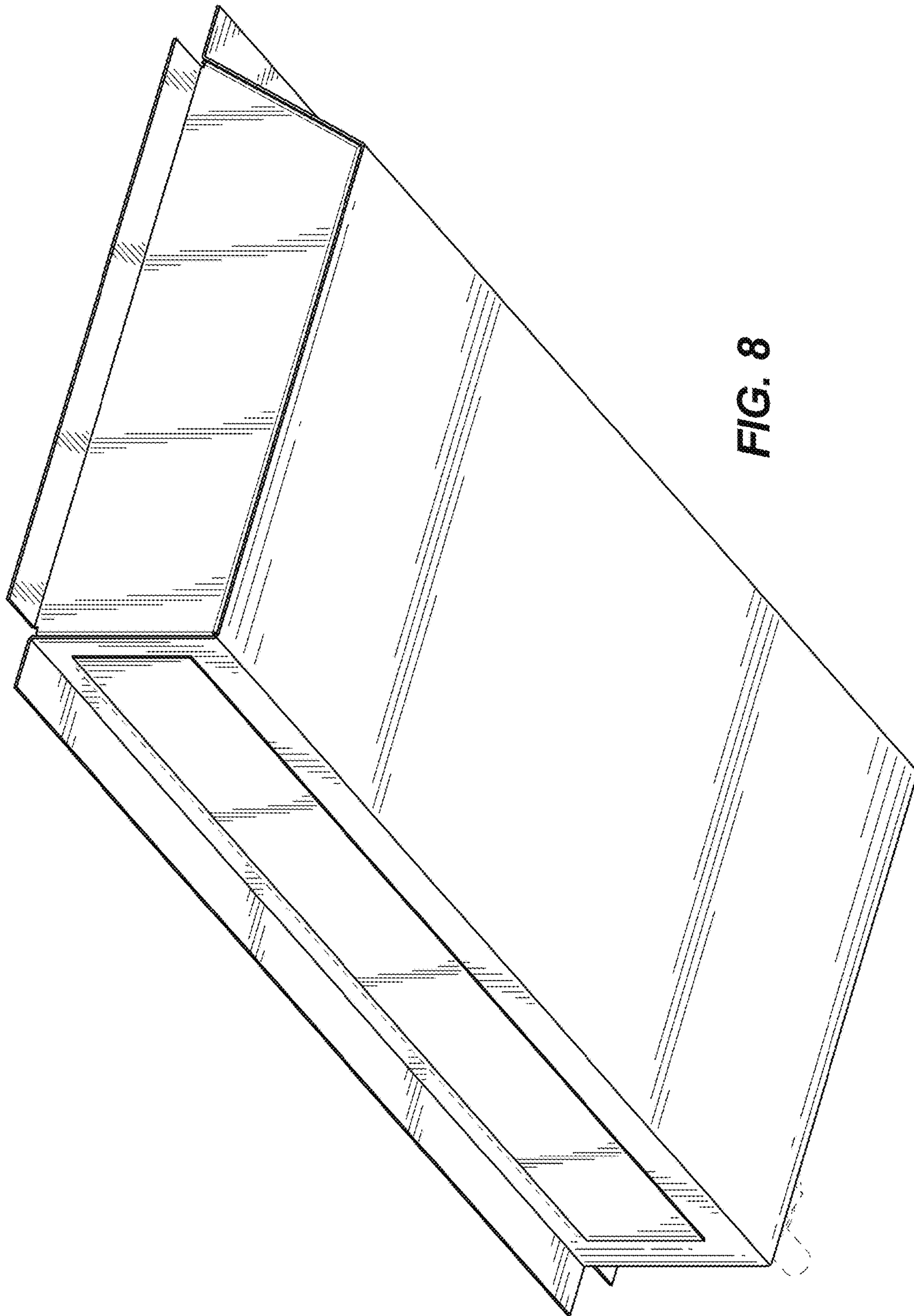


FIG. 8

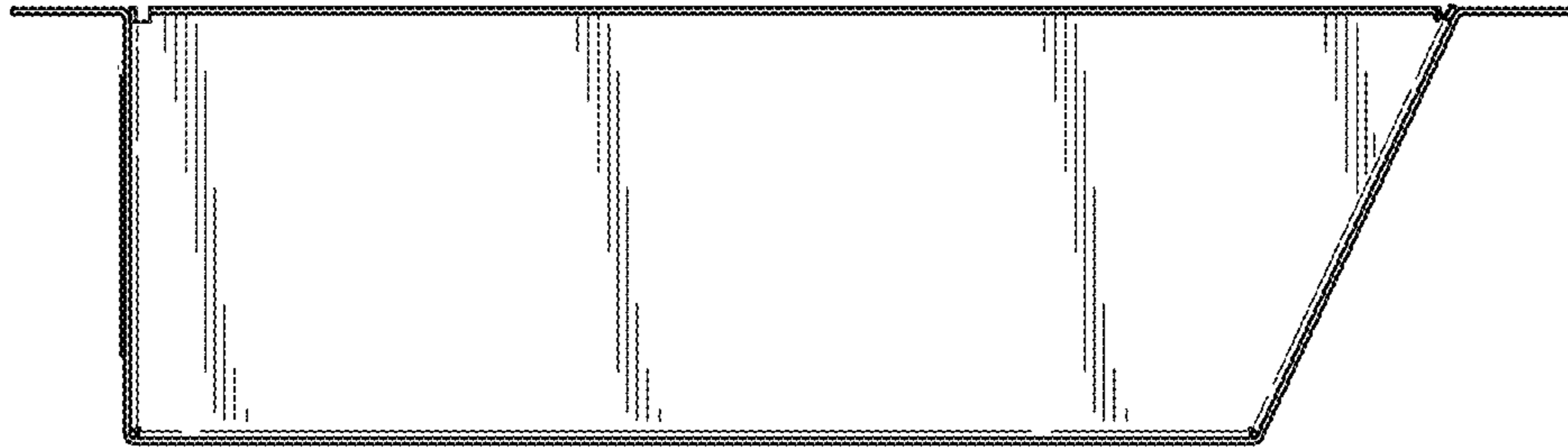


FIG. 9

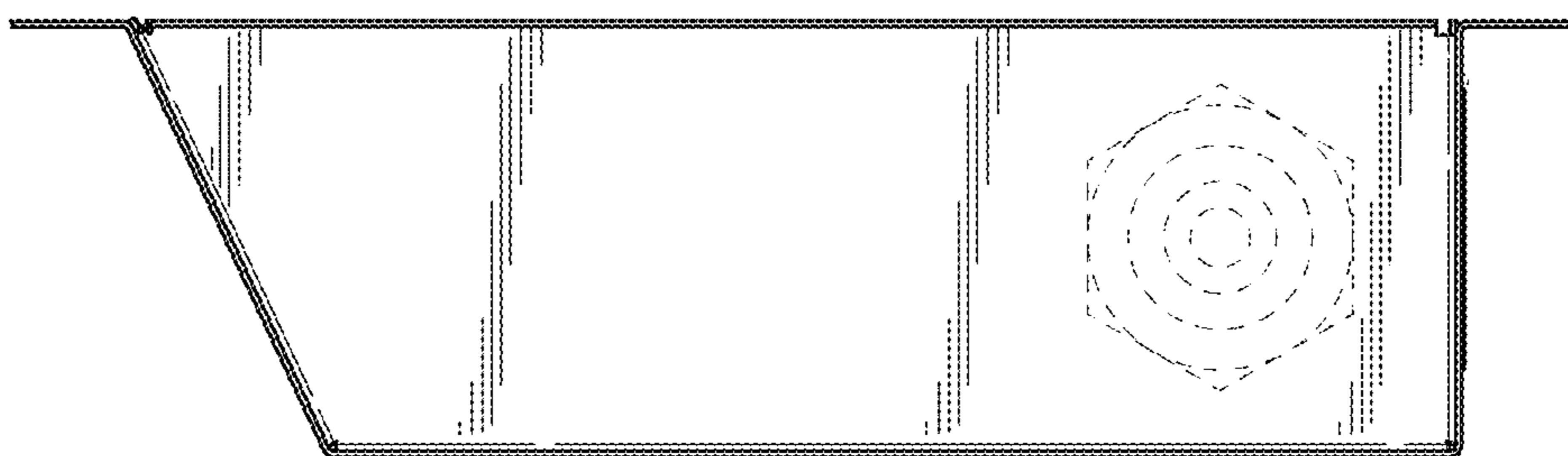


FIG. 10

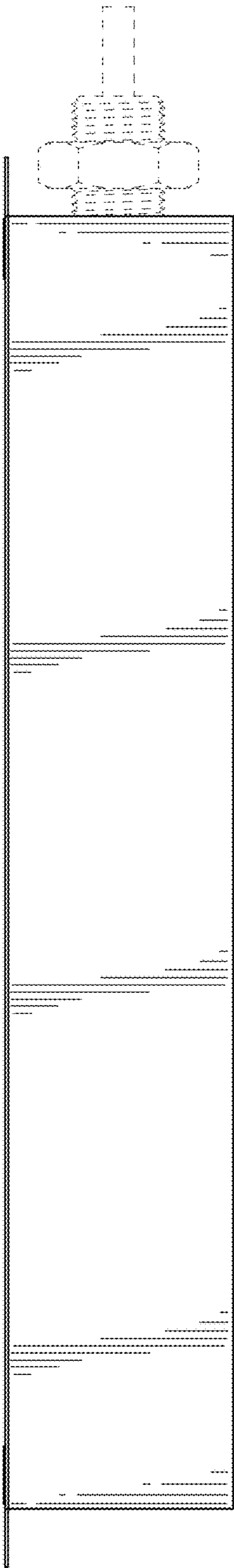


FIG. 11

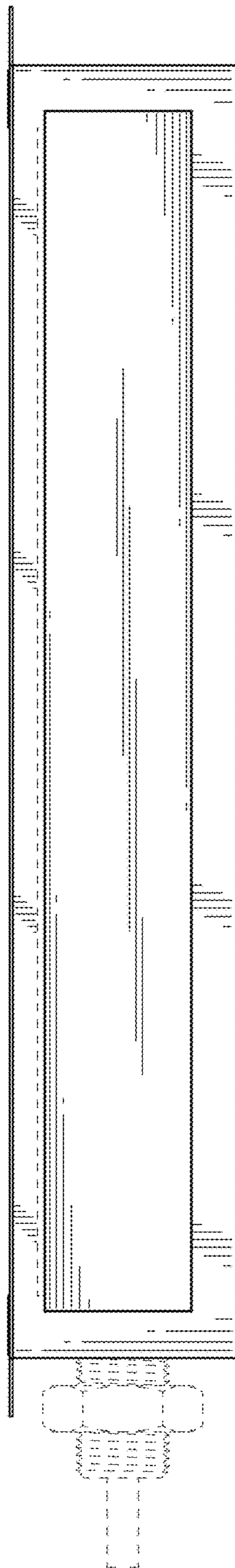


FIG. 12

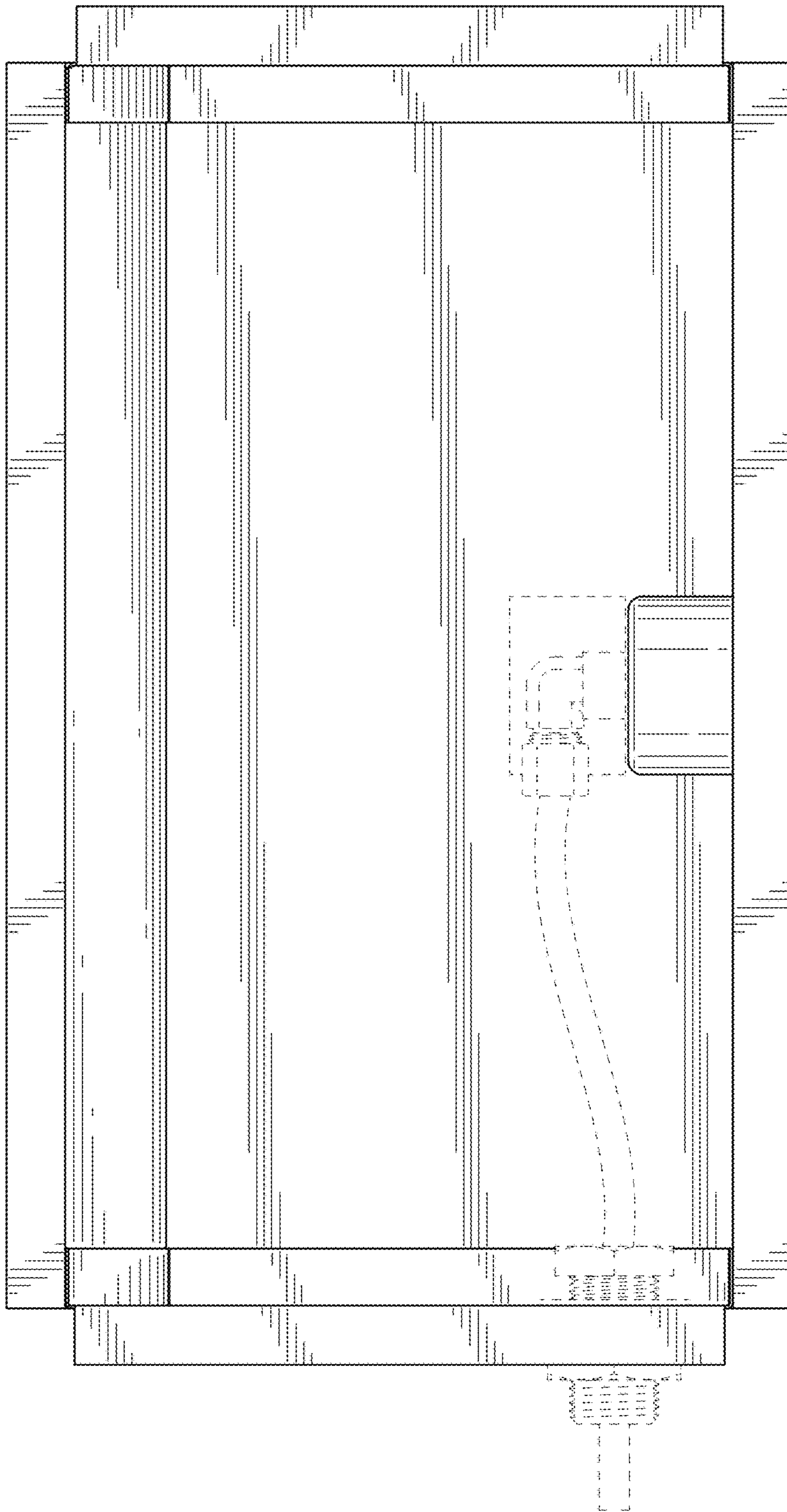


FIG. 13

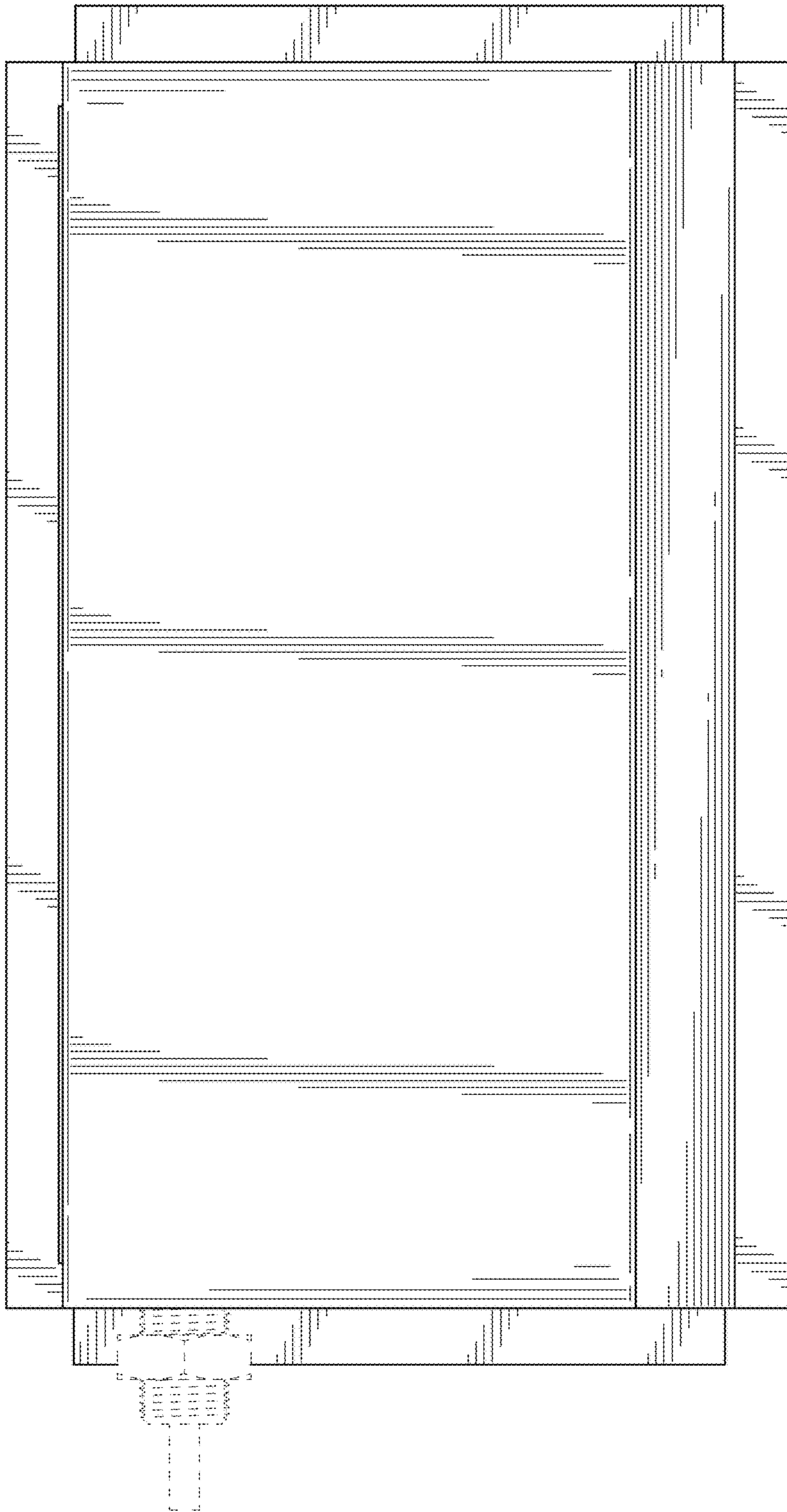


FIG. 14

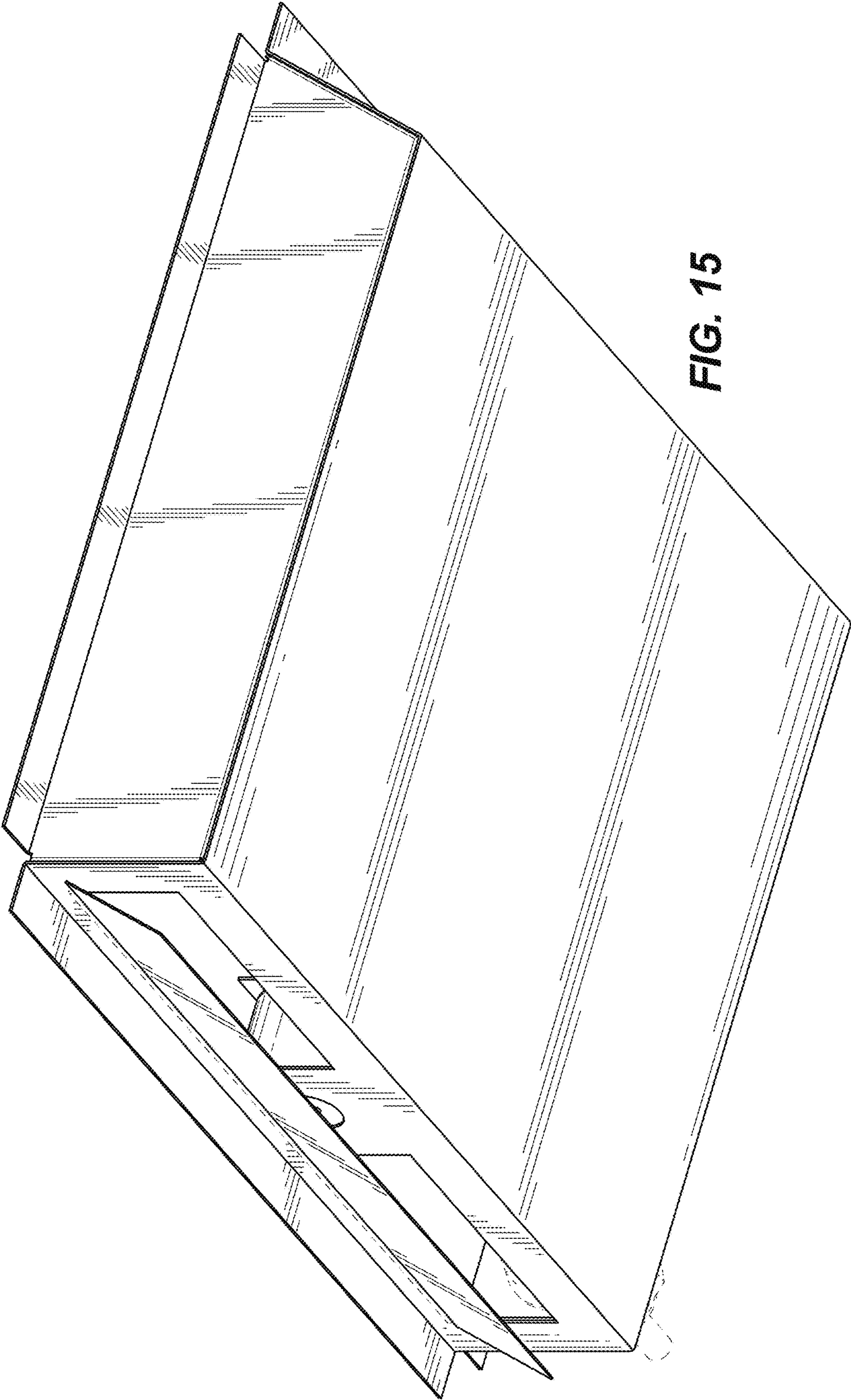


FIG. 15

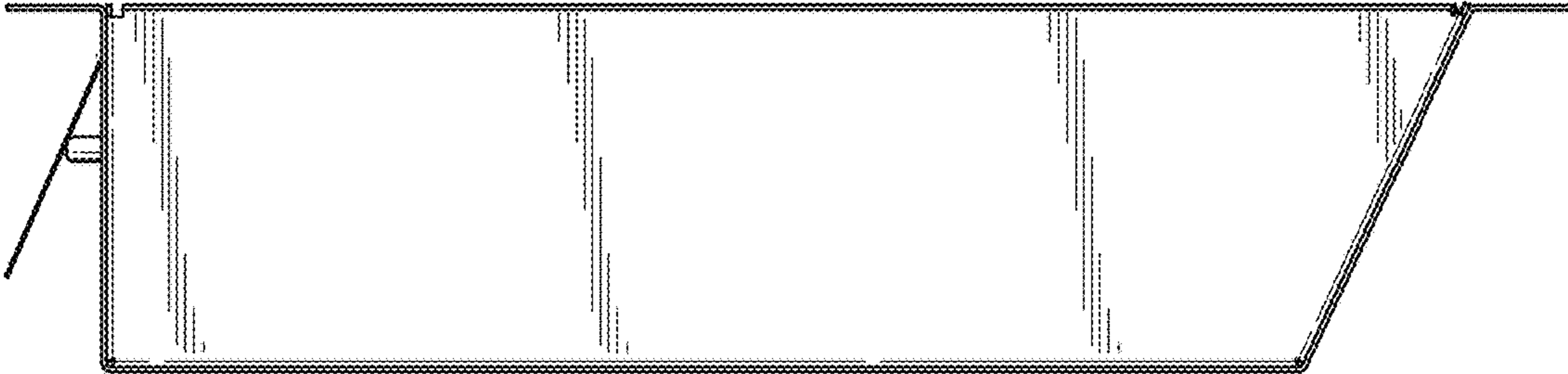


FIG. 16

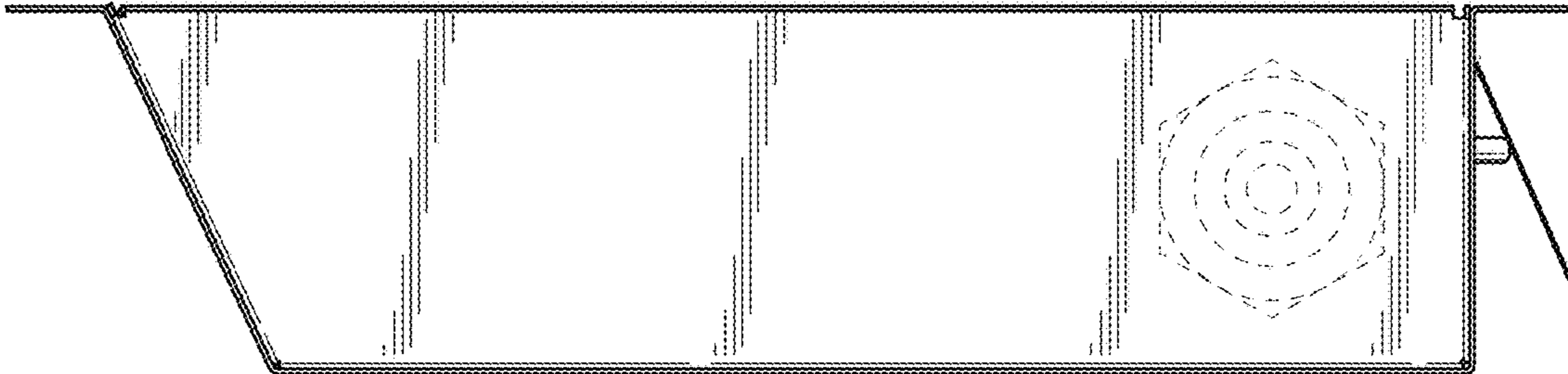


FIG. 17

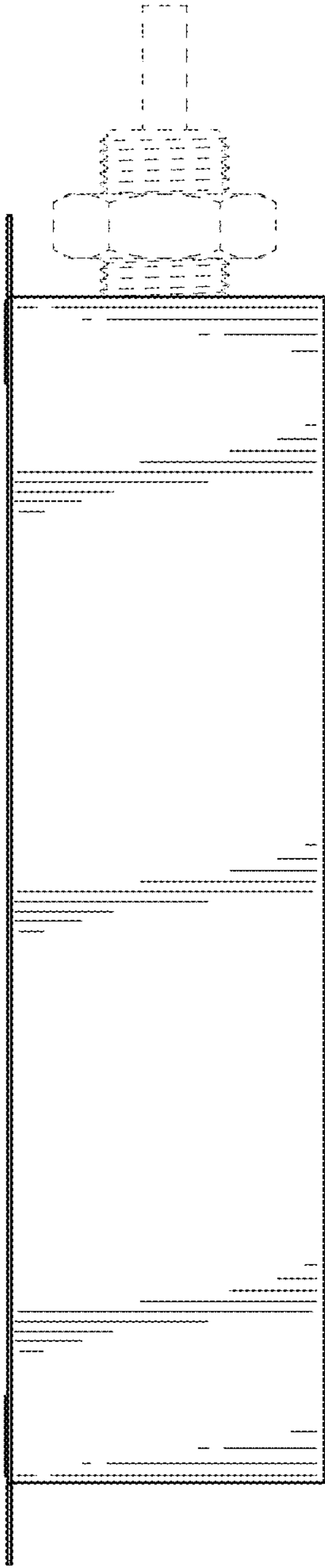


FIG. 18

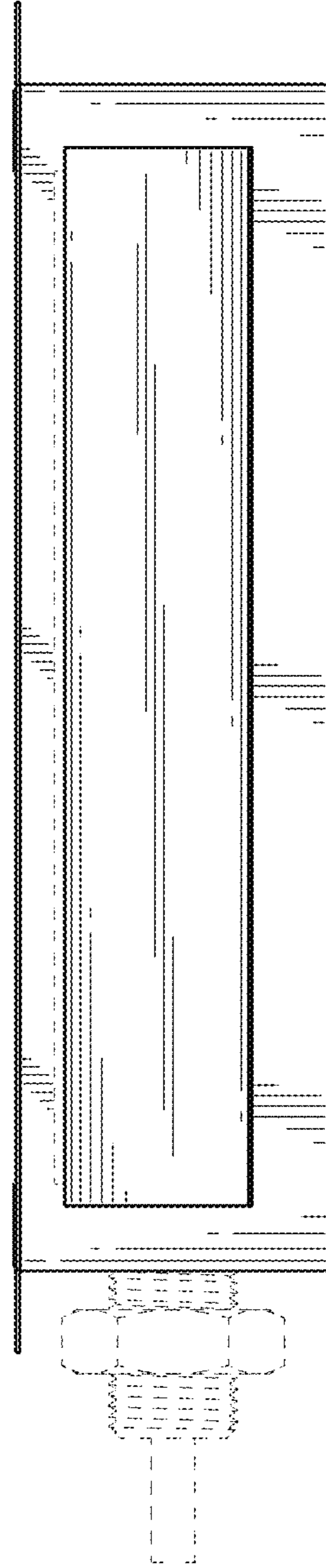


FIG. 19

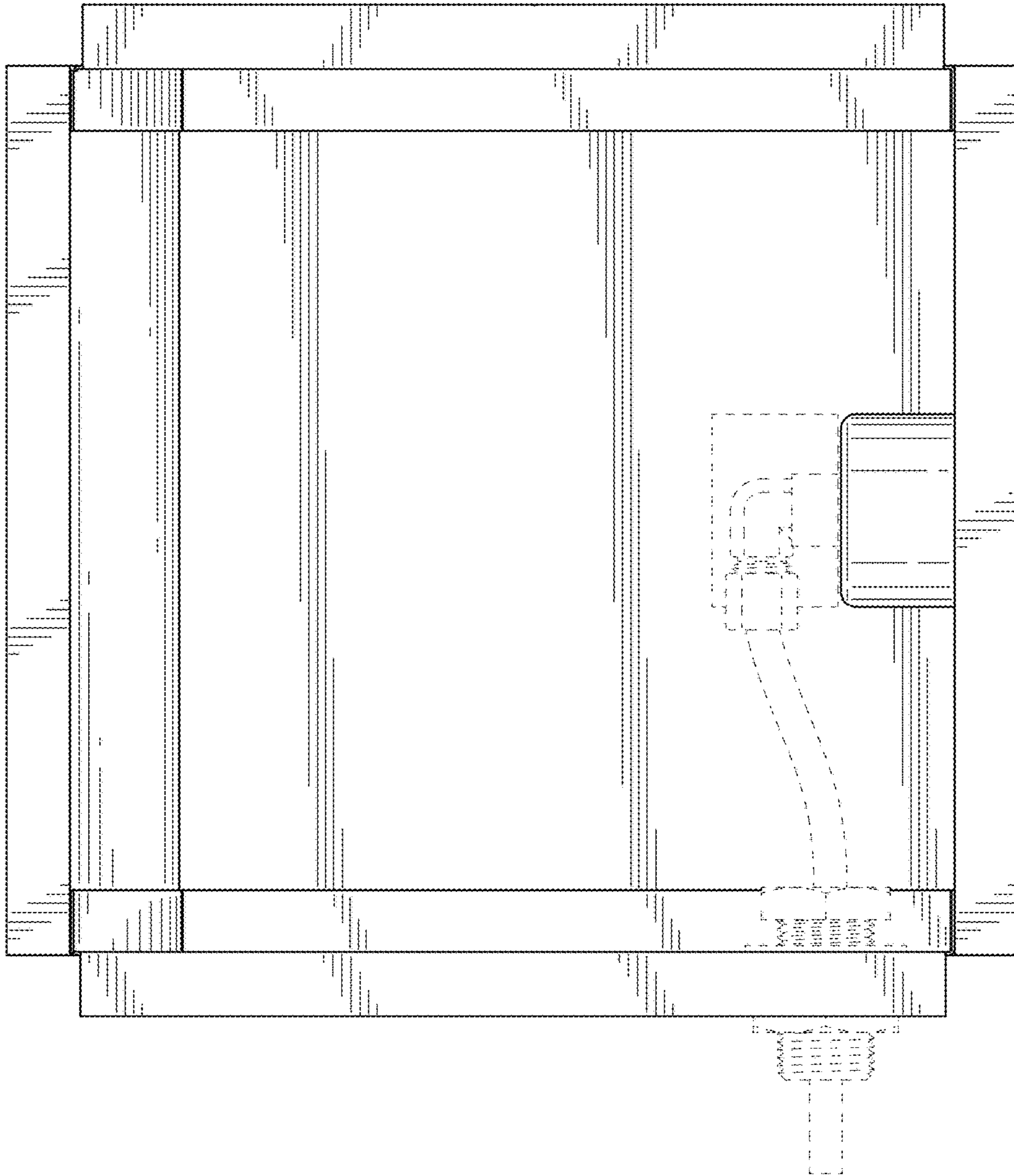


FIG. 20

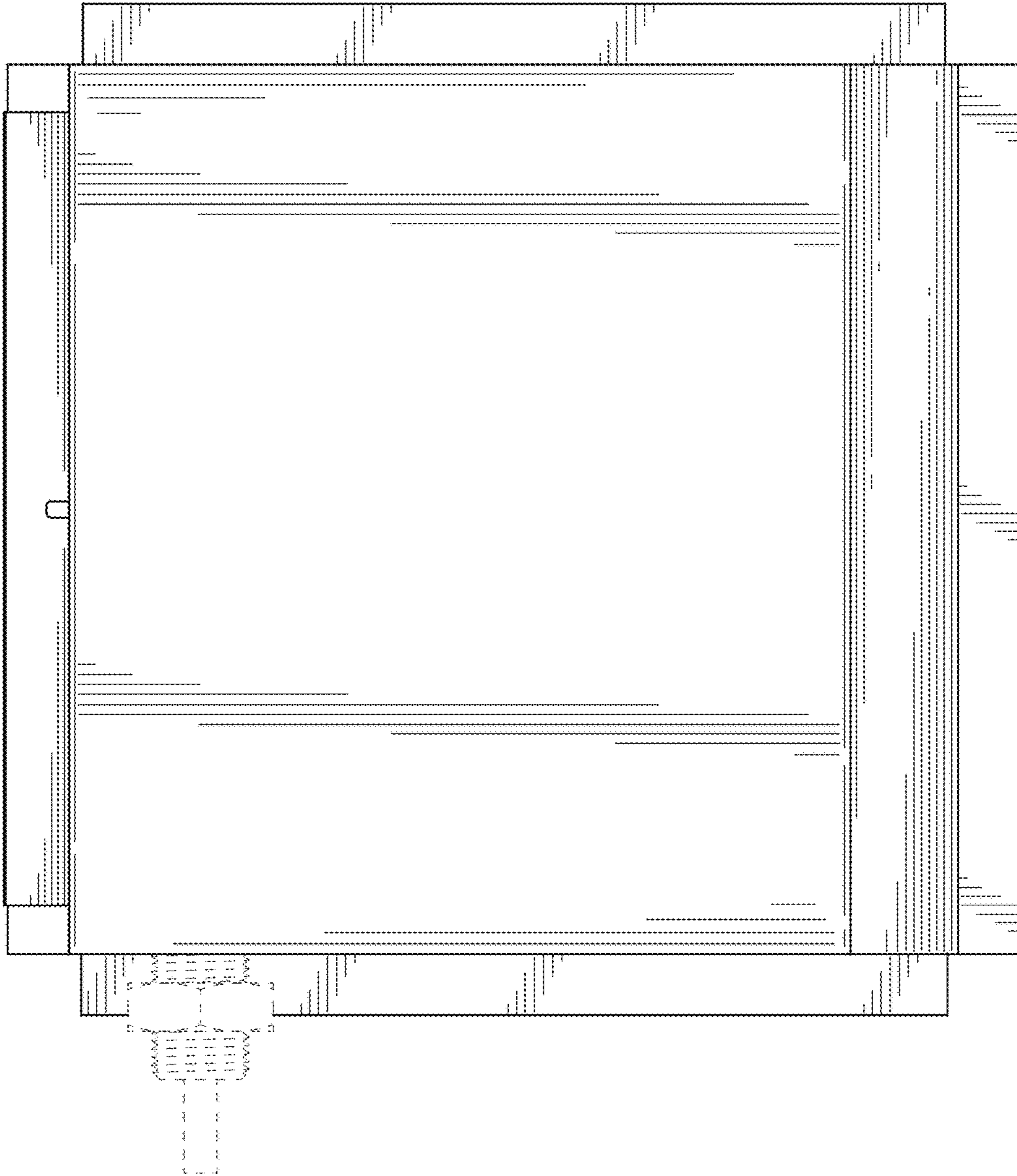


FIG. 21

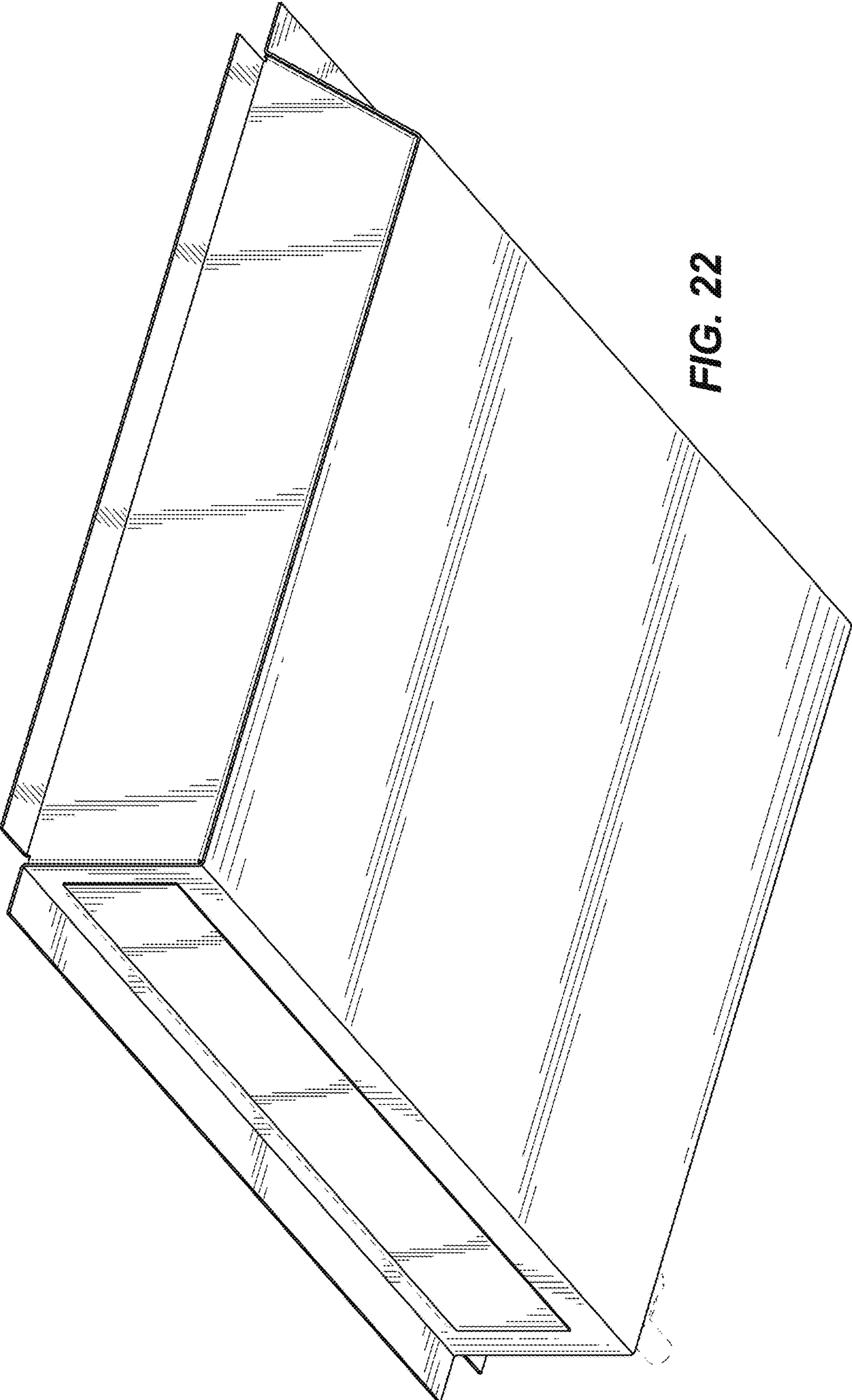


FIG. 22

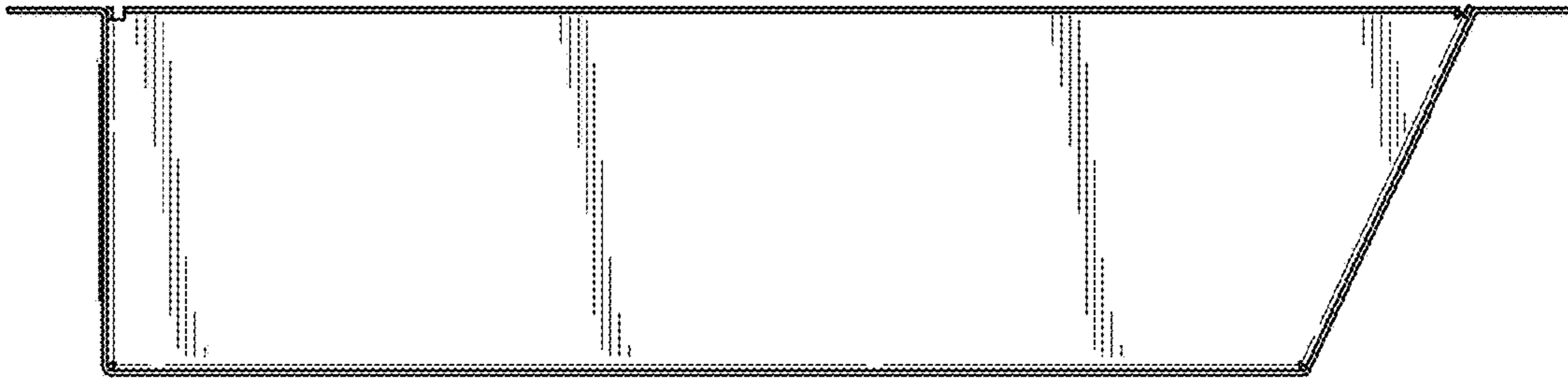


FIG. 23

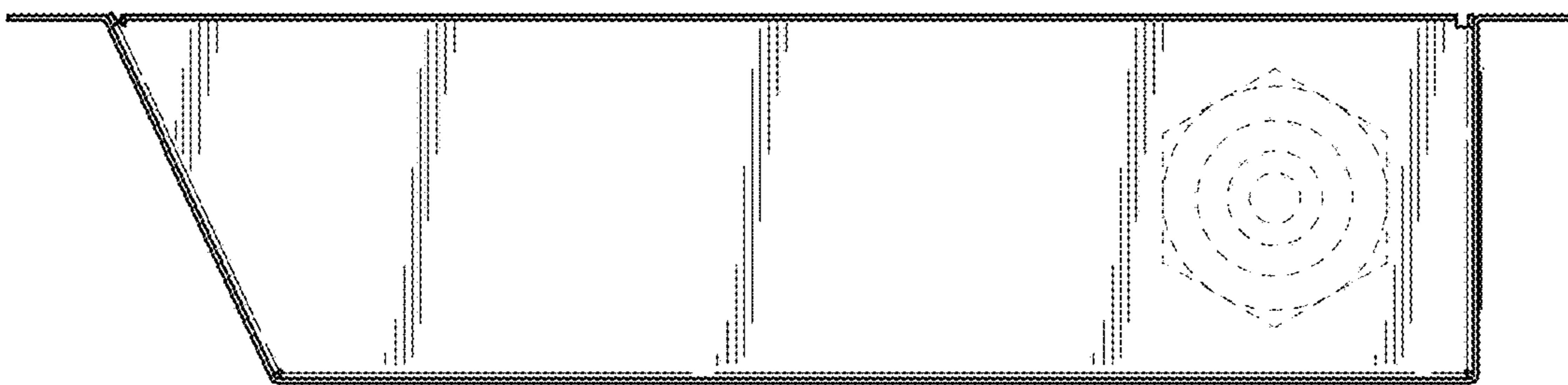


FIG. 24

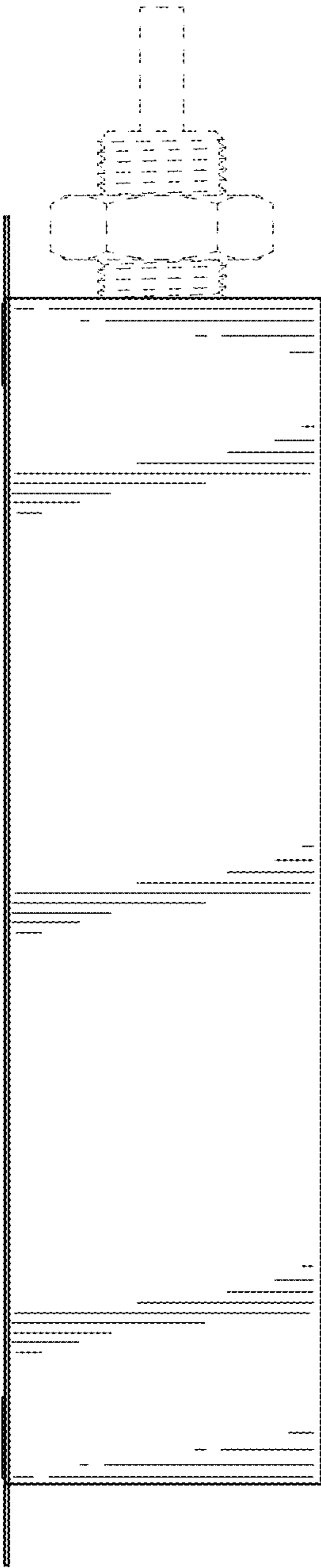


FIG. 25

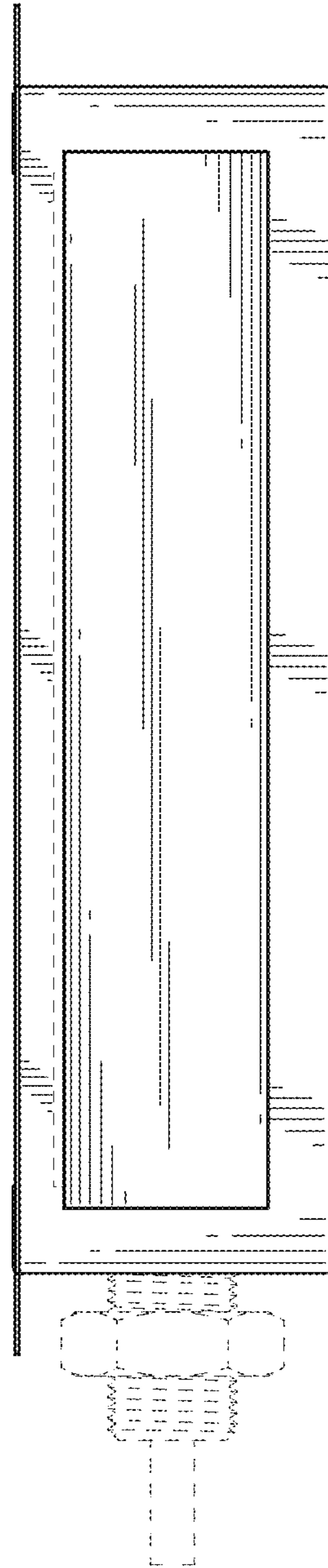


FIG. 26

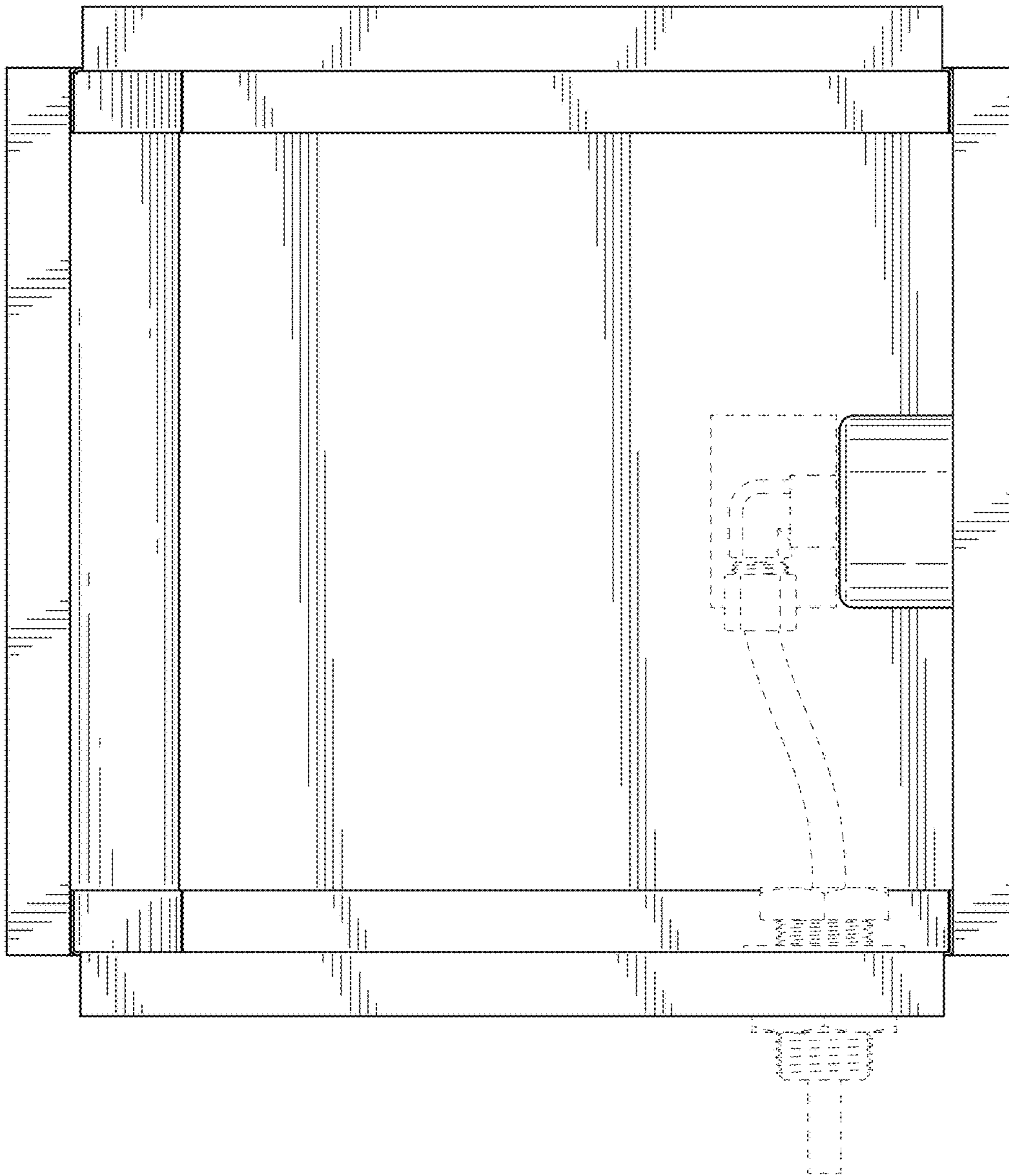


FIG. 27

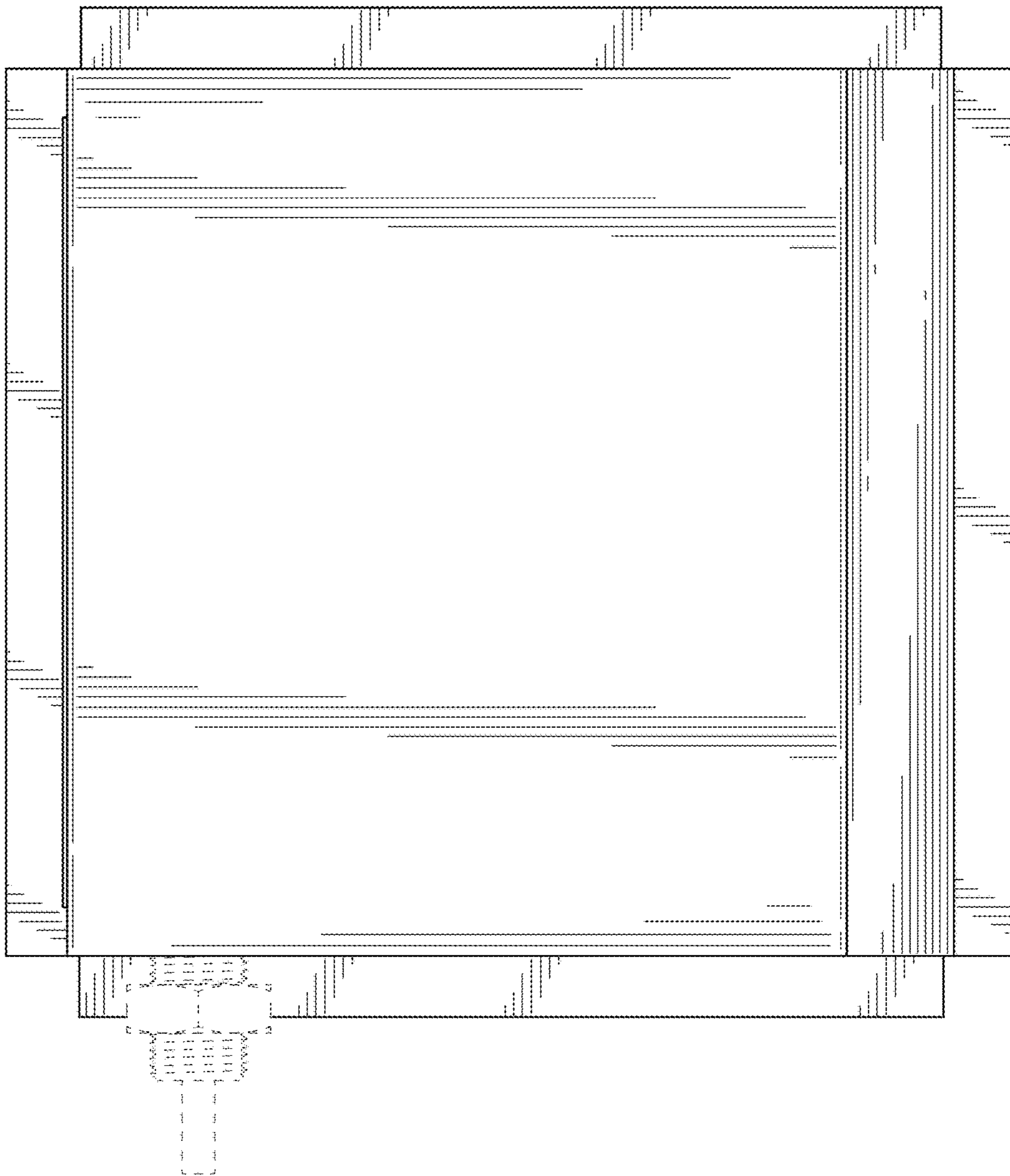


FIG. 28