



US00D779649S

(12) **United States Design Patent**
Alkhalifah

(10) **Patent No.:** **US D779,649 S**

(45) **Date of Patent:** **** Feb. 21, 2017**

(54) **DETACHABLE AIR FLOW DEFLECTOR**

7,635,298 B2 12/2009 Henneberry
8,091,623 B2 1/2012 Hackl et al.
8,353,280 B2* 1/2013 Jackovitch A47J 37/07
126/1 R

(71) Applicant: **Ahmed A. Alkhalifah**, Riyadh (SA)

(72) Inventor: **Ahmed A. Alkhalifah**, Riyadh (SA)

(**) Term: **14 Years**

(21) Appl. No.: **29/479,827**

(22) Filed: **Jan. 21, 2014**

(51) **LOC (10) Cl.** **23-04**

(52) **U.S. Cl.**
USPC **D23/387**

(58) **Field of Classification Search**
USPC D23/385–393, 381, 382, 370, 371, 354,
D23/358, 261; 454/309, 275–277, 284,
454/287–291
CPC F24F 7/00; F24F 7/013
See application file for complete search history.

(56) **References Cited**

U.S. PATENT DOCUMENTS

2,796,016	A *	6/1957	De Roo	F24F 13/072 454/287
4,501,195	A	2/1985	Held		
4,602,556	A	7/1986	Gladden		
D317,358	S *	6/1991	Spendrup	D23/393
D368,307	S *	3/1996	Miller	D23/354
D370,058	S *	5/1996	Bostrom	D23/315
D372,969	S *	8/1996	Hicks	D23/393
D377,682	S *	1/1997	Schlosser	D23/314
D436,163	S *	1/2001	Peterson	D23/393
6,745,518	B2	6/2004	Weakes et al.		
D505,195	S *	5/2005	Snyder	D23/393
6,929,542	B1	8/2005	Stravitz		
D512,774	S *	12/2005	O'Hagin	D23/393
D578,633	S *	10/2008	Schluter	D23/370
D598,996	S *	8/2009	Duarte	D23/354

(Continued)

Primary Examiner — David Muller

(74) *Attorney, Agent, or Firm* — Frank D Lachenmaier;
Lachenmaier Law Firm

(57) **CLAIM**

The ornamental design for a detachable air flow deflector, as shown and described.

DESCRIPTION

FIG. 1 is a perspective front lower view of ductless split Air Conditioning wall unit with two strips of hook fasteners adhered to Air Conditioning Wall Unit as shown.

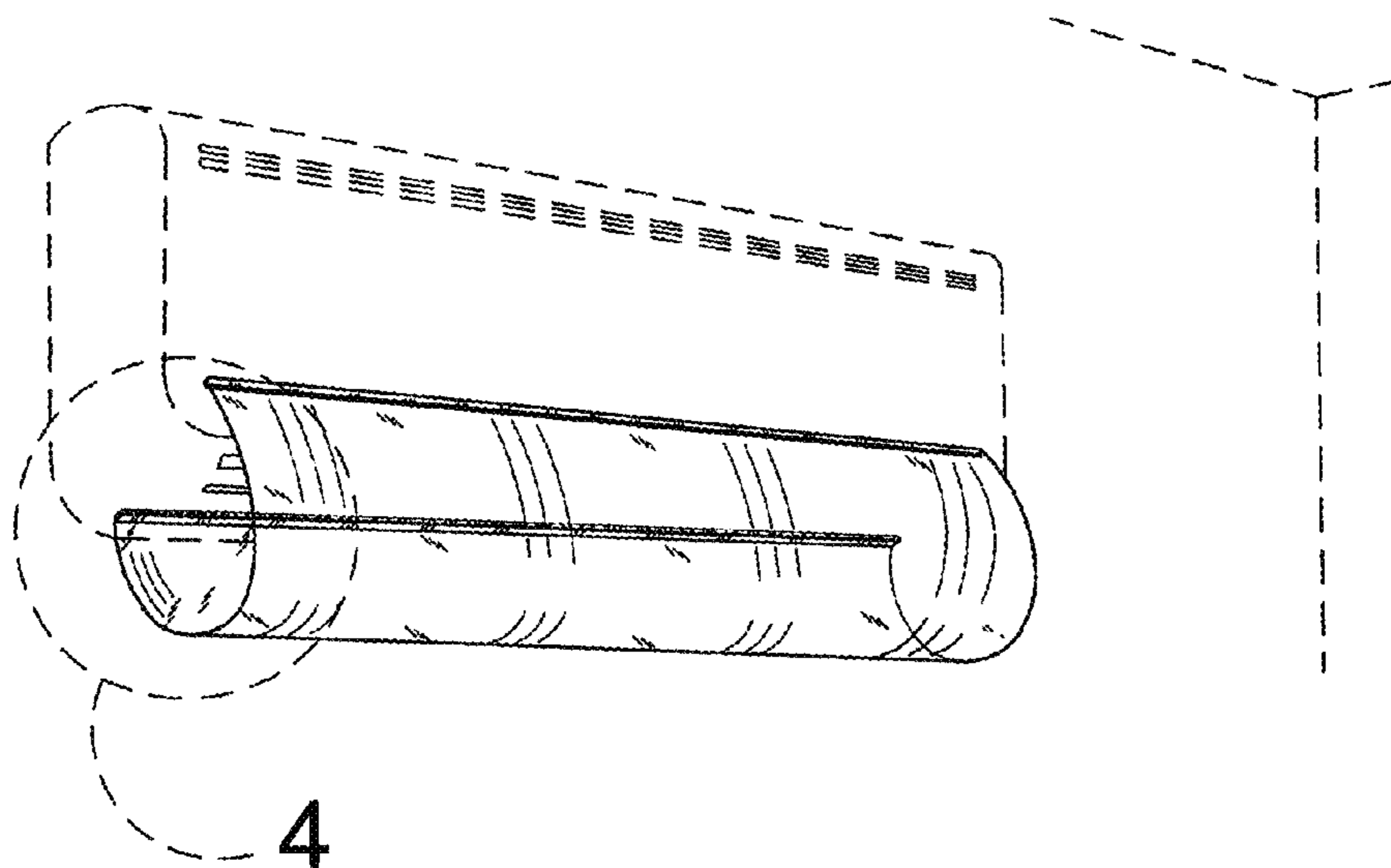
FIG. 2 is a perspective front lower view of ductless split Air Conditioning wall unit with detachable air flow deflector attached by connecting the two strips of hook fasteners to the two strips of eye fasteners.

FIG. 3 is an enlarged view in the broken line circle showing the two strips adhered to ductless split Air Conditioning wall unit.

FIG. 4 is an enlarged view in the broken line circle showing the attachment of detachable air flow deflector by connecting the two strips of eye fasteners to the two strips of hook fasteners; and,

FIG. 5 is a top view of detachable air flow deflector as a rectangular sheet of thin walled transparent plastic with strips of eye fasteners adhered on the long sides of the rectangle, prior to attachment to Air Conditioning wall unit. A ductless split Air Conditioning wall unit is shown in broken lines in FIGS. 1, 2, 3 and 4 as is it is not part of this invention and is shown for environmental purposes only, as is the corner of the room that the wall unit is mounted in.

1 Claim, 4 Drawing Sheets



(56)

References Cited

U.S. PATENT DOCUMENTS

8,919,704 B2 * 12/2014 Lee F16L 3/26
248/58

* cited by examiner

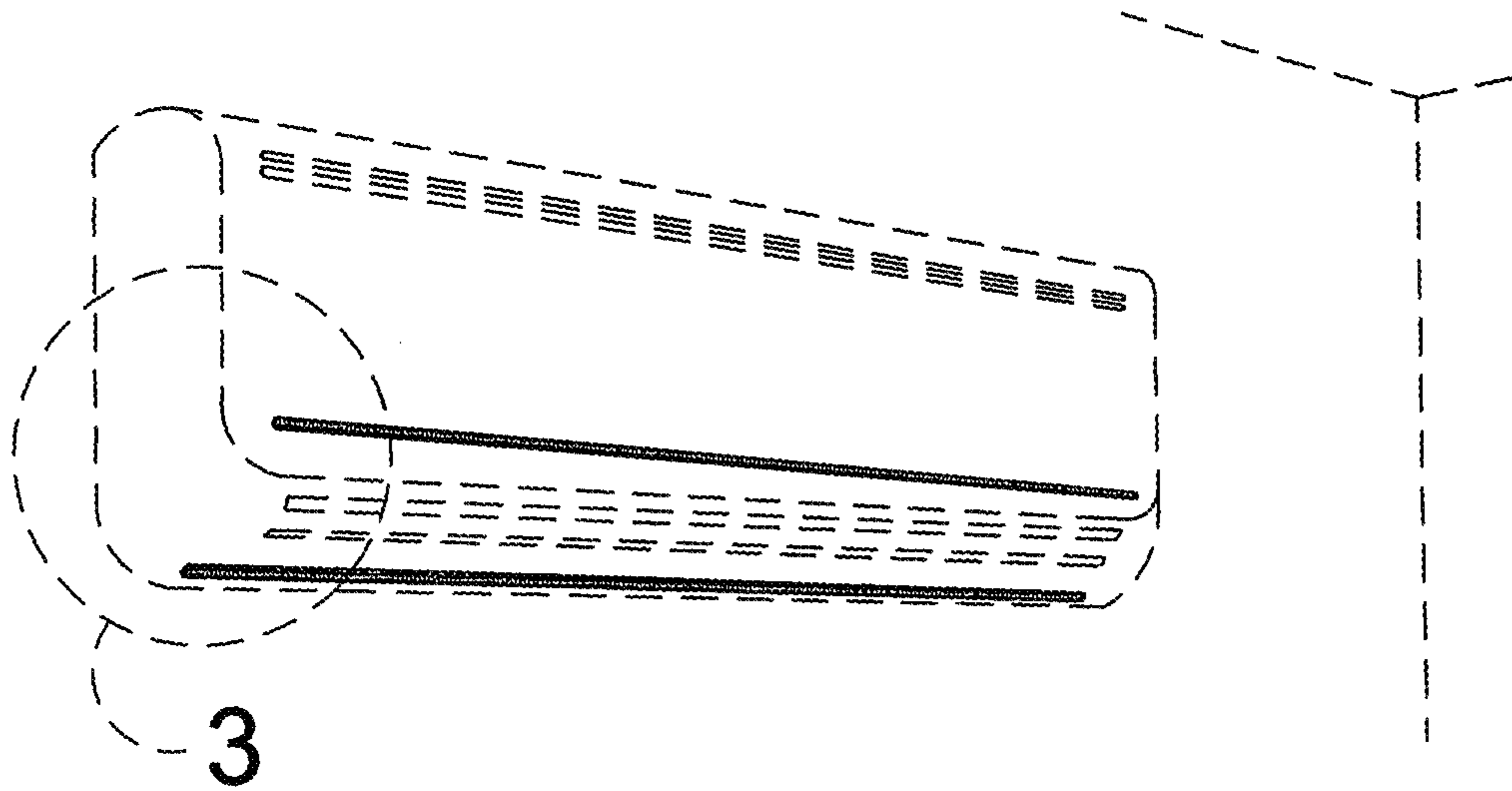


FIG. 1

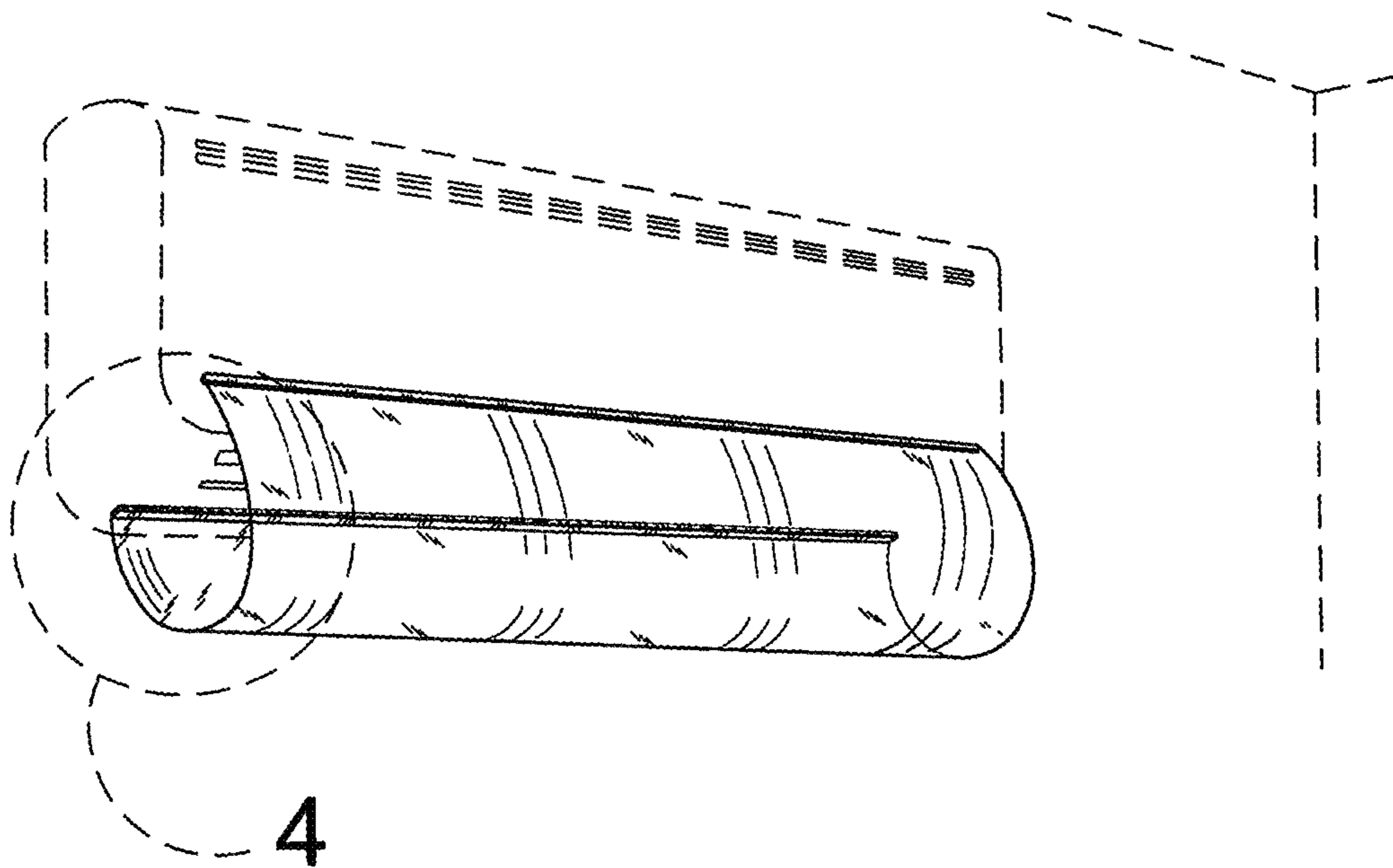


FIG. 2

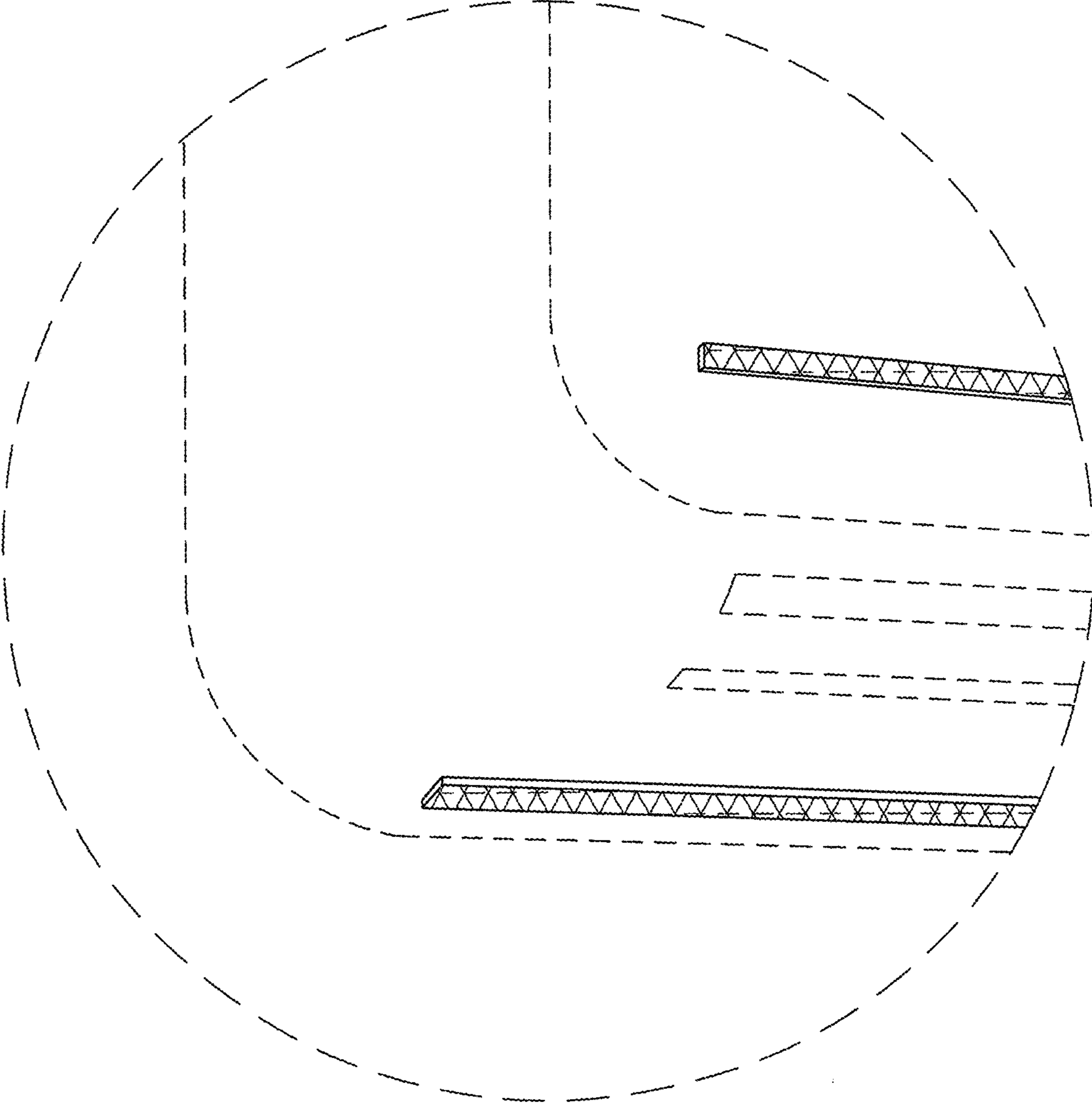


FIG. 3

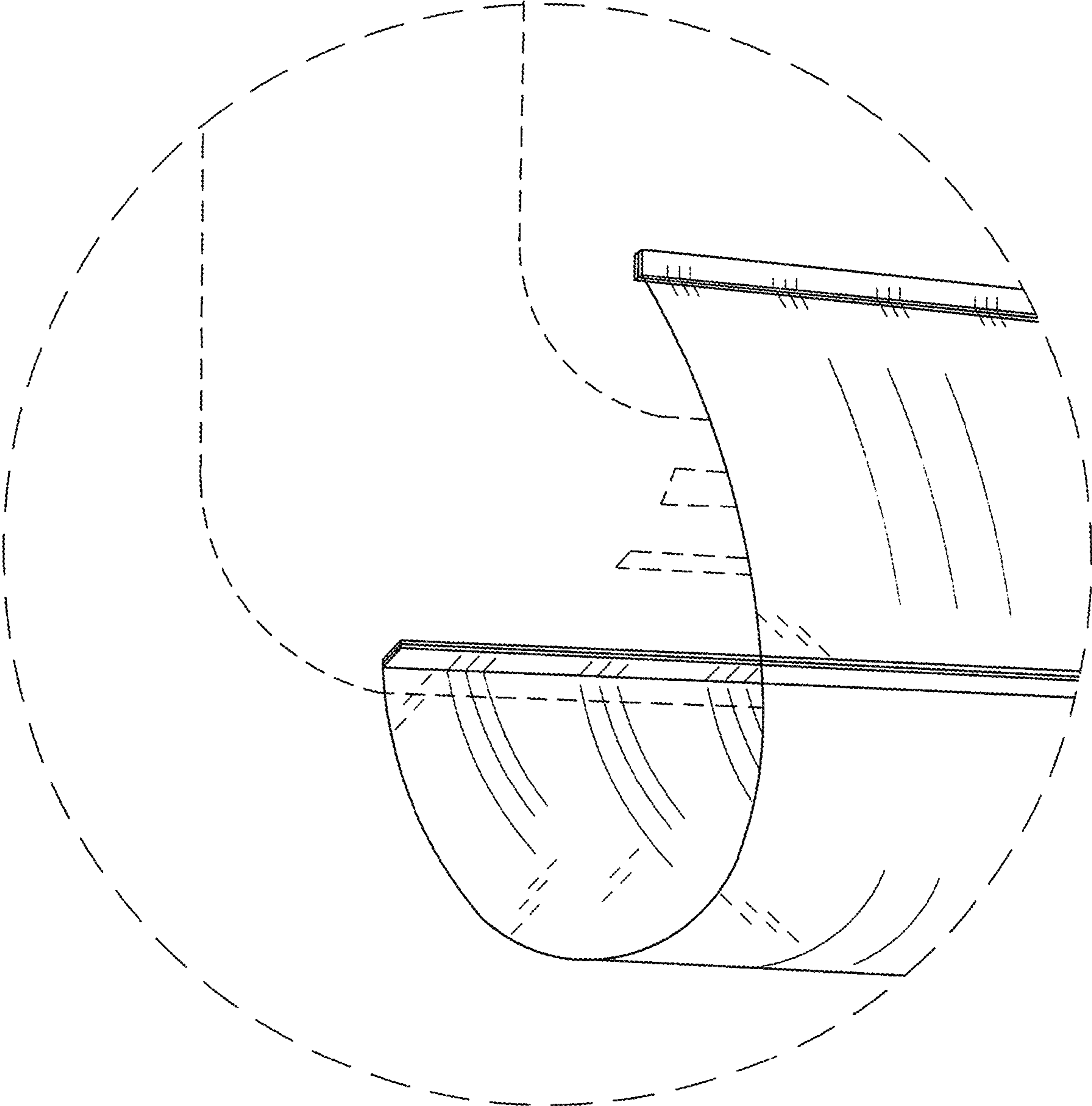


Fig. 4

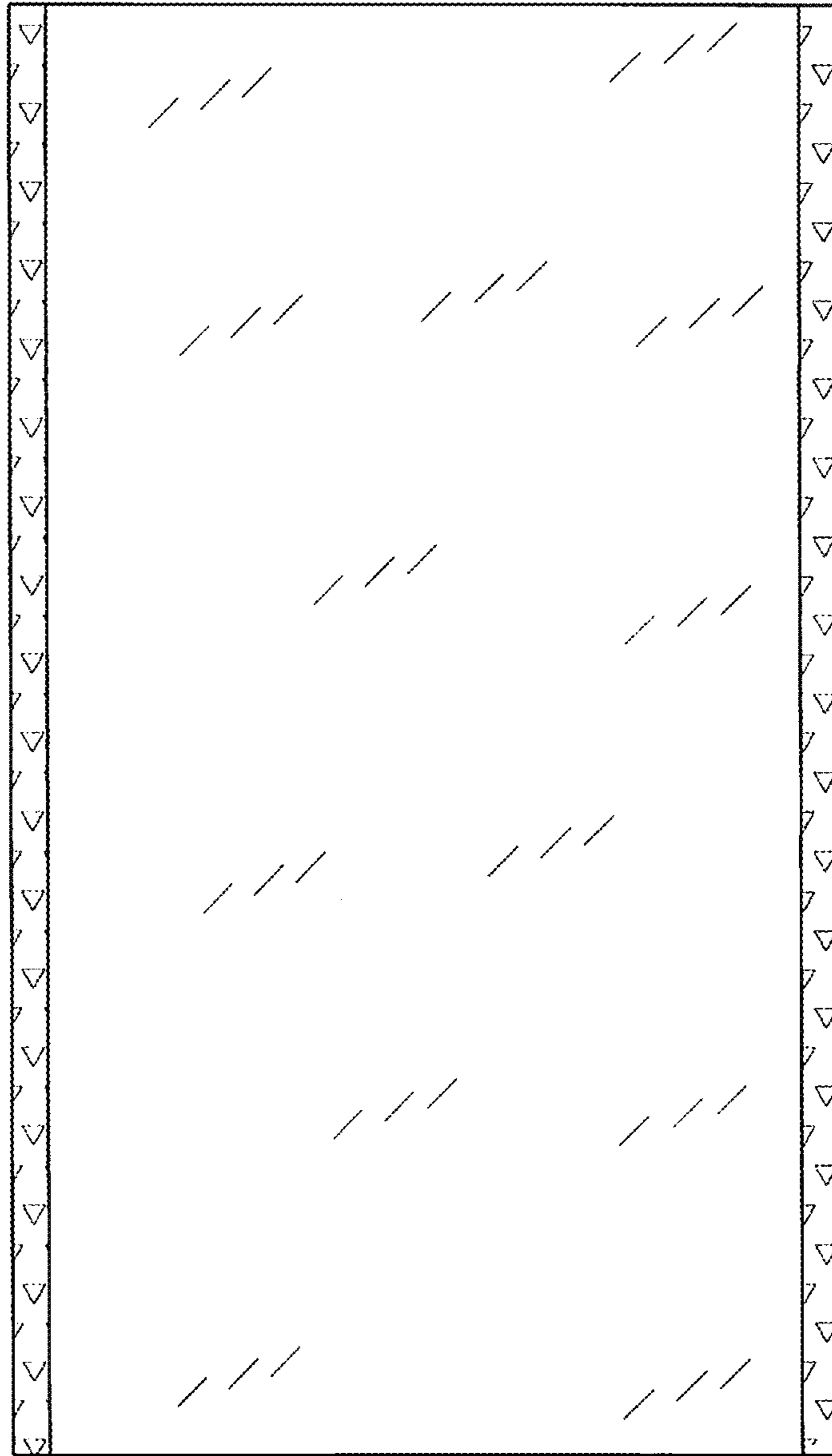


Fig. 5