



US00D779648S

(12) **United States Design Patent**
Badarello et al.

(10) **Patent No.:** **US D779,648 S**

(45) **Date of Patent:** **** Feb. 21, 2017**

(54) **CEILING FAN**

(71) Applicant: **HUNTER FAN COMPANY**,
Memphis, TN (US)

(72) Inventors: **Christophe Badarello**, Holly Springs,
MS (US); **Christine Holmes**, Cordova,
TN (US); **Charles William Botkin**,
Cordova, TN (US)

(73) Assignee: **Hunter Fan Company**, Memphis, TN
(US)

(**) Term: **15 Years**

(21) Appl. No.: **29/545,348**

(22) Filed: **Nov. 12, 2015**

(51) **LOC (10) Cl.** **23-04**

(52) **U.S. Cl.**
USPC **D23/377**; D23/413

(58) **Field of Classification Search**
USPC D23/370-387, 411-414, 365, 355,
D23/342, 332, 328, 337, 335, 314, 393;
415/60, 66, 415/68, 208.1, 213.1, 214.1,
415/209.3; 310/257; 361/695; 126/299 D,
126/299 R; D26/59, 89; D12/214
CPC F01D 9/042; F04D 25/08; F04D 29/70;
F04D 29/34; F04D 19/00; F24F
7/007; F24F 13/082; F24F 7/065; F24F
13/078

See application file for complete search history.

(56) **References Cited**

U.S. PATENT DOCUMENTS

4,518,314 A 5/1985 Schultz
D333,867 S 3/1993 Markwardt
D346,438 S * 4/1994 Caldwell D23/377
D349,336 S 8/1994 Tsuji
D355,027 S * 1/1995 Young D23/377

D376,845 S 12/1996 Chen
D421,797 S * 3/2000 Collmar D23/377
D438,950 S 3/2001 Frampton
6,733,241 B2 5/2004 Bird
D509,295 S 9/2005 Stauffer et al.
6,991,431 B2 1/2006 Ching Wen
D543,617 S 5/2007 Liu

(Continued)

FOREIGN PATENT DOCUMENTS

CN 203257739 U 10/2013
TW 335103 6/1998

OTHER PUBLICATIONS

<http://www.quoruminternational.com/index.cfm/app/productDetail?product=98604-65>, Item Specification for Satin Nickel Ceiling Fan 98604-65, accessed Feb. 25, 2015.

(Continued)

Primary Examiner — Susan Bennett Hattan
Assistant Examiner — Janice Hallmark
(74) *Attorney, Agent, or Firm* — McGarry Bair PC

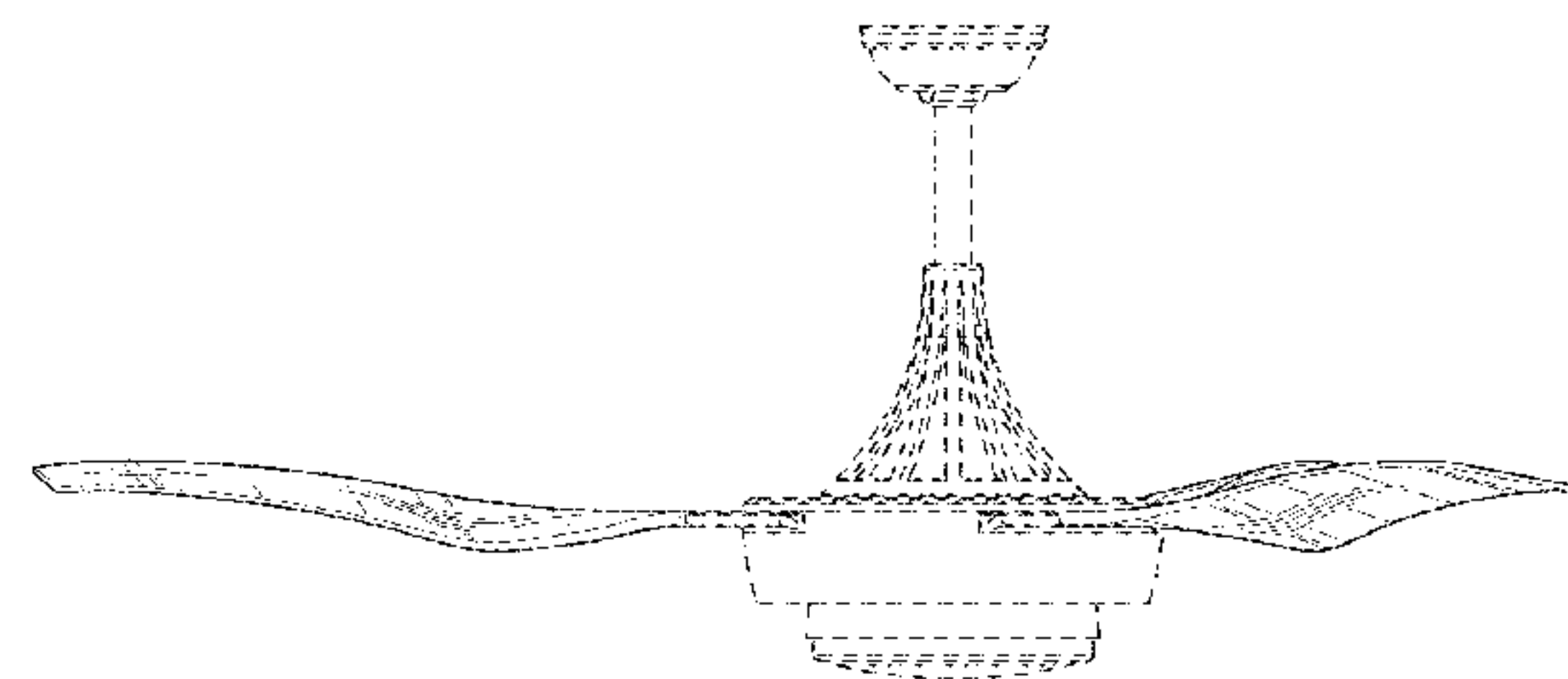
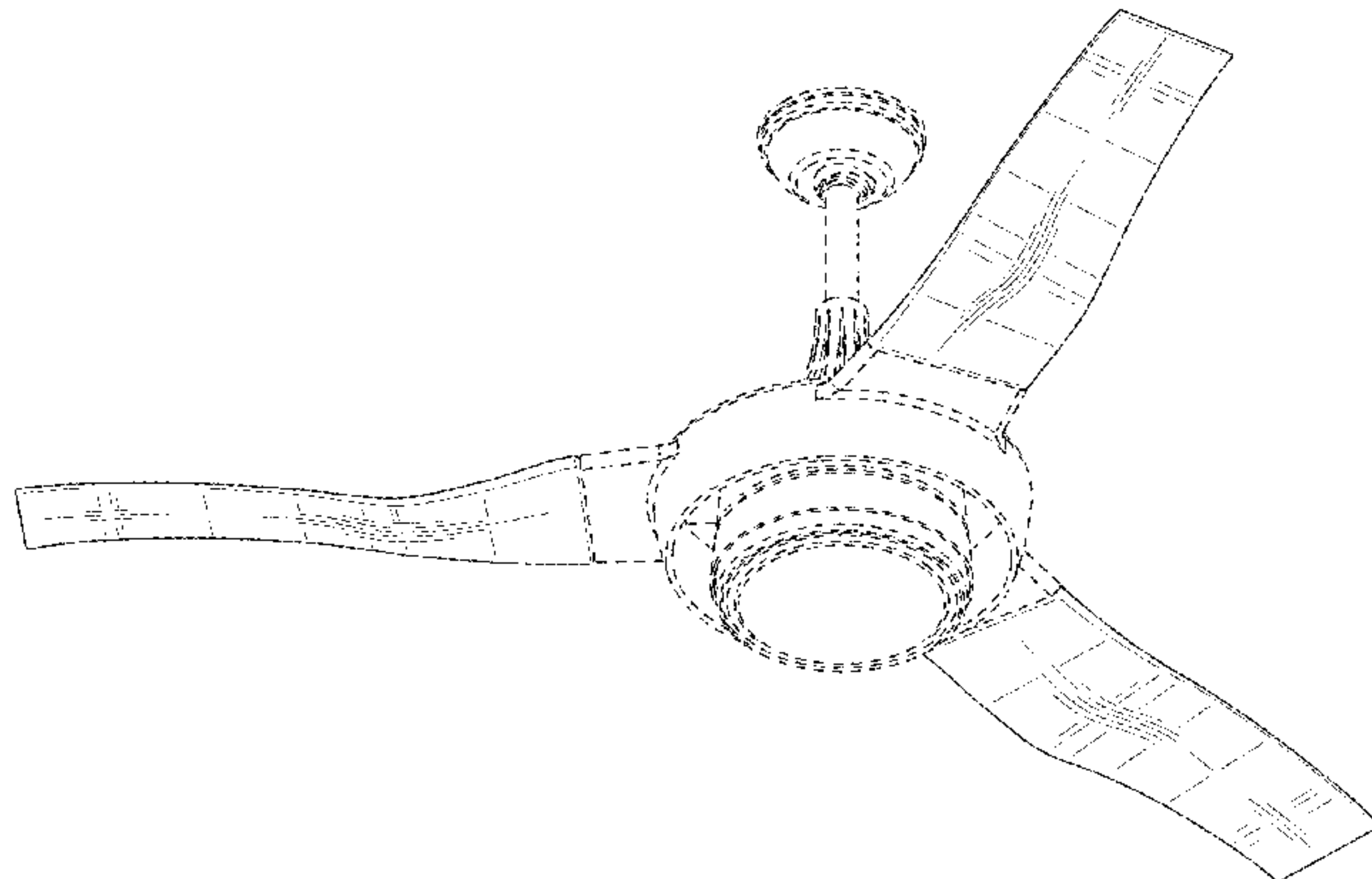
(57) **CLAIM**

The ornamental design for a ceiling fan, as shown and described.

DESCRIPTION

FIG. 1 is a bottom perspective view of a ceiling fan; FIG. 2 is a front view of the ceiling fan of FIG. 1; FIG. 3 is a rear view of the ceiling fan of FIG. 1; FIG. 4 is a right side view of the ceiling fan of FIG. 1; FIG. 5 is a left side view of the ceiling fan of FIG. 1; FIG. 6 is a top view of the ceiling fan of FIG. 1; and, FIG. 7 is a bottom view of the ceiling of FIG. 1. Portions of the ceiling fan shown in broken lines form no part of the claimed design.

1 Claim, 5 Drawing Sheets



(56)

References Cited

U.S. PATENT DOCUMENTS

7,210,910	B1 *	5/2007	Parker	F04D 25/088 416/223 R
D547,483	S	7/2007	Pickett	
7,273,349	B2	9/2007	Cartwright	
D571,455	S	6/2008	Hort et al.	
D586,901	S	2/2009	Hidalgo	
D598,997	S	8/2009	Klausing et al.	
D603,955	S	11/2009	Patton	
D627,050	S	11/2010	Pan	
D627,053	S	11/2010	Pan	
D627,874	S	11/2010	Pan	
D630,724	S	1/2011	Liu	
D632,381	S	2/2011	Davenport et al.	
D632,384	S	2/2011	Pan	
D632,780	S	2/2011	Pan	
D671,633	S	11/2012	Glasbrenner	
D675,720	S *	2/2013	Martin Conillas	D23/370
D704,819	S	5/2014	Wang	
D705,921	S	5/2014	Wang	
D705,970	S	5/2014	Ertze	
D706,407	S	6/2014	Wang	
D706,411	S	6/2014	Wang	
D706,970	S	6/2014	Wang	
D707,336	S *	6/2014	Pan	D23/377
D707,808	S	6/2014	Wang	
D710,490	S	8/2014	Shurtleff	
D716,438	S	10/2014	Liu	
D745,956	S *	12/2015	Ertze	D23/385
D750,213	S *	2/2016	Schulzman	D23/385
D761,949	S *	7/2016	Badarello	D23/377
D762,296	S *	7/2016	Badarello	D23/377
2012/0195767	A1	8/2012	Gervais et al.	

OTHER PUBLICATIONS

http://www.fanimation.com/products/big_island/?group_id=946, Item Specification for The Big Island Ceiling Fan, accessed Feb. 25, 2015.

<http://www.kichler.com/products/product/52-inch-maiden-fan-obb-300149obb.aspx>, Item Specification for 52 Inch Maiden Fan 3001490BB, accessed Feb. 25, 2015.

<http://www.montecarlofans.com/44076/56in-Lily---Brushed-Steel-5LLR56BSD.html>, Item Specification for Lily Ceiling Fan 5LLR56B SD, accessed Feb. 25, 2015.

<http://www.homedepot.com/p/Home-Decorators-Collection-Cassaro-II-52-in-Brushed-Nickel-Ceiling-Fan-AM113-BN/204739437?keyword=cassaro+II>, Item Specification for Cassaro II 52 in. Brushed Nickel Ceiling Fan, accessed Feb. 25, 2015.

<http://www.homedepot.com/s/vento%2520fiore?NCNI=5>, Web Page Results for Vento Fiore Ceiling Fans, accessed Feb. 25, 2015.

<http://www.craftmade.com/Craftmade-SI56BA5-Brushed-Aluminum-Ceiling-Fan.HTM>, Item Specification for Silo 56" Ceiling Fan SI56BA5, accessed Feb. 25, 2015.

<http://www.quoruminternational.com/index.cfm/app/productDetail?product=54543-65>, Item Specification for Satin Nickel Ceiling Fan 54543-65, accessed Feb. 25, 2015.

<http://www.quoruminternational.com/index.cfm/app/productDetail?product=58524-65>, Item Specification for Satin Nickel Ceiling Fan 58524-65, accessed Feb. 25, 2015.

<http://www.craftmade.com/Craftmade-STU54PLN3-Polished-Nickel-Ceiling-Fan.HTM>, Item Specification for Studio 54" Ceiling Fan STU54PLN3, accessed Feb. 25, 2015.

<http://www.craftmade.com/Craftmade-MN44SS4-Stainless-Steel-Ceiling-Fan.HTM>, Item Specification for Montreal 44" Ceiling Fan MN44SS4, accessed Feb. 25, 2015.

<http://www.craftmade.com/Craftmade-PU52OB5-Oiled-Bronze-Ceiling-Fan.HTM>, Item Specification for Pulsar 52" Ceiling Fan, PU52OB5, accessed Feb. 25, 2015.

<http://www.craftmade.com/Craftmade-MND54BNK3Nickel-Ceiling-Fan.HTM>, Item Specification for Mondo 54" Ceiling Fan MND54BNK3, accessed Feb. 25, 2015.

<http://www.craftmade.com/Craftmade-HE52SS5-Stainless-Steel-Ceiling-Fan.HTM>, Item Specification for Helios 52" Ceiling Fan HE52SS5, accessed Feb. 25, 2015.

<http://www.craftmade.com/Craftmade-K11067-Chrome-Ceiling-Fan.HTM>, Item Specification for Sonnet Ceiling Fan K11067, accessed Feb. 25, 2015.

<http://www.emersonfans.com/en-US/Products/Transitional/Pages/CF995BS.aspx>, Item Specification for Laclede Eco Ceiling Fan CF995BS, accessed Feb. 25, 2015.

<http://www.emersonfans.com/en-US/Products/Transitional/Pages/CF880BS.aspx>, Item Specification for Amhurst Ceiling Fan CF880BS, accessed Feb. 25, 2015.

<http://www.emersonfans.com/en-US/Products/Contemporary/Pages/CF4900BS.aspx>, Item Specification for Southtowne Ceiling Fan CF4900BS, accessed Feb. 25, 2015.

<http://www.emersonfans.com/en-US/Products/Contemporary/Pages/CF430ORB.aspx>, Item Specification for Highrise Ceiling Fan CF430ORB, accessed Feb. 25, 2015.

<http://www.emersonfans.com/en-US/Products/Contemporary/Pages/CF955BS.aspx>, Item Specification for Midway Eco Ceiling Fan CF955BS, accessed Feb. 25, 2015.

<http://www.emersonfans.com/en-US/Products/Contemporary/Pages/CF550DMBS.aspx>, Item Specification for Luxe Eco Ceiling Fan CF550DMBS, accessed Feb. 25, 2015.

<http://www.emersonfans.com/en-US/Products/Contemporary/Pages/CF205BS.aspx>, Item Specification for Highpointe Ceiling Fan CF205BS, accessed Feb. 26, 2015.

<http://www.emersonfans.com/en-US/Products/Contemporary/Pages/CF765BS.aspx>, Item Specification for Loft Ceiling Fan CF765BS, accessed Feb. 26, 2015.

<http://www.fanimation.com/products/multimax/>, Item Specification for The Multimax One Versatile Fan FP8008BN, accessed Feb. 26, 2015.

<http://www.fanimation.com/products/zonix/>, Item Specification for The Zonix Modern Sophistication Fan FP4620BL, accessed Feb. 26, 2015.

<http://www.kichler.com/products/product/52-inch-vassar-fan-ni-300175ni.aspx>, Item Specification for Vassar Collection 52 Inch Vassar Fan NI 300175NI, accessed Feb. 26, 2015.

<http://www.kichler.com/products/product/arkwright-fan-ap-300146ap.aspx>, Item Specification for Arkwright Collection Arkwright Fan AP 300146AP, accessed Feb. 26, 2015.

<http://www.kichler.com/products/product/42-inch-innes-ii-fan-ni-300130ni.aspx>, Item Specification for Innes II 42" Collection 42 Inch Innes II Fan NI 300130NI, accessed Feb. 26, 2015.

<http://www.kichler.com/products/product/52-inch-ridley-fan-obb-300145obb.aspx>, Item Specification for 52 Inch Ridley Fan OBB 300145OBB, accessed Feb. 26, 2015.

<http://www.minkagroup.net/minka-aire/fans>, Item Specification for Aluma 52" Ceiling Fan F521-ORB, accessed Feb. 26, 2015.

<http://www.minkagroup.net/all-collections?keys=roto>, Item Specification for Roto 52" Ceiling Fan F524-ORB, accessed Feb. 26, 2015.

<http://www.minkagroup.net/all-collections?keys=flyte>, Item Specification for Flyte 56" Ceiling Fan F531-L-BN, accessed Feb. 26, 2015.

<http://www.minkagroup.net/all-collections?keys=artemis>, Item Specification for Artemis 58" Ceiling Fan F803-TL, accessed Feb. 26, 2015.

<http://www.modernfan.com/products/halo.html>, Halo Ceiling Fan, accessed Feb. 26, 2015.

<http://www.modernfan.com/products/lapa.html>, Lapa Ceiling Fan, accessed Feb. 26, 2015.

<http://www.modernfan.com/products/flute.html>, Flute Ceiling Fan, accessed Feb. 26, 2015.

<http://www.montecarlofans.com/38129/52-Vision---Oil-Rubbed-Bronze-3VNR52OZD.html>, Item Specification for Vision Ceiling Fan 3VNR52OZD, accessed Feb. 26, 2015.

<http://www.quoruminternational.com/index.cfm/app/productDetail?product=20543-965>, Item Specification for Satin Nickel Ceiling Fan 20543-965, accessed Feb. 26, 2015.

* cited by examiner

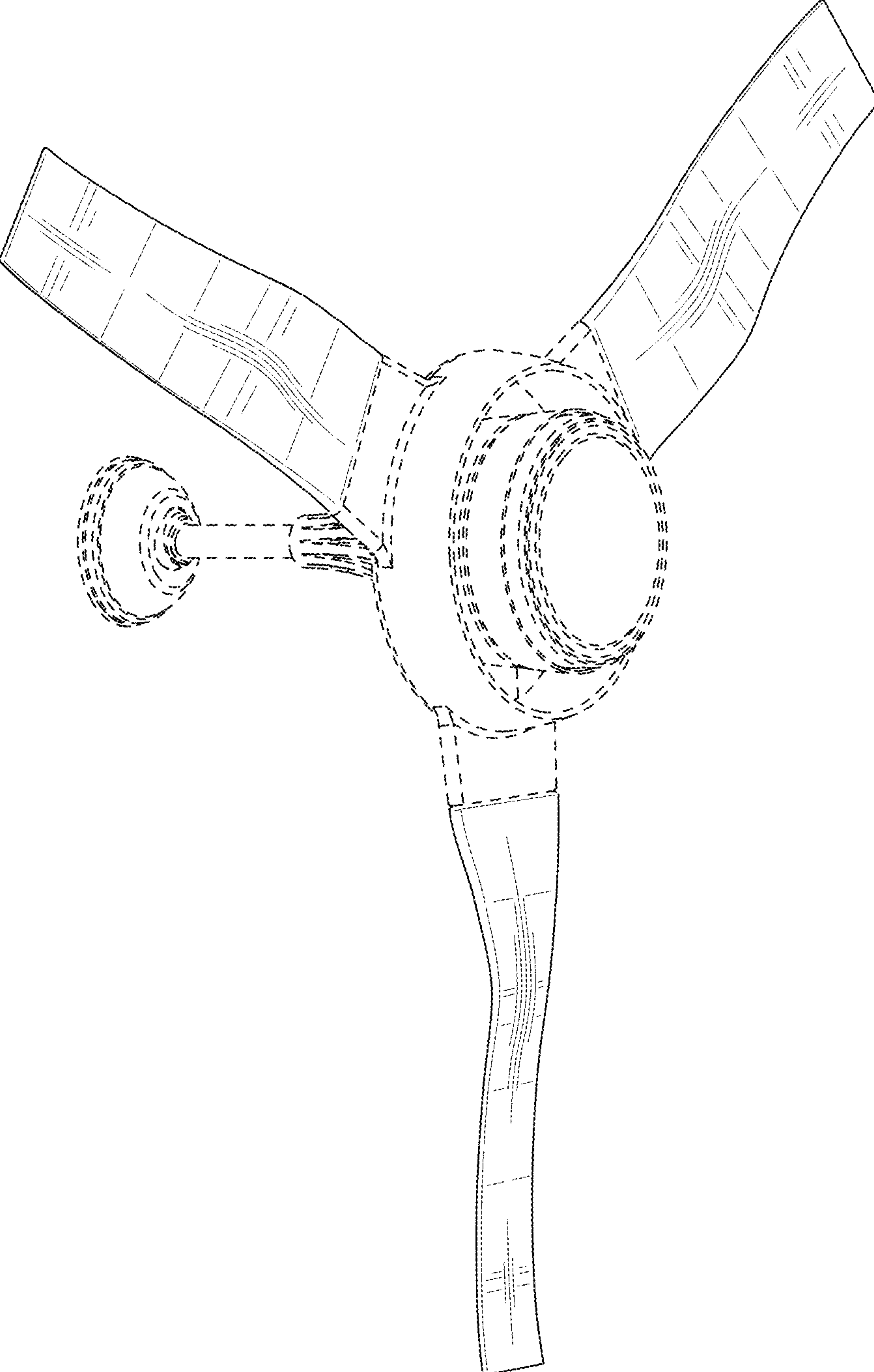


FIG. 1

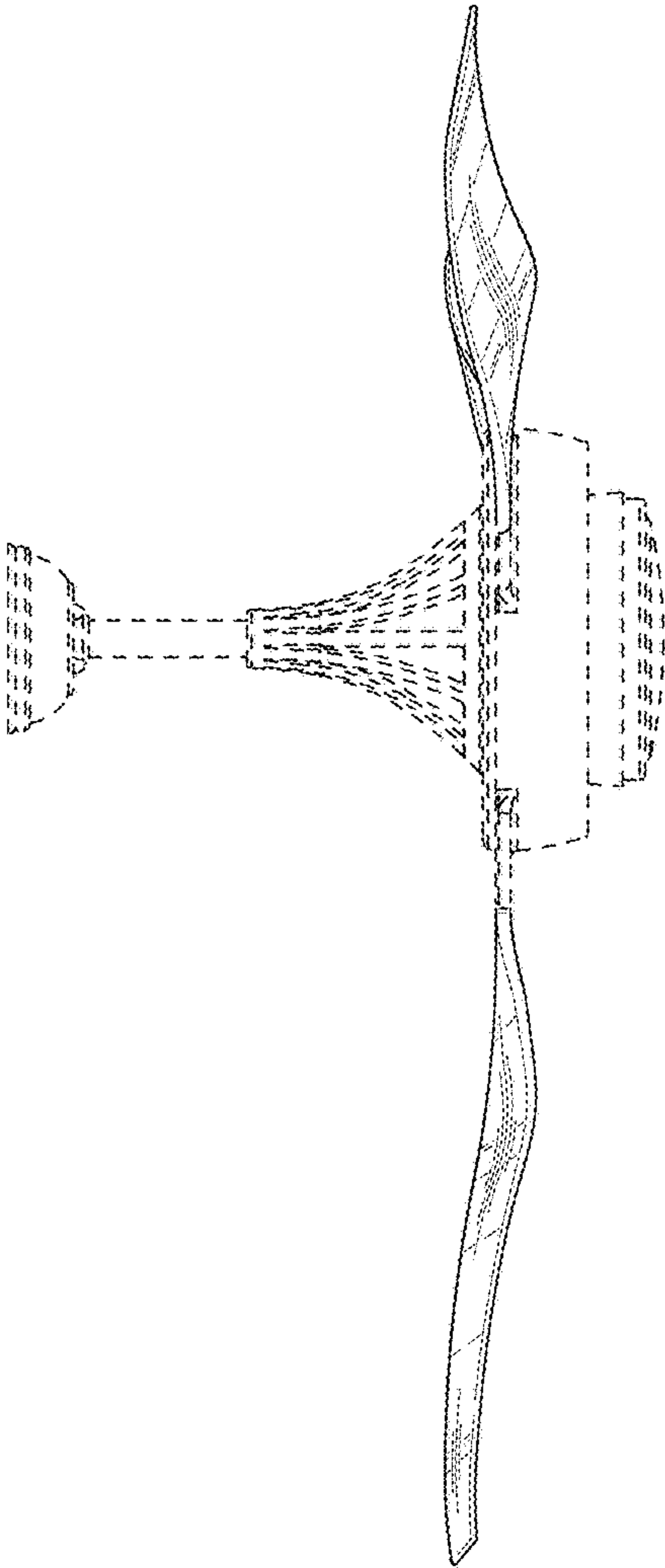


FIG. 2

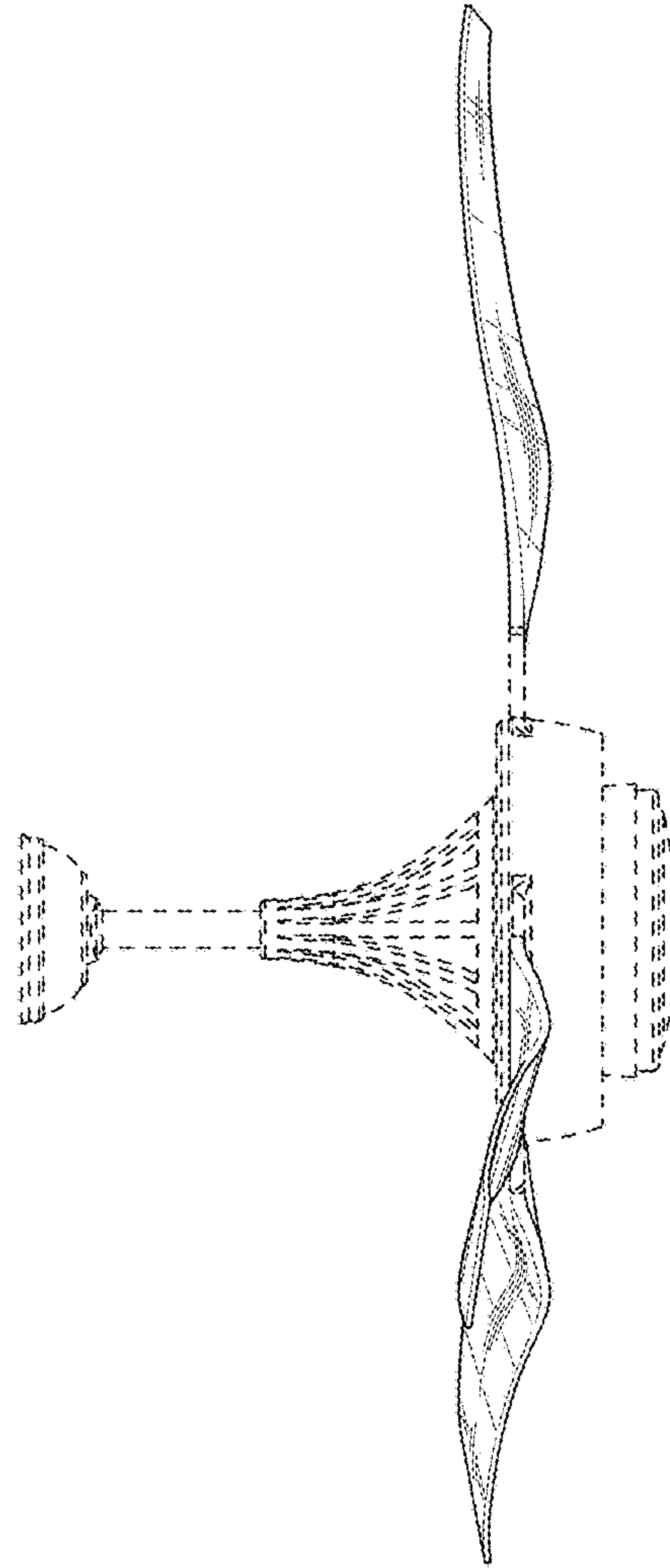


FIG. 3

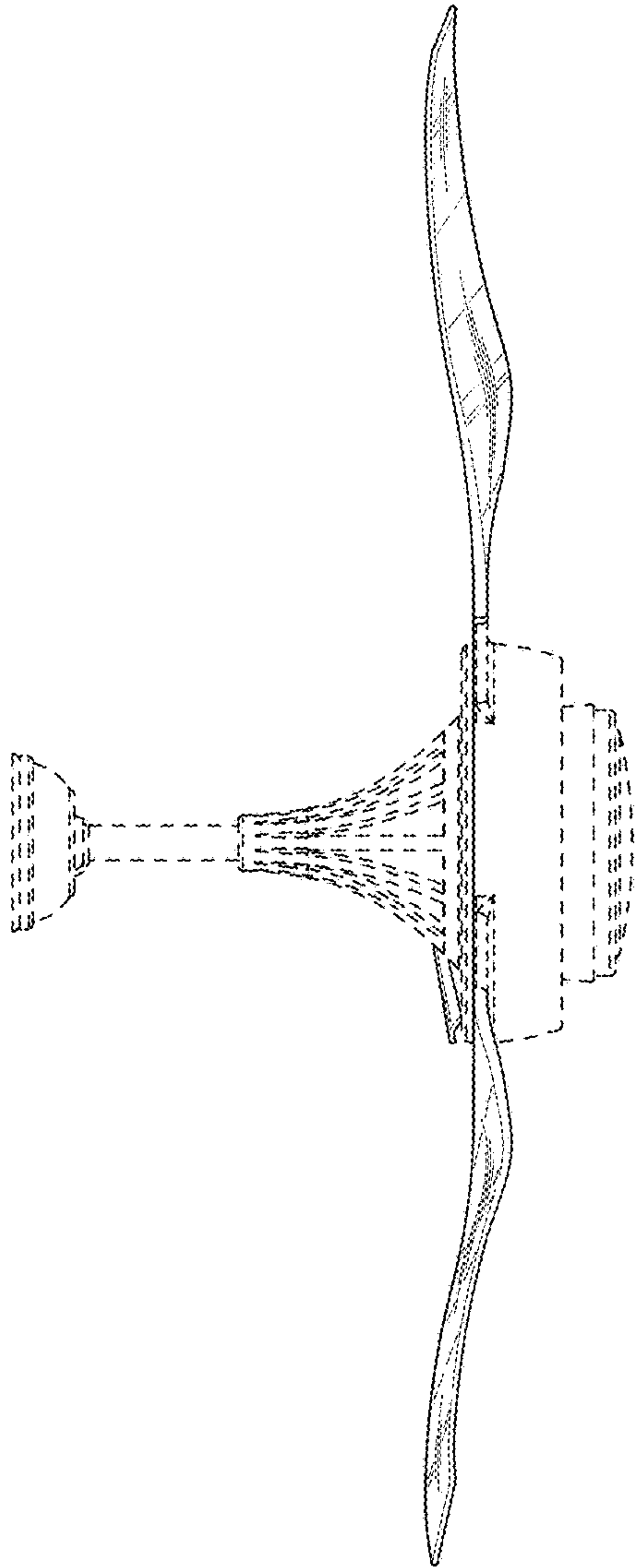


FIG. 4

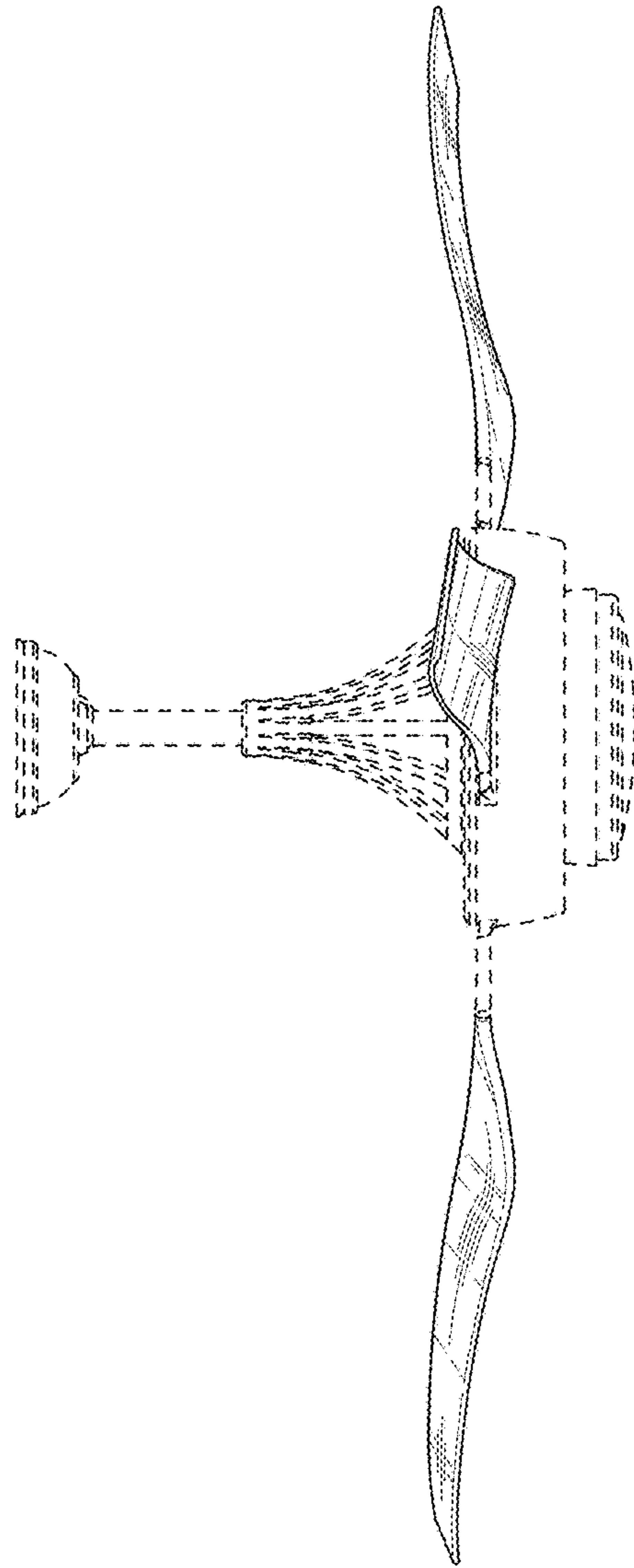


FIG. 5

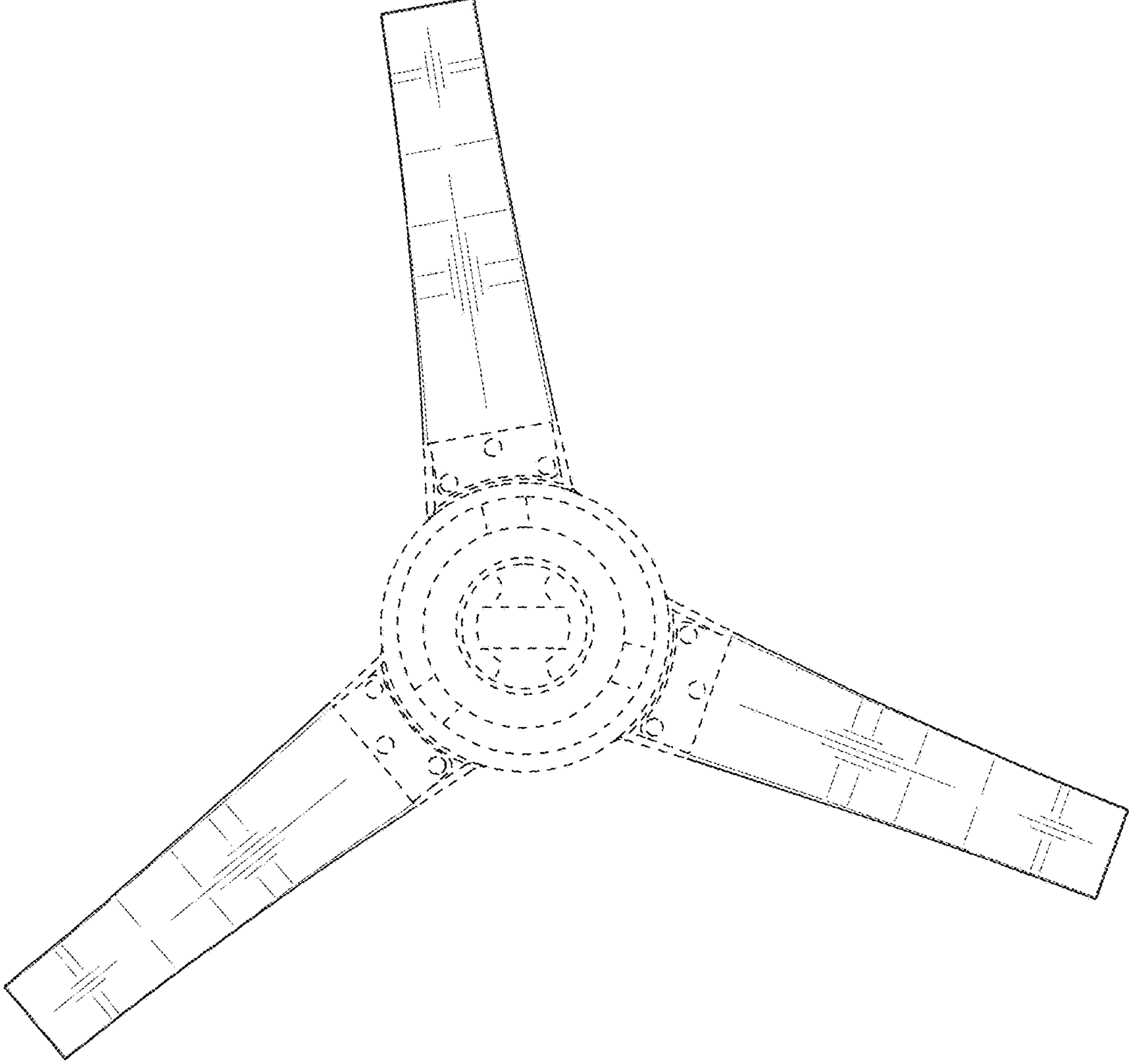


FIG. 6

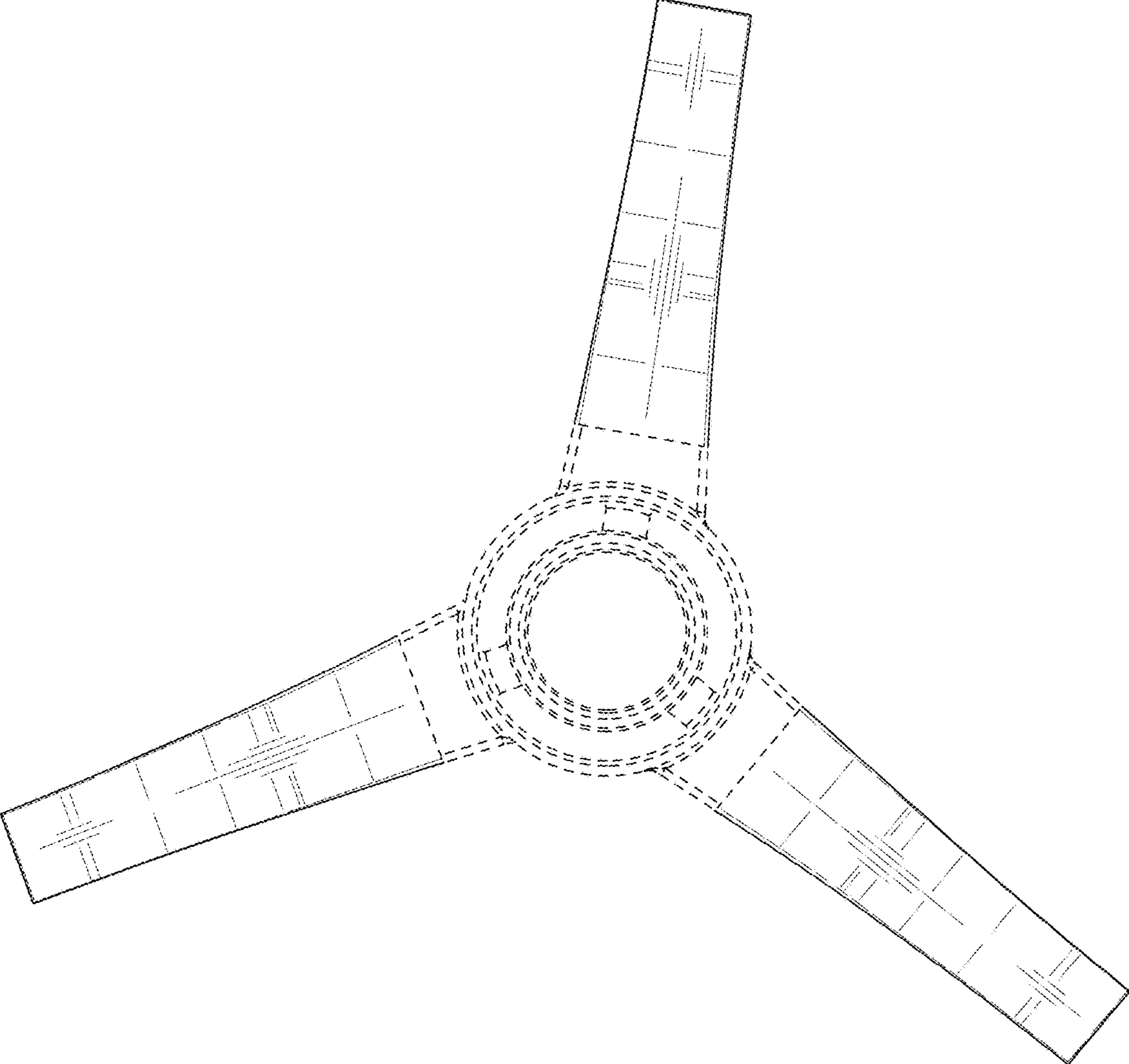


FIG. 7

UNITED STATES PATENT AND TRADEMARK OFFICE
CERTIFICATE OF CORRECTION

PATENT NO. : D779,648 S
APPLICATION NO. : 29/545348
DATED : February 21, 2017
INVENTOR(S) : Christophe Badarello, Christine Holmes and Charles William Botkin

Page 1 of 6

It is certified that error appears in the above-identified patent and that said Letters Patent is hereby corrected as shown below:

In the Drawings

Replace Figures 1-7 with Figures 1-7 as shown on the attached pages.

Signed and Sealed this
Eighth Day of August, 2017



Joseph Matal
*Performing the Functions and Duties of the
Under Secretary of Commerce for Intellectual Property and
Director of the United States Patent and Trademark Office*

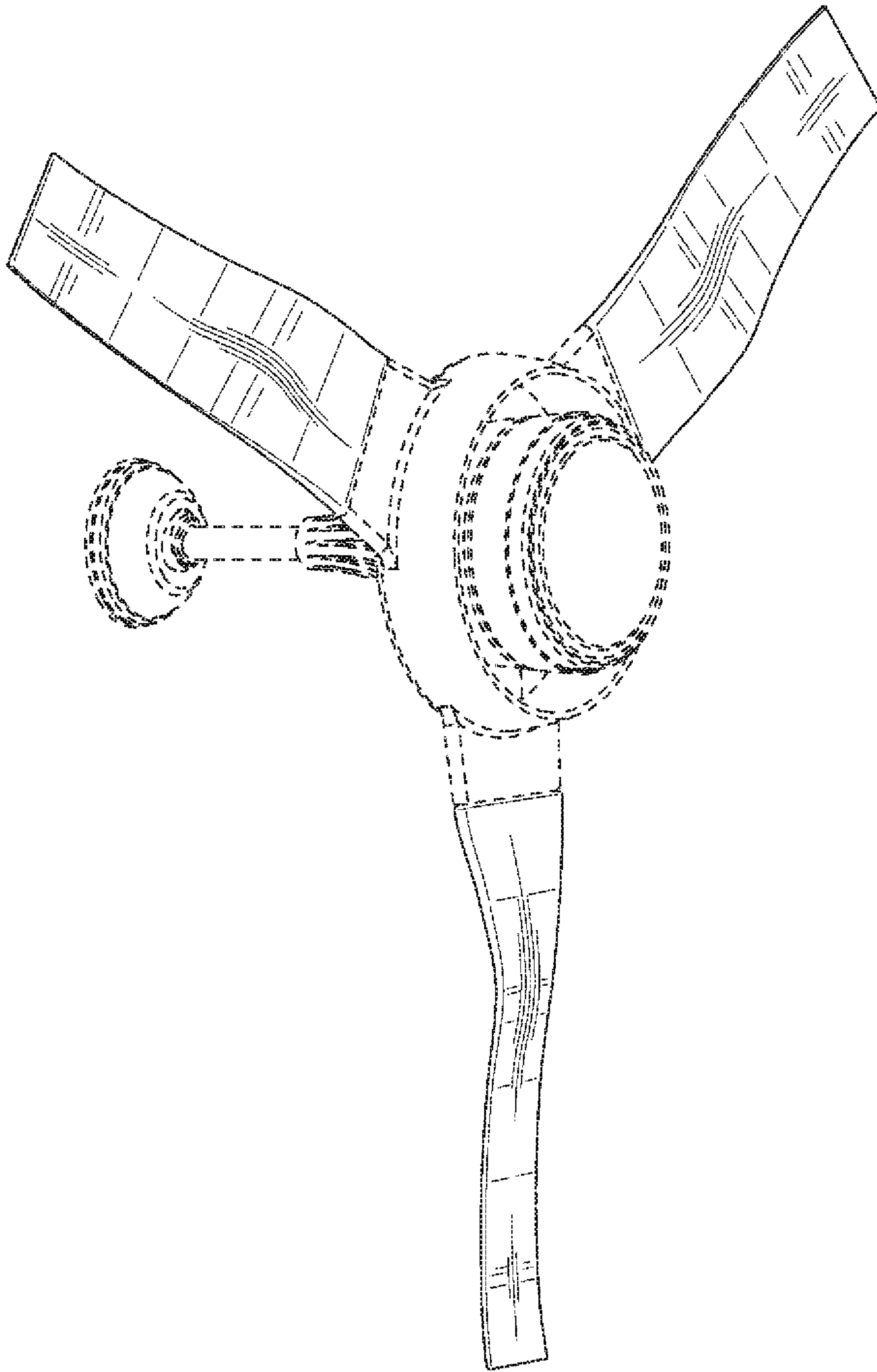


FIG. 1

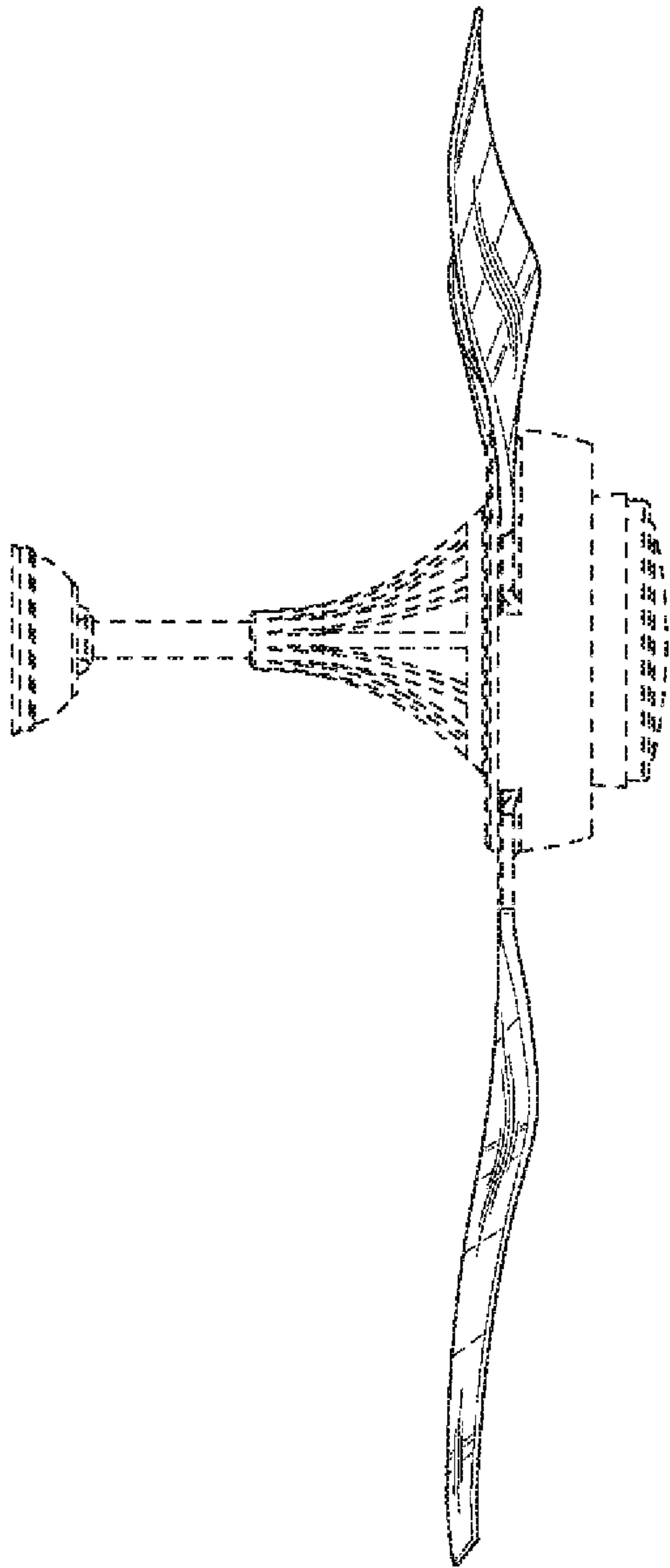


FIG. 2

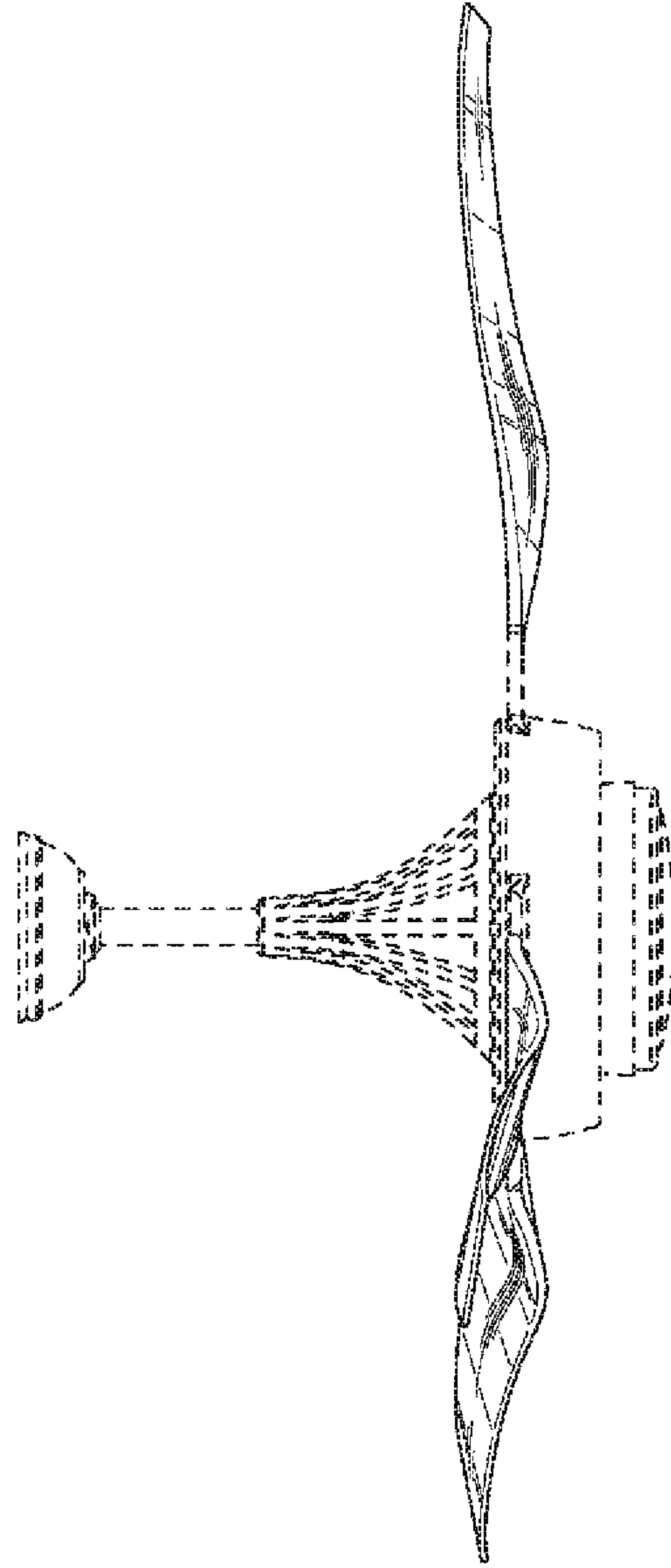


FIG. 3

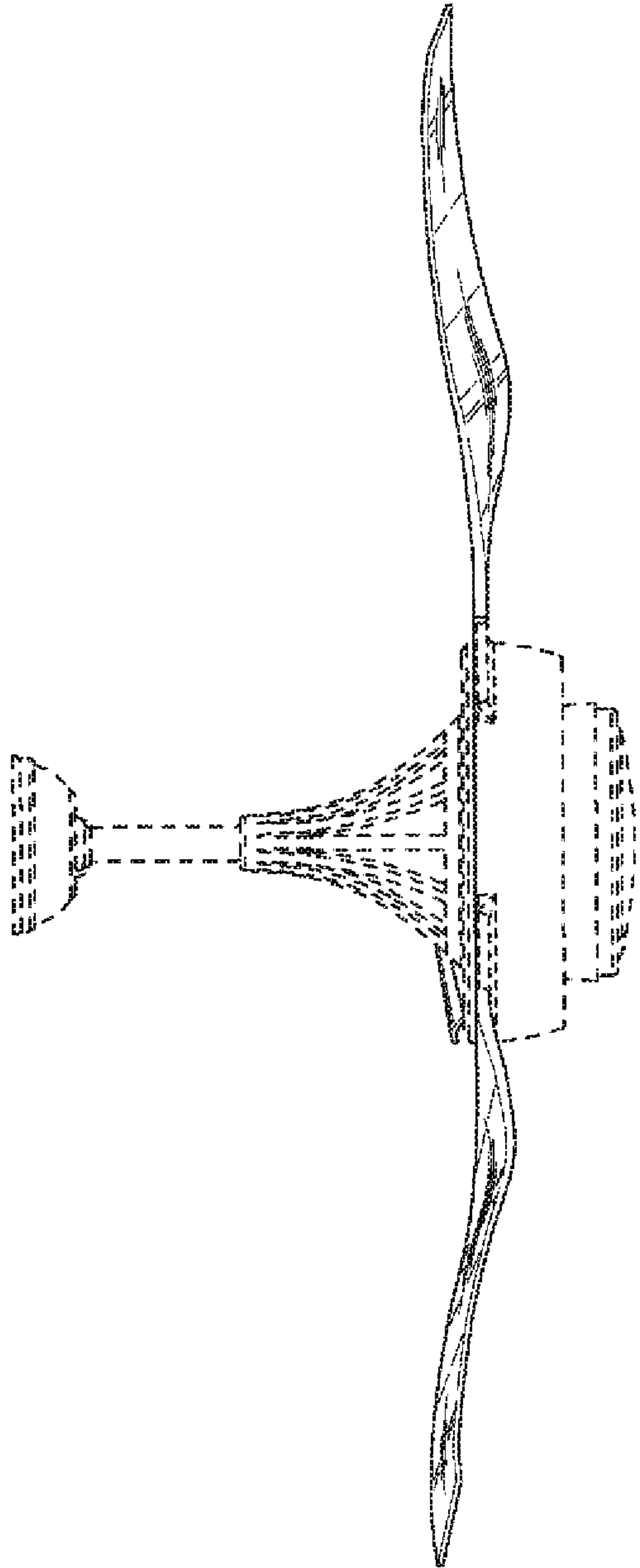


FIG. 4

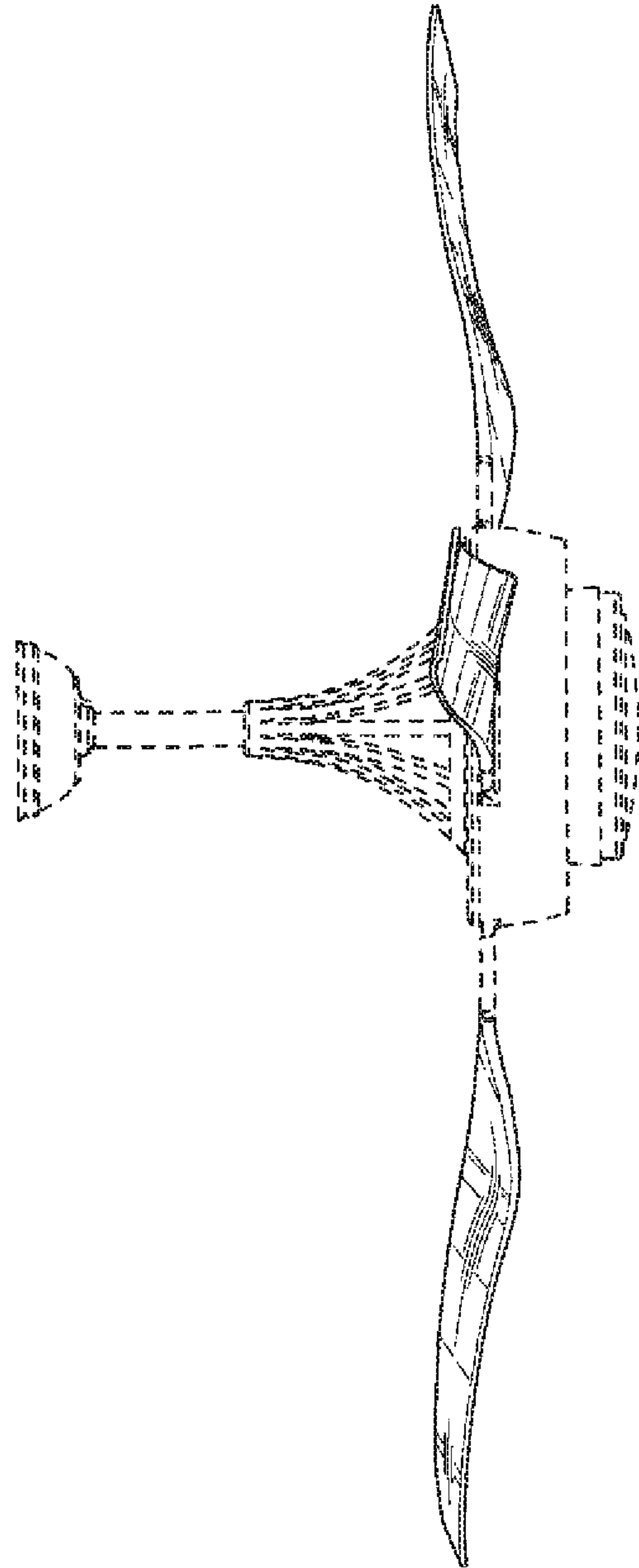


FIG. 5

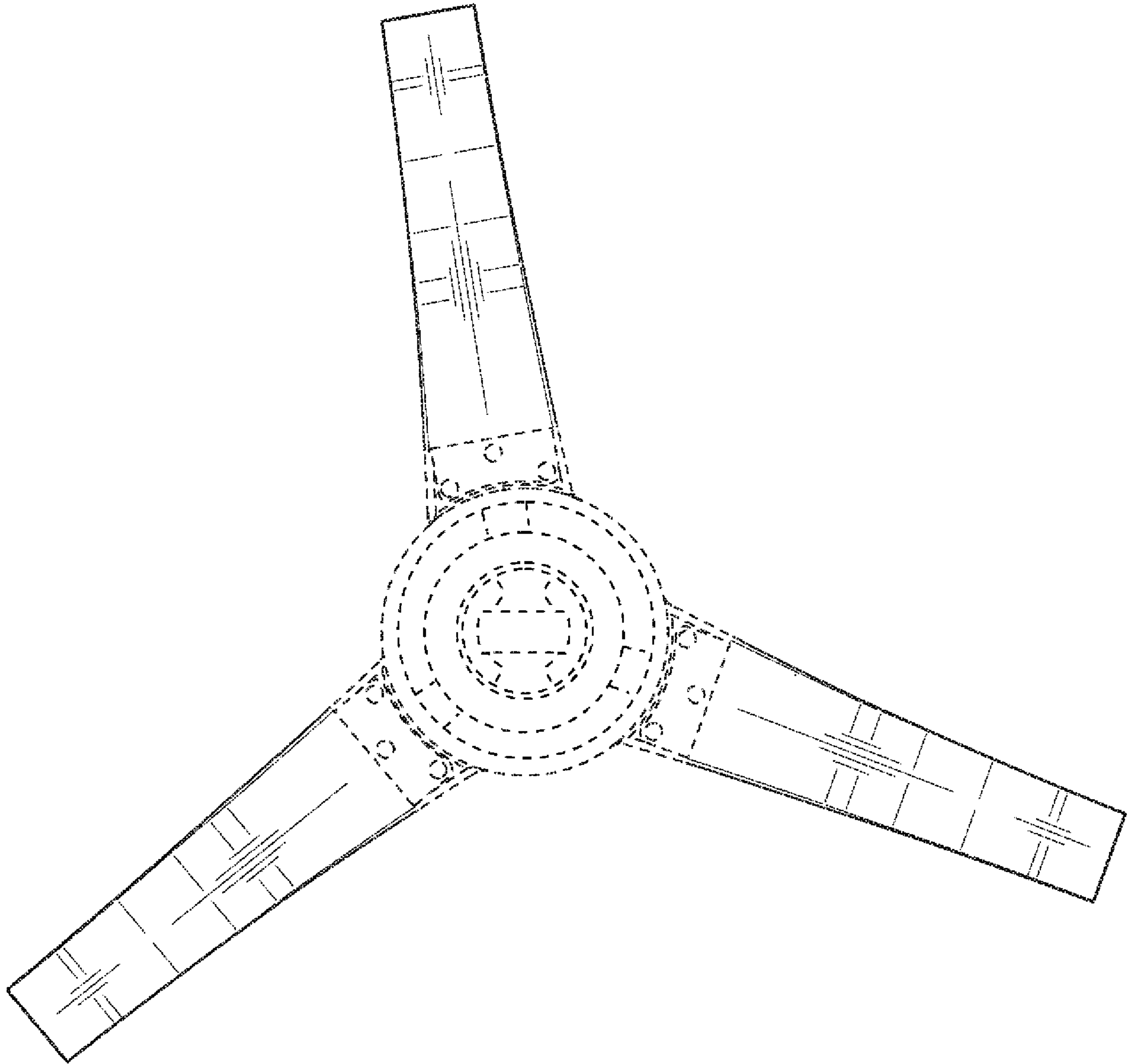


FIG. 6

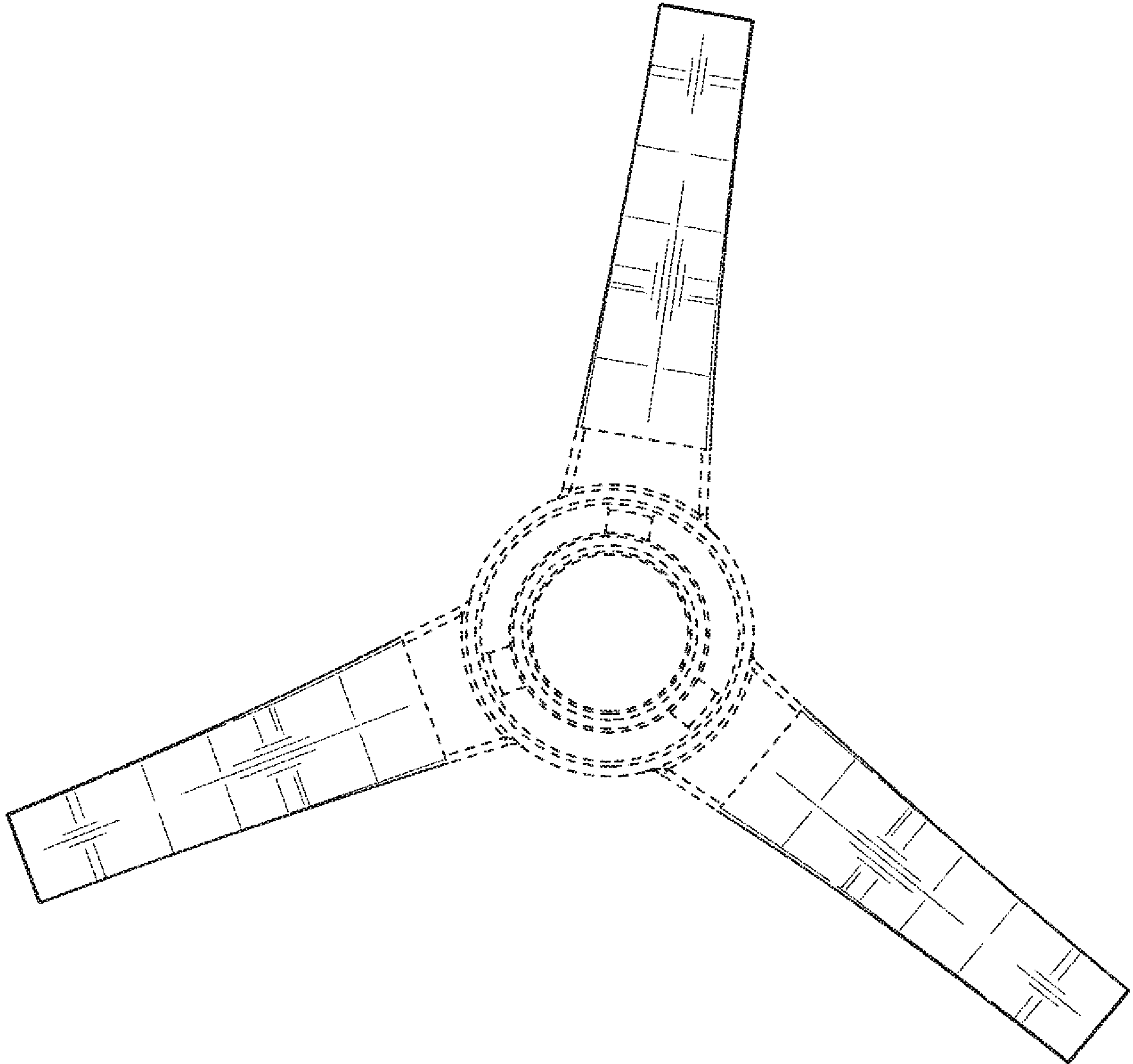


FIG. 7

UNITED STATES PATENT AND TRADEMARK OFFICE
CERTIFICATE OF CORRECTION

PATENT NO. : D779,648 S
APPLICATION NO. : 29/545348
DATED : February 21, 2017
INVENTOR(S) : Christophe Badarello, Christine Holmes and Charles William Botkin

Page 1 of 1

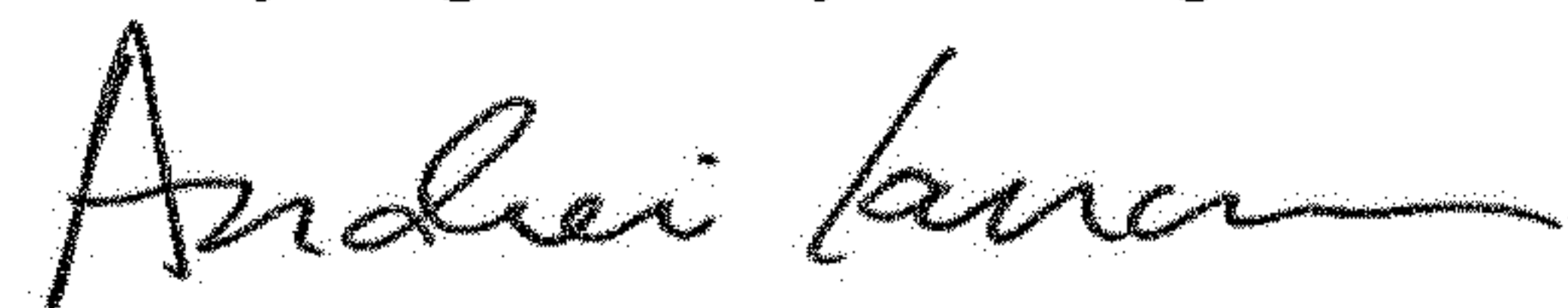
It is certified that error appears in the above-identified patent and that said Letters Patent is hereby corrected as shown below:

On the Title Page

Item [63], insert:

--Continuation of application No. 29/514,397, filed on Jan. 12, 2015, now Pat. No. Des. 761,949.--

Signed and Sealed this
Twenty-eighth Day of August, 2018



Andrei Iancu
Director of the United States Patent and Trademark Office