



US00D779647S

(12) **United States Design Patent**
Burton et al.

(10) **Patent No.:** **US D779,647 S**

(45) **Date of Patent:** **** Feb. 21, 2017**

- (54) **FAN**
- (71) Applicant: **Barebones Systems, LLC**, Bluffdale, UT (US)
- (72) Inventors: **David Jared Burton**, Payson, UT (US); **Michelle Ann Merrill**, Draper, UT (US); **Robert Emmett Workman**, Morgan, UT (US)

D681,186 S *	4/2013	Pan	D23/370
D685,459 S *	7/2013	Pan	D23/370
D687,533 S *	8/2013	Tang	D23/370
D691,256 S *	10/2013	Pan	D23/370
D733,861 S *	7/2015	Haaf	D23/370
D747,454 S *	1/2016	Stewart	D23/370
D760,370 S *	6/2016	Herbst	D23/370
2012/0183390 A1 *	7/2012	Pan	F04D 25/105 415/170.1

* cited by examiner

- (73) Assignee: **BAREBONES SYSTEMS, LLC**, Bluffdale, UT (US)

Primary Examiner — Cynthia Underwood

- (**) Term: **15 Years**

(74) *Attorney, Agent, or Firm* — Morriss O'Bryant Compagni, PC

- (21) Appl. No.: **29/534,742**

- (22) Filed: **Jul. 30, 2015**

(57) **CLAIM**

- (51) **LOC (10) Cl.** **23-04**

The ornamental design for a fan, as shown and described.

- (52) **U.S. Cl.**
USPC **D23/370**

- (58) **Field of Classification Search**
USPC D23/370, 355, 314, 414, 371, 377,
D23/385, 411, 383, 373, 378; 415/121.1;
D14/432

DESCRIPTION

CPC F04D 29/329; F04D 29/526; F04D 25/082;
F04D 29/325; F04D 29/703; F04D
29/547; B65D 90/36; F23L 17/02; F24F
13/1406; F24F 1/02
See application file for complete search history.

FIG. 1 is a perspective back side view of a fan of the present invention;

FIG. 2 is a front side view of the fan of FIG. 1;
FIG. 3 is a back side view of the fan of FIG. 1;
FIG. 4 is a right side view of the fan of FIG. 1;
FIG. 5 is a left side view of the fan of FIG. 1;
FIG. 6 is a top side view of the fan of FIG. 1; and,
FIG. 7 is a bottom side view of the fan of FIG. 1.

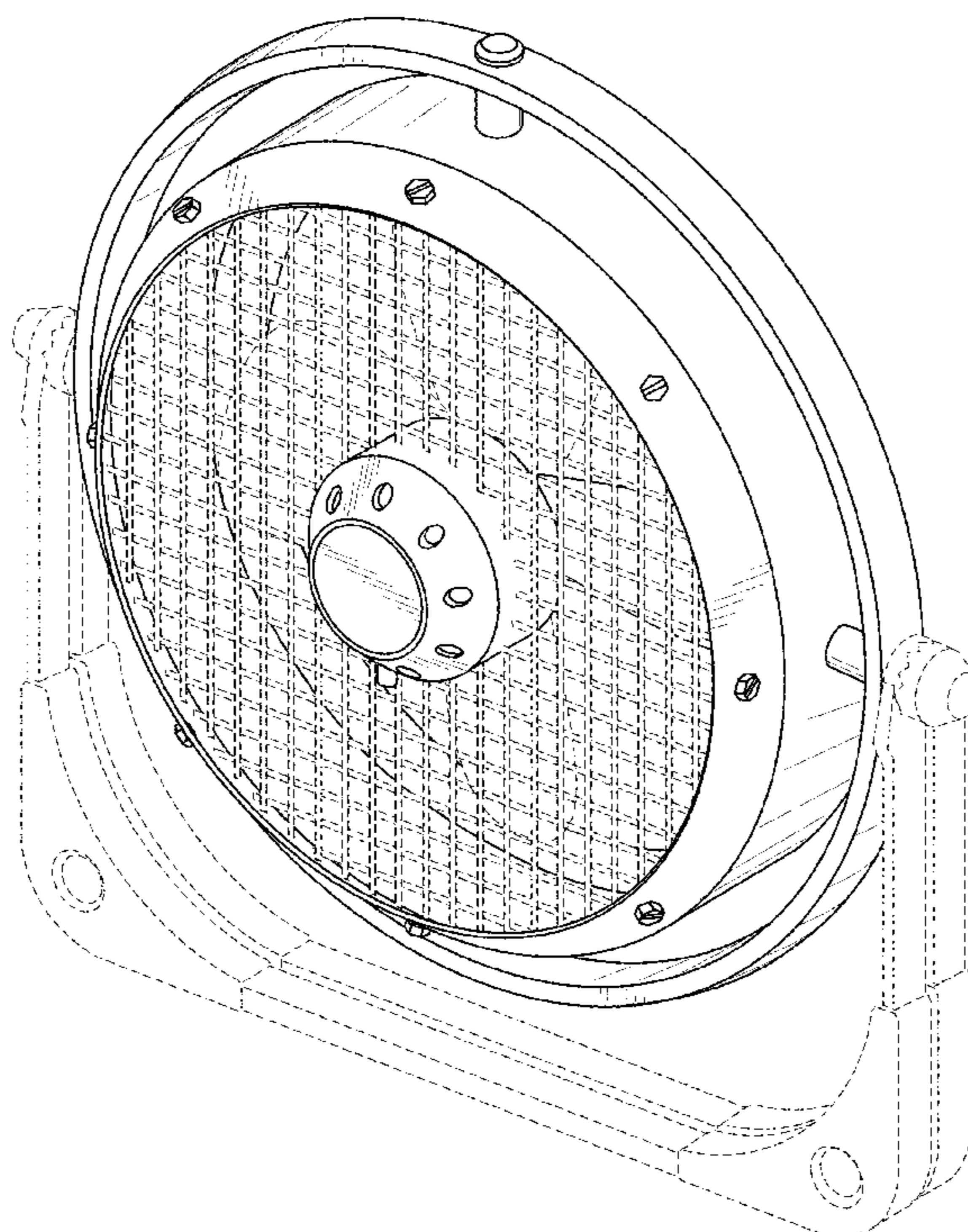
The broken lines shown in the drawings are for illustrative purposes only and form no part of the claimed design.

(56) **References Cited**

U.S. PATENT DOCUMENTS

D405,520 S *	2/1999	Birdsell	D23/381
D531,296 S *	10/2006	Chen	D23/370

1 Claim, 5 Drawing Sheets



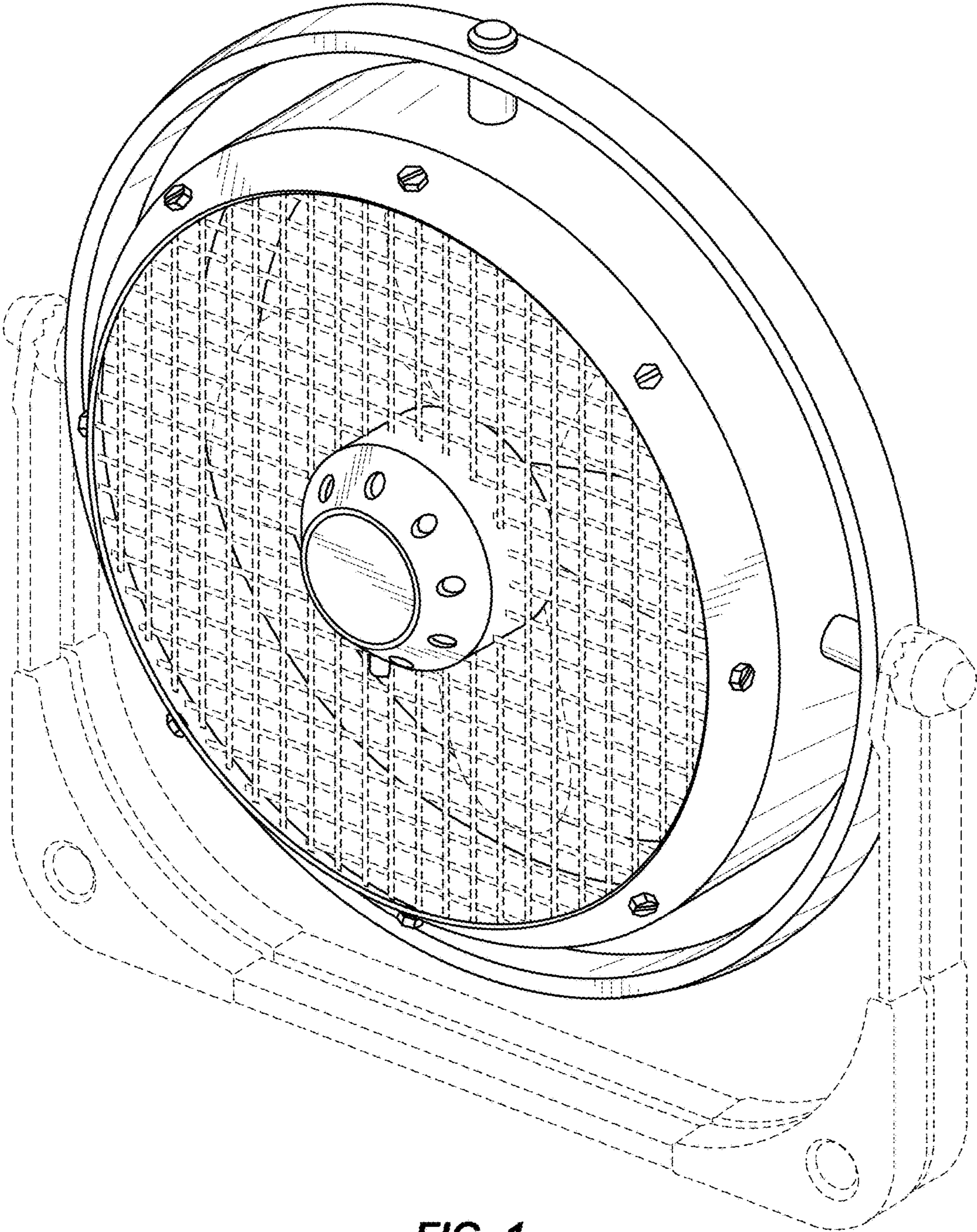


FIG. 1

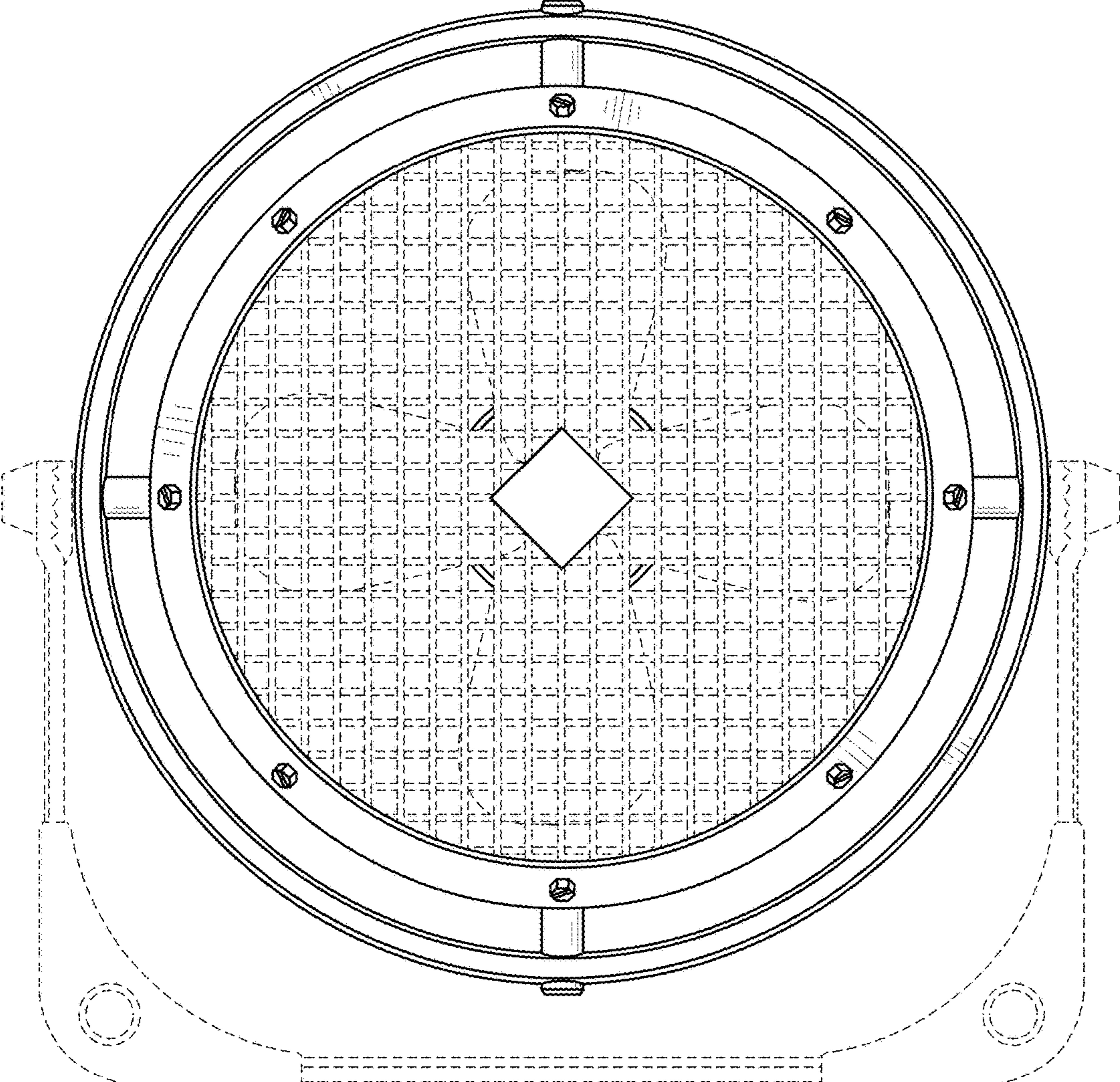


FIG. 2

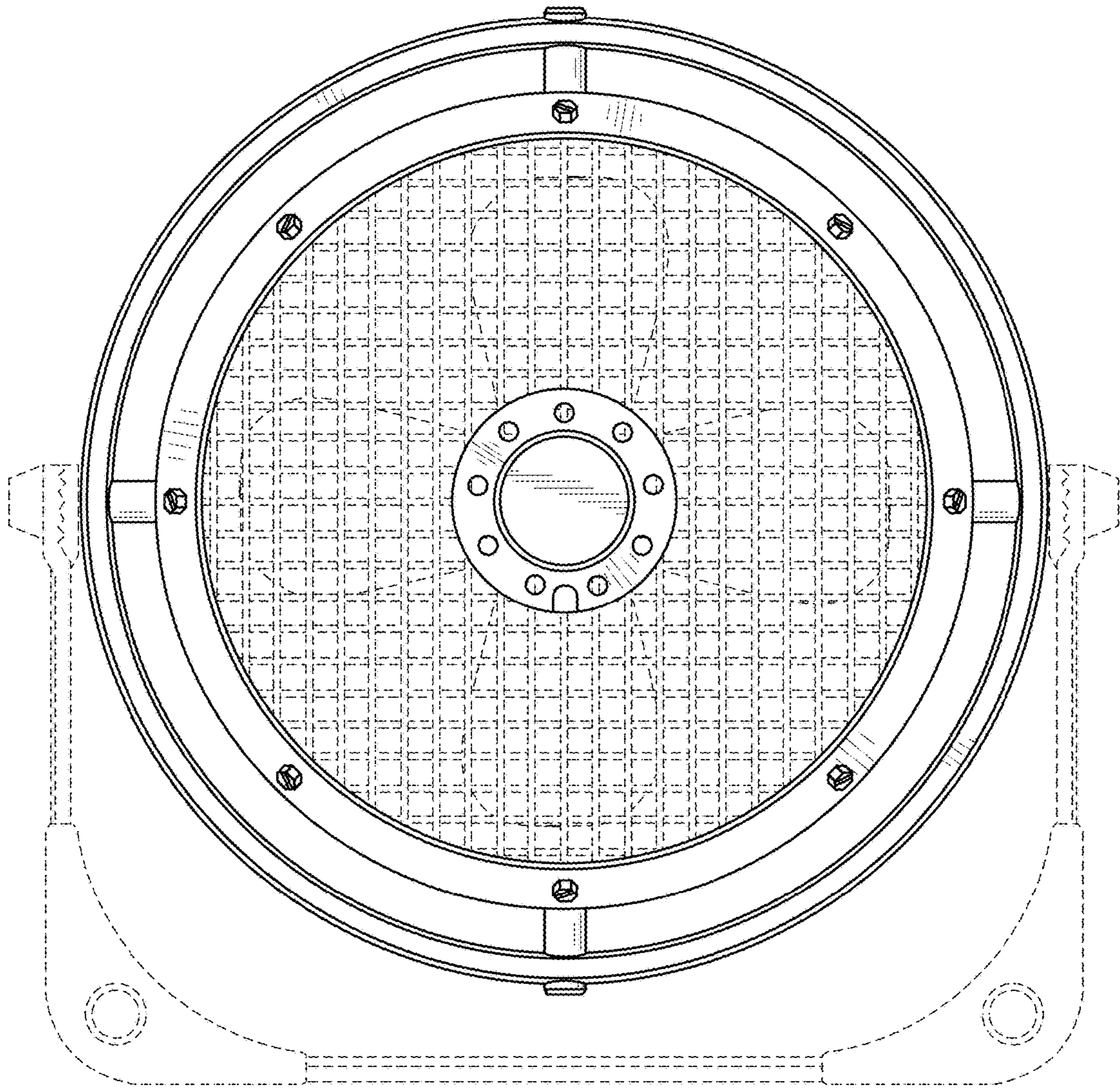


FIG. 3

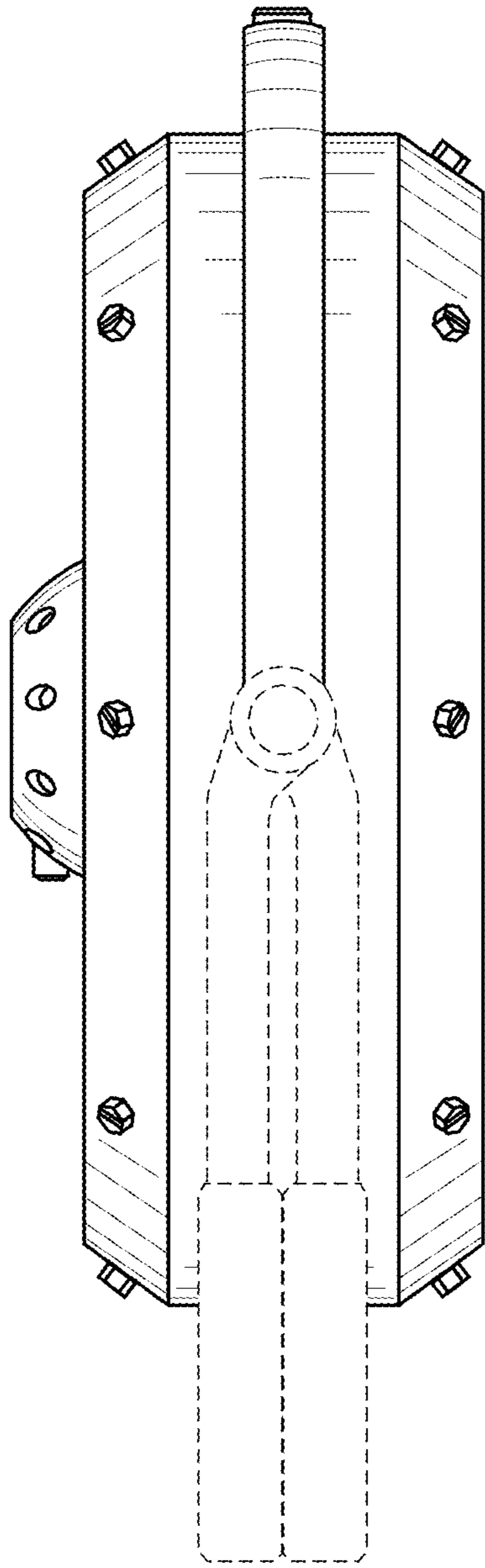


FIG. 4

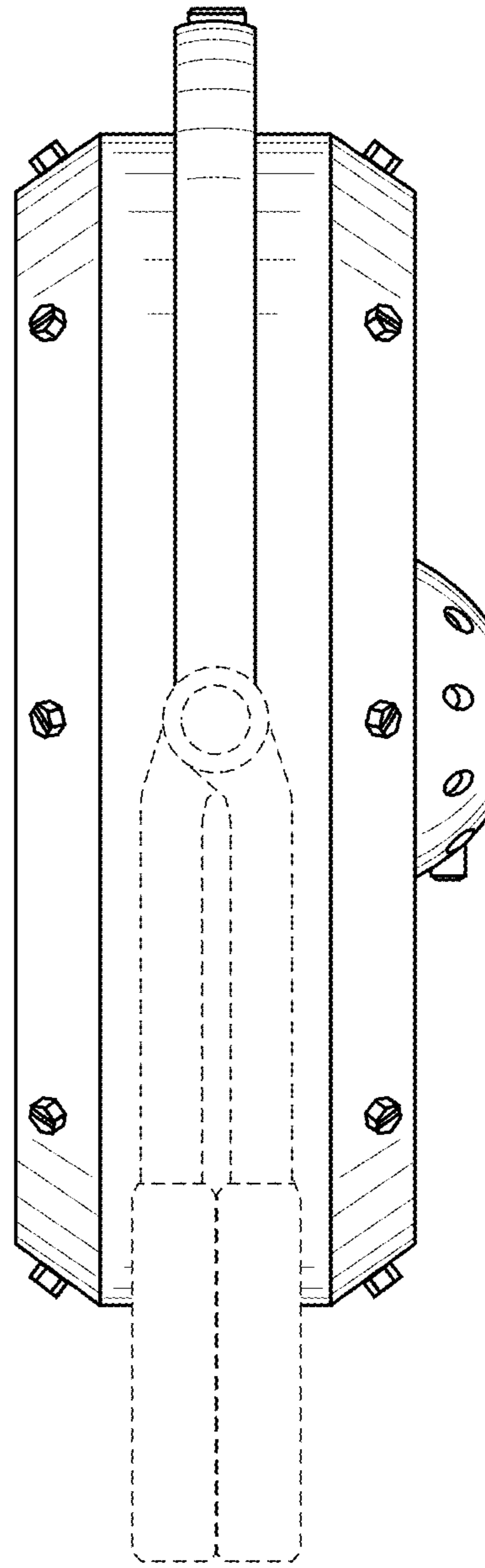


FIG. 5

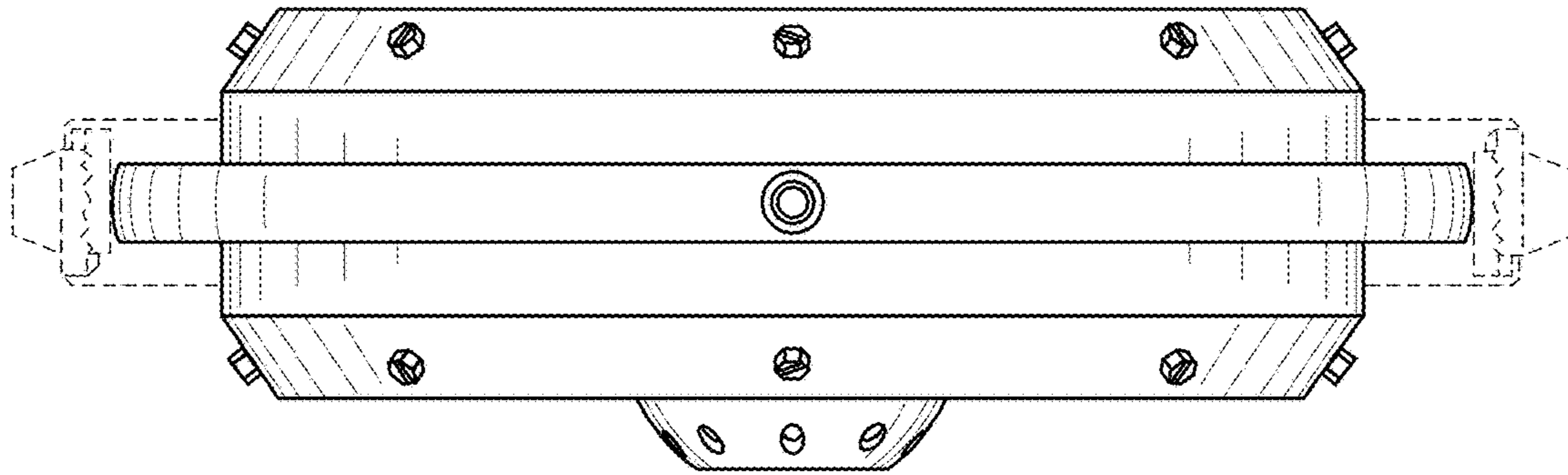


FIG. 6

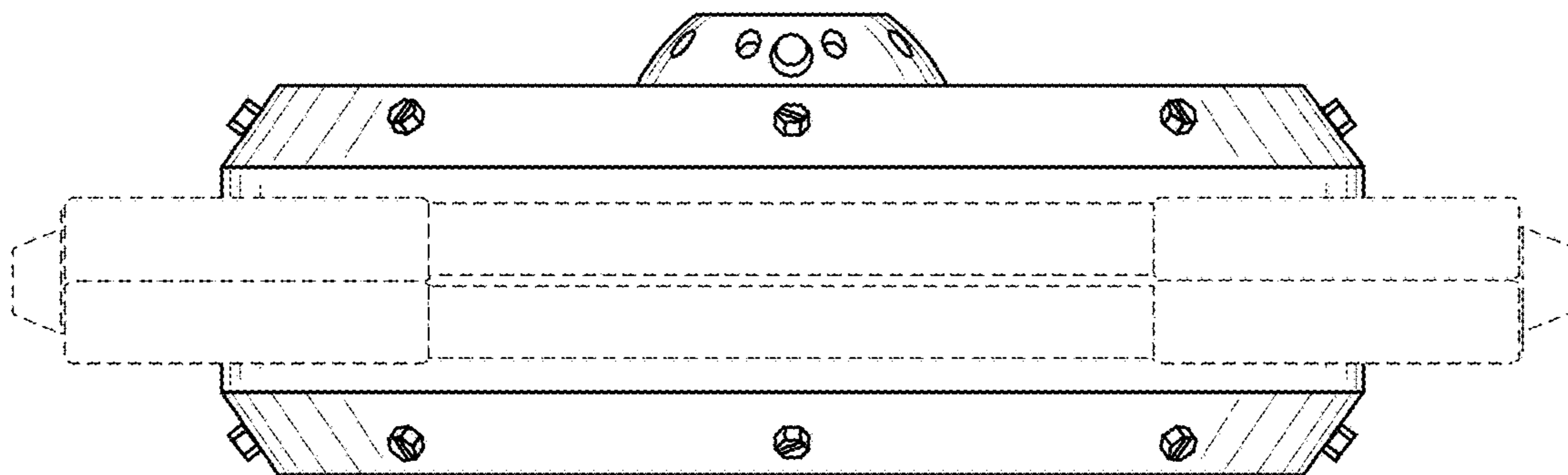


FIG. 7