



US00D779646S

(12) **United States Design Patent** (10) **Patent No.:** **US D779,646 S**  
**Michel** (45) **Date of Patent:** **\*\* Feb. 21, 2017**

(54) **AIR CONDITIONER**

(71) Applicant: **Electrolux Home Products, Inc.**,  
Charlotte, NC (US)

(72) Inventor: **Kim Michel**, Stockholm (SE)

(73) Assignee: **Electrolux Home Products, Inc.**,  
Charlotte, NC (US)

(\*\*) Term: **14 Years**

(21) Appl. No.: **29/514,381**

(22) Filed: **Jan. 12, 2015**

(51) **LOC (10) Cl.** ..... **23-04**

(52) **U.S. Cl.**  
USPC ..... **D23/354**

(58) **Field of Classification Search**  
USPC ..... D23/333, 335, 341, 342, 351, 353, 354,  
D23/355, 356, 359, 364, 365, 370, 385,  
D23/386, 388, 393  
CPC ..... F24F 1/00; F24F 1/0007; F24F 1/02;  
F24F 1/08; F24F 1/42; F24F 1/56; F24F  
1/60; F24F 3/044; F24F 3/048; F24F 3/16;  
F24F 7/00; F24F 7/04; F24F  
12/001; F24F 12/006  
See application file for complete search history.

(56) **References Cited**

**U.S. PATENT DOCUMENTS**

D311,245 S \* 10/1990 Choi ..... D23/359  
D553,229 S \* 10/2007 Song ..... D23/359

D587,794 S \* 3/2009 Yoo ..... D23/359  
D634,829 S \* 3/2011 Niki ..... D23/355  
D660,947 S \* 5/2012 Varma ..... D23/333  
D660,948 S \* 5/2012 Varma ..... D23/333  
D672,858 S \* 12/2012 Abbondanzio ..... D23/366  
D688,739 S \* 8/2013 Labat ..... D18/34.5  
D691,255 S \* 10/2013 Abbondanzio ..... D23/366  
D724,654 S \* 3/2015 Labat ..... D18/34.5

\* cited by examiner

*Primary Examiner* — George D. Kirschbaum

*Assistant Examiner* — Natasha Vujcic

(74) *Attorney, Agent, or Firm* — Banner & Witcoff, Ltd.

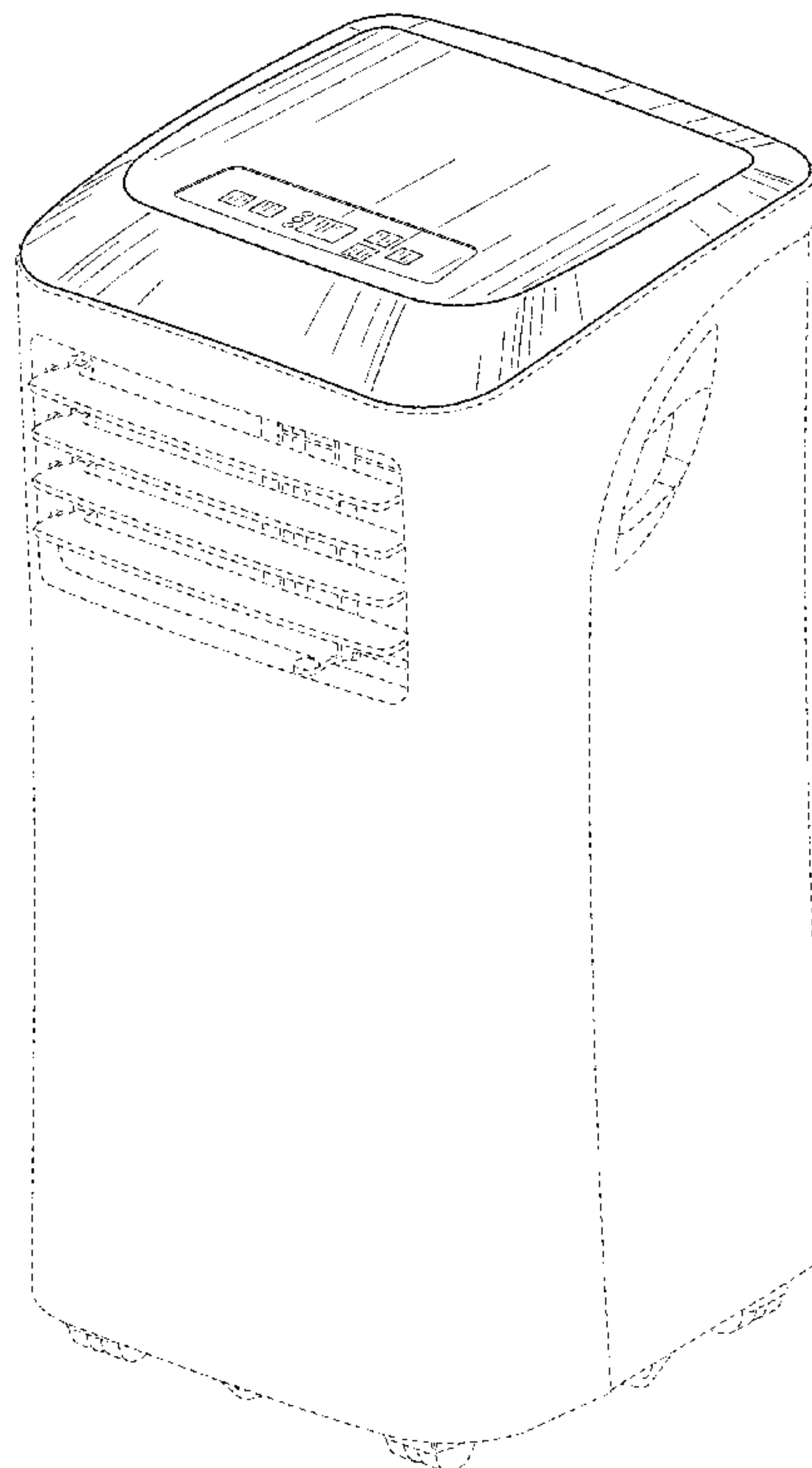
(57) **CLAIM**

The ornamental design for an air conditioner, as shown and described.

**DESCRIPTION**

FIG. 1 is a front perspective view of an air conditioner showing my new design;  
FIG. 2 is a front view thereof;  
FIG. 3 is a rear view thereof;  
FIG. 4 is a right side view thereof;  
FIG. 5 is a left side view thereof;  
FIG. 6 is a top view thereof; and,  
FIG. 7 is a bottom view thereof.  
The broken lines in the drawings illustrate portions of the air conditioner which form no part of the claimed design.

**1 Claim, 6 Drawing Sheets**



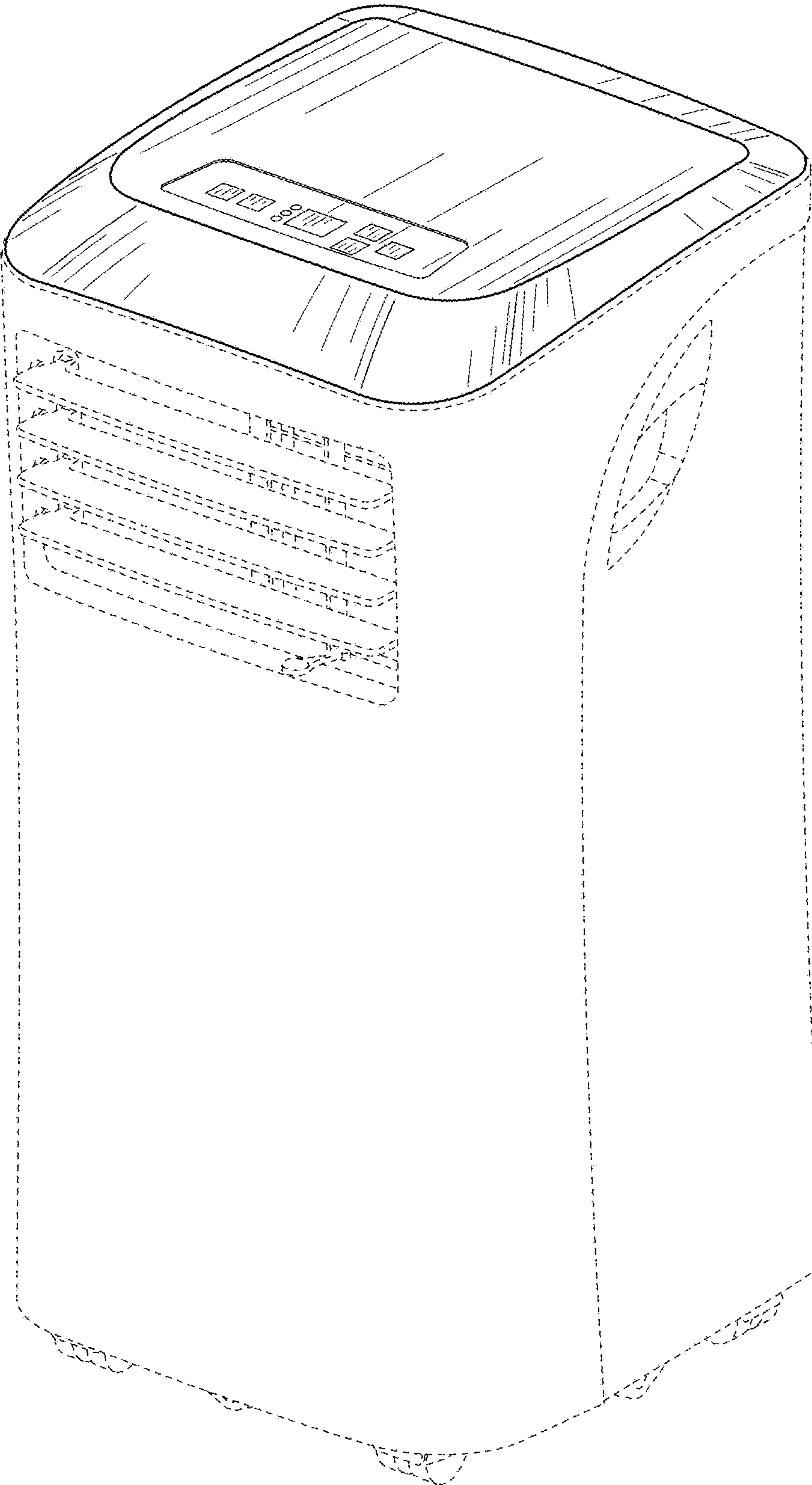


FIG. 1

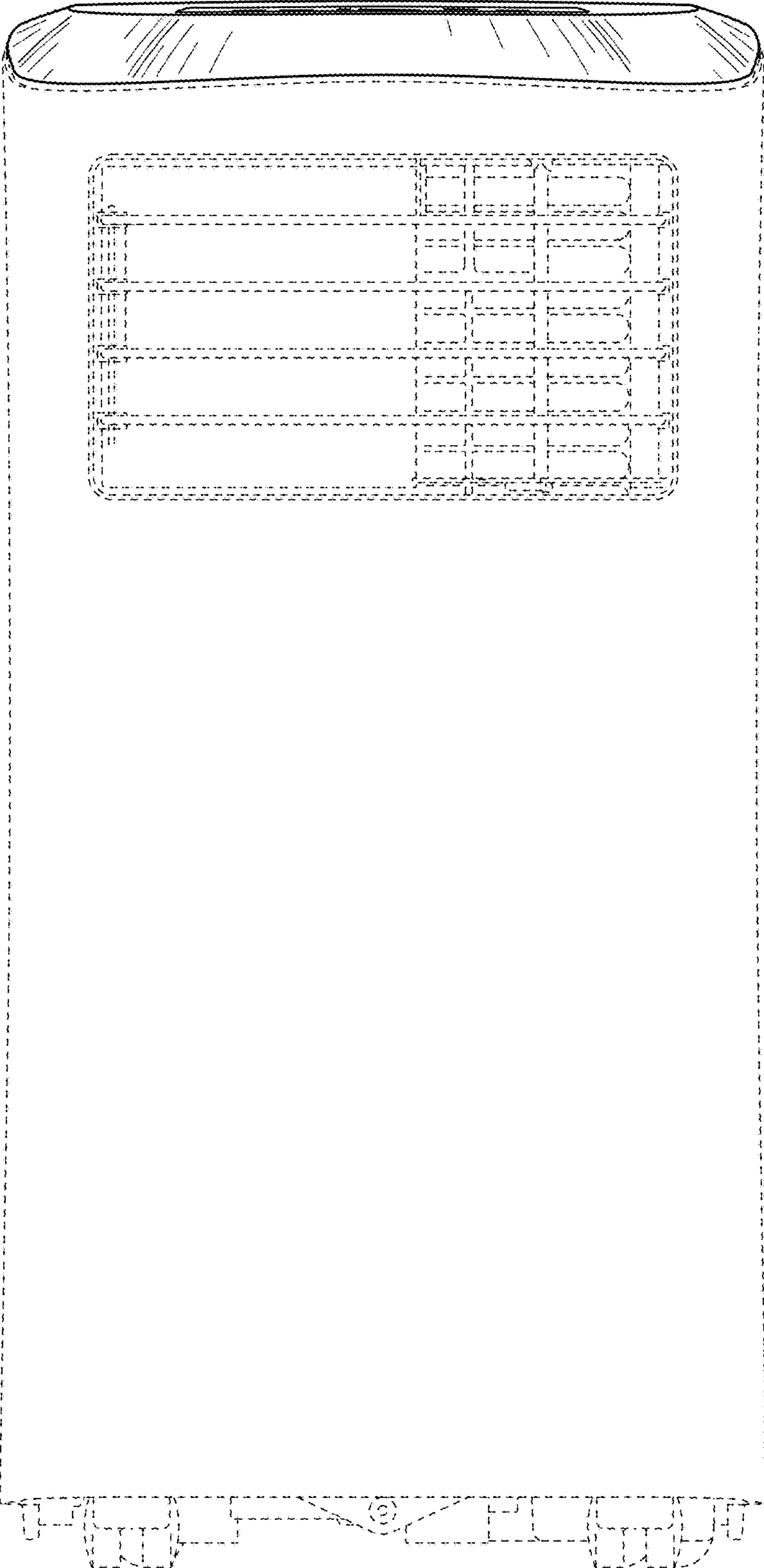


FIG. 2

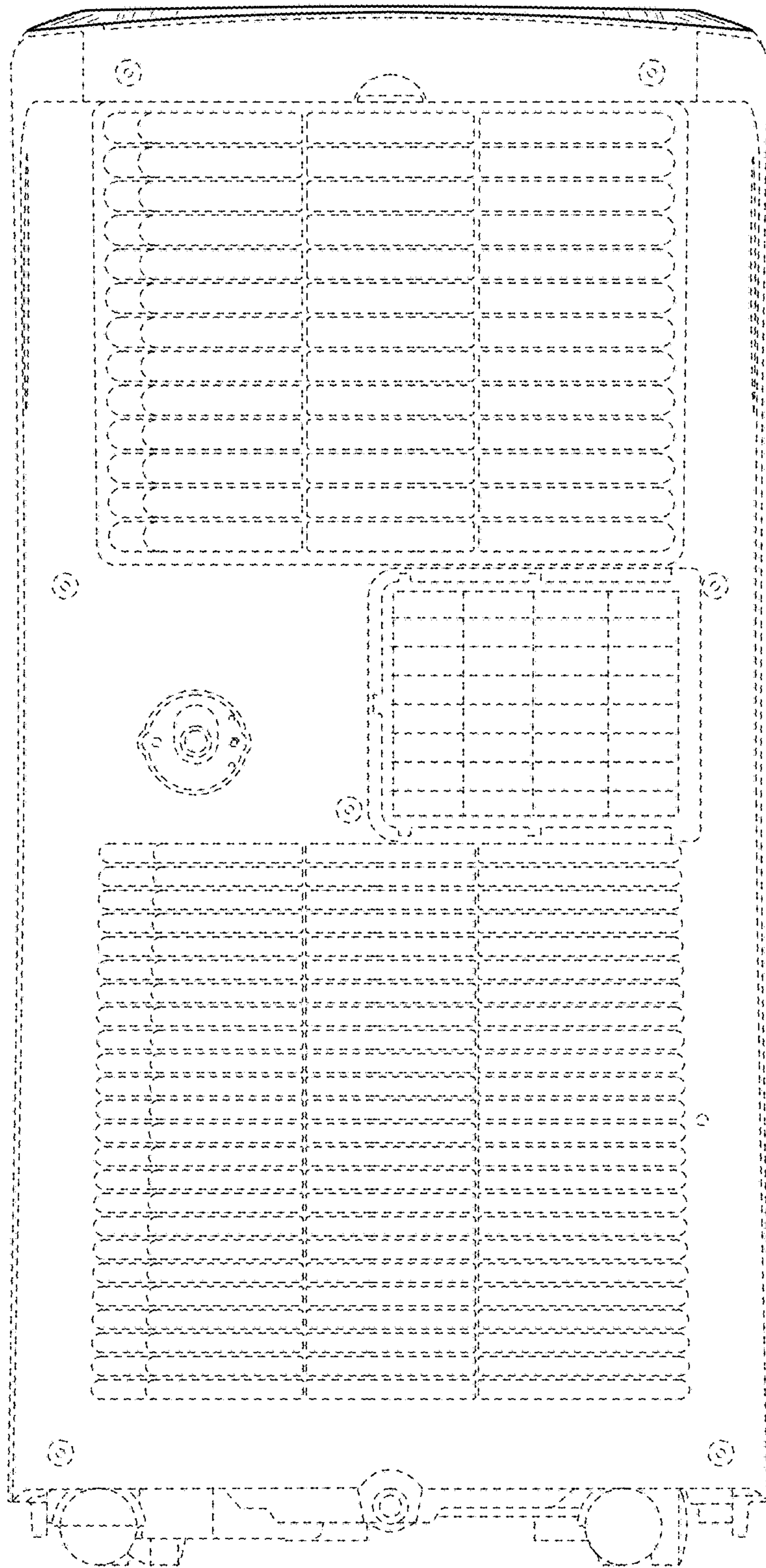


FIG. 3



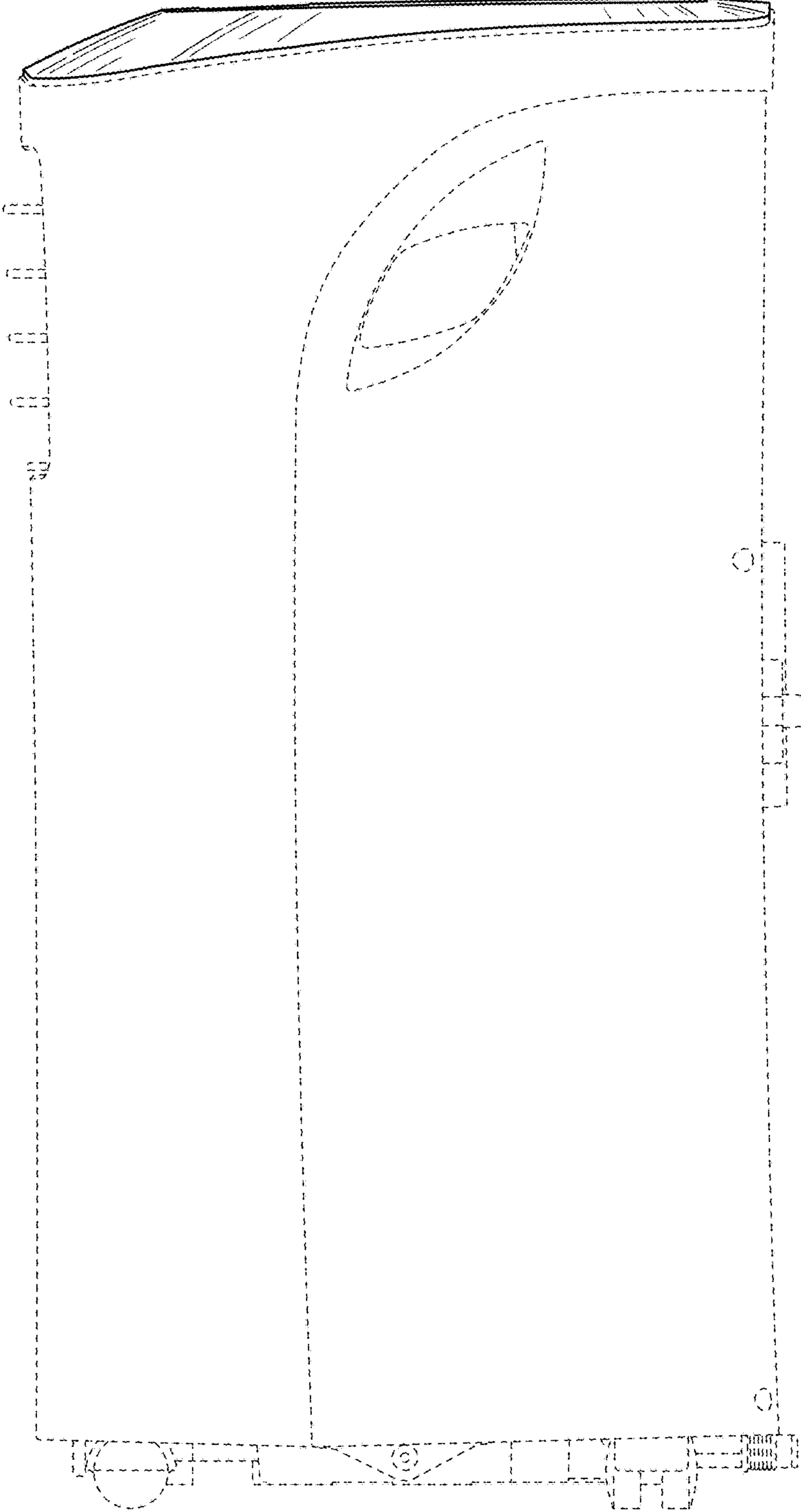


FIG. 4

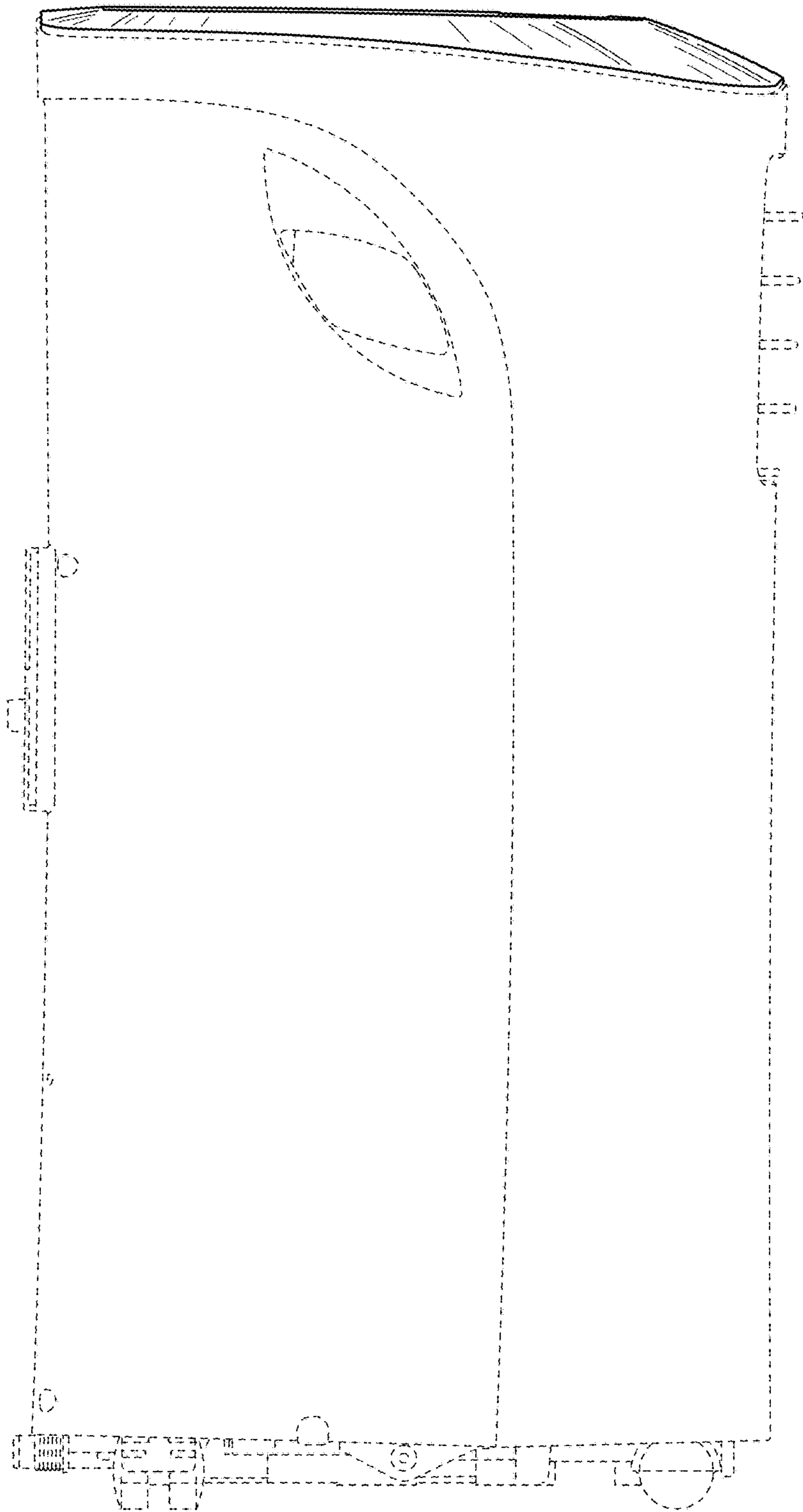


FIG. 5

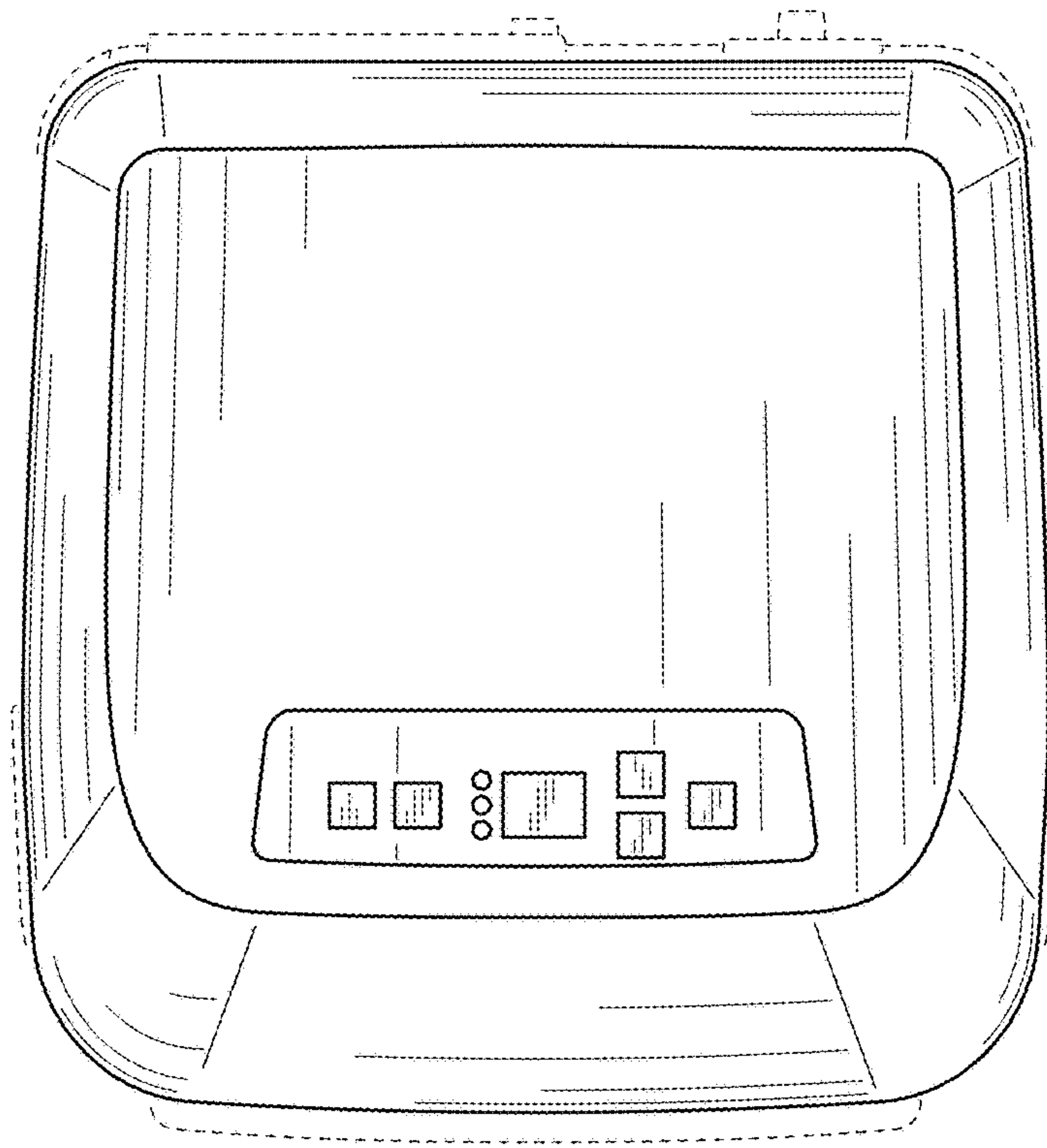


FIG. 6

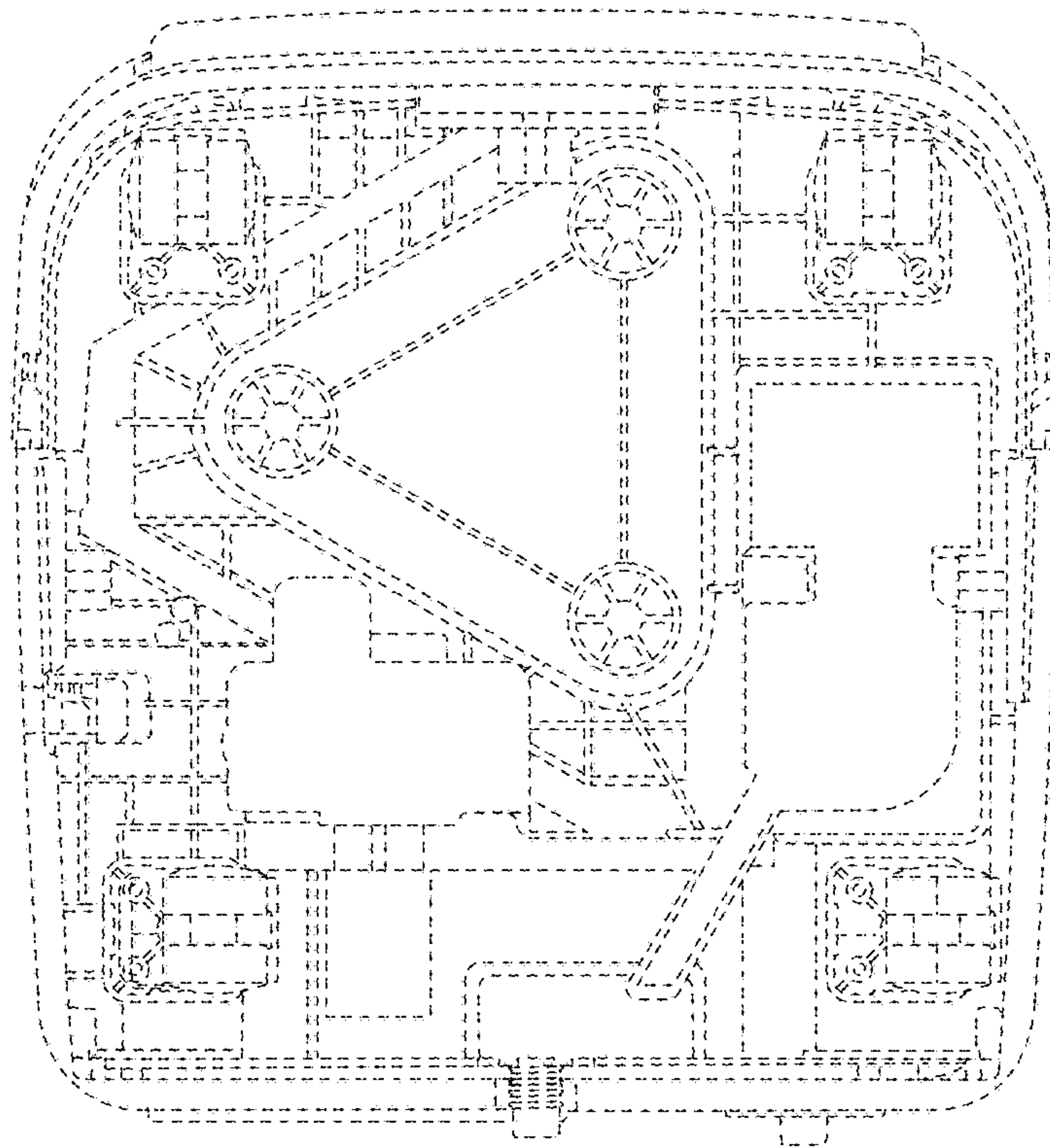


FIG. 7