



US00D779645S

(12) **United States Design Patent**
Michel

(10) **Patent No.:** **US D779,645 S**

(45) **Date of Patent:** **** Feb. 21, 2017**

(54) **AIR CONDITIONER**

(71) Applicant: **Electrolux Home Products, Inc.**,
Charlotte, NC (US)

(72) Inventor: **Kim Michel**, Stockholm (SE)

(73) Assignee: **Electrolux Home Products, Inc.**,
Charlotte, NC (US)

(**) Term: **14 Years**

(21) Appl. No.: **29/514,379**

(22) Filed: **Jan. 12, 2015**

(51) **LOC (10) Cl.** **23-04**

(52) **U.S. Cl.**
USPC **D23/351**

(58) **Field of Classification Search**
USPC D23/333, 335, 341, 342, 351, 353,
D23/354, 355, 356, 359, 364, 365, 370,
D23/385, 386, 388, 393
CPC F24F 1/00; F24F 1/0007; F24F 1/02;
F24F 1/08; F24F 1/42; F24F 1/56; F24F
1/60; F24F 3/044; F24F 3/048; F24F 3/16;
F24F 7/00; F24F 7/04; F24F
12/001; F24F 12/006

See application file for complete search history.

(56) **References Cited**

U.S. PATENT DOCUMENTS

D608,434 S * 1/2010 Niki D23/364
D613,386 S * 4/2010 Niki D23/364

D634,829 S * 3/2011 Niki D23/355
D658,280 S * 4/2012 Niki D23/364
D660,947 S * 5/2012 Varma D23/333
D660,948 S * 5/2012 Varma D23/333
D662,577 S * 6/2012 Nakamura D23/364
D673,665 S * 1/2013 Langford D23/359
D688,739 S * 8/2013 Labat D18/34.5
D724,654 S * 3/2015 Labat D18/34.5
D748,235 S * 1/2016 Yamashita D23/364

* cited by examiner

Primary Examiner — George D. Kirschbaum

Assistant Examiner — Natasha Vujcic

(74) *Attorney, Agent, or Firm* — Banner & Witcoff, Ltd.

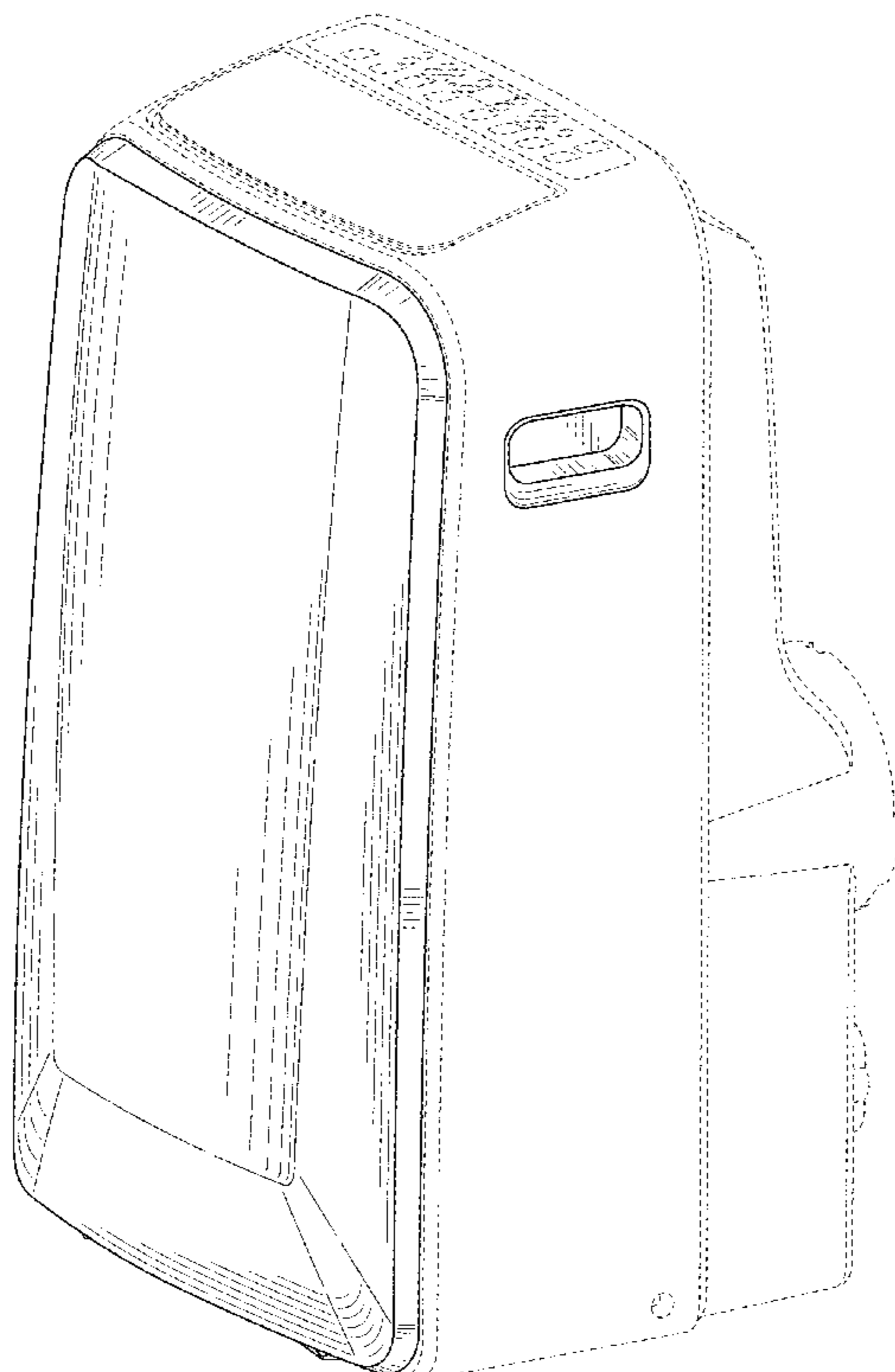
(57) **CLAIM**

The ornamental design for an air conditioner, as shown and described.

DESCRIPTION

FIG. 1 is a front perspective view of an air conditioner showing my new design;
FIG. 2 is a front view thereof;
FIG. 3 is a rear view thereof;
FIG. 4 is a left side view thereof;
FIG. 5 is a right side view thereof;
FIG. 6 is a top view thereof;
FIG. 7 is a bottom view thereof; and,
FIG. 8 is a rear perspective view thereof.
The broken lines in the drawings illustrate portions of the air conditioner which form no part of the claimed design.

1 Claim, 7 Drawing Sheets



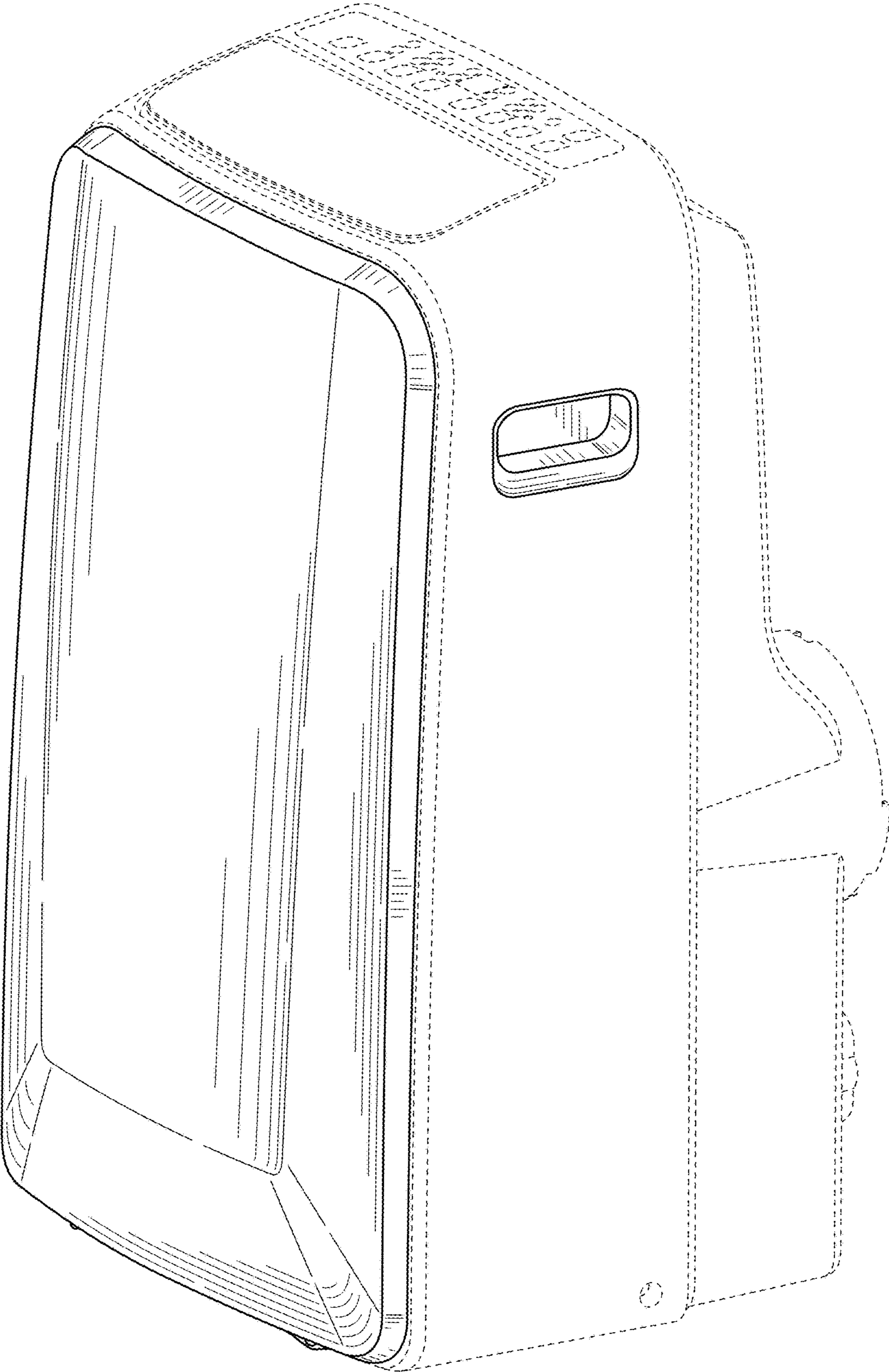


FIG. 1



FIG. 2

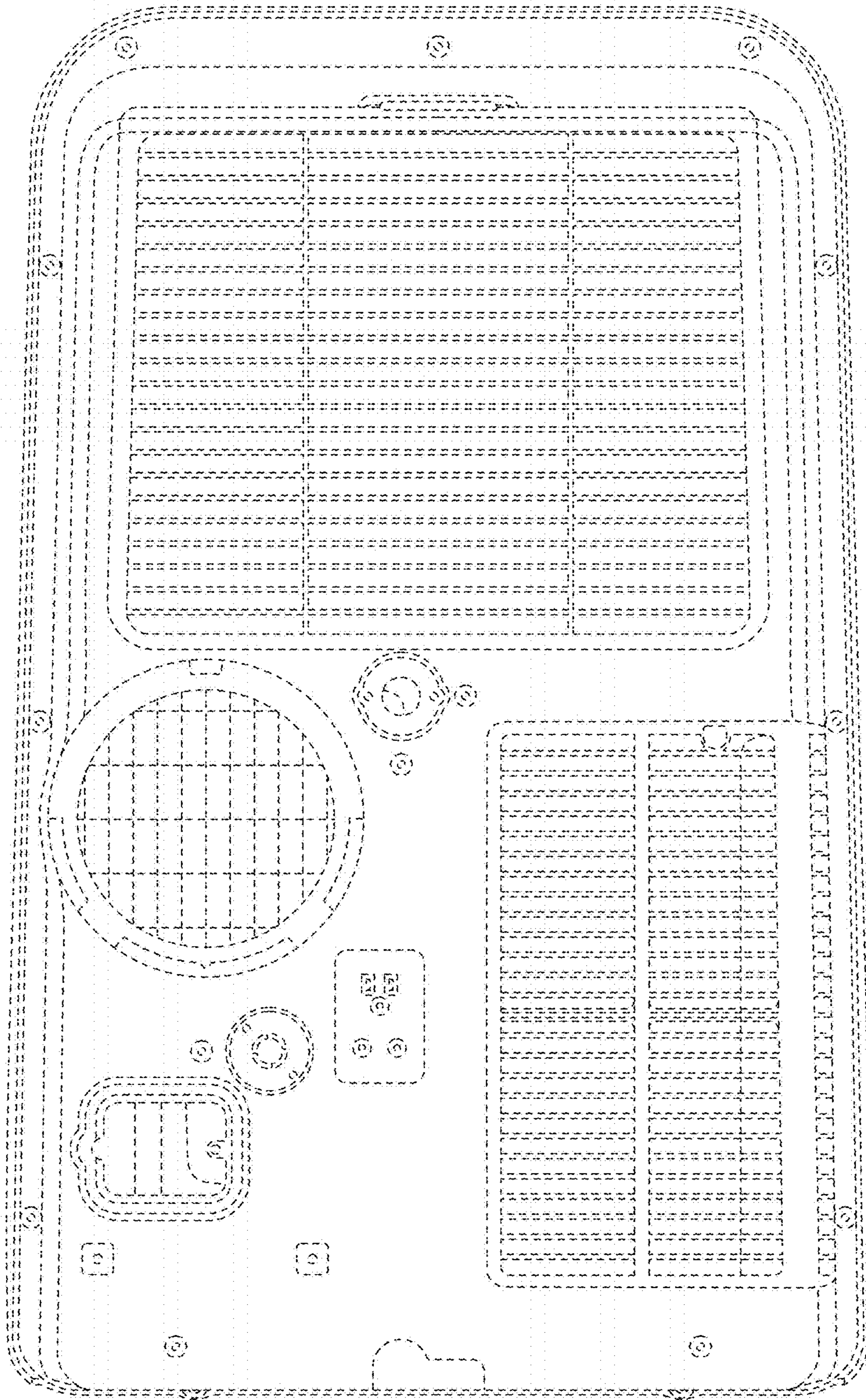


FIG. 3

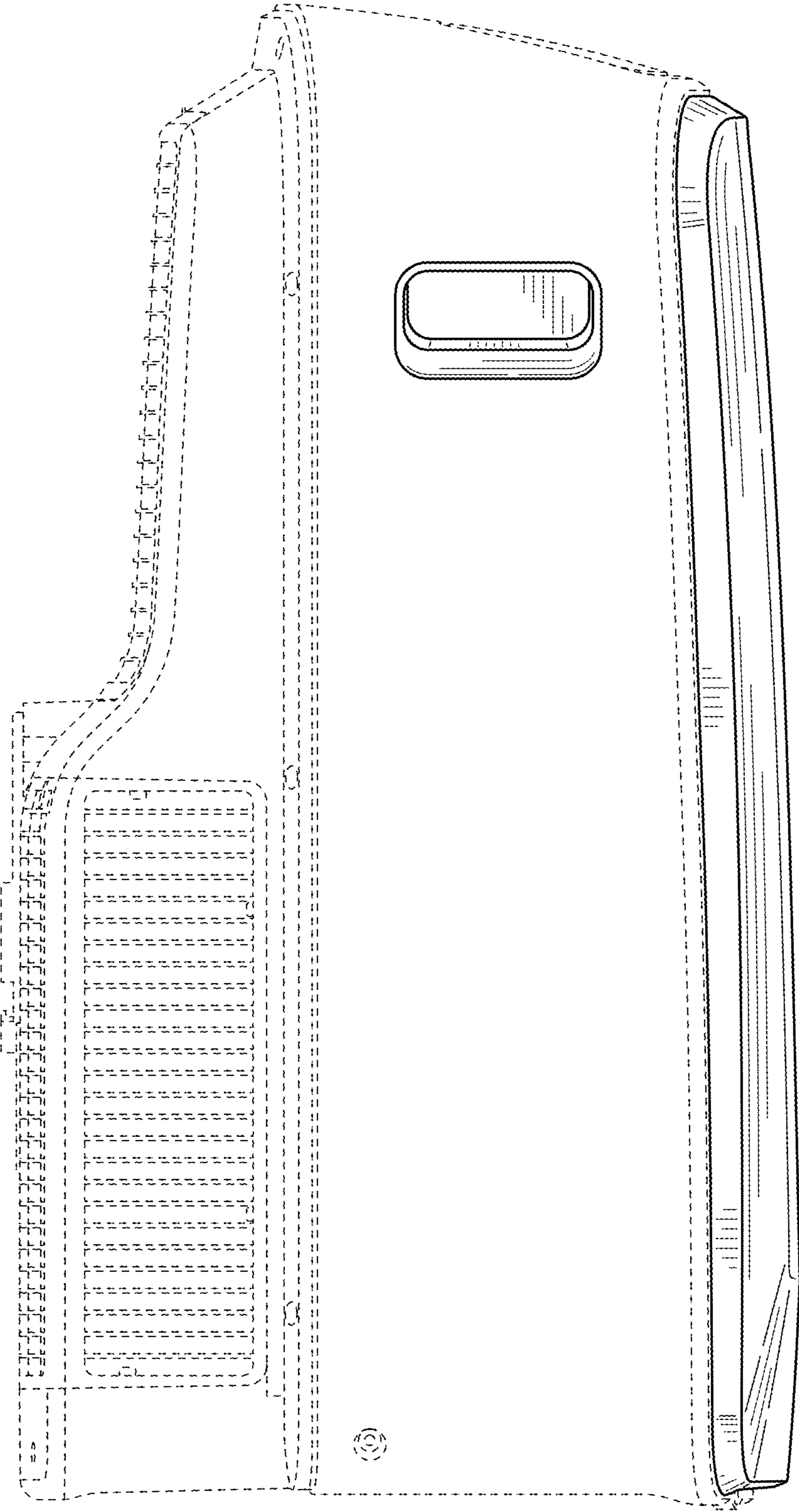


FIG. 4

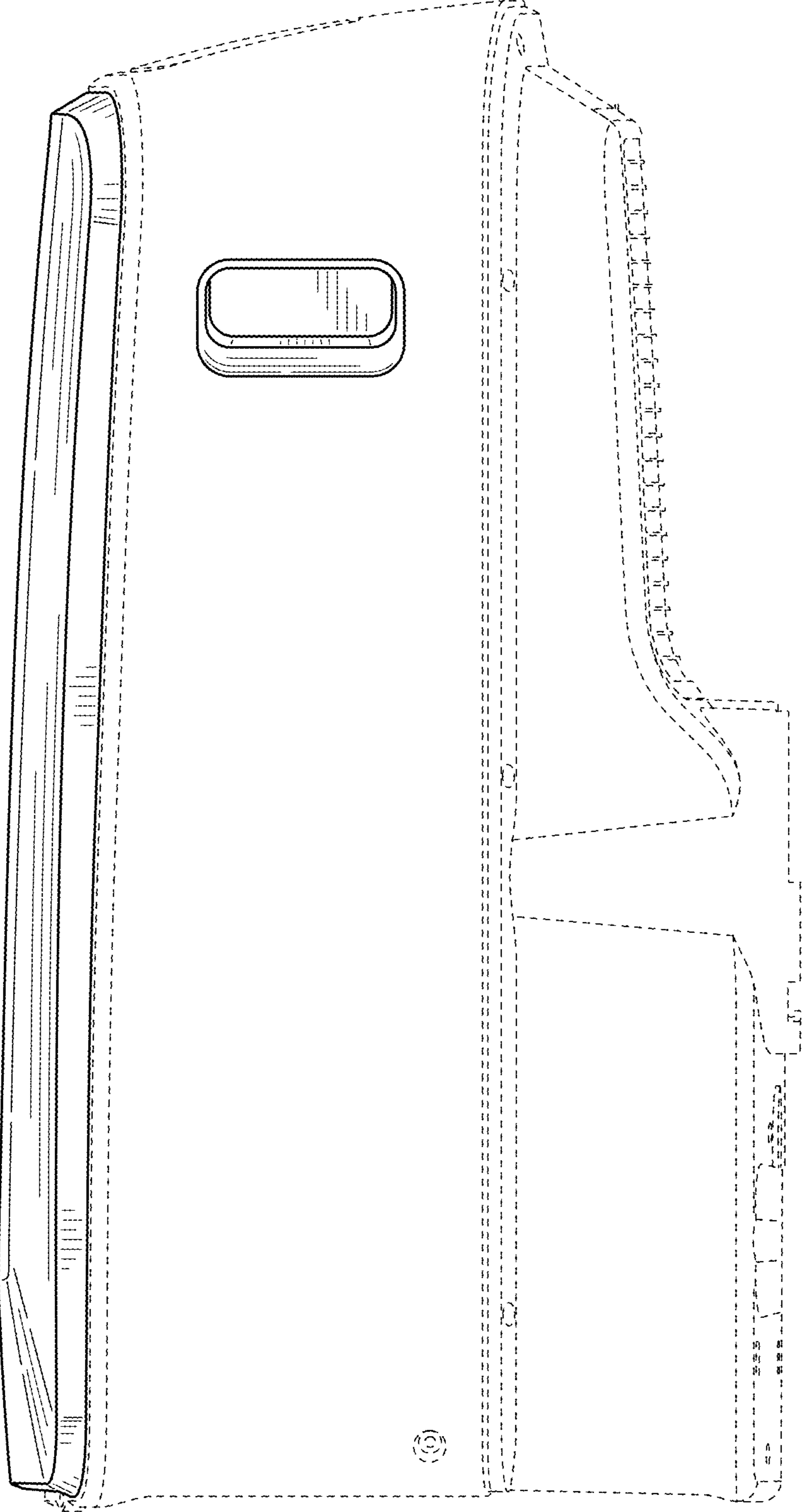


FIG. 5

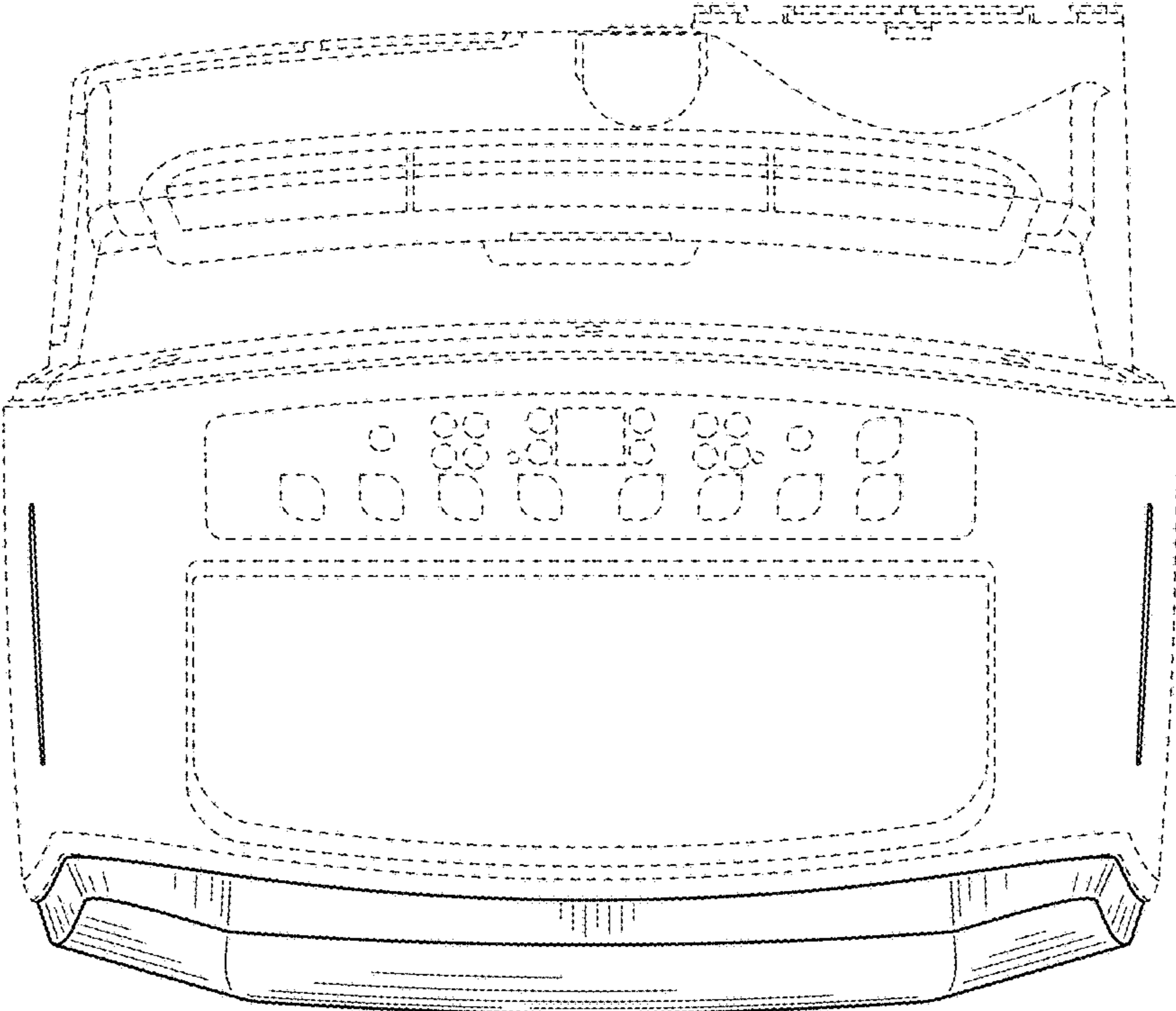


FIG. 6

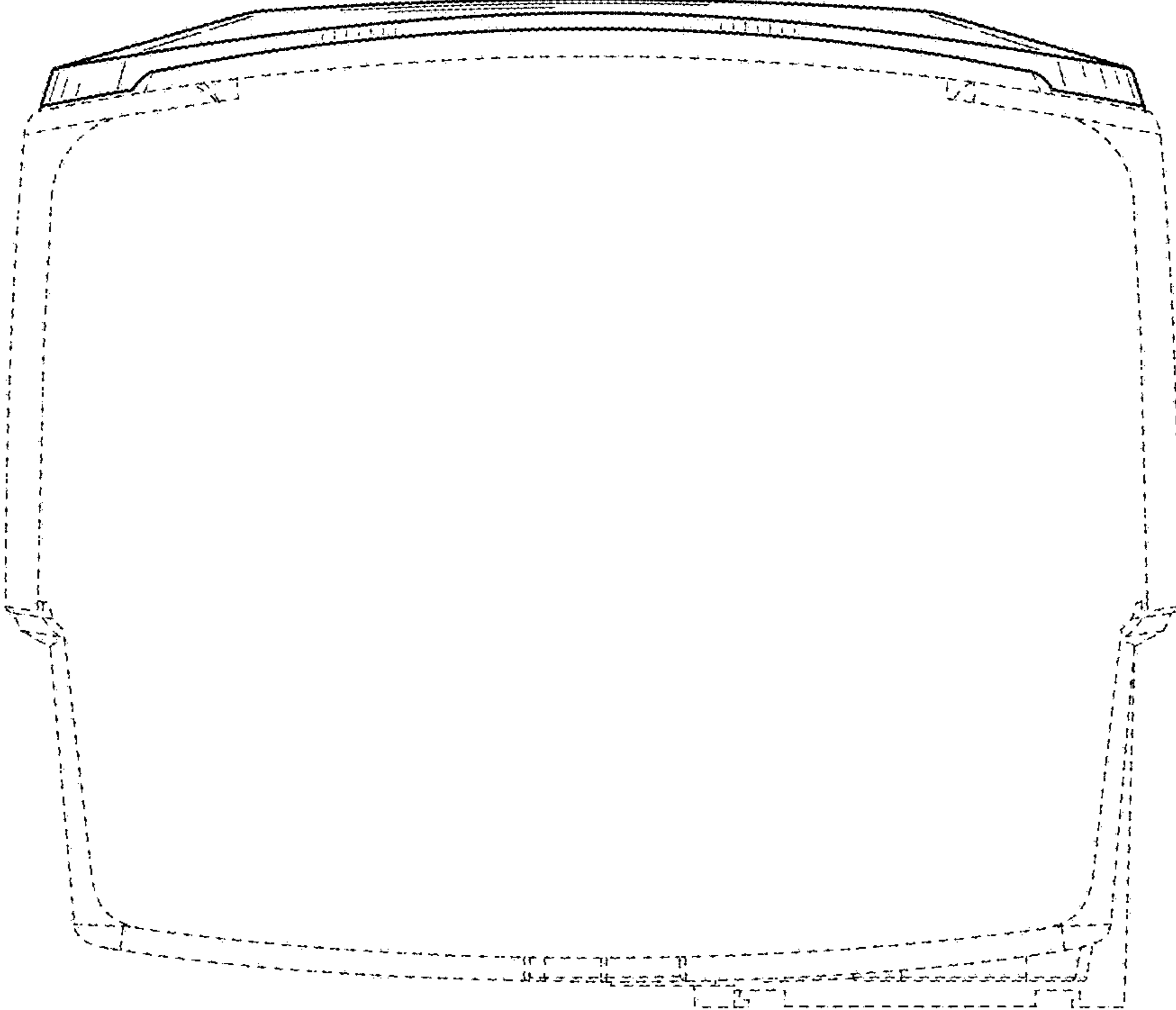


FIG. 7

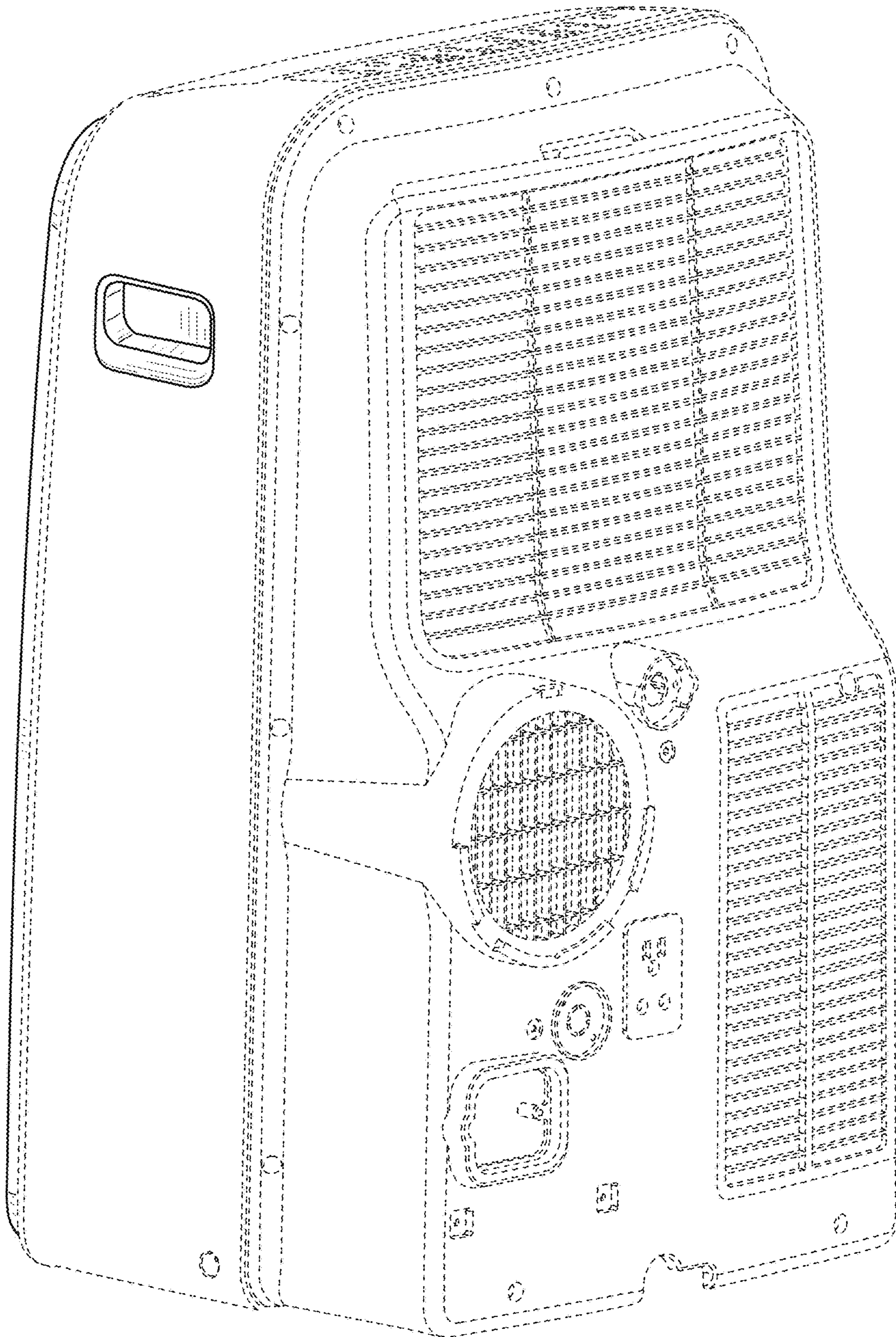


FIG. 8