



US00D779643S

(12) **United States Design Patent** (10) **Patent No.:** **US D779,643 S**  
**Stauffer et al.** (45) **Date of Patent:** **\*\* Feb. 21, 2017**

- (54) **SINK**
- (71) Applicant: **Kohler Co.**, Kohler, WI (US)
- (72) Inventors: **Monty D. Stauffer**, Sheboygan, WI (US); **Nancy L. Yusko**, Sheboygan, WI (US)
- (73) Assignee: **KOHLER CO.**, Kohler, WI (US)
- (\*\*) Term: **15 Years**
- (21) Appl. No.: **29/572,099**
- (22) Filed: **Jul. 25, 2016**

- D588,240 S 3/2009 Hanna
- D588,247 S 3/2009 Hanna et al.
- D601,677 S 10/2009 Hanna et al.
- D601,678 S 10/2009 Soulier
- D635,227 S 3/2011 DuFour
- D635,229 S 3/2011 DuFour
- D645,125 S 9/2011 Palomba
- D652,492 S 1/2012 Slothower et al.

(Continued)

*Primary Examiner* — Robert Delehanty

(74) *Attorney, Agent, or Firm* — Foley & Lardner LLP

(57) **CLAIM**

We claim the ornamental design for a sink, as shown and described.

**DESCRIPTION**

FIG. 1 is a top, front, right perspective view of an embodiment of the claimed design;  
 FIG. 2 is a rear elevation view thereof, the front elevation view being a mirror image thereof;  
 FIG. 3 is a left side elevation view thereof, the right side elevation view being a mirror image thereof;  
 FIG. 4 is a top plan view thereof;  
 FIG. 5 is a bottom plan view thereof;  
 FIG. 6 is a cross-sectional view taken along Line 6-6 in FIG. 4;  
 FIG. 7 is a cross-sectional view taken along Line 7-7 in FIG. 4; and,  
 FIG. 8 is a cross-sectional view taken along Line 8-8 in FIG. 4.

The ornamental design which is claimed is shown in solid lines in the drawings. The broken lines in the drawings form no part of the claimed design. Broken lines formed by equal length dashes show unclaimed subject matter. Broken lines formed of unequal length dashes (i.e., dash-dot) define bounds of the claimed design. Broken away symbols having a jagged element show that no particular length of the portion is claimed.

**1 Claim, 6 Drawing Sheets**

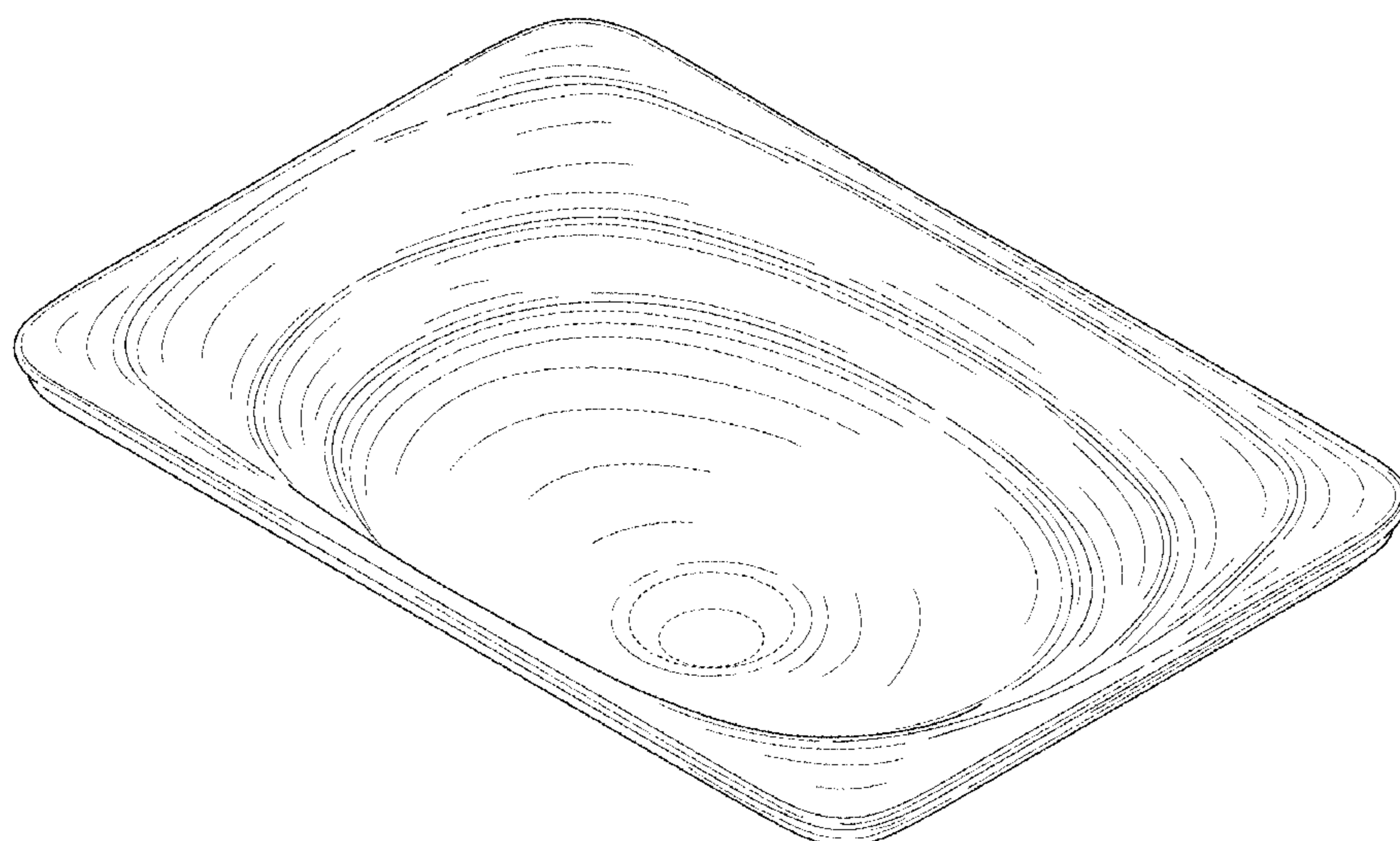
**Related U.S. Application Data**

- (62) Division of application No. 29/513,051, filed on Dec. 24, 2014, now Pat. No. Des. 764,642.
- (51) **LOC (10) Cl.** ..... **23-02**
- (52) **U.S. Cl.**  
USPC ..... **D23/284**
- (58) **Field of Classification Search**  
USPC .... D23/271–274, 284, 286, 291–293.1, 303, D23/308  
CPC ..... E03C 1/00; E03C 1/01; E03C 1/02; E03C 1/12; E03C 1/18  
See application file for complete search history.

(56) **References Cited**

**U.S. PATENT DOCUMENTS**

- D299,166 S 12/1988 Reid
- D537,921 S 3/2007 Kirar
- D538,411 S 3/2007 Bates et al.
- D540,441 S 4/2007 Bates
- D560,775 S 1/2008 Hanna
- D560,776 S 1/2008 Hanna
- D560,777 S 1/2008 Hanna
- D560,778 S 1/2008 Paterson
- D560,780 S 1/2008 Hanna
- D560,781 S 1/2008 Paterson



(56)

**References Cited**

U.S. PATENT DOCUMENTS

D656,593 S	3/2012	Stauffer
D663,017 S	7/2012	Slothower et al.
D663,390 S	7/2012	Stauffer
D678,991 S	3/2013	Stauffer
D687,529 S	8/2013	Stauffer
D697,187 S	1/2014	Spangler
D697,595 S	1/2014	Spangler
D722,143 S	2/2015	Clarke et al.
D722,369 S	2/2015	LeTourneau
D724,710 S	3/2015	Clarke

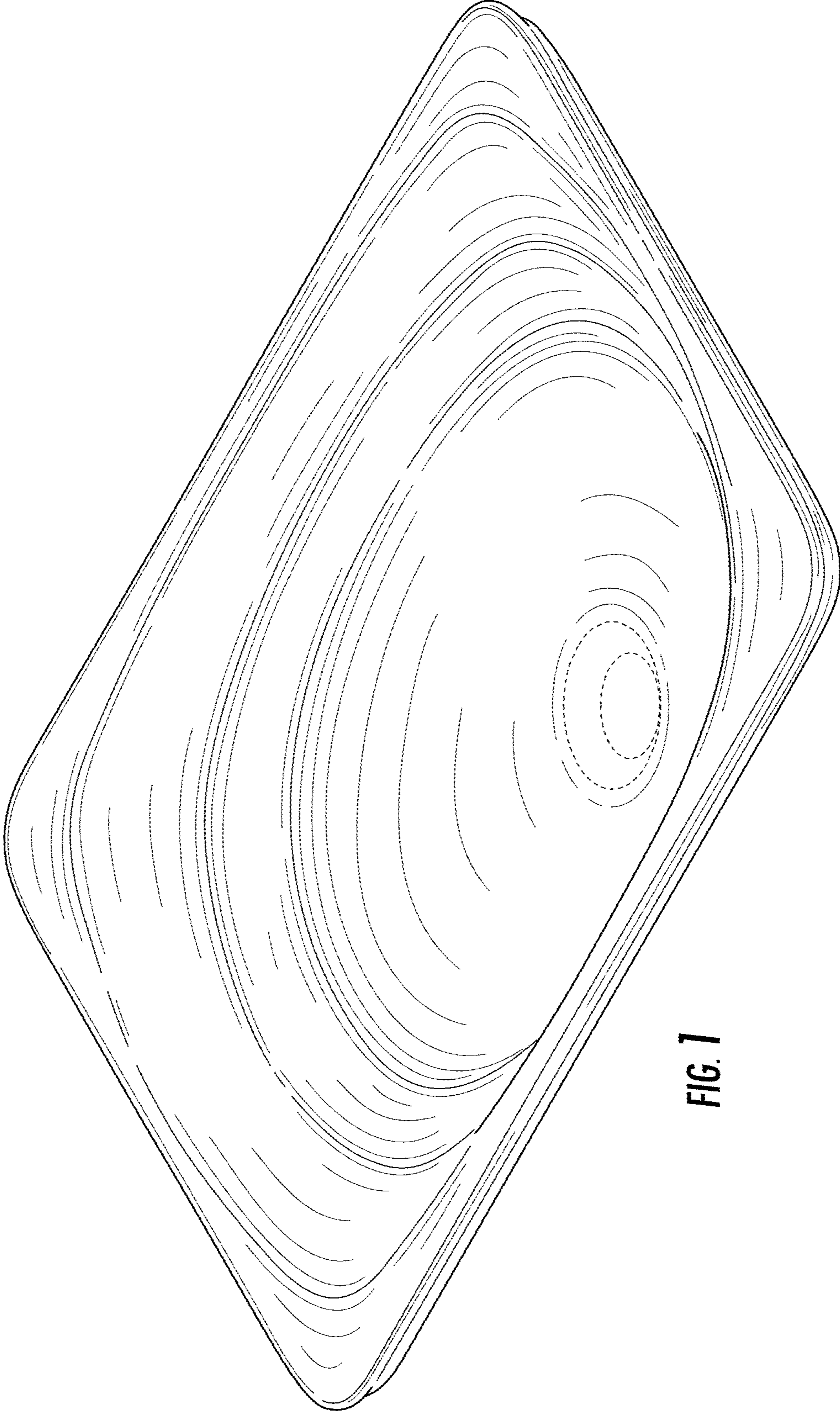


FIG. 1

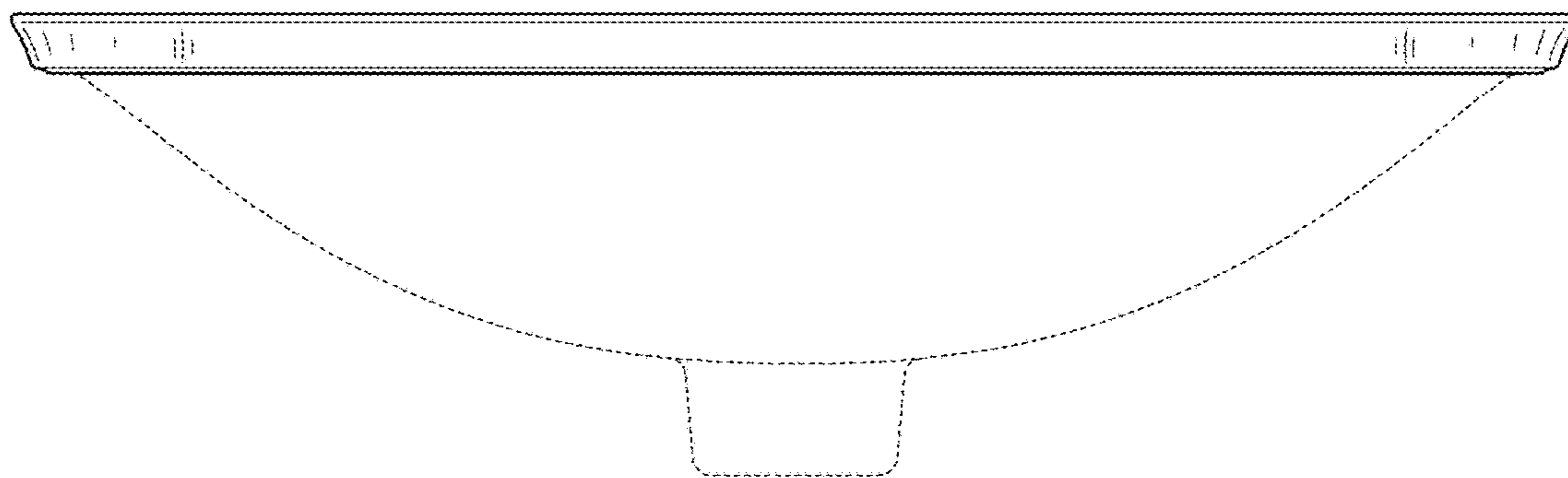


FIG. 2

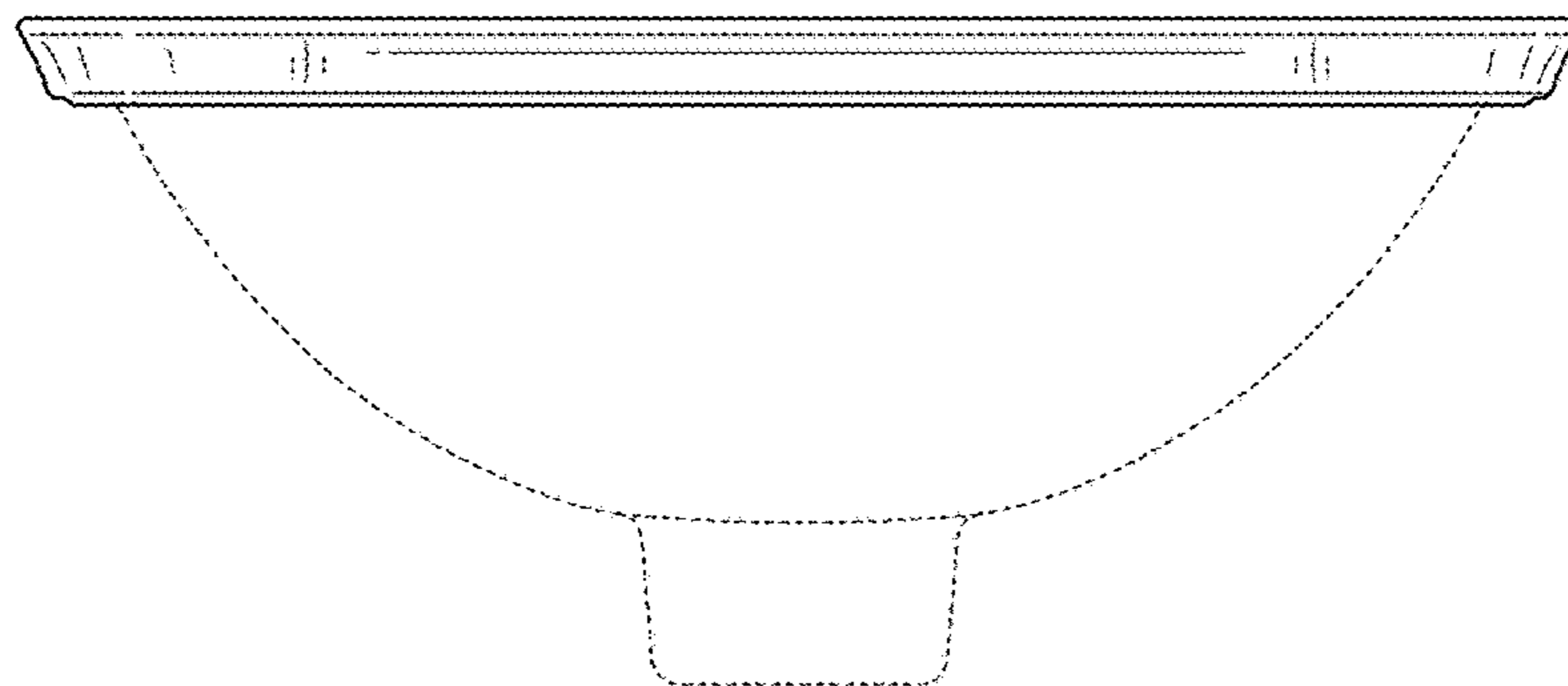


FIG. 3

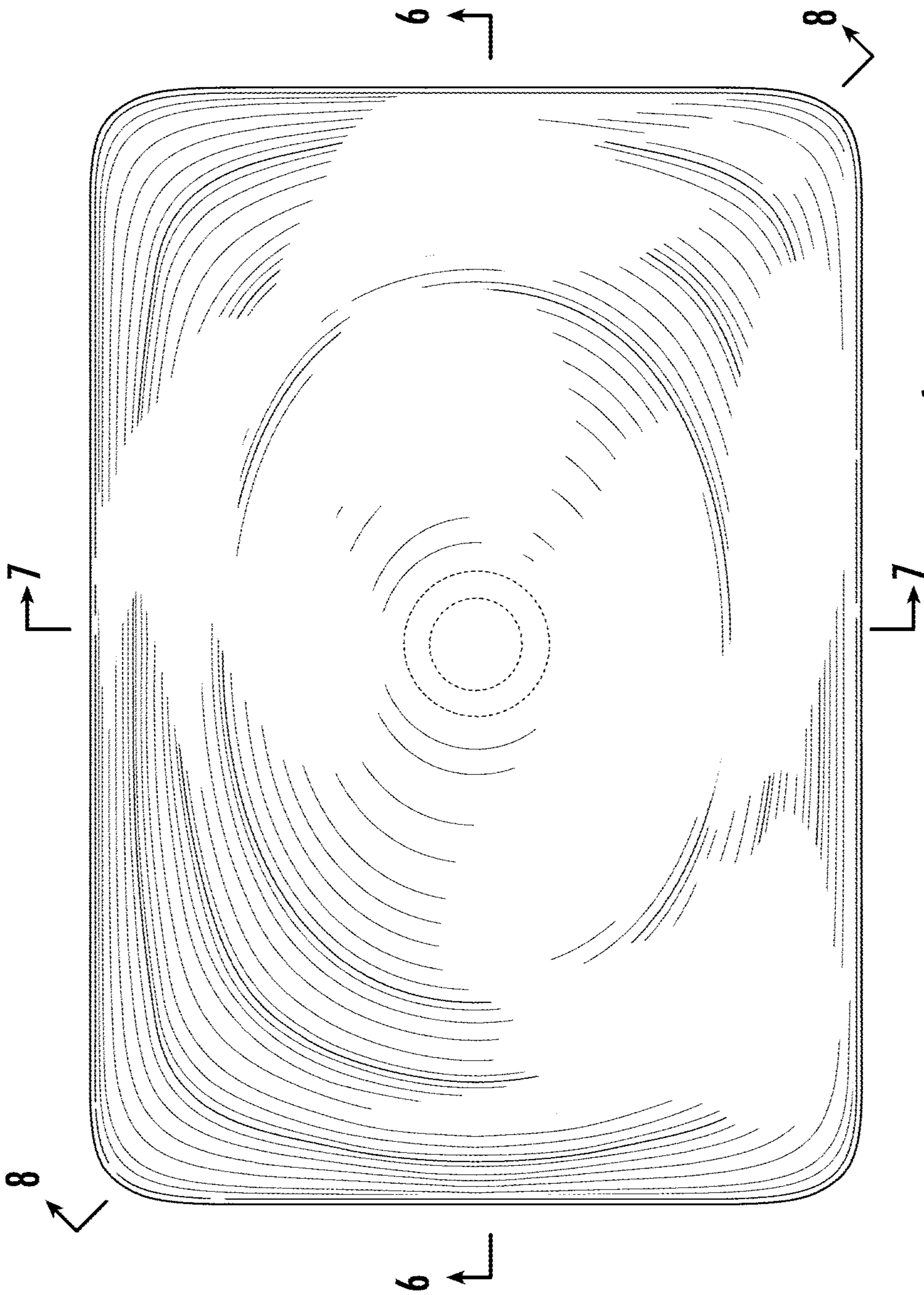


FIG. 4

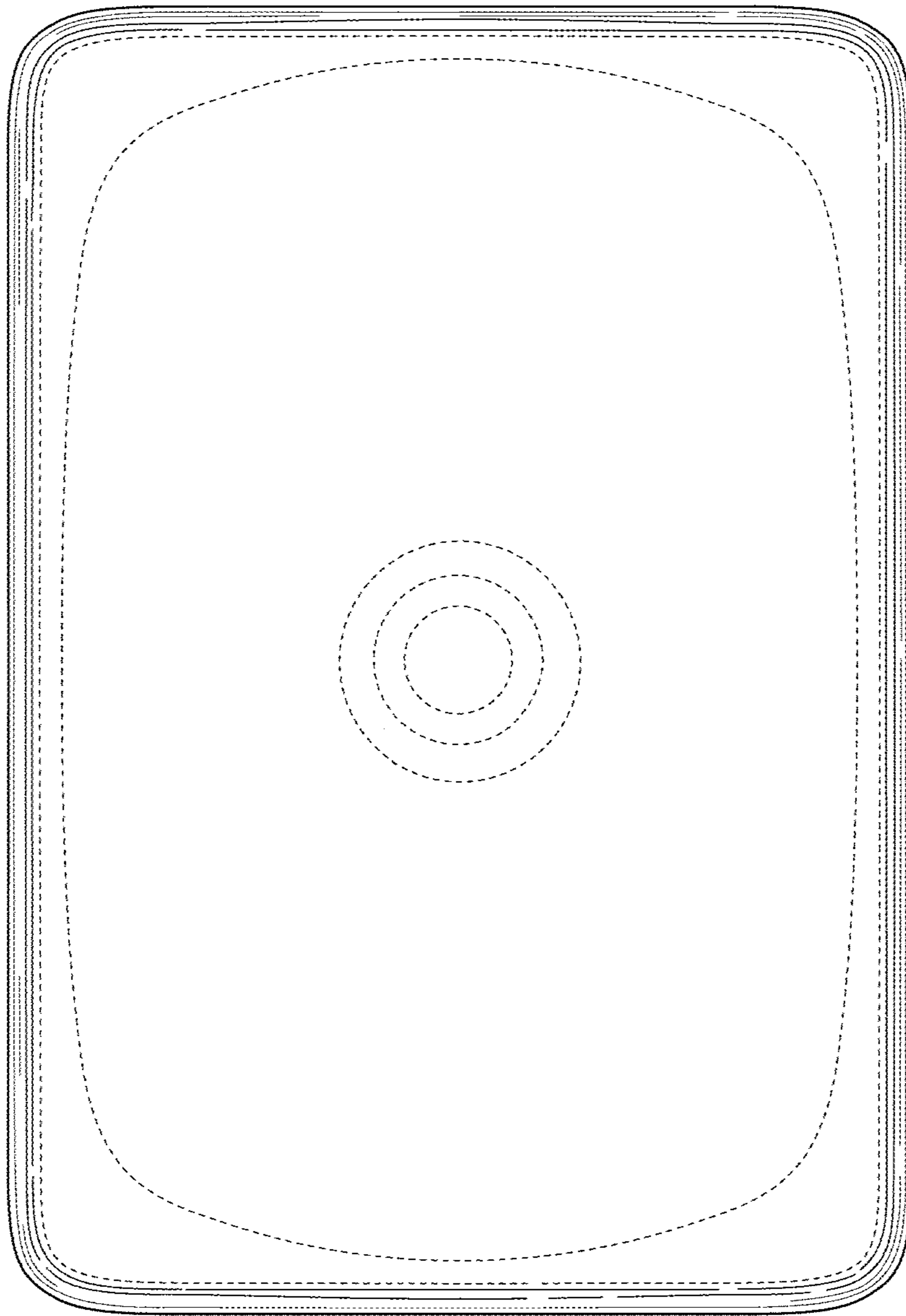


FIG. 5

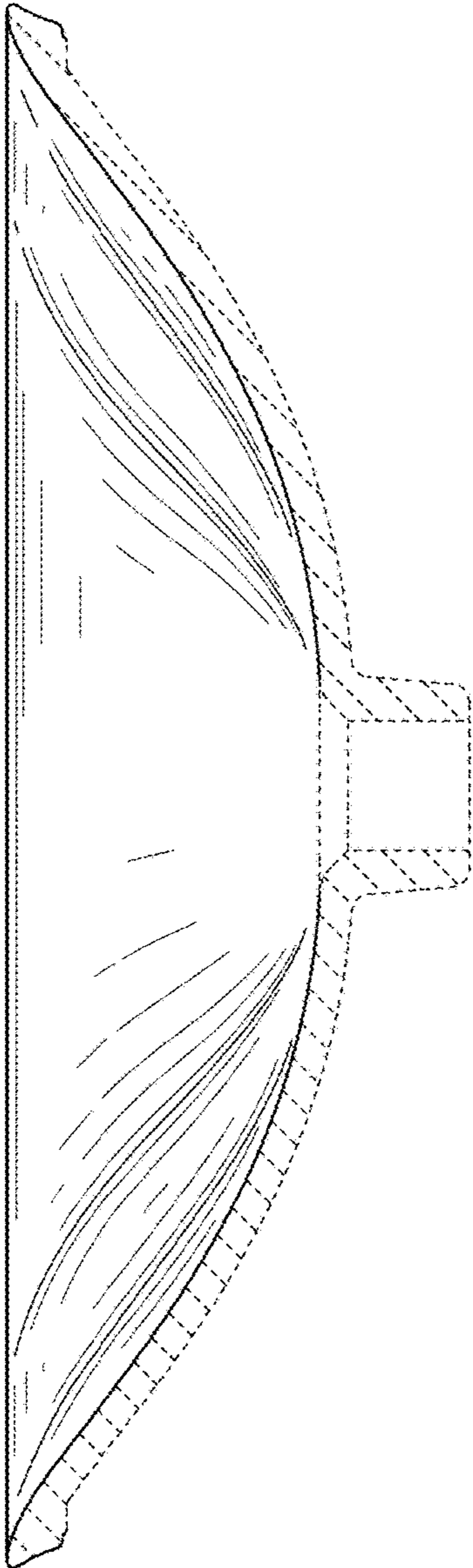


FIG. 6

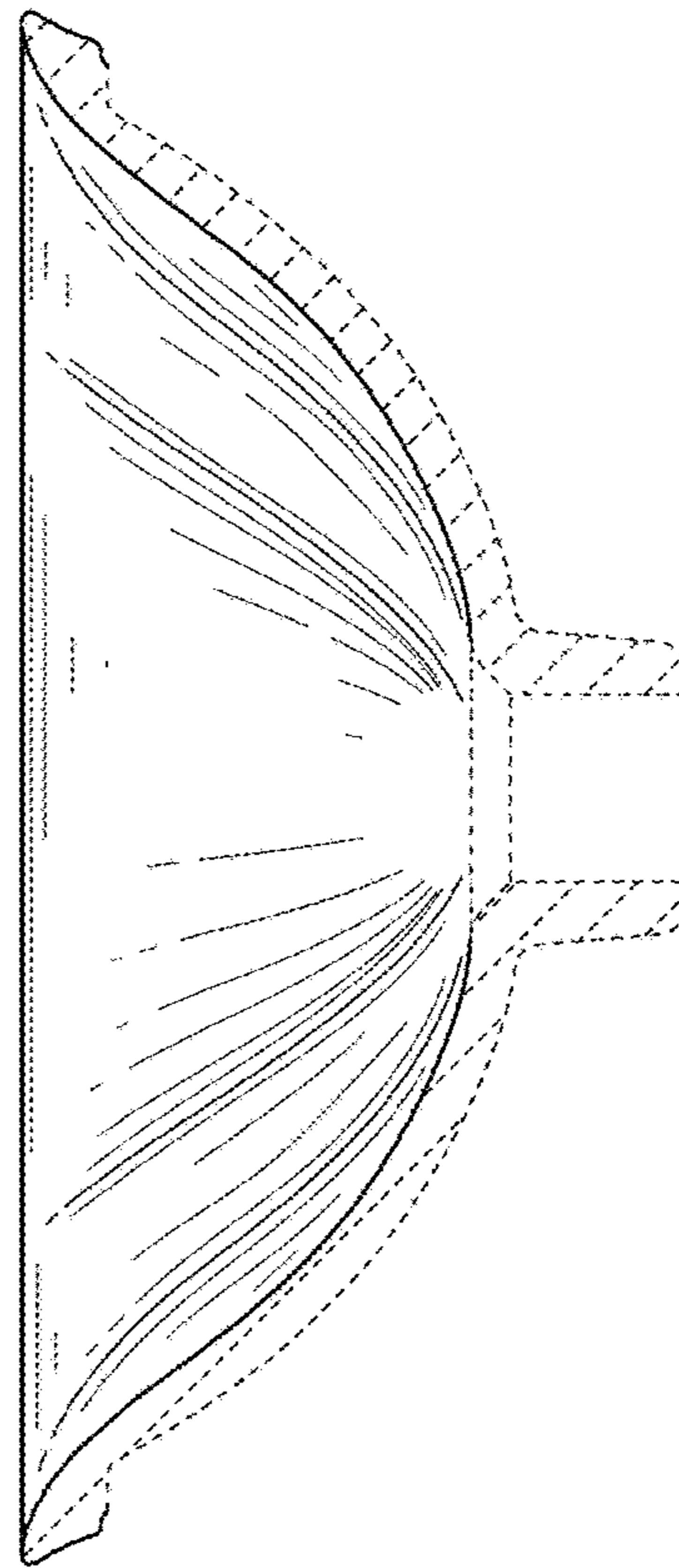


FIG. 7

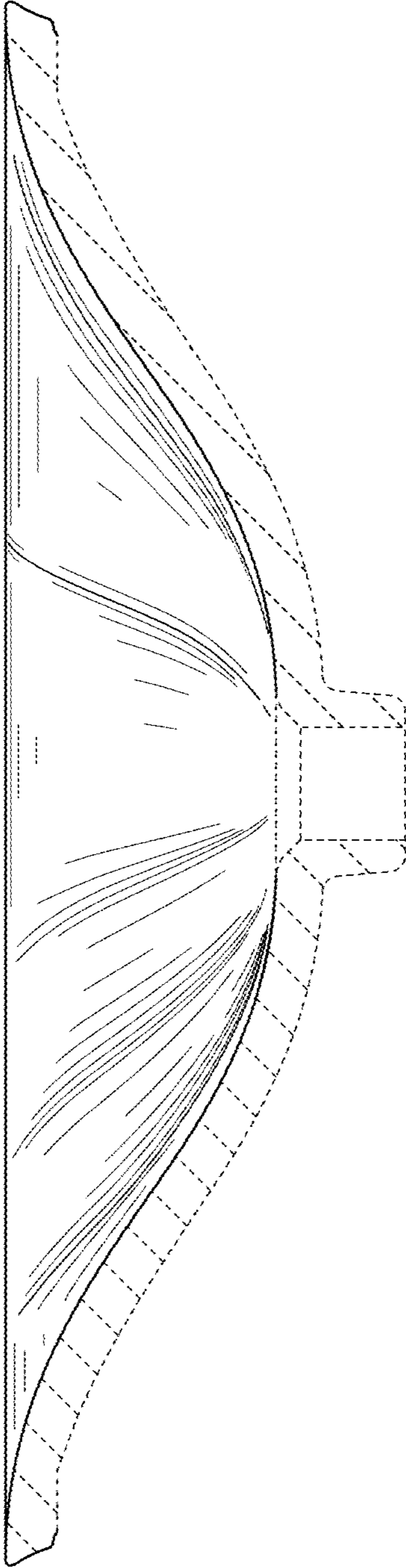


FIG. 8