



US00D779642S

(12) **United States Design Patent** (10) **Patent No.:** **US D779,642 S**
Tesh (45) **Date of Patent:** **** Feb. 21, 2017**

- (54) **CURB FLUME**
- (71) Applicant: **William A. Tesh**, Summerfield, NC (US)
- (72) Inventor: **William A. Tesh**, Summerfield, NC (US)
- (**) Term: **15 Years**
- (21) Appl. No.: **29/545,988**
- (22) Filed: **Nov. 18, 2015**
- (51) **LOC (10) Cl.** **23-01**
- (52) **U.S. Cl.**
USPC **D23/267**
- (58) **Field of Classification Search**
USPC D23/259, 261, 262, 267, 268
CPC .. E04D 13/064; E04D 13/076; E04D 13/0722;
E04D 13/0725; E04D 13/04; E04D 13/08;
E04D 2013/0833; E04D 2013/082; E04D
2013/086; E04D 2013/0866; E03F 5/046
See application file for complete search history.

(56) **References Cited**

U.S. PATENT DOCUMENTS

2,537,654	A *	1/1951	Curnutte	E01C 11/224	404/4
D234,596	S *	3/1975	Sixt	D23/262	
D267,357	S *	12/1982	Hillstrom	294/176	
D421,644	S *	3/2000	Andersen	D23/263	
D428,121	S *	7/2000	Missick	D23/261	
D434,123	S *	11/2000	Missick	D23/261	
D447,543	S *	9/2001	Quin	D23/259	
D447,544	S *	9/2001	Quin	D23/259	
D469,519	S *	1/2003	Garza, Jr.	D23/259	
D589,599	S *	3/2009	Castrillo	D23/267	
D604,811	S *	11/2009	Barton	D23/267	
7,891,907	B2 *	2/2011	Smith	E03F 5/0401	405/36

D673,690	S *	1/2013	Akkala	D25/36	
D682,444	S *	5/2013	Akkala	D25/36	
D682,445	S *	5/2013	Akkala	D25/36	
D687,970	S *	8/2013	Akkala	D25/36	
D687,971	S *	8/2013	Akkala	D25/36	
8,864,180	B2 *	10/2014	Harman	E04D 13/08	285/146.1
D722,366	S *	2/2015	Beaudoin	D23/261	
D726,290	S *	4/2015	Maurer	D23/267	
D732,147	S *	6/2015	French	D23/267	
D745,115	S *	12/2015	Kuang	D23/261	
D752,190	S *	3/2016	DeNooy	D23/267	
D761,397	S *	7/2016	DeNooy	D23/262	
2005/0207839	A1 *	9/2005	Tremouilhac	E03F 5/046	404/5

* cited by examiner

Primary Examiner — Eric Goodman
Assistant Examiner — Amy Wierenga
(74) *Attorney, Agent, or Firm* — Tuggle Duggins P.A.;
Blake Hurt

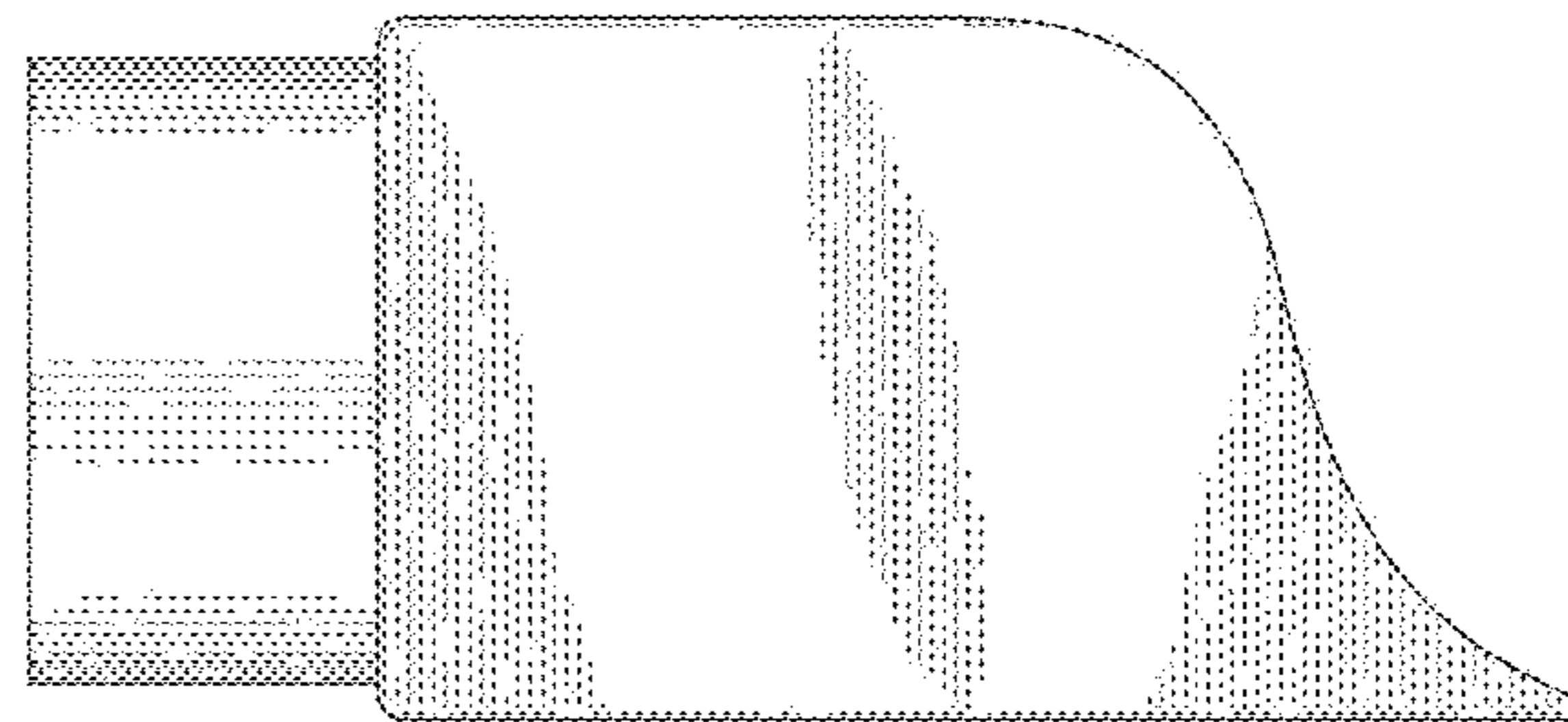
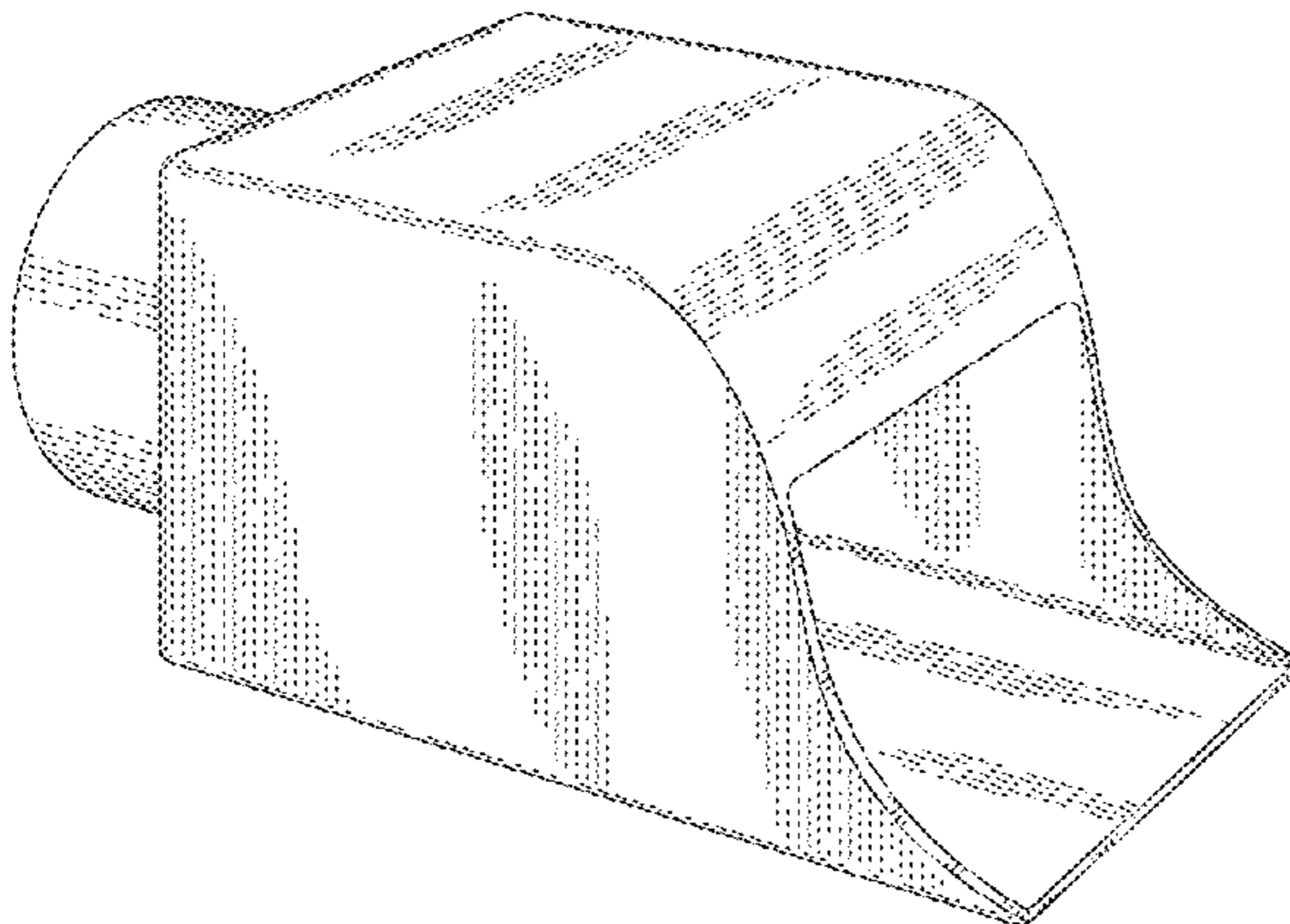
(57) **CLAIM**

The ornamental design for a curb flume, as shown and described.

DESCRIPTION

FIG. 1 is a top, front, left side perspective view of a curb flume showing my new design;
FIG. 2 is a left side elevational view thereof, the right side elevational view being a mirror image thereof;
FIG. 3 is a front elevational view thereof;
FIG. 4 is a rear elevational view thereof;
FIG. 5 is a top plan view thereof; and,
FIG. 6 is a bottom plan view thereof.
The dashed broken lines depict portions of the article that form no part of the claim.

1 Claim, 6 Drawing Sheets



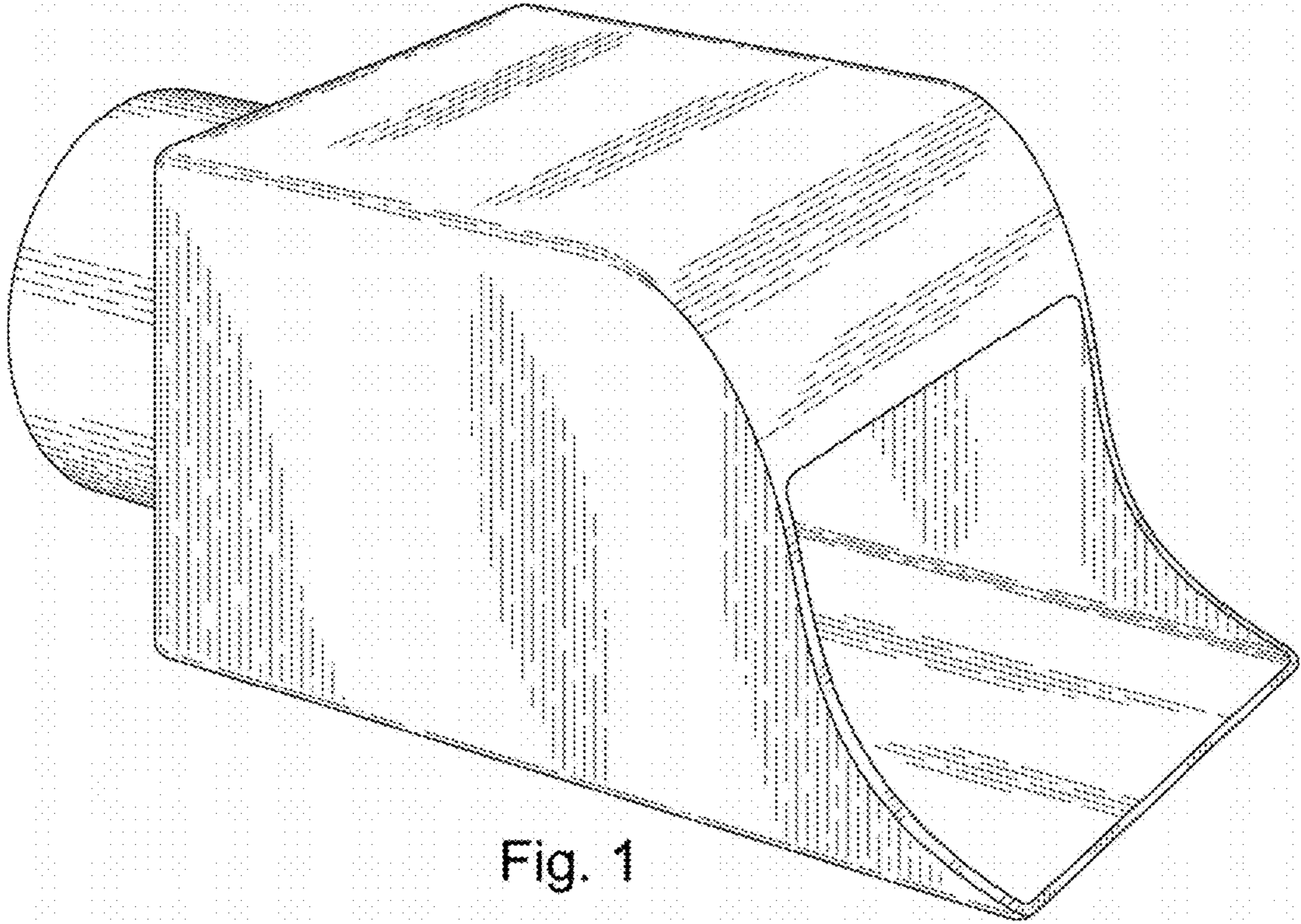


Fig. 1

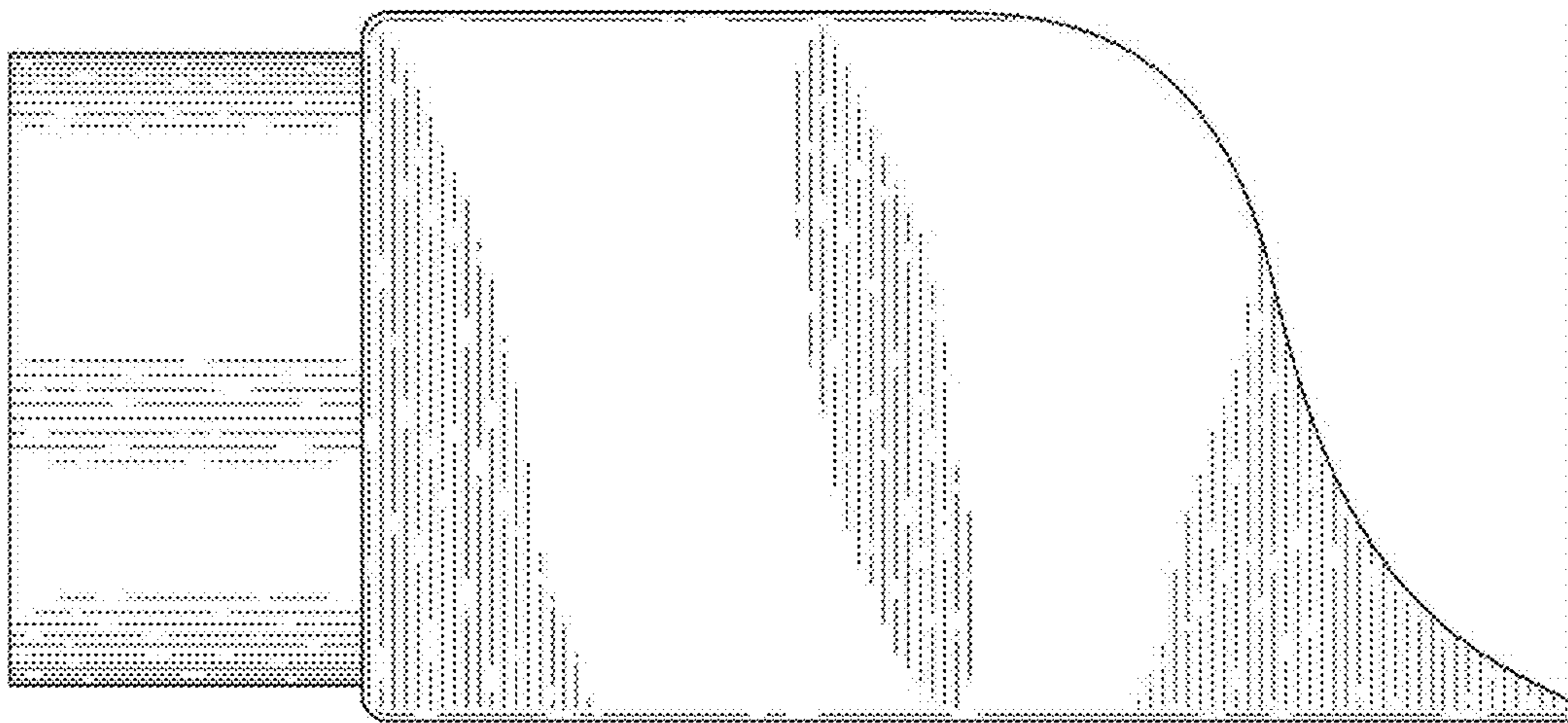


Fig. 2

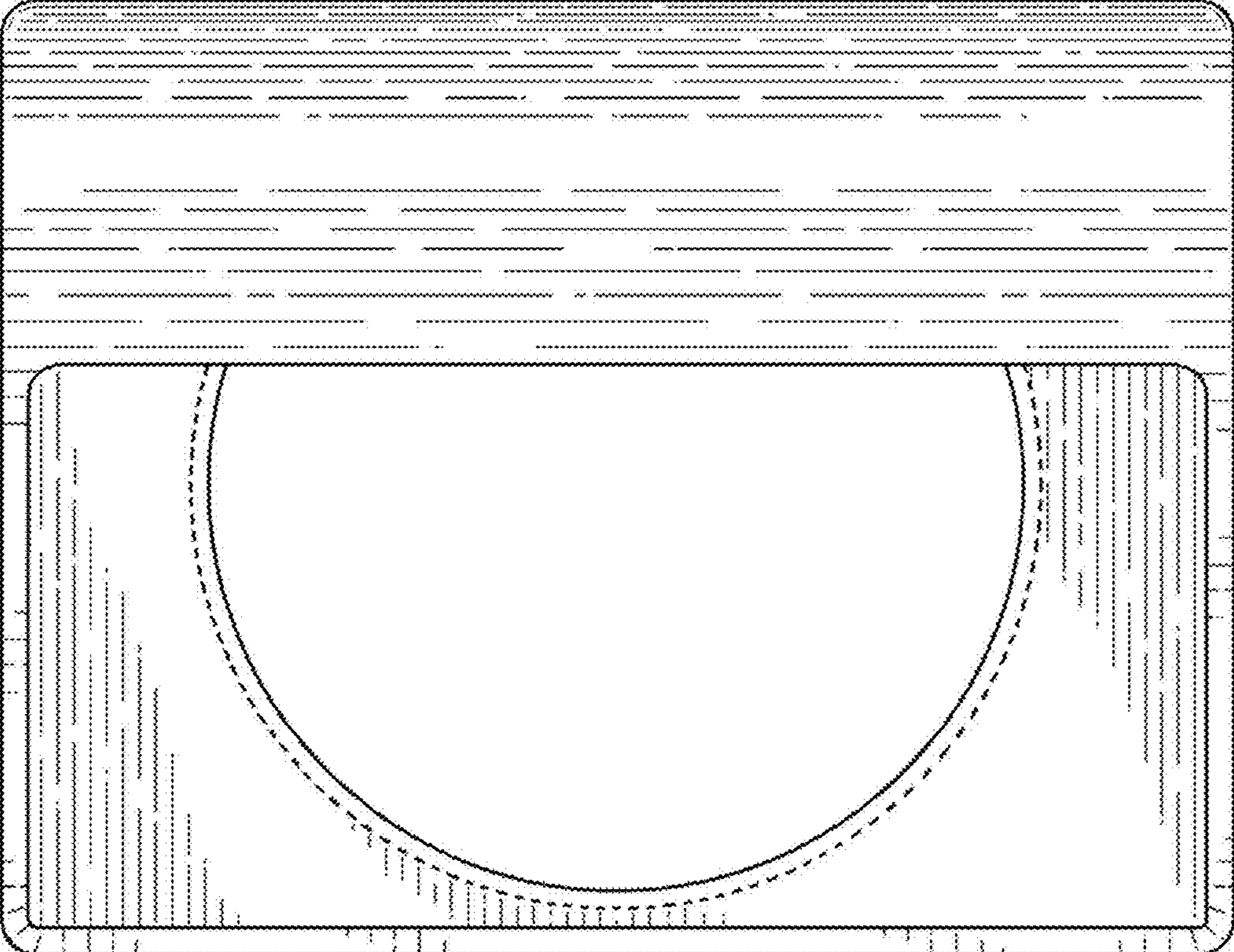


Fig. 3

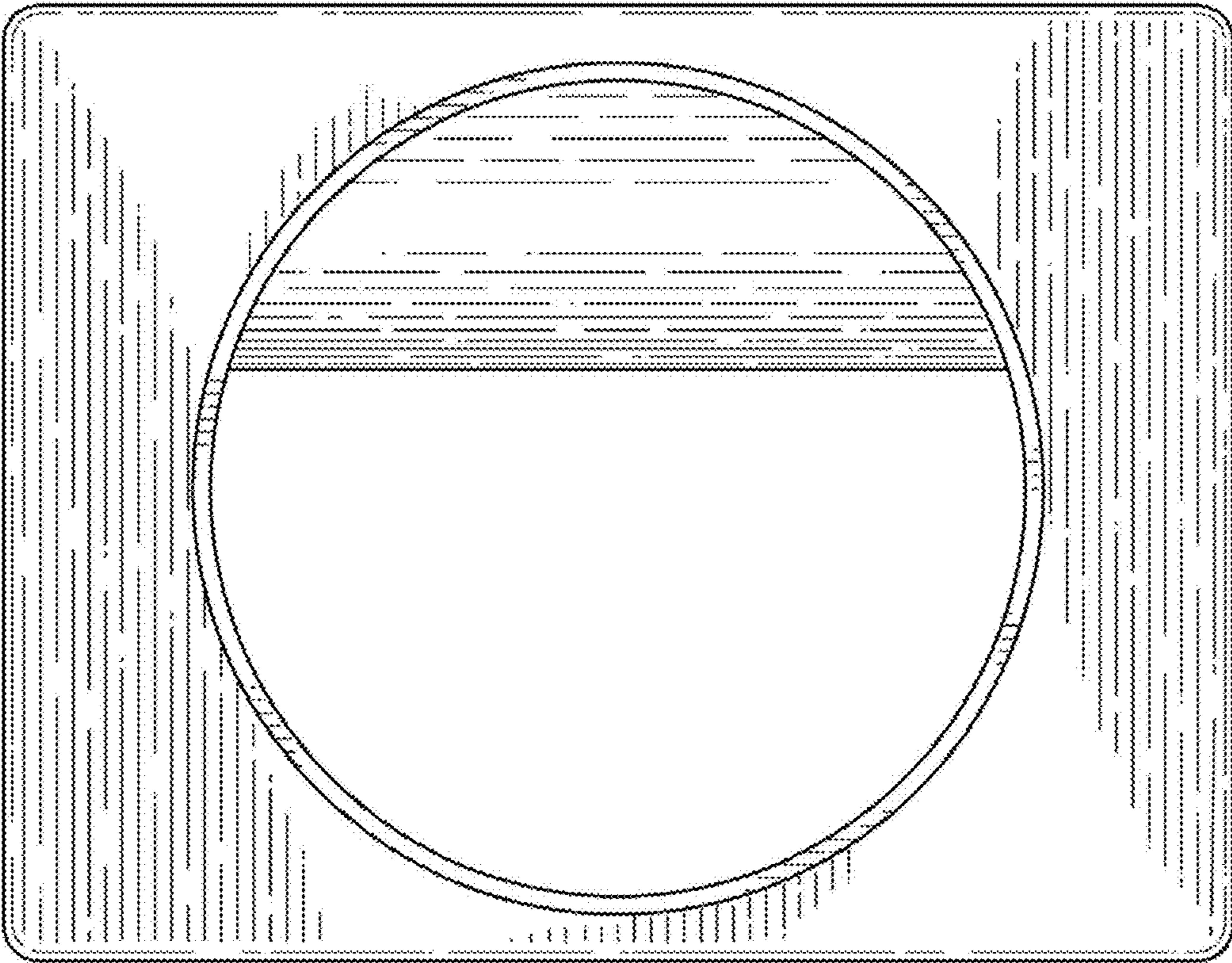


Fig. 4

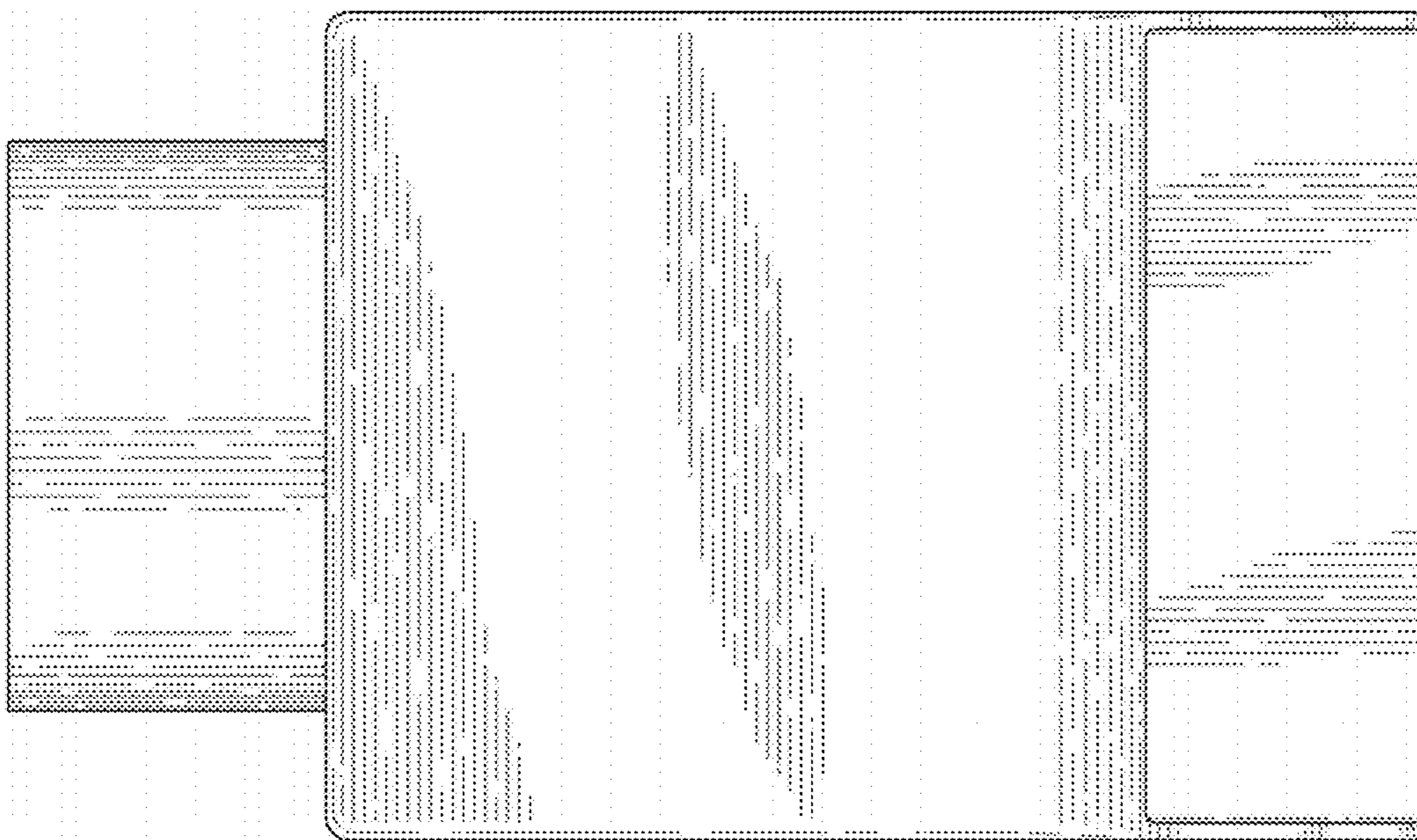


Fig. 5

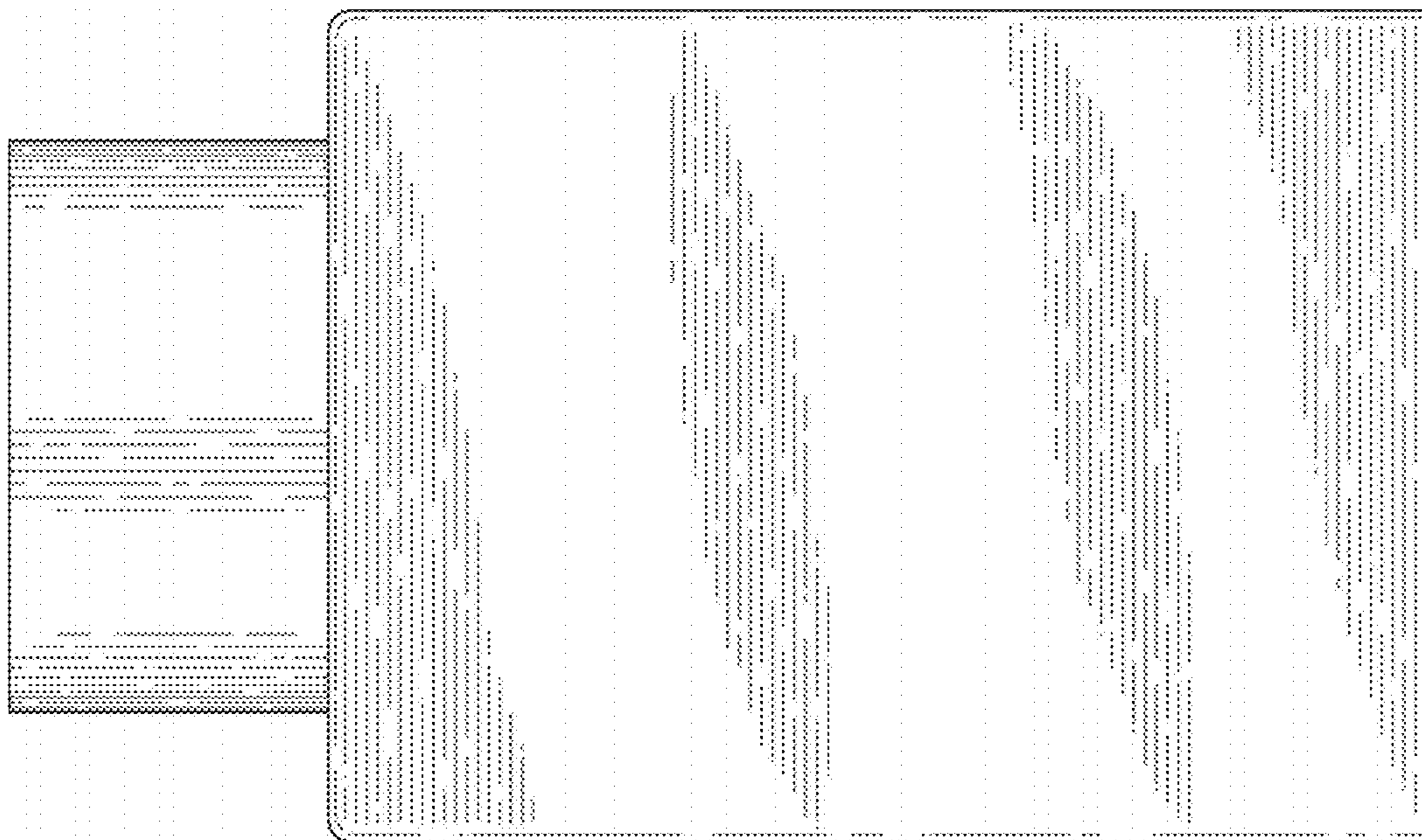


Fig. 6