



US00D779641S

(12) **United States Design Patent**  
**Guajardo et al.**

(10) **Patent No.:** **US D779,641 S**

(45) **Date of Patent:** **\*\* Feb. 21, 2017**

(54) **ERGONOMIC NUT FOR A SINK P-TRAP**

(71) Applicant: **Coflex S.A. de C.V.**, Monterrey, Nuevo Leon (MX)

(72) Inventors: **Pedro Gonzalez Guajardo**, Luevo Leon (MX); **Edgar Vela Barrera**, Luevo Leon (MX)

(73) Assignee: **COFLEX S.A. DE C.V.** (MX)

(\*\*) Term: **15 Years**

(21) Appl. No.: **29/532,209**

(22) Filed: **Jul. 2, 2015**

(51) **LOC (10) Cl.** ..... **23-01**

(52) **U.S. Cl.**  
USPC ..... **D23/262**

(58) **Field of Classification Search**

USPC ..... D23/259, 262, 265, 268, 269; D8/382, D8/354

CPC ..... F16L 15/02; F16L 15/06; F16L 15/08; F16L 17/025; F16L 17/035; F16L 17/04; F16L 23/00; F16L 23/12; F16L 23/16; F16L 23/18; F16L 23/036; F02F 11/00

See application file for complete search history.

(56) **References Cited**

**U.S. PATENT DOCUMENTS**

D262,940 S \* 2/1982 Spinner ..... D8/397  
D560,484 S \* 1/2008 Smith ..... D8/396  
7,712,797 B2 \* 5/2010 Lum ..... F16K 5/0626  
285/368

D696,751 S \* 12/2013 Beagen, Jr. .... D23/269  
D711,730 S \* 8/2014 McKiernan ..... D8/396  
D713,715 S \* 9/2014 Kury ..... D8/397  
D724,936 S \* 3/2015 Coronado ..... D8/397  
9,151,420 B2 \* 10/2015 McKiernan ..... F16L 23/10  
D745,119 S \* 12/2015 Browning ..... D23/265  
2013/0152291 A1 \* 6/2013 Stonecipher ..... E03D 11/16  
4/252.1

\* cited by examiner

*Primary Examiner* — Eric Goodman

*Assistant Examiner* — Amy Wierenga

(74) *Attorney, Agent, or Firm* — Baker & McKenzie LLP

(57) **CLAIM**

The ornamental design for an ergonomic nut for a sink p-trap, as shown and described.

**DESCRIPTION**

FIG. 1 is a perspective view of an ergonomic nut for a sink p-trap in accordance with my design;

FIG. 2 is a front view of the ergonomic nut for a sink p-trap shown in FIG. 1;

FIG. 3 is a back view of the ergonomic nut for a sink p-trap shown in FIG. 1;

FIG. 4 is a side view of the ergonomic nut for a sink p-trap shown in FIG. 1;

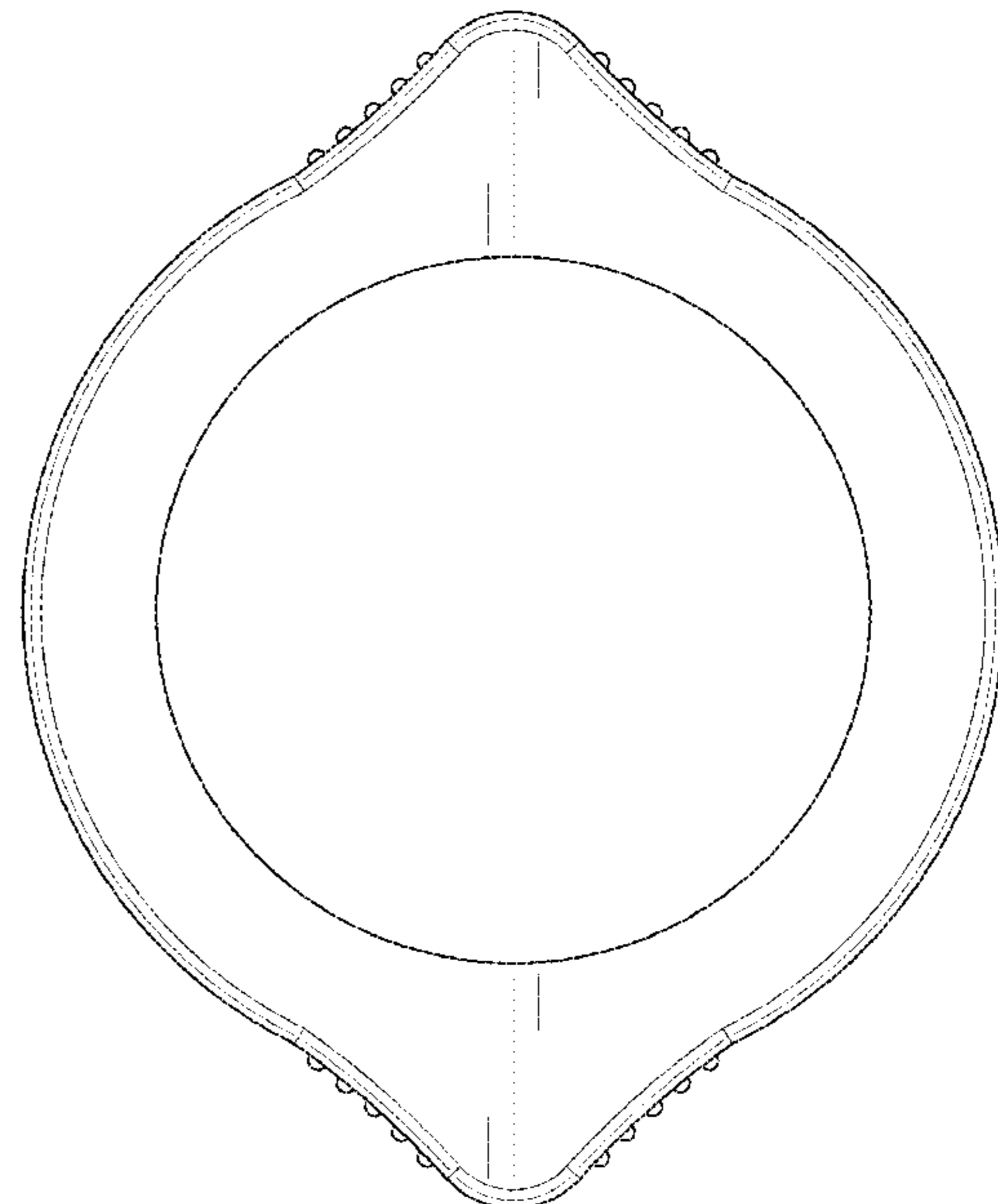
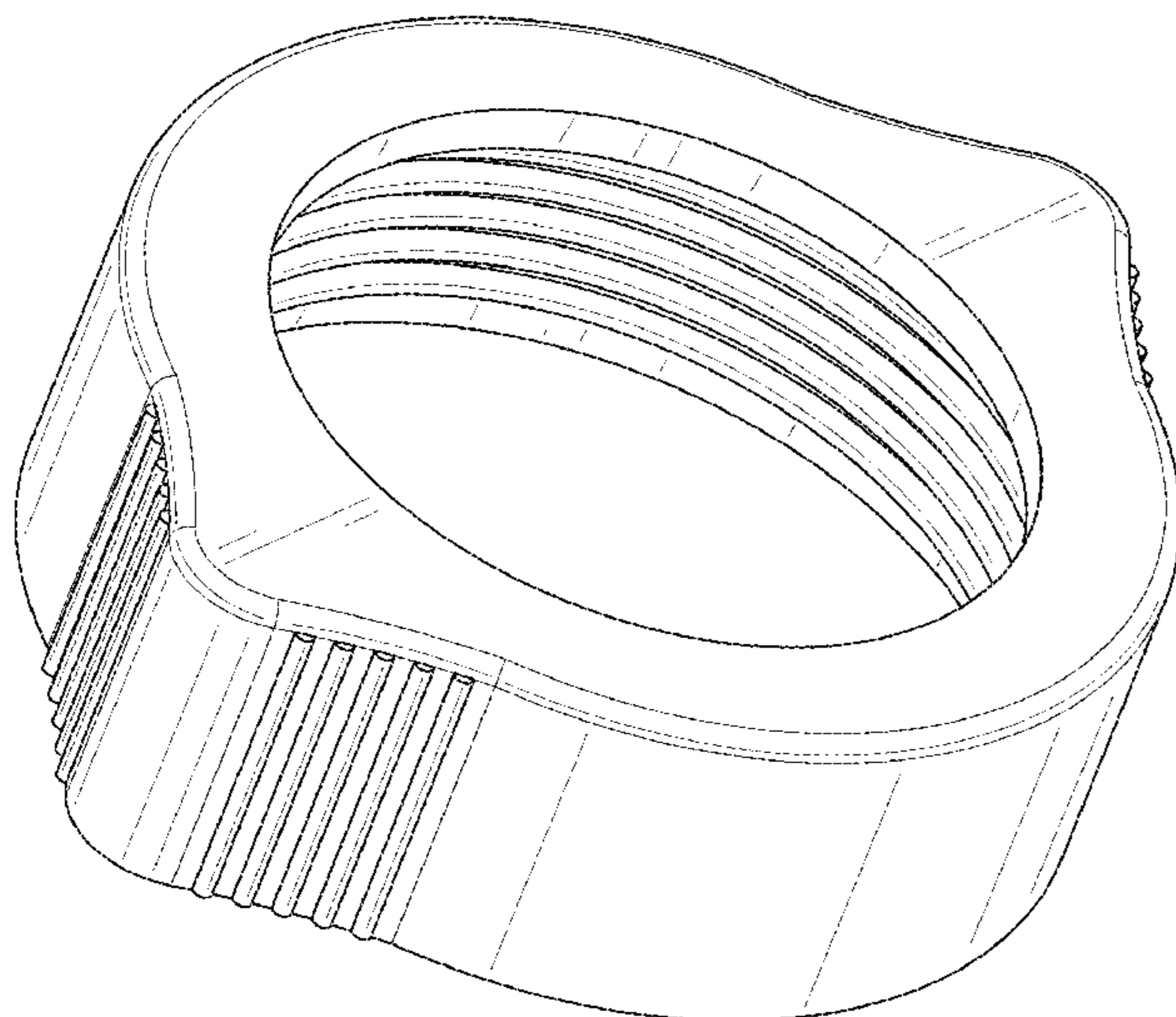
FIG. 5 is an opposite side view of the ergonomic nut for a sink p-trap shown in FIG. 1;

FIG. 6 is a top view of the ergonomic nut for a sink p-trap shown in FIG. 1; and,

FIG. 7 is a bottom view of the ergonomic nut for a sink p-trap shown in FIG. 1.

The dashed broken lines depict portions of the article that form no part of the claim.

**1 Claim, 5 Drawing Sheets**



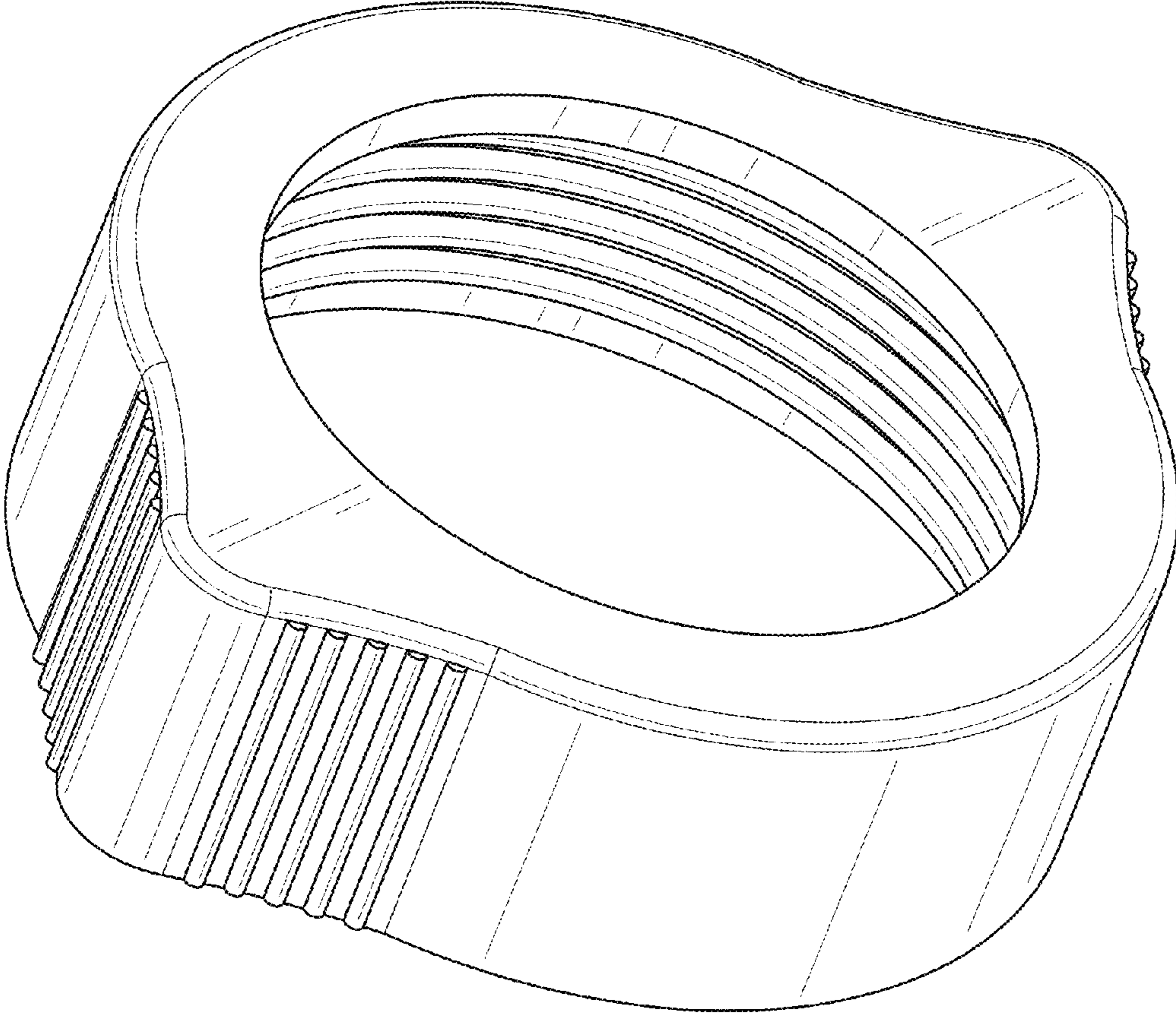


FIG. 1

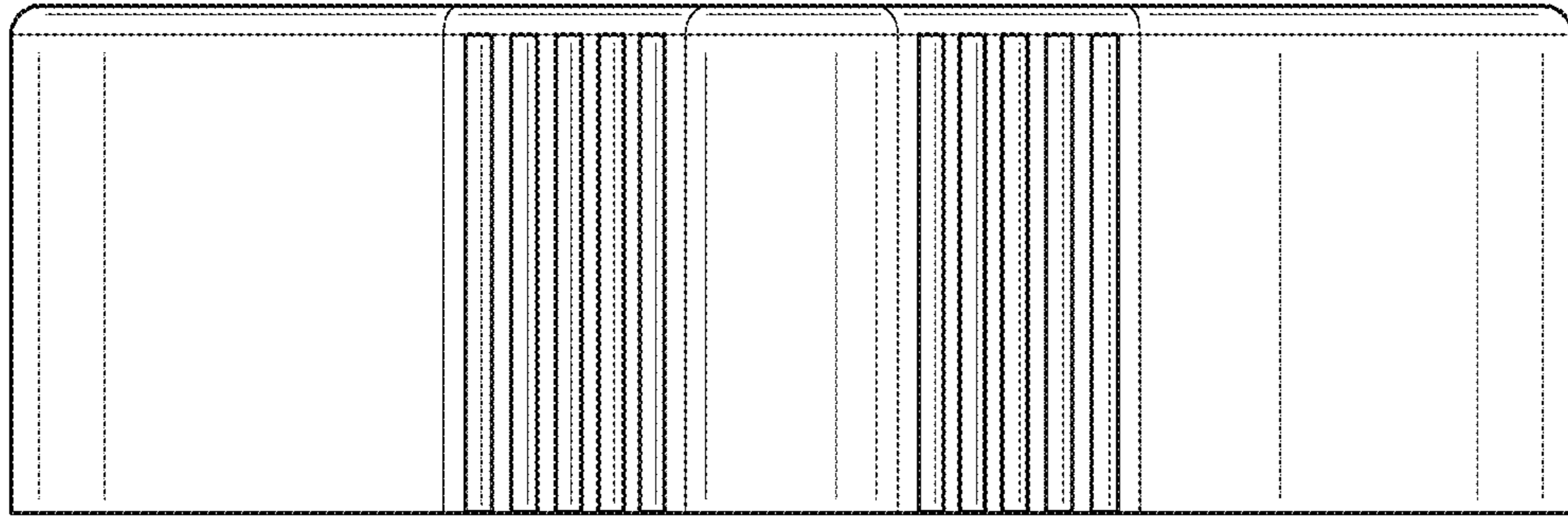


FIG. 2

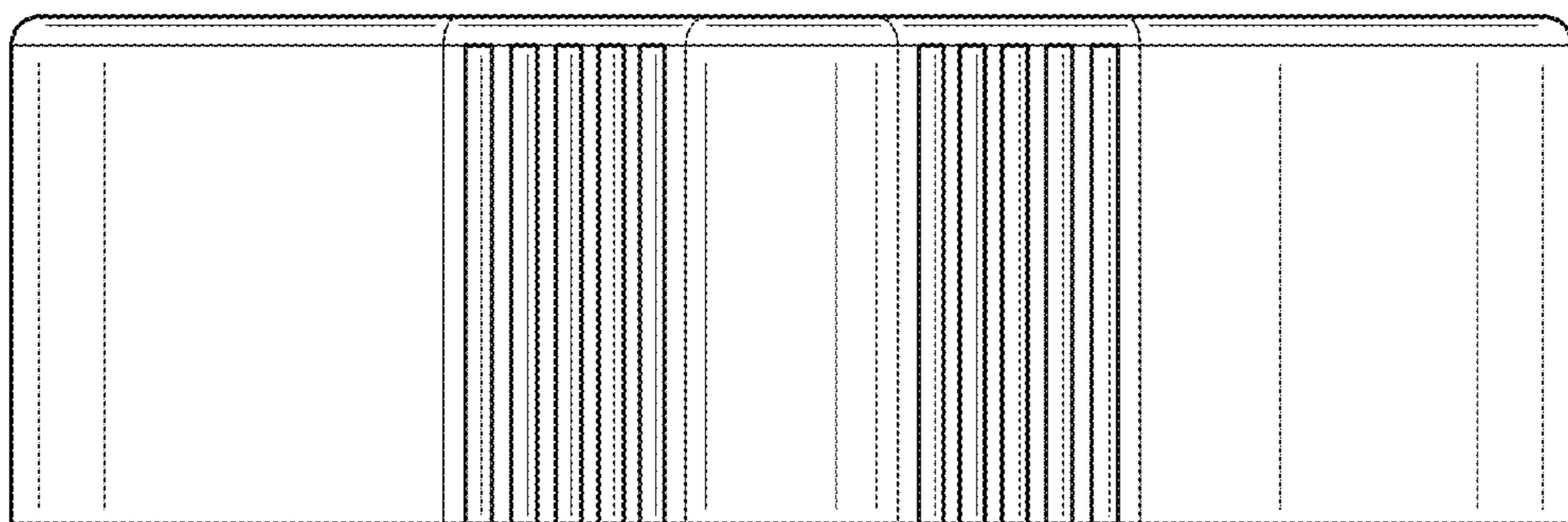


FIG. 3

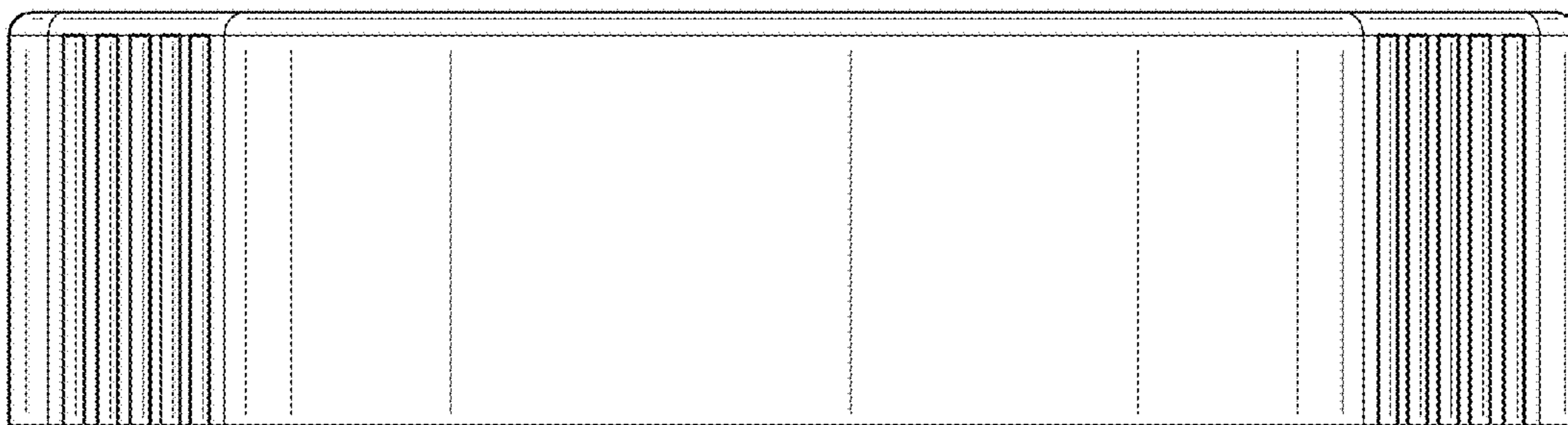


FIG. 4

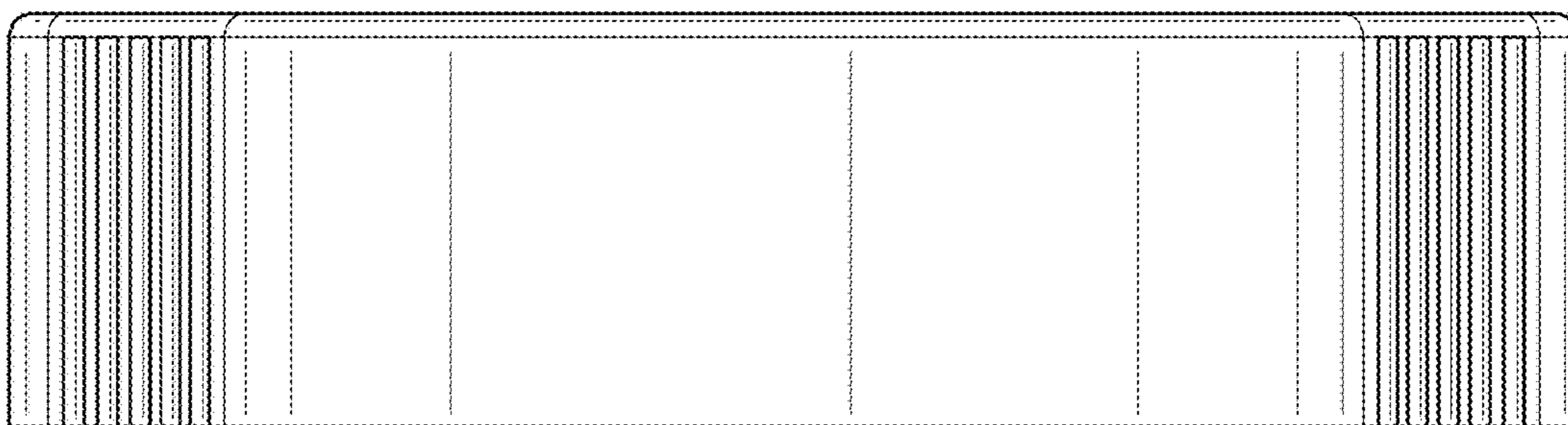


FIG. 5

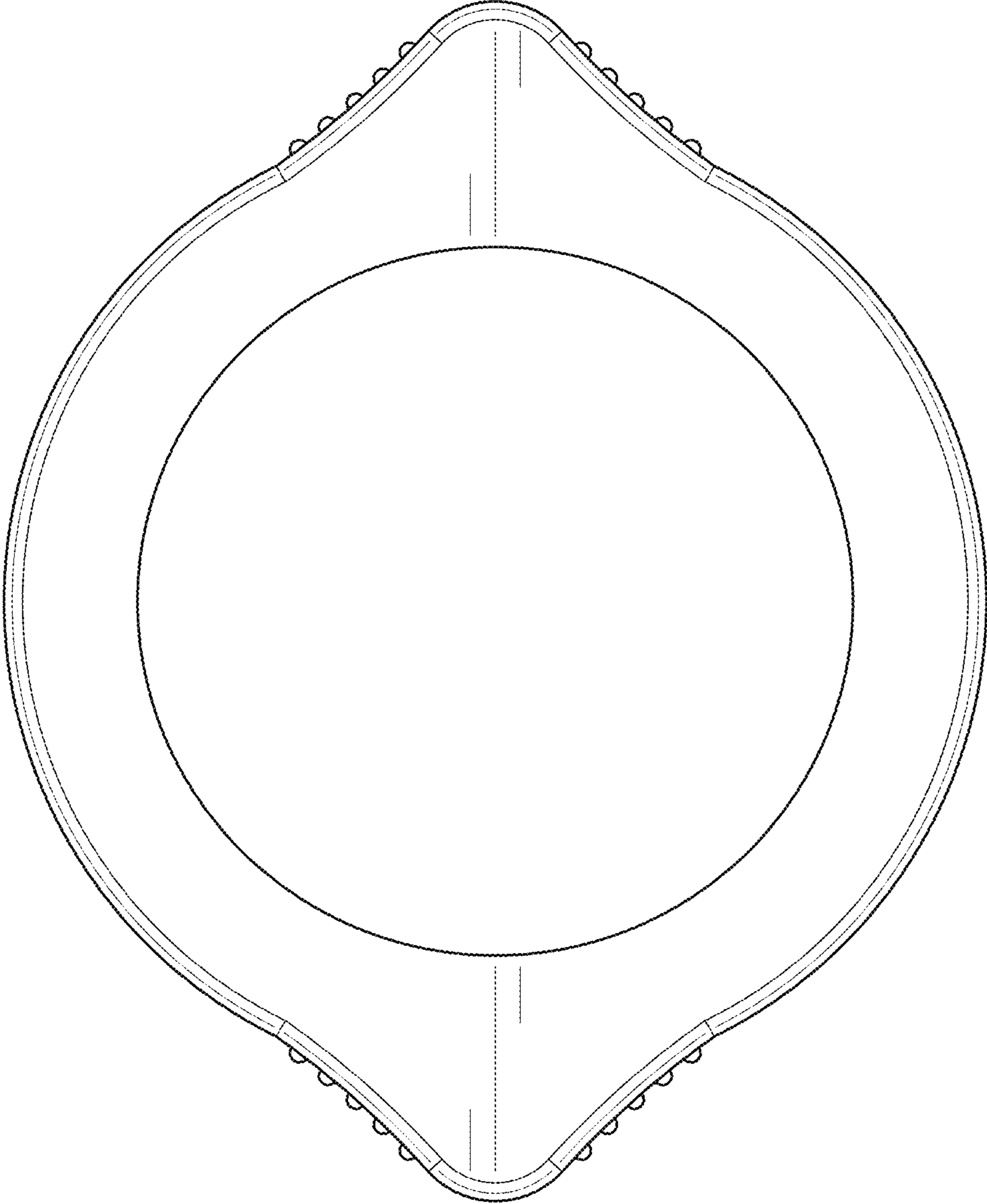


FIG. 6

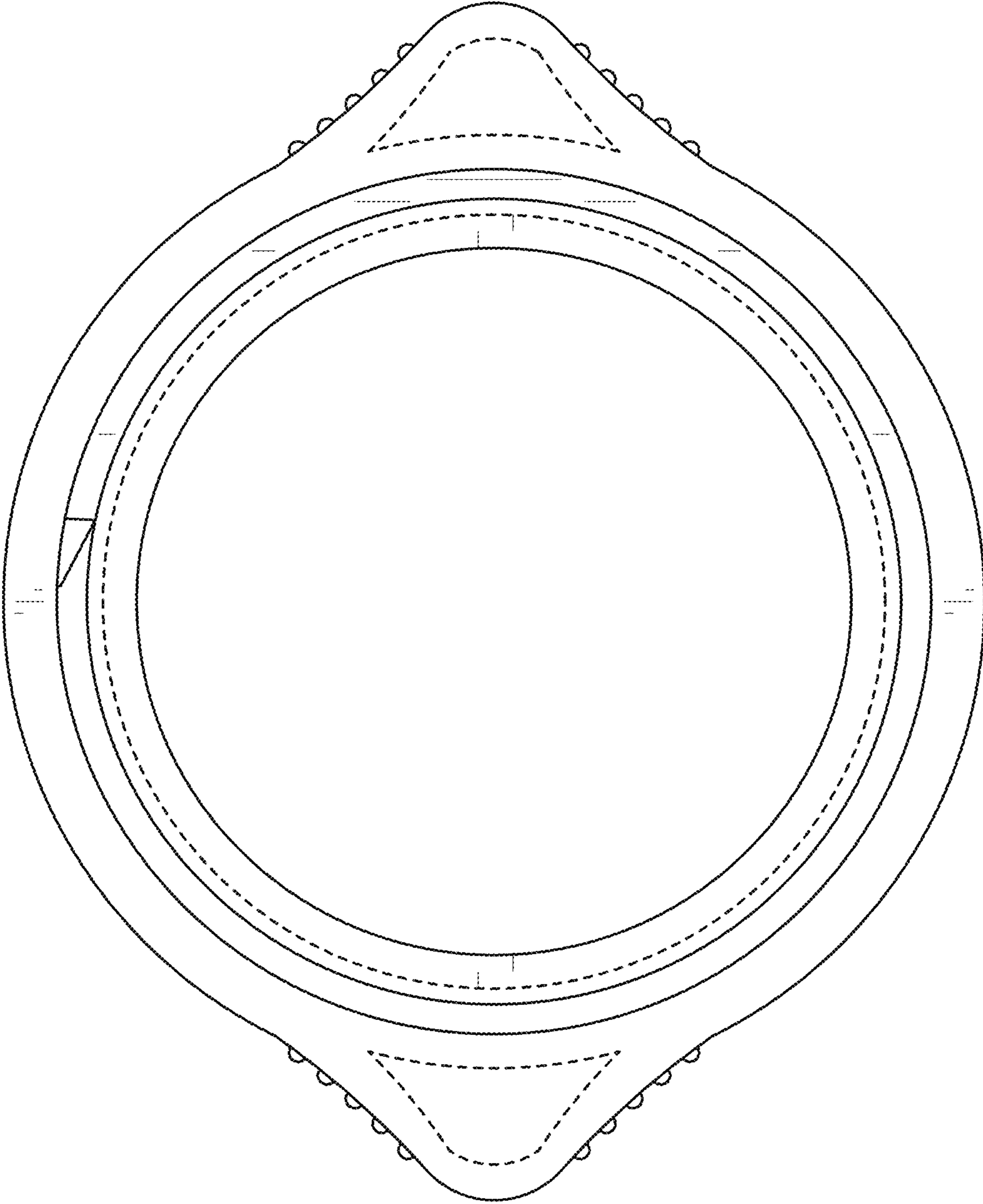


FIG. 7

UNITED STATES PATENT AND TRADEMARK OFFICE  
**CERTIFICATE OF CORRECTION**

PATENT NO. : D779,641 S  
APPLICATION NO. : 29/532209  
DATED : February 21, 2017  
INVENTOR(S) : Guajardo et al.

Page 1 of 1

It is certified that error appears in the above-identified patent and that said Letters Patent is hereby corrected as shown below:

On the Title Page

Item (72), Inventors:

Please delete "Luevo Leon (MX)" after inventor Pedro Gonzalez Guajardo and insert  
-- Nuevo Leon (MX) --

Please delete "Luevo Leon (MX)" after inventor Edgar Vela Barrera and insert  
-- Nuevo Leon (MX) --

Signed and Sealed this  
Twenty-fourth Day of October, 2017



Joseph Matal

*Performing the Functions and Duties of the  
Under Secretary of Commerce for Intellectual Property and  
Director of the United States Patent and Trademark Office*