



US00D779640S

(12) **United States Design Patent** (10) **Patent No.:** **US D779,640 S**
Vaz et al. (45) **Date of Patent:** **** Feb. 21, 2017**

- (54) **FEMALE HOSE FITTING**
- (71) Applicant: **TEKNOR APEX COMPANY**,
Pawtucket, RI (US)
- (72) Inventors: **David Vaz**, Riverside, RI (US); **Mark Buchan**, Norton, MA (US)
- (73) Assignee: **TEKNOR APEX COMPANY**,
Pawtucket, RI (US)
- (**) Term: **14 Years**
- (21) Appl. No.: **29/524,970**
- (22) Filed: **Apr. 24, 2015**
- (51) **LOC (10) Cl.** **23-01**
- (52) **U.S. Cl.**
USPC **D23/262**
- (58) **Field of Classification Search**
USPC D23/259–266, 269, 213; D24/129; D15/144
CPC . F16L 37/088; F16L 37/0841; Y10S 285/921;
A61M 2039/1027
See application file for complete search history.

(56) **References Cited**

U.S. PATENT DOCUMENTS

1,104,508 A	7/1914	Huthsing	
D195,540 S *	6/1963	Knight	D23/262
3,162,470 A *	12/1964	Owens	F16L 37/113 285/272
D231,928 S	6/1974	Nelson	
3,939,875 A	2/1976	Osborn et al.	
D254,505 S	3/1980	Parsons	
4,477,109 A	10/1984	Kleuver	
4,541,657 A	9/1985	Smyth	
D283,342 S	4/1986	Tisserat	
D334,046 S *	3/1993	Klose	D23/213
5,285,561 A	2/1994	Manning	
5,413,147 A	5/1995	Moreiras et al.	
D383,378 S	9/1997	Schrader	

D392,722 S	3/1998	Kurz	
6,113,153 A	9/2000	Yang	
6,186,181 B1	2/2001	Schippl	
D483,096 S *	12/2003	Gotoh	D23/235
6,948,527 B2	9/2005	Ragner et al.	
7,168,451 B1	1/2007	Dundas	
7,549,448 B2	6/2009	Ragner et al.	
D613,780 S	4/2010	Henry et al.	
D613,827 S *	4/2010	Damaske	D23/259
D631,351 S	1/2011	Coon	
7,887,662 B2	2/2011	Wagner et al.	
7,971,617 B2	7/2011	Henry et al.	

(Continued)

FOREIGN PATENT DOCUMENTS

GB	904638	8/1962
GB	1017331	1/1966

(Continued)

OTHER PUBLICATIONS

International Search Report dated Jul. 18, 2016.

Primary Examiner — Eric Goodman

Assistant Examiner — Amy Wierenga

(74) *Attorney, Agent, or Firm* — Hudak, Shunk & Farine Co. LPA

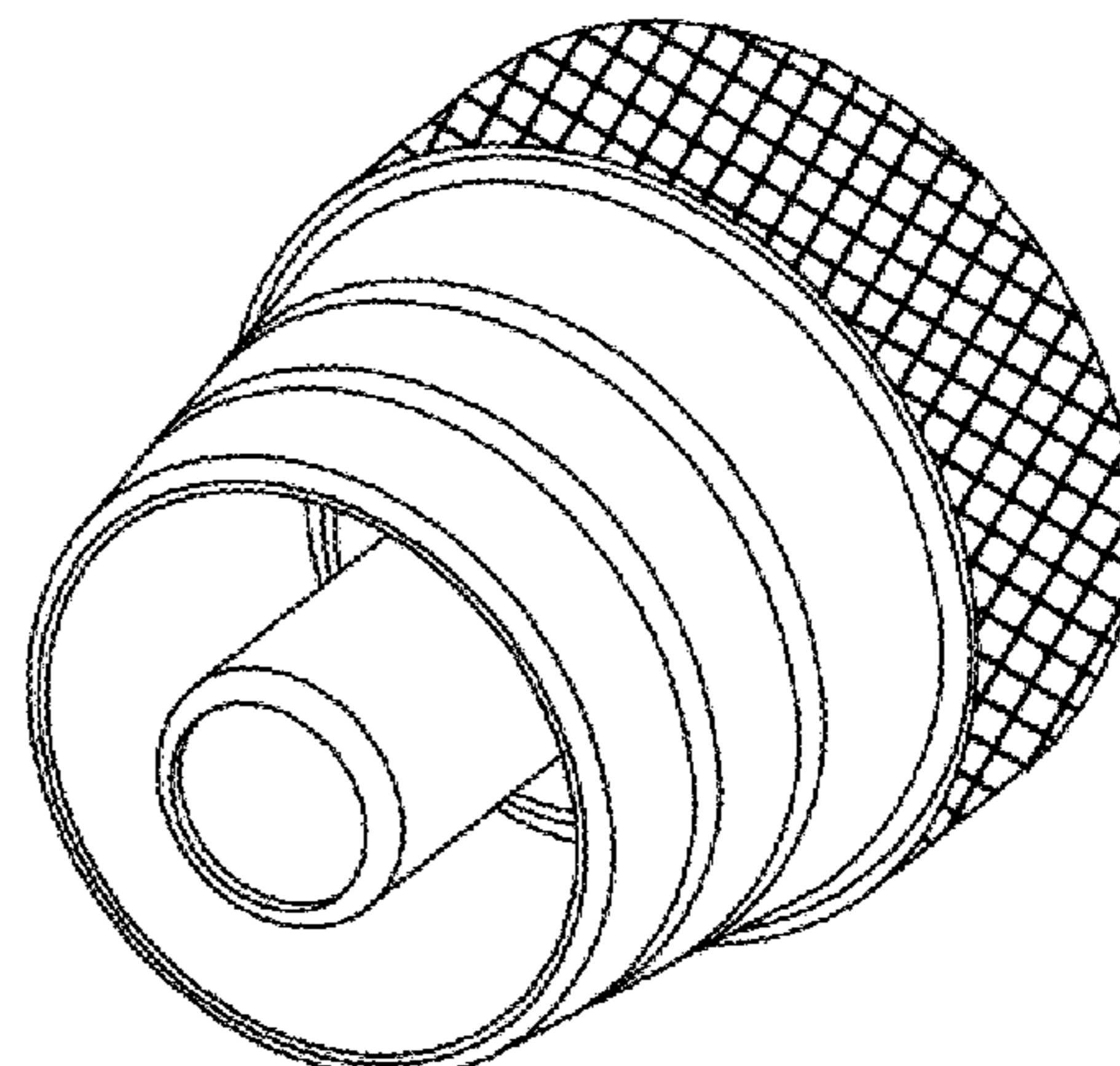
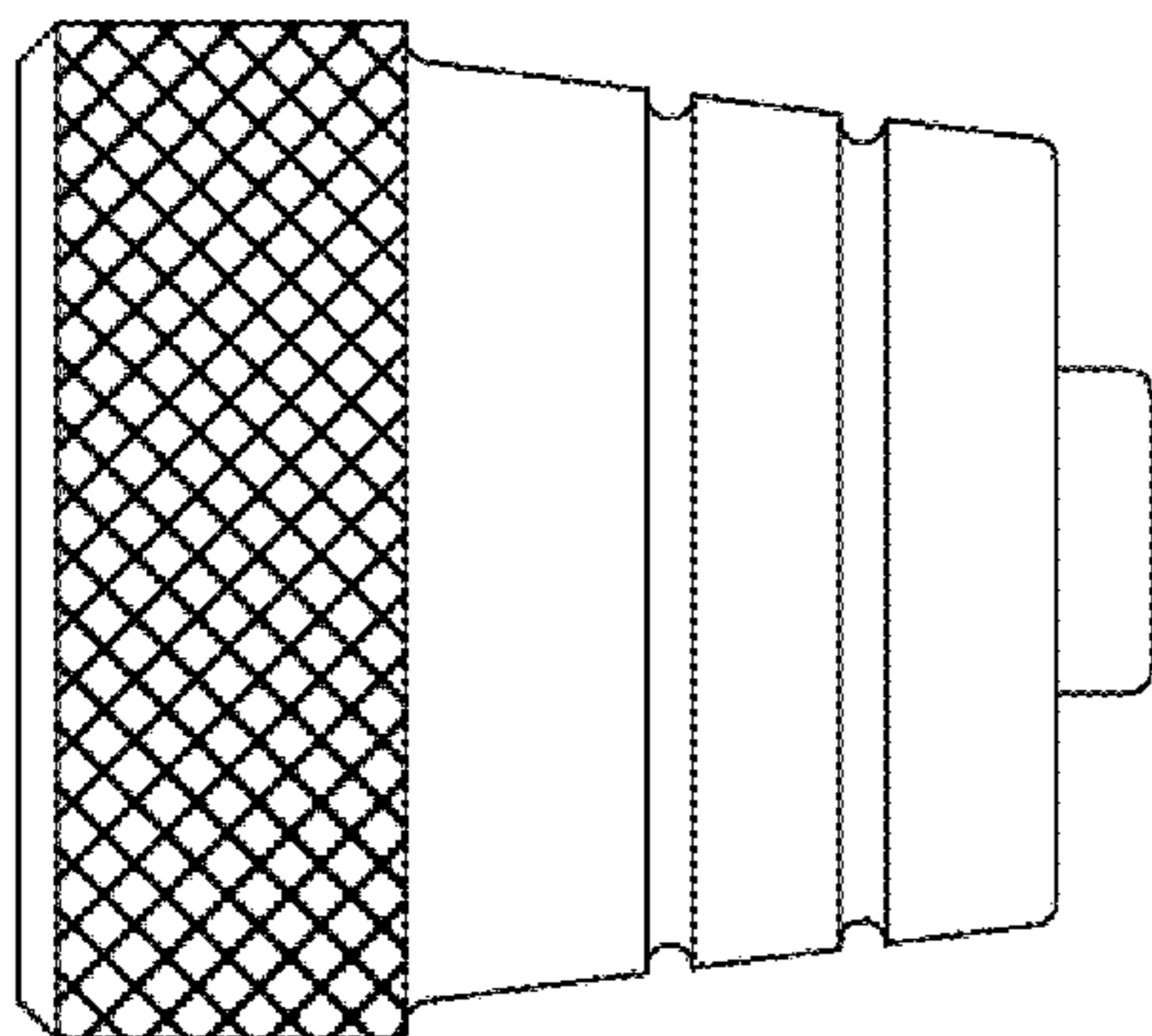
(57) **CLAIM**

The ornamental design for a female hose fitting, as shown and described.

DESCRIPTION

FIG. 1 is a side view of a female hose fitting, wherein the opposite side is a mirror image thereof;
 FIG. 2 is a rear side perspective view thereof;
 FIG. 3 is a front side perspective view thereof;
 FIG. 4 is a front view thereof; and,
 FIG. 5 is a rear view of FIG. 1.

1 Claim, 1 Drawing Sheet



(56)

References Cited

U.S. PATENT DOCUMENTS

7,975,633 B2 7/2011 Henry et al.
 D645,632 S 9/2011 Henry et al.
 D648,502 S 11/2011 Henry et al.
 D648,503 S 11/2011 Henry et al.
 D650,052 S 12/2011 Drenth
 8,141,609 B2 3/2012 Henry et al.
 8,211,262 B2 7/2012 Henry et al.
 D666,644 S 9/2012 Henry
 8,272,420 B2 9/2012 Henry
 8,291,941 B1 10/2012 Berardi
 8,291,942 B2 10/2012 Berardi
 8,359,991 B2 1/2013 Henry et al.
 8,371,143 B2 2/2013 Ragner
 D679,784 S 4/2013 Meyer
 8,453,701 B2 6/2013 Henry
 8,479,776 B2 7/2013 Berardi
 D687,528 S 8/2013 Meyer
 D691,261 S 10/2013 Kawamura
 D693,393 S 11/2013 Henry
 D705,284 S 5/2014 Nussbaum
 D705,285 S 5/2014 Nussbaum
 D706,904 S 6/2014 Faraon Chaul Huerta
 8,757,213 B2 6/2014 Berardi
 8,776,836 B2 7/2014 Ragner et al.
 8,826,838 B2 9/2014 Henry et al.
 D714,935 S 10/2014 Nishioka
 D717,406 S 11/2014 Stanley
 D717,848 S 11/2014 Henry et al.
 8,936,046 B2 1/2015 Ragner
 D722,681 S 2/2015 Berardi
 8,951,380 B2 2/2015 Henry
 D723,669 S 3/2015 Berardi
 D724,186 S 3/2015 Berardi

9,022,076 B2 5/2015 Ragner et al.
 D736,357 S * 8/2015 Melo D23/262
 D736,359 S * 8/2015 Melo D23/262
 D736,914 S 8/2015 Schultz
 D738,471 S * 9/2015 Melo D23/262
 D739,493 S * 9/2015 Wyne D23/200
 D744,562 S * 12/2015 Hassan D15/144
 D744,563 S 12/2015 Hassan
 D744,564 S * 12/2015 Hassan D15/144
 2011/0083787 A1 4/2011 Henry
 2012/0227363 A1 9/2012 Nussbaum
 2013/0098887 A1 4/2013 Henry
 2013/0113205 A1 5/2013 Berardi
 2014/0007881 A1 1/2014 Rummery et al.
 2014/0124125 A1 5/2014 Nussbaum et al.
 2014/0124127 A1 5/2014 Henry
 2014/0124136 A1 5/2014 Nussbaum
 2014/0130930 A1 5/2014 Ragner
 2014/0150889 A1 6/2014 Ragner
 2014/0305586 A1 10/2014 Hupp, Sr.
 2014/0305587 A1 10/2014 Henry
 2014/0307987 A1 10/2014 Henry
 2014/0345734 A1 11/2014 Berardi
 2014/0374020 A1 12/2014 Warnock, II
 2015/0007902 A1 1/2015 Ragner
 2015/0041016 A1 2/2015 Ragner
 2015/0129042 A1 5/2015 Ragner
 2015/0219259 A1 8/2015 Weems
 2015/0219260 A1 8/2015 Kury

FOREIGN PATENT DOCUMENTS

WO 2014169057 A1 10/2014
 WO 2015023592 A1 2/2015

* cited by examiner

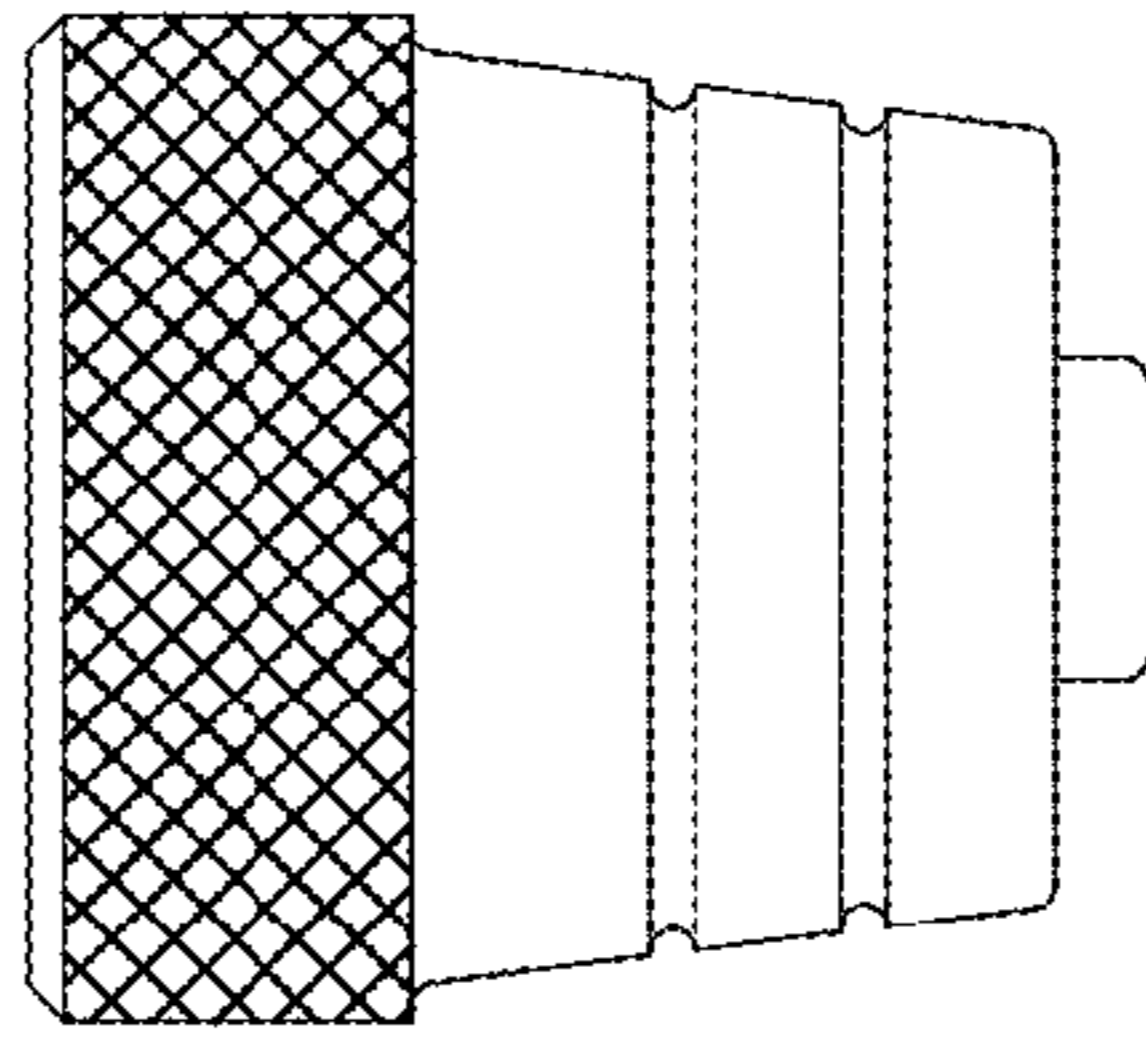


FIG. 1

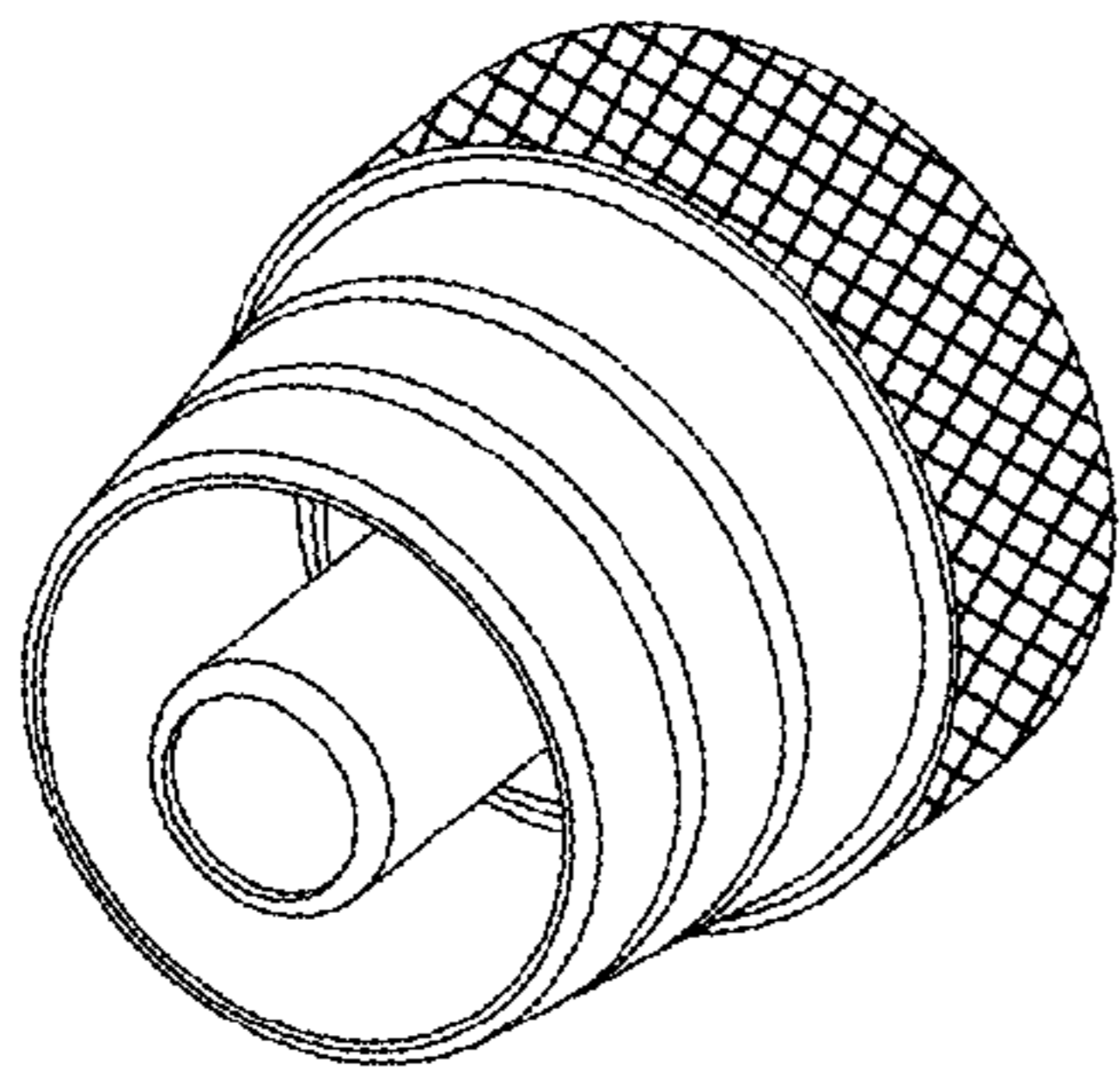


FIG. 2

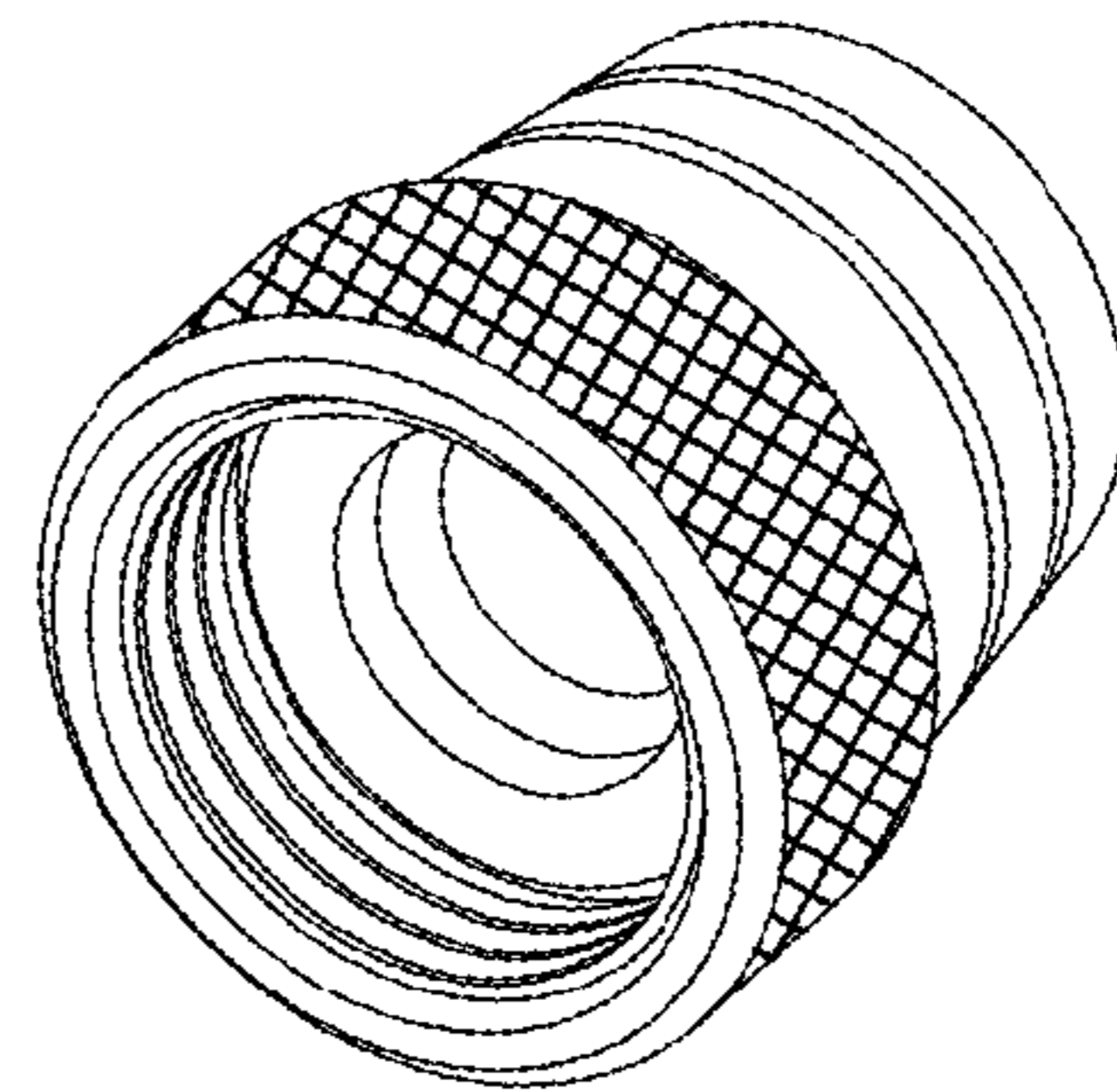


FIG. 3

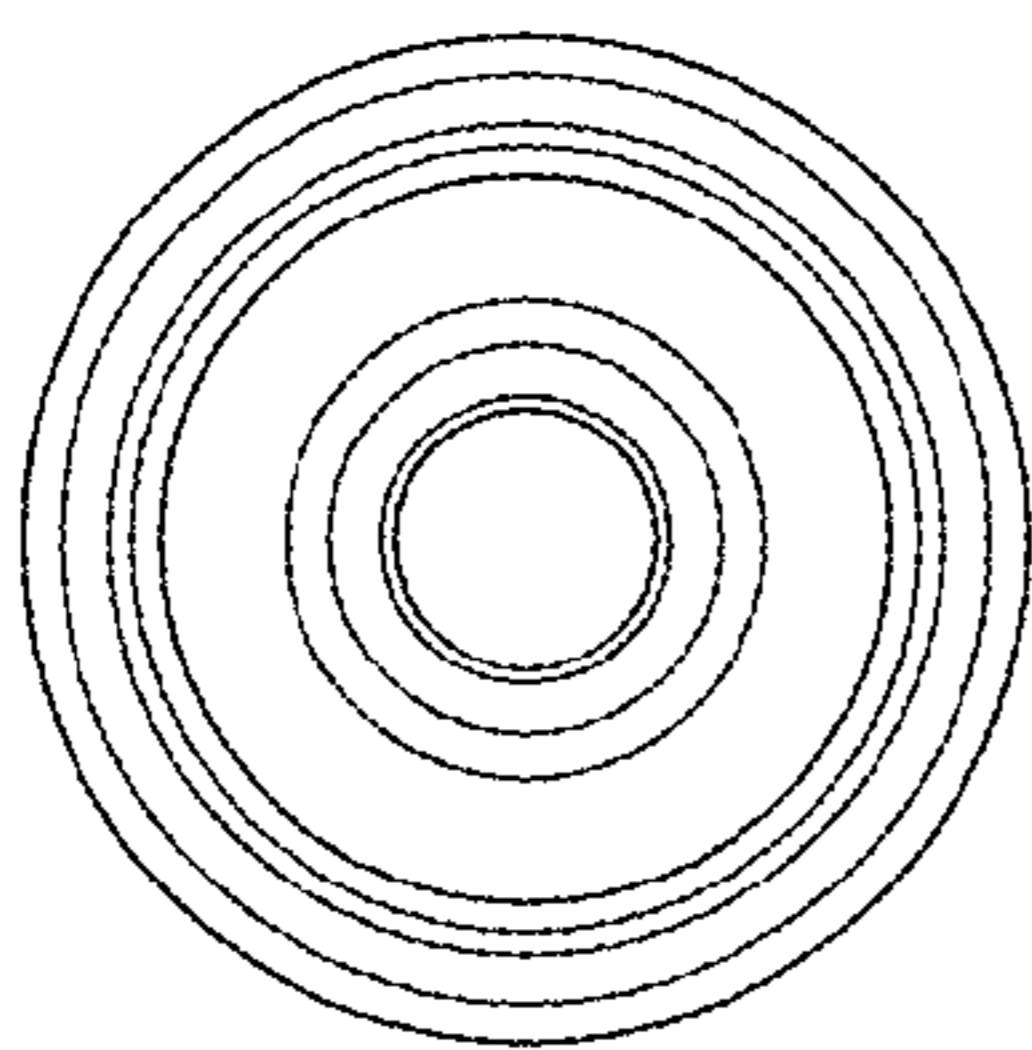


FIG. 4

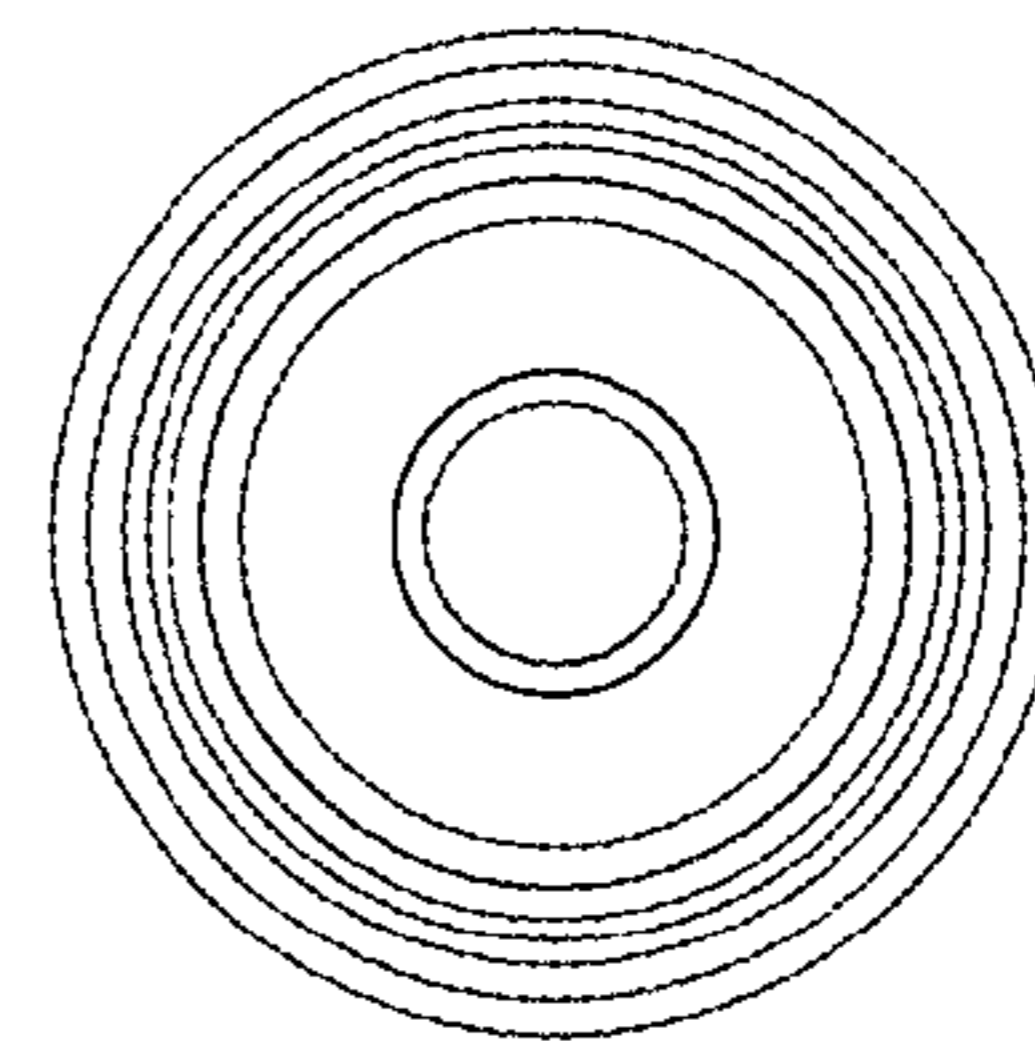


FIG. 5