



US00D779639S

(12) **United States Design Patent** (10) **Patent No.:** **US D779,639 S**
Hong (45) **Date of Patent:** **** Feb. 21, 2017**

- (54) **SPOUT**
- (71) Applicant: **Kohler Co.**, Kohler, WI (US)
- (72) Inventor: **Zheyang Hong**, Sheboygan, WI (US)
- (73) Assignee: **Kohler Co.**, Kohler, WI (US)
- (**) Term: **15 Years**
- (21) Appl. No.: **29/565,919**
- (22) Filed: **May 25, 2016**

- D641,072 S 7/2011 Flowers
- D644,303 S 8/2011 Slothower et al.
- D647,176 S 10/2011 Liao
- D647,179 S 10/2011 Flowers
- D647,601 S 10/2011 Liao
- D652,488 S 1/2012 Slothower et al.
- D661,374 S 6/2012 Slothower et al.
- D661,782 S 6/2012 Slothower et al.
- D704,304 S 5/2014 Schoenherr et al.
- D713,941 S 9/2014 Hundley et al.
- D716,418 S 10/2014 Hundley et al.

Primary Examiner — Robert Delehanty
(74) *Attorney, Agent, or Firm* — Foley & Lardner LLP

Related U.S. Application Data

- (62) Division of application No. 29/519,947, filed on Mar. 9, 2015, now Pat. No. Des. 767,733.
- (51) **LOC (10) Cl.** **23-01**
- (52) **U.S. Cl.**
USPC **D23/255**
- (58) **Field of Classification Search**
USPC D23/238–243, 249–250, 252, 254–255, D23/257, 253
CPC E03C 1/04; E03C 1/0401; E03C 1/0402; E03C 1/0404; F16K 31/602; F16K 31/605; F16K 31/607
See application file for complete search history.

(57) **CLAIM**

I claim the ornamental design for a spout, as shown and described.

DESCRIPTION

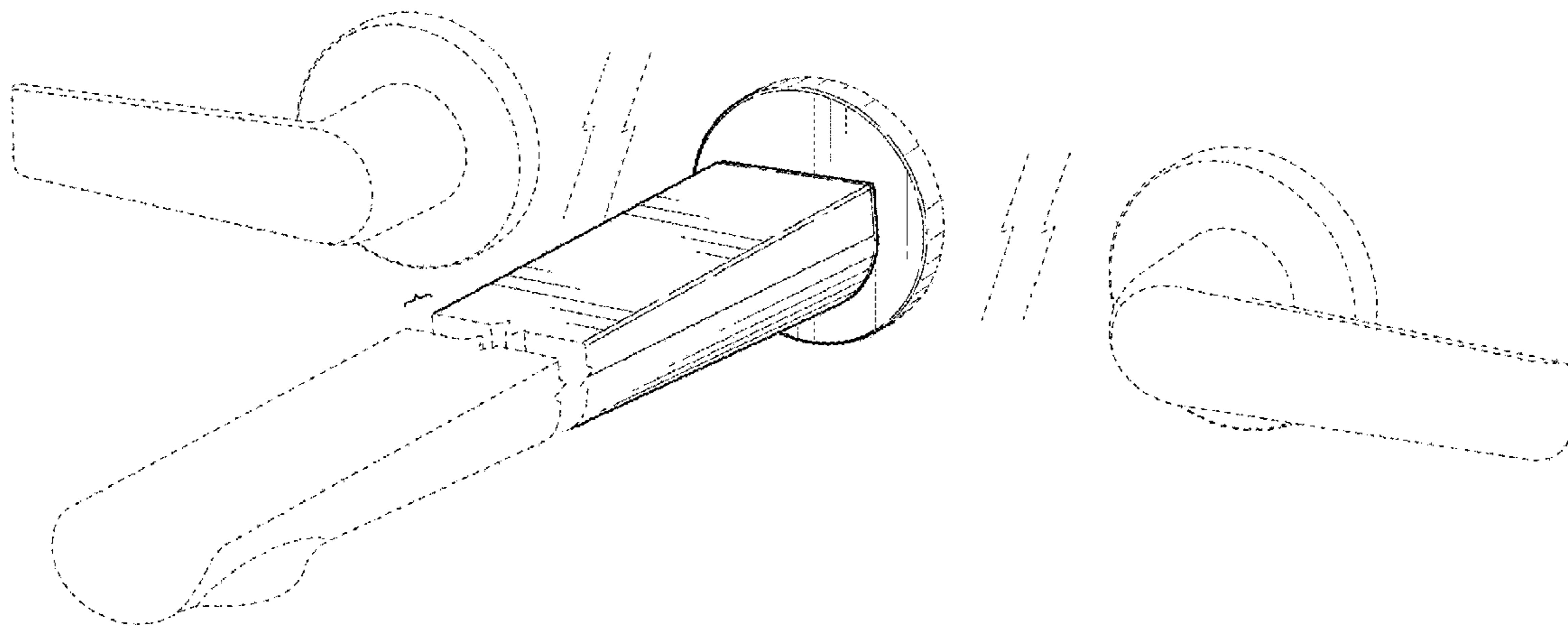
FIG. 1 is a top, front, right perspective view of an embodiment of the claimed design;
FIG. 2 is a front elevation view thereof;
FIG. 3 is a rear elevation view thereof;
FIG. 4 is a left elevation view thereof taken along line 4-4 in FIG. 2;
FIG. 5 is a right elevation view thereof taken along line 5-5 in FIG. 2;
FIG. 6 is a top, plan view thereof; and,
FIG. 7 is a bottom, plan view thereof.
The ornamental design which is claimed is shown in solid lines in the drawings. The broken lines in the drawings are for illustrative purposes only and form no part of the claimed design. Broken lines formed by equal length dashes show unclaimed subject matter. Broken away symbols having a jagged element show that no particular length of the portion is claimed.

(56) **References Cited**

U.S. PATENT DOCUMENTS

- D325,424 S 4/1992 Dannenberg
- D326,139 S 5/1992 Ragonot
- D527,807 S 9/2006 Haug
- D582,009 S 12/2008 Citterio
- D617,425 S 6/2010 Lammel
- D628,277 S 11/2010 Montgomery
- D636,065 S 4/2011 Schoenherr

1 Claim, 5 Drawing Sheets



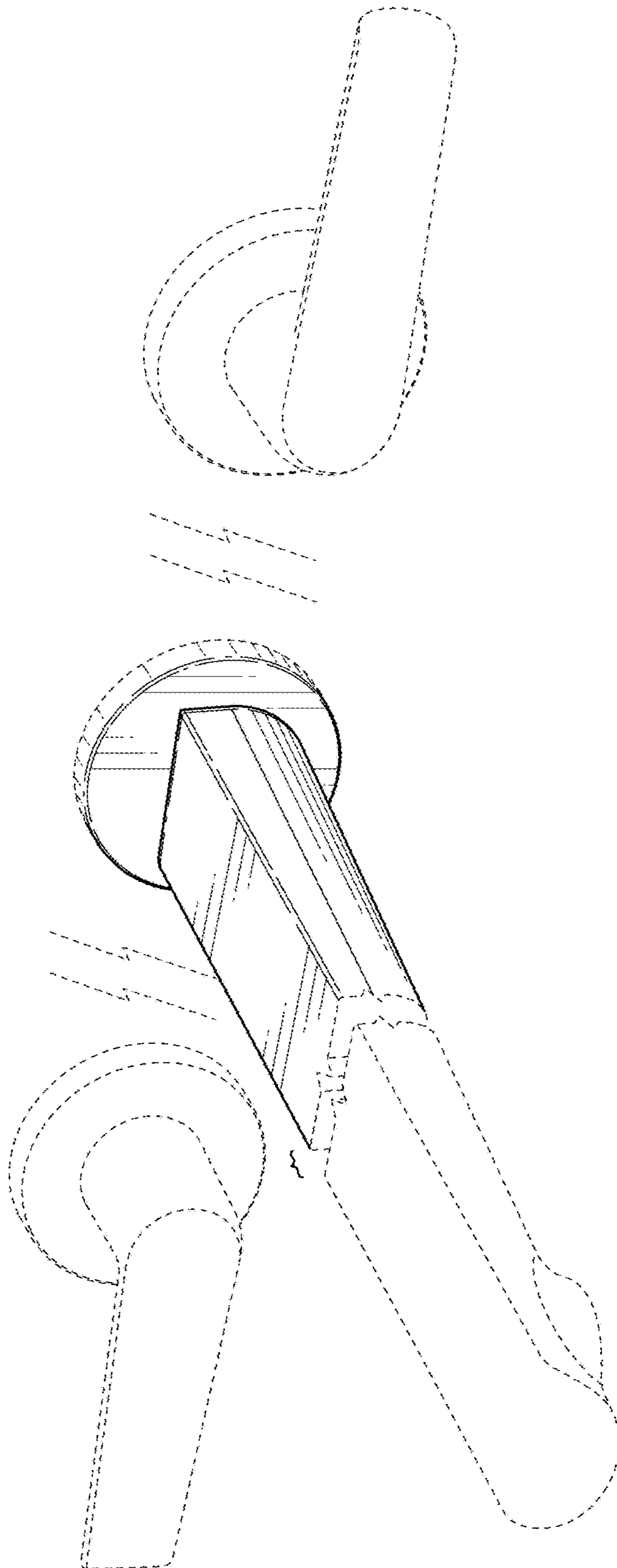


FIG. 1

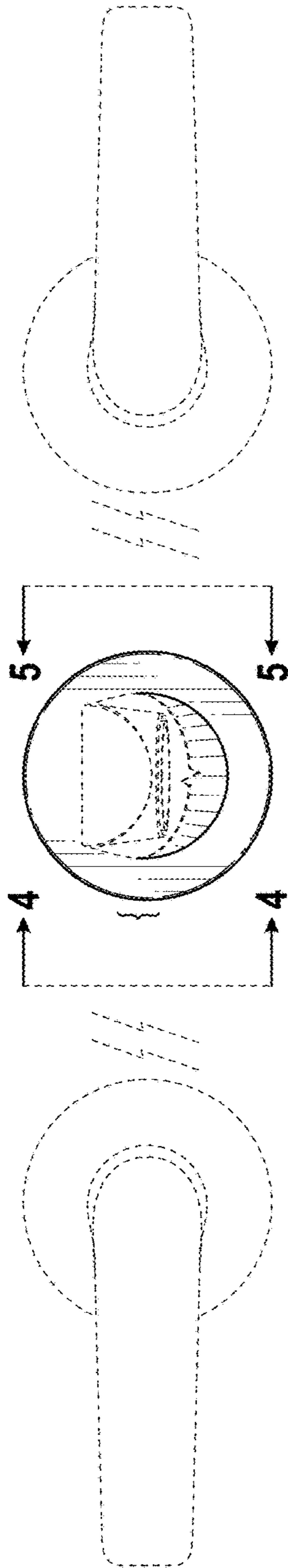


FIG. 2

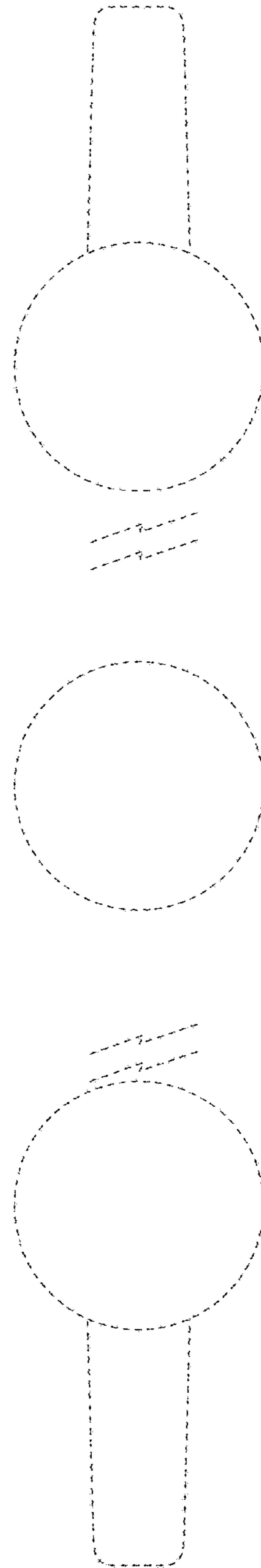


FIG. 3

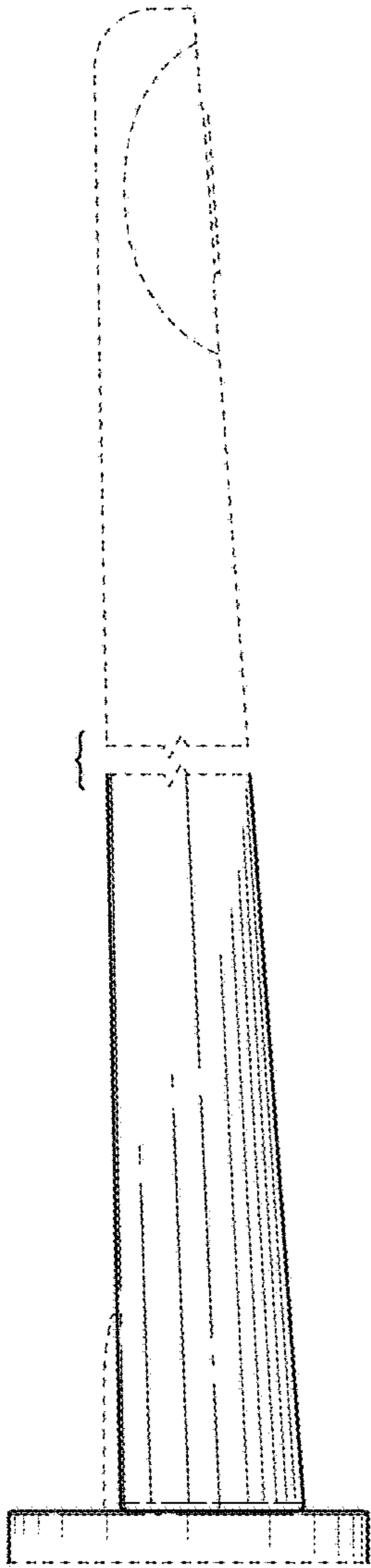


FIG. 4

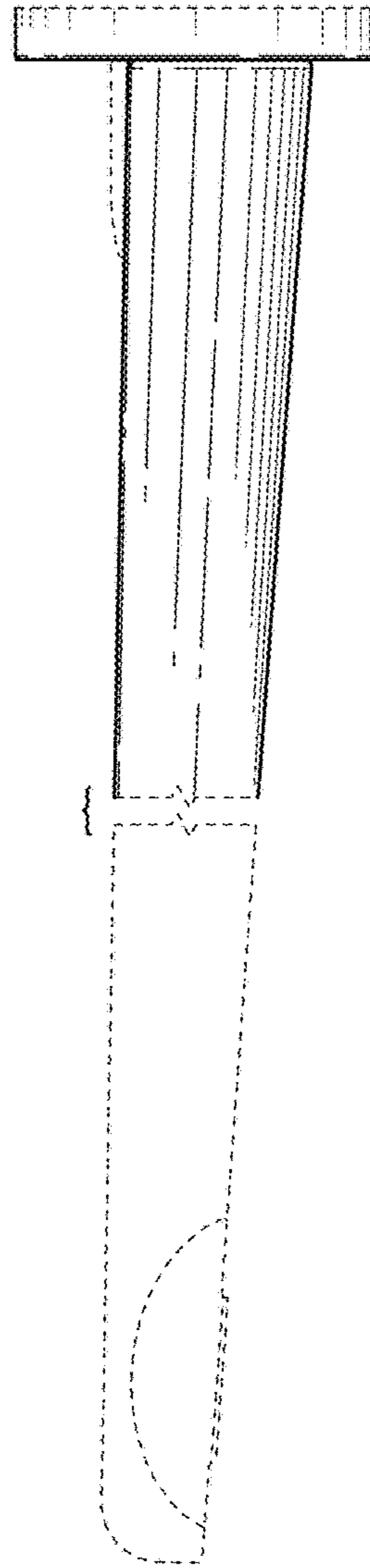


FIG. 5

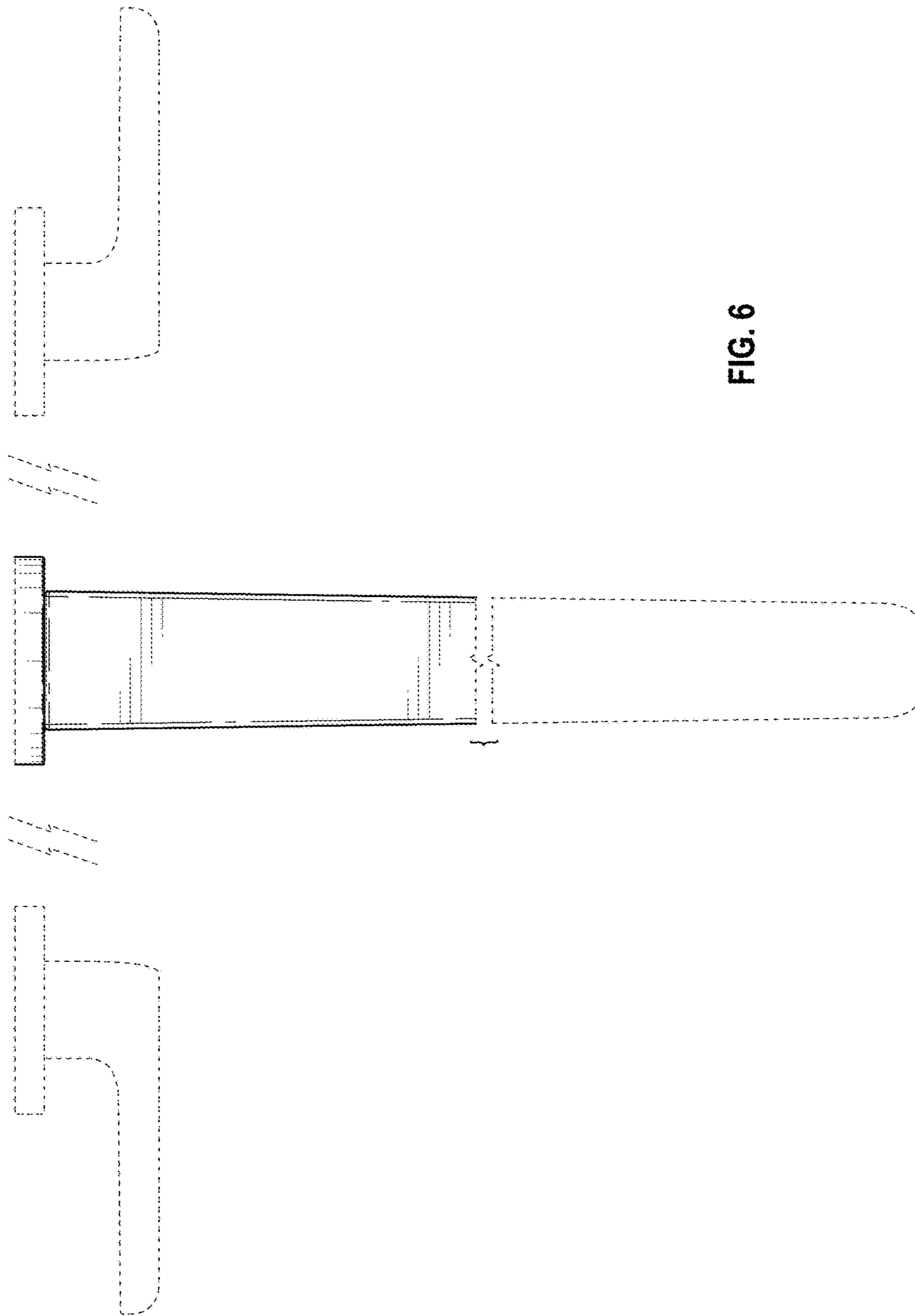


FIG. 6

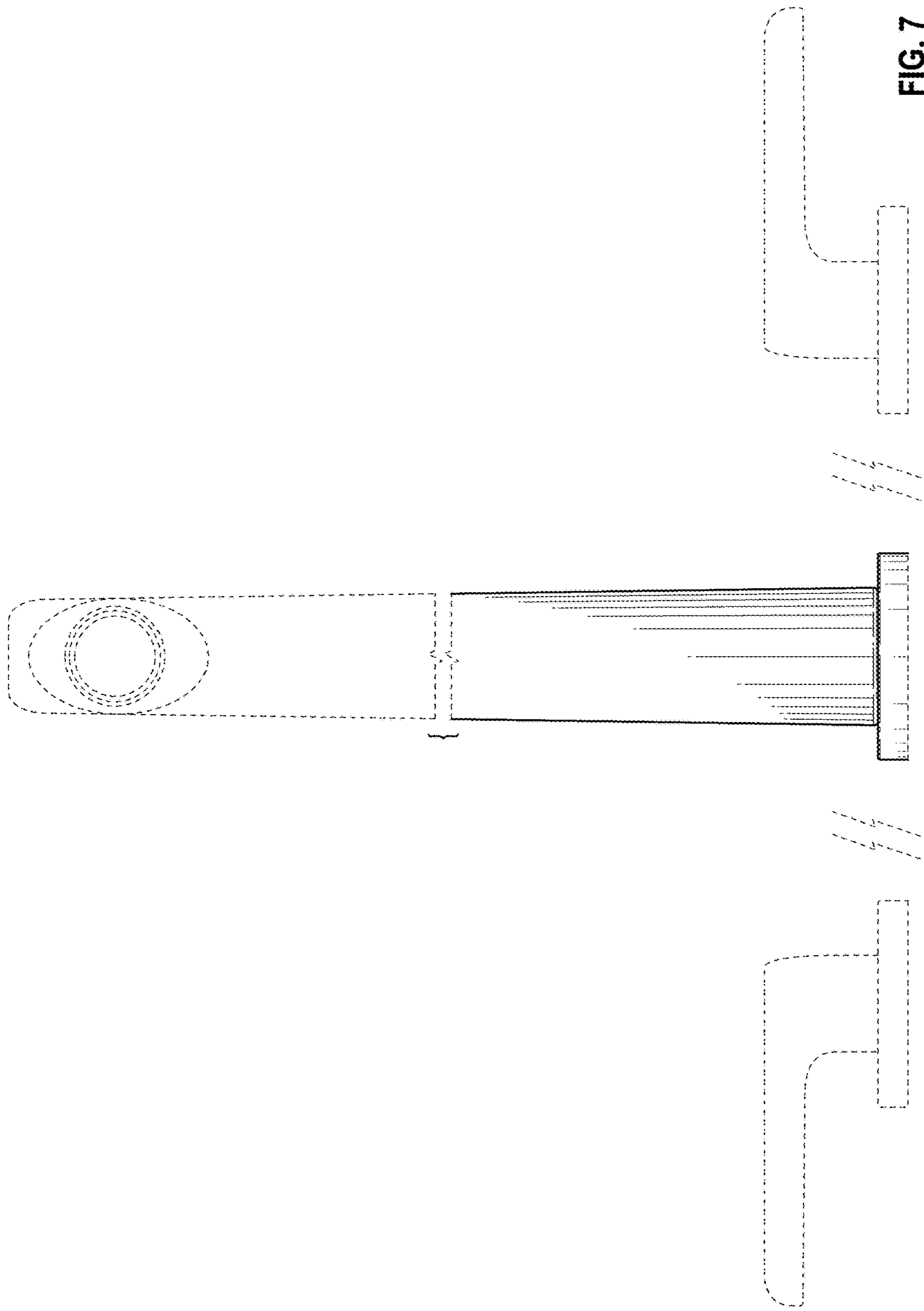


FIG. 7