

US00D779638S

(12) **United States Design Patent** (10) **Patent No.:** **US D779,638 S**
Kuran et al. (45) **Date of Patent:** **** Feb. 21, 2017**

(54) **WHEEL FAUCET**
(71) Applicant: **Waterstone, LLC**, Murietta, CA (US)
(72) Inventors: **Chris Kuran**, Fallbrook, CA (US);
Steve Kliewer, Whittier, CA (US)
(73) Assignee: **WATERSTONE, LLC**, Murietta, CA (US)
(**) Term: **15 Years**
(21) Appl. No.: **29/541,396**
(22) Filed: **Oct. 2, 2015**
(51) **LOC (10) Cl.** **23-01**
(52) **U.S. Cl.**
USPC **D23/253**
(58) **Field of Classification Search**
USPC D23/238-243, 249, 255, 257, 250, 252,
D23/254, 253
CPC E03C 1/04; E03C 1/0401; E03C 1/0402;
E03C 1/0404; F16K 31/602; F16K
31/605; F16K 31/607
See application file for complete search history.

(56) **References Cited**
U.S. PATENT DOCUMENTS
1,510,761 A 10/1924 Burman
1,838,290 A 12/1931 Steckel
D115,235 S * 6/1939 Olson D23/253
2,727,534 A 12/1955 Briede
2,971,520 A 2/1961 Motis et al.
D243,488 S 3/1977 Linse
D251,794 S 5/1979 Smith
4,207,920 A 6/1980 Westerhoff
4,232,710 A 11/1980 Gallo et al.
4,709,715 A 12/1987 Knight

D312,118 S 11/1990 Son
4,987,925 A 1/1991 Vroonland
D331,921 S 12/1992 Gutke et al.
5,379,205 A 1/1995 Peng
5,492,148 A 2/1996 Goughneour et al.
5,624,074 A 4/1997 Parisi
D464,711 S 10/2002 Warshawsky
D491,574 S 6/2004 Hung
D492,393 S 6/2004 Herring et al.
D496,715 S 9/2004 Warshawsky
6,820,291 B1 11/2004 Weaver
D522,009 S 5/2006 Chen
D529,033 S 9/2006 Hung
D534,620 S 1/2007 Zhou
D535,356 S 1/2007 Kuran et al.
D541,808 S 5/2007 Oddsen, Jr. et al.

(Continued)

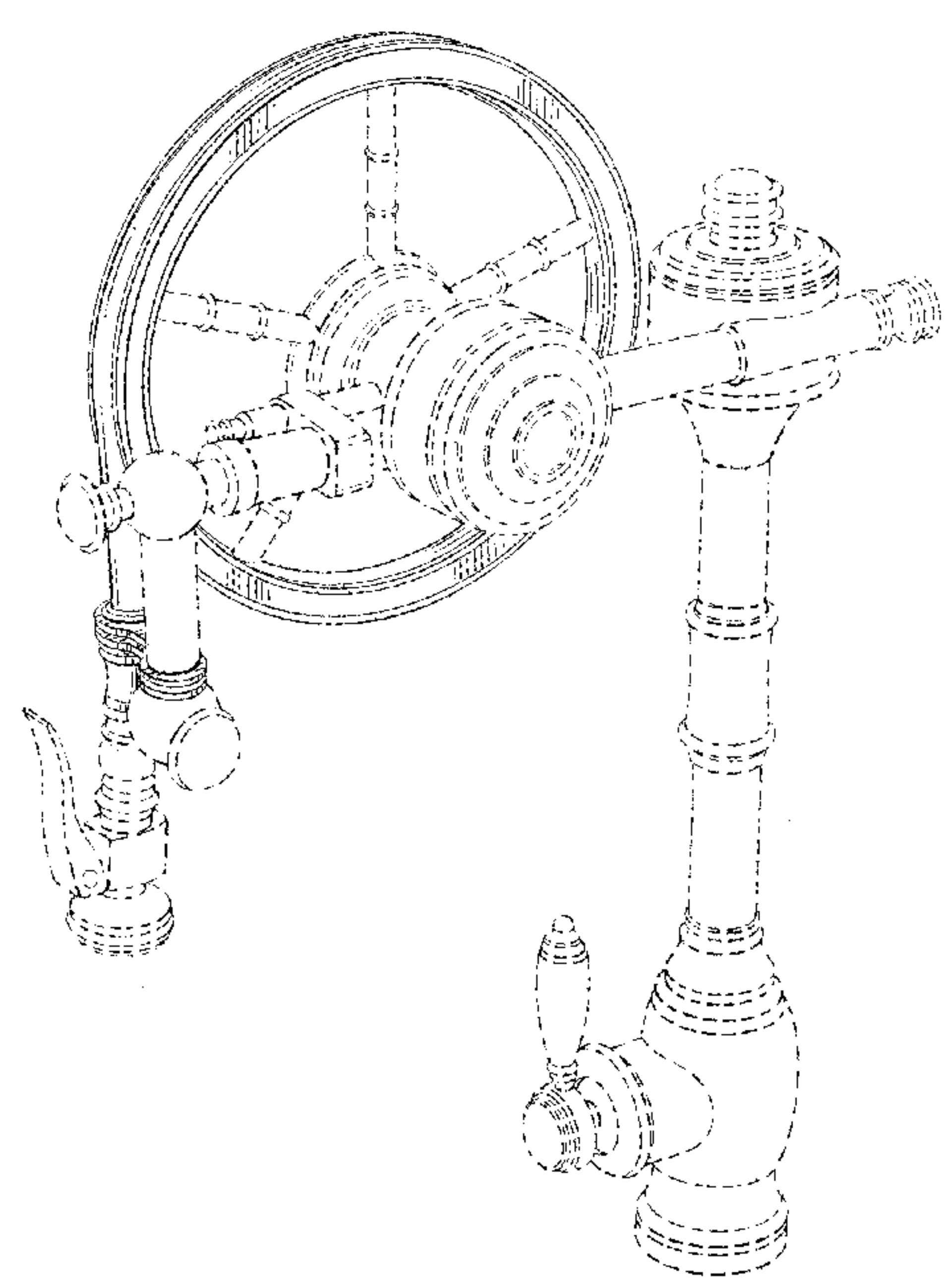
Primary Examiner — Robert Delehanty
(74) *Attorney, Agent, or Firm* — Myers Andras LLP;
Joseph C. Andras

(57) **CLAIM**
The ornamental design for the wheel faucet, as shown and described.

DESCRIPTION

FIG. 1 is a top view of the wheel faucet according to our design;
FIG. 2 is a bottom view of the wheel faucet;
FIG. 3 is a right side elevational view of the wheel faucet;
FIG. 4 is a left side elevational view of the wheel faucet;
FIG. 5 is a back side elevational view of the wheel faucet;
FIG. 6 is a front side elevational view of the wheel faucet;
and,
FIG. 7 is a front right perspective view of the wheel faucet.
The dashed lines in FIGS. 1-7 represent environmental structure and form no part of the claimed design.

1 Claim, 7 Drawing Sheets



(56)

References Cited

U.S. PATENT DOCUMENTS

D544,489 S	6/2007	Oddsens, Jr. et al.	
D565,705 S	4/2008	Kuran et al.	
D683,430 S *	5/2013	Spangler	D23/238
D765,227 S *	8/2016	Sallick	D23/241

* cited by examiner

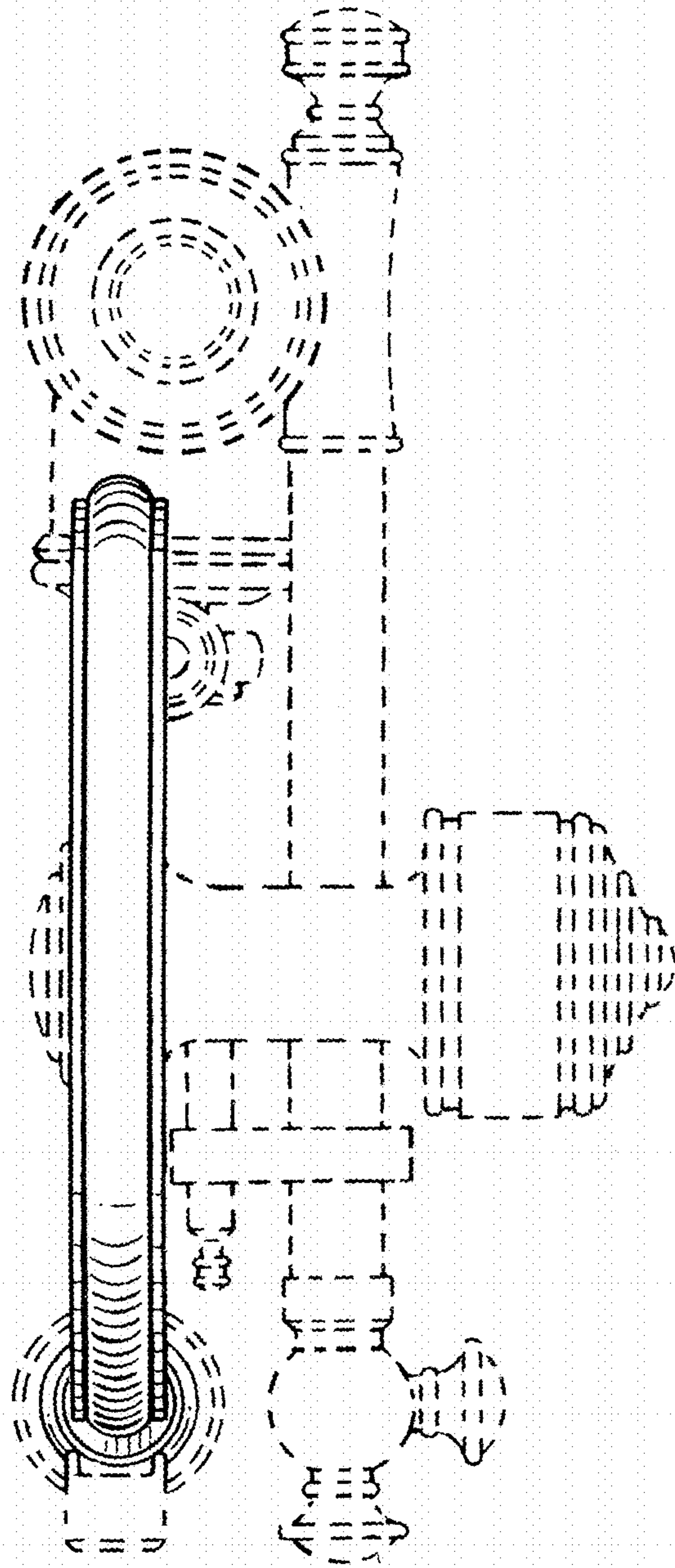


FIG. 1

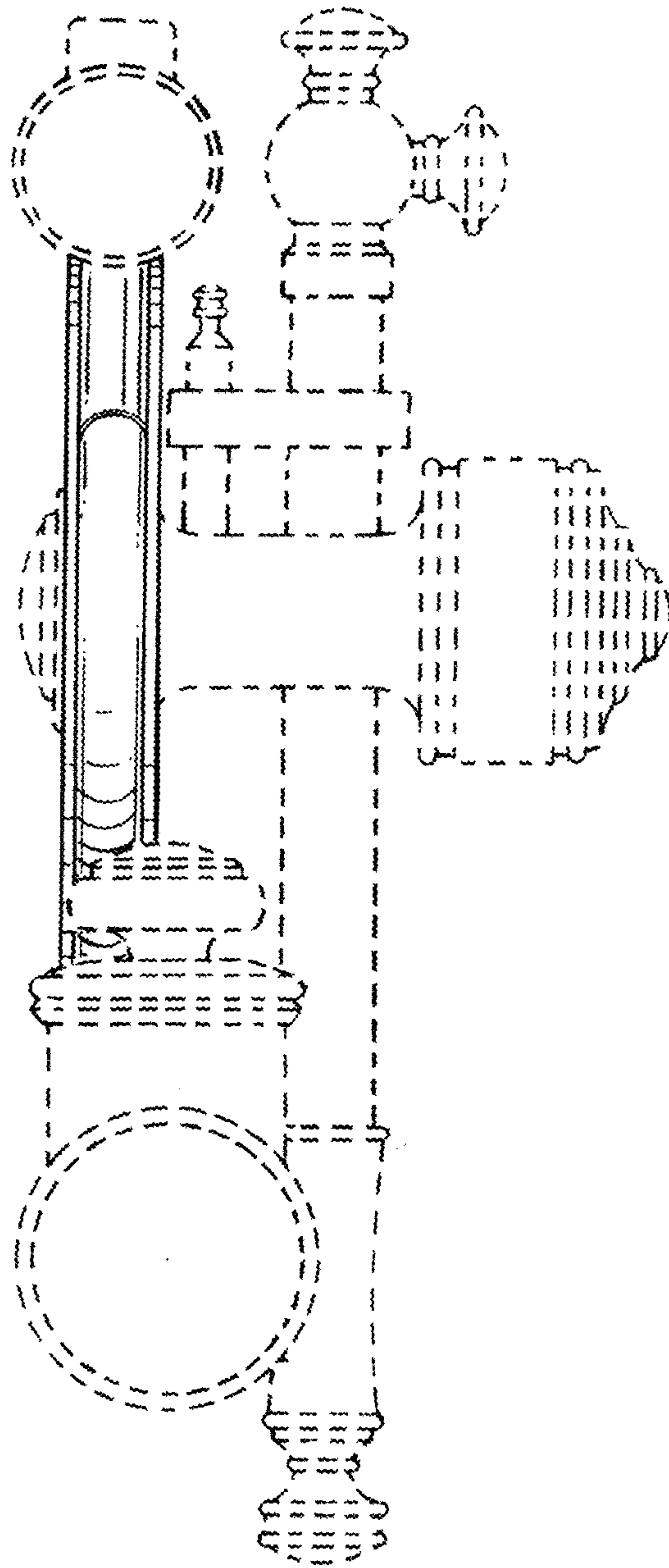


FIG. 2

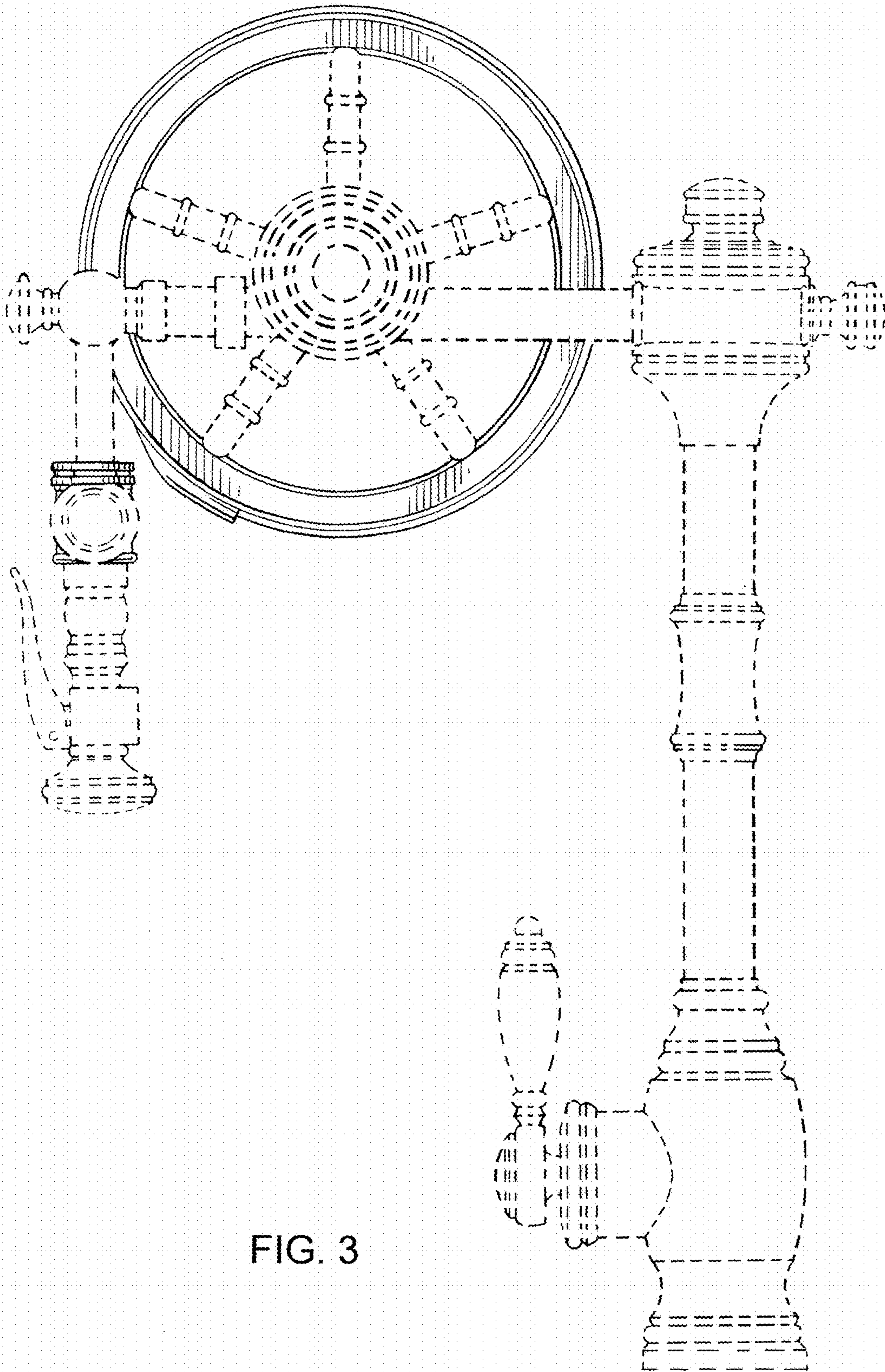


FIG. 3

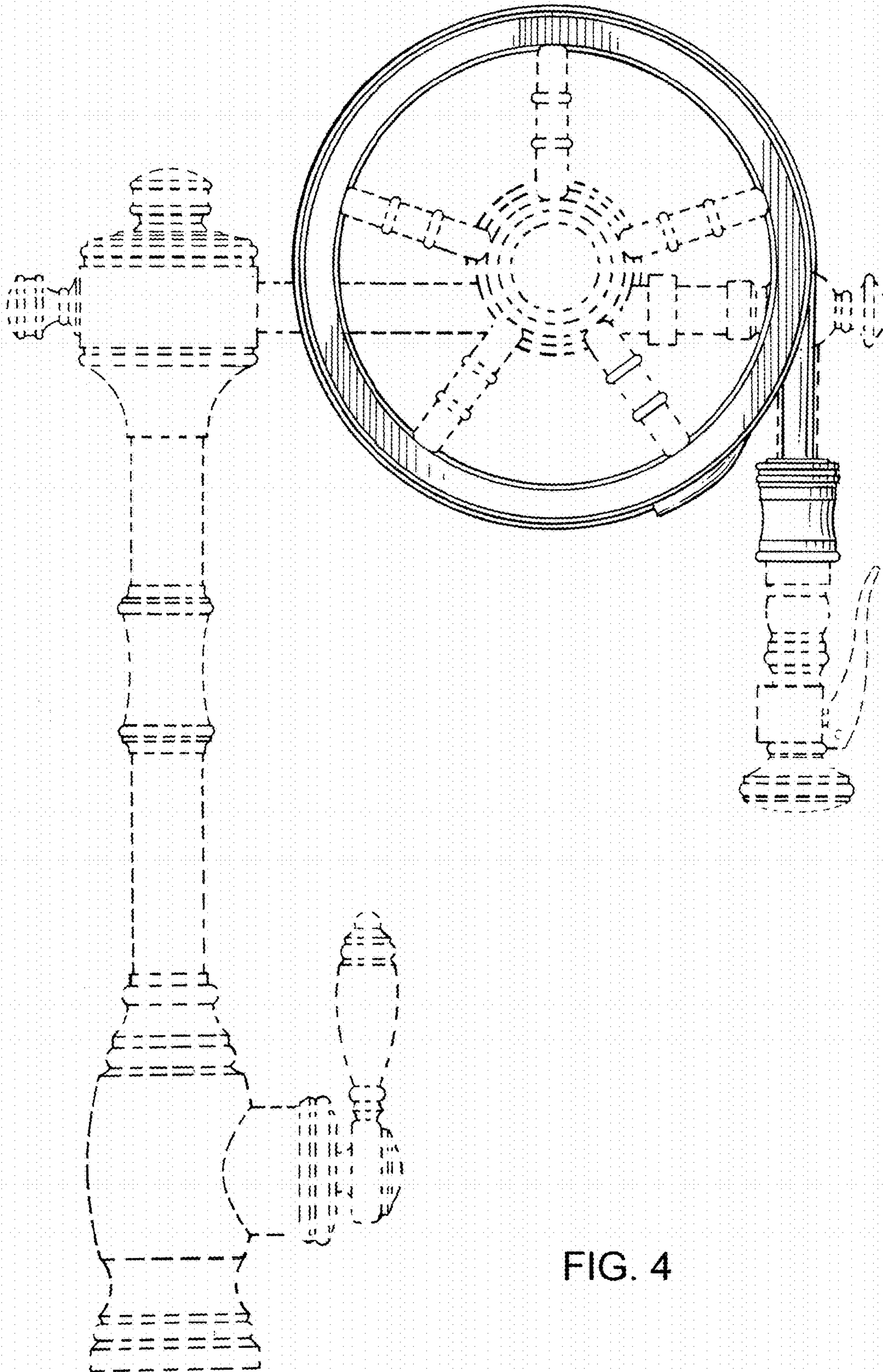


FIG. 4

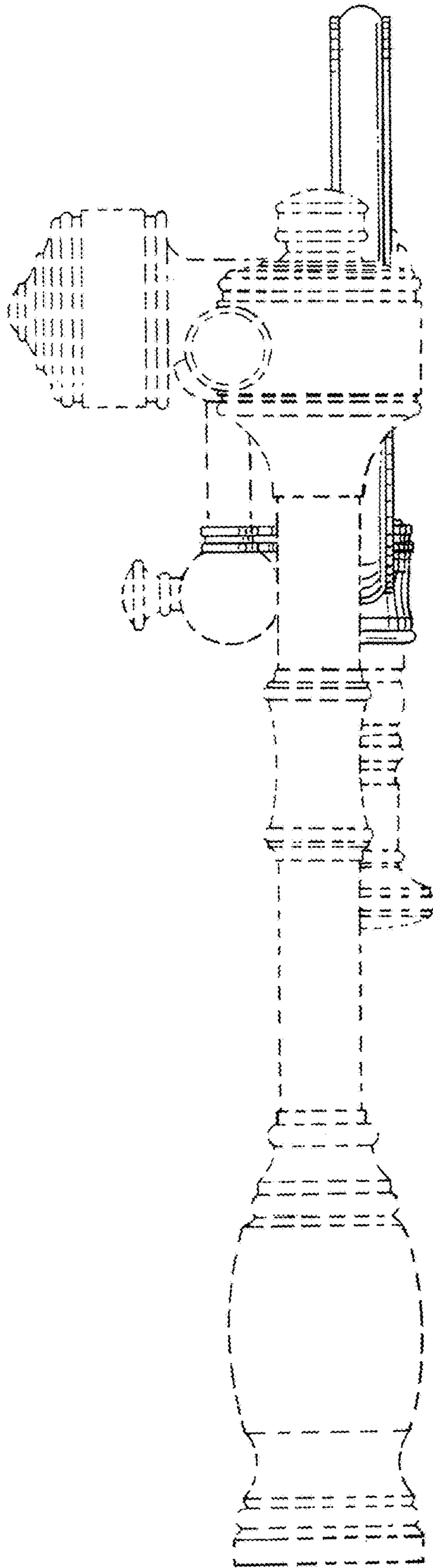


FIG. 5

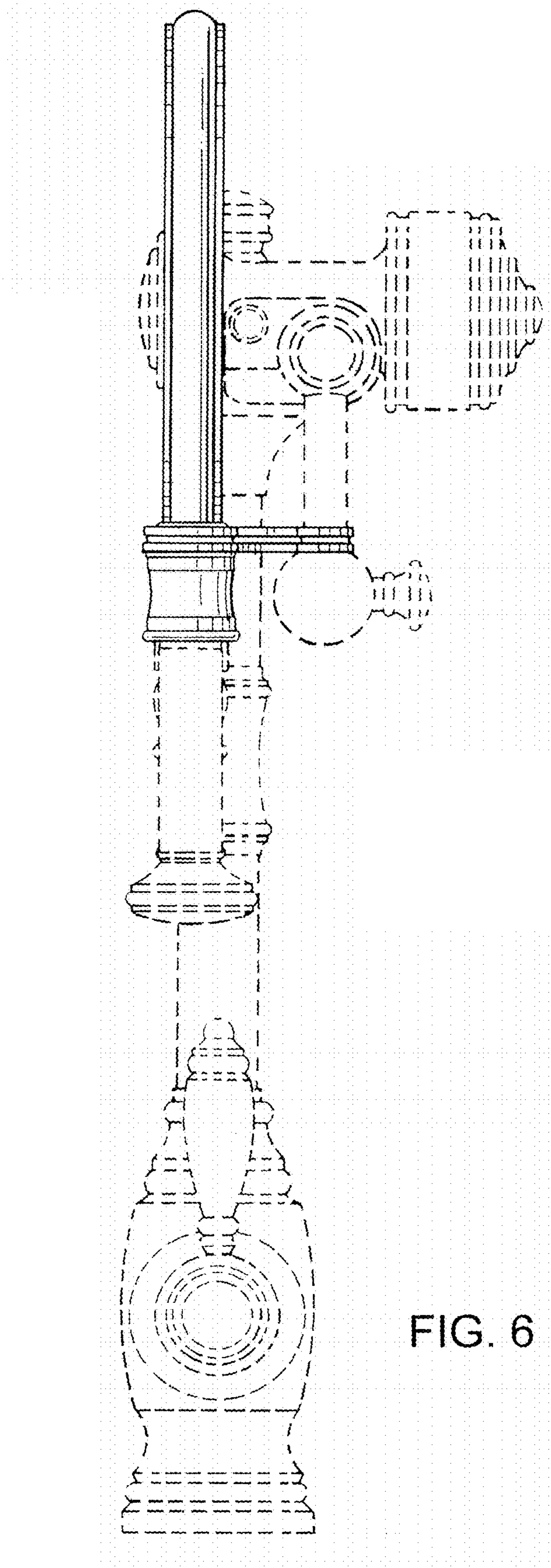


FIG. 6

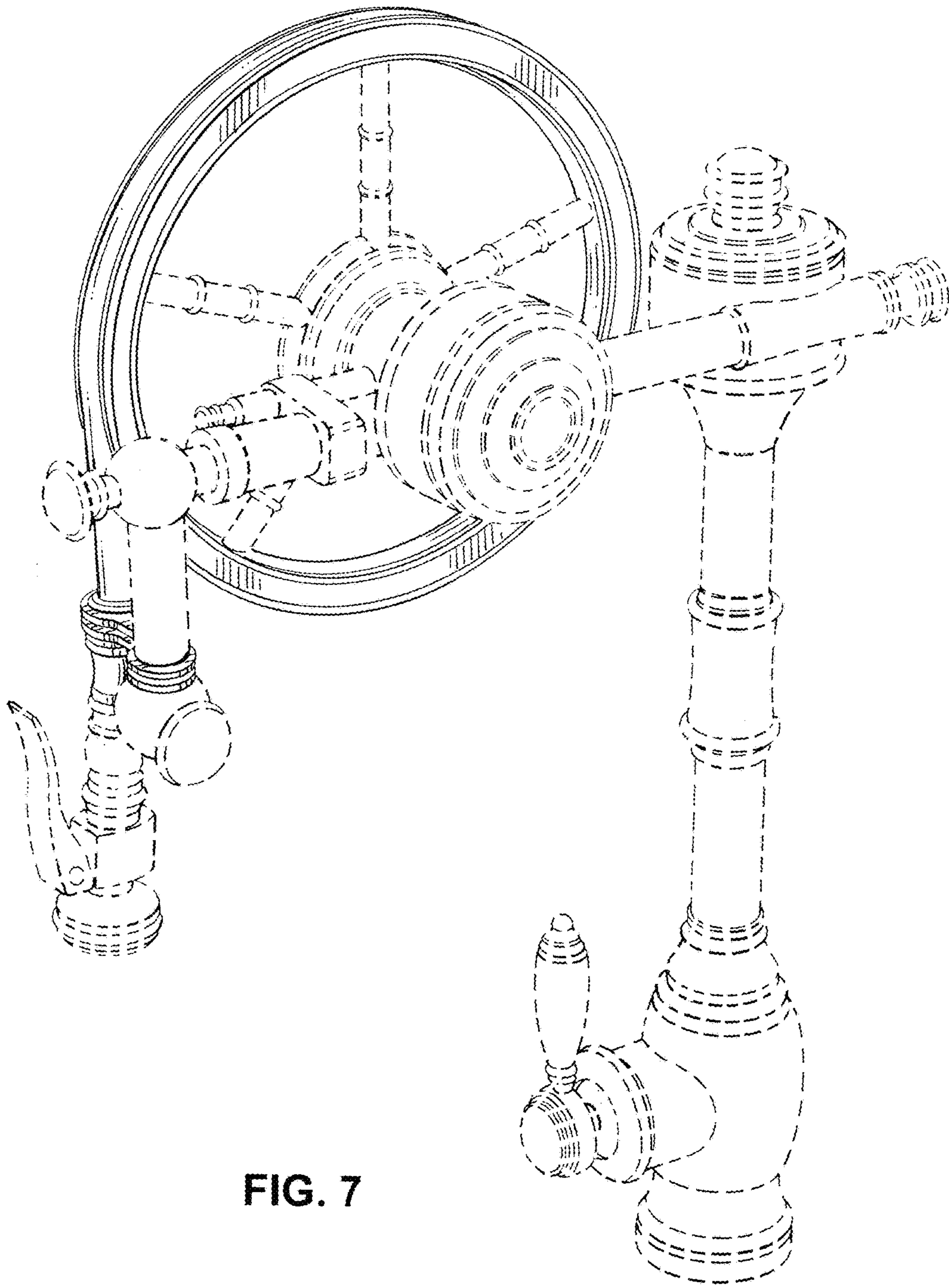


FIG. 7