



US00D779636S

(12) **United States Design Patent** (10) **Patent No.:** **US D779,636 S**
Gross (45) **Date of Patent:** **** Feb. 21, 2017**

(54) **ONE-WAY VALVE CAP**
(71) Applicant: **Matthew Gross**, Alta Loma, CA (US)
(72) Inventor: **Matthew Gross**, Alta Loma, CA (US)
(**) Term: **15 Years**
(21) Appl. No.: **29/557,685**
(22) Filed: **Mar. 10, 2016**
(51) **LOC (10) Cl.** **23-01**
(52) **U.S. Cl.**
USPC **D23/249**
(58) **Field of Classification Search**
USPC D15/199; D23/233, 234, 235, 236, 237,
D23/238, 239, 240, 241, 242, 243, 244,
D23/245, 246, 247, 248, 249, 250, 259,
D23/255; 4/431-435, 437, 438, 442, 661;
137/115.23, 596.14, 487.5, 343, 557, 554,
137/217; D10/74, 85; D8/27, 28, 29;
D24/129; 81/488
CPC H01M 2/365; H01J 2237/334; B01L
2300/0832; B01L 3/567; B23D
17/06; F16K 31/0672
See application file for complete search history.

5,586,670 A 12/1996 Greenwald
5,769,252 A 6/1998 Volpe
5,873,475 A 2/1999 Volpe
(Continued)

Primary Examiner — Cynthia Ramirez
Assistant Examiner — Michael Maharajh
(74) *Attorney, Agent, or Firm* — Kirk A. Buhler; Buhler & Associates

(57) **CLAIM**

The ornamental design for a one-way valve cap, as shown and described.

DESCRIPTION

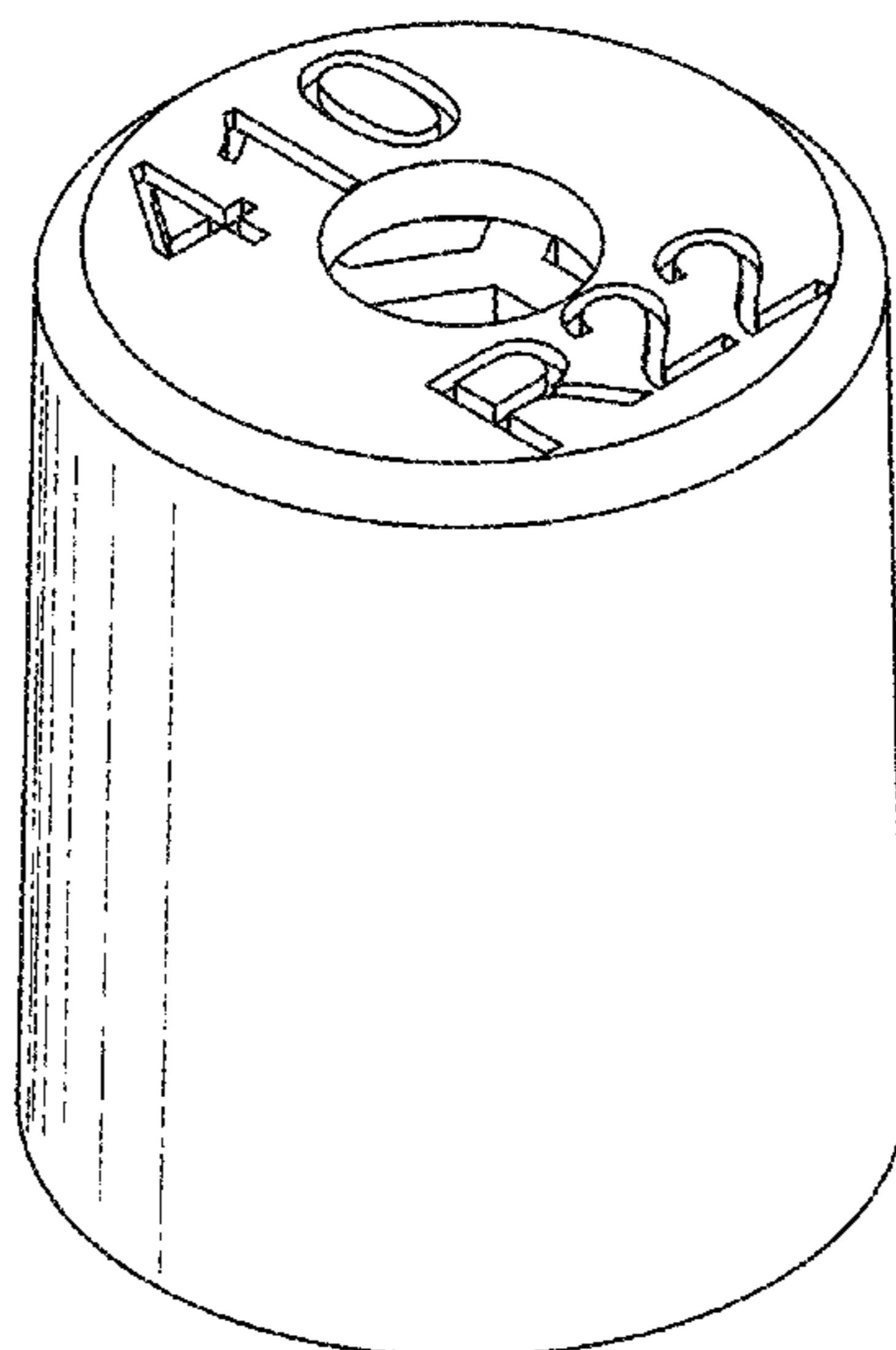
FIG. 1 is a top underside perspective view for a one-way valve cap showing my new design;
FIG. 2 is an underside perspective view thereof;
FIG. 3 is a top side view thereof;
FIG. 4 is a bottom side view thereof;
FIG. 5 is a front side sectional view taken along lines 5-5 from FIG. 4 thereof;
FIG. 6 is a right side sectional view taken along lines 6-6 from FIG. 4 thereof;
FIG. 7 is a top perspective exploded view at a reduced scale thereof;
FIG. 8 is a bottom perspective exploded view at a reduced scale thereof;
FIG. 9 is a front side view, the right side, left side and rear side views being the same image thereof, and
FIG. 10 is a bottom view of only the outer shell thereof;
FIG. 11 is a right side sectional view taken along lines 11-11 from FIG. 10, the left side sectional view being the same image thereof;
FIG. 12 is a top side view with the outer shell removed thereof;
FIG. 13 is a right side view with the outer shell removed, the left side view being the same image thereof; and,
FIG. 14 is a front side view with the outer shell removed, the rear side view being the same image thereof.

(56) **References Cited**

U.S. PATENT DOCUMENTS

445,755 A 2/1891 King
738,917 A 9/1903 Kempien
2,138,871 A 12/1938 Malluk
2,381,207 A 8/1945 Coleman
2,772,803 A 12/1956 Pasquariello
3,426,932 A 2/1969 Rouse
3,582,169 A 6/1971 Koenig
4,014,449 A 3/1977 Hadley et al.
4,690,292 A 9/1987 Henning
4,796,768 A 1/1989 Stuckey
4,984,698 A 1/1991 Stuckey
5,170,900 A 12/1992 Manera

1 Claim, 7 Drawing Sheets



(56)

References Cited

U.S. PATENT DOCUMENTS

6,032,811	A	3/2000	Marconi	
6,082,564	A	7/2000	Trout	
D585,255	S *	1/2009	Hu	D8/29
D592,922	S *	5/2009	Davidson	D8/29
D631,542	S *	1/2011	DeGross	D24/129
D632,148	S *	2/2011	Li	D8/29
D632,149	S *	2/2011	Li	D8/29
8,905,060	B2	12/2014	Schlesinger et al.	
D736,891	S *	8/2015	Morita	D23/233
D767,100	S *	9/2016	Borne	D23/249
D773,266	S *	12/2016	Hsieh	D8/27
2014/0094070	A1 *	4/2014	Ouellette	H01R 13/187 439/843
2015/0013504	A1 *	1/2015	Chen	B25B 13/06 81/124.4

* cited by examiner

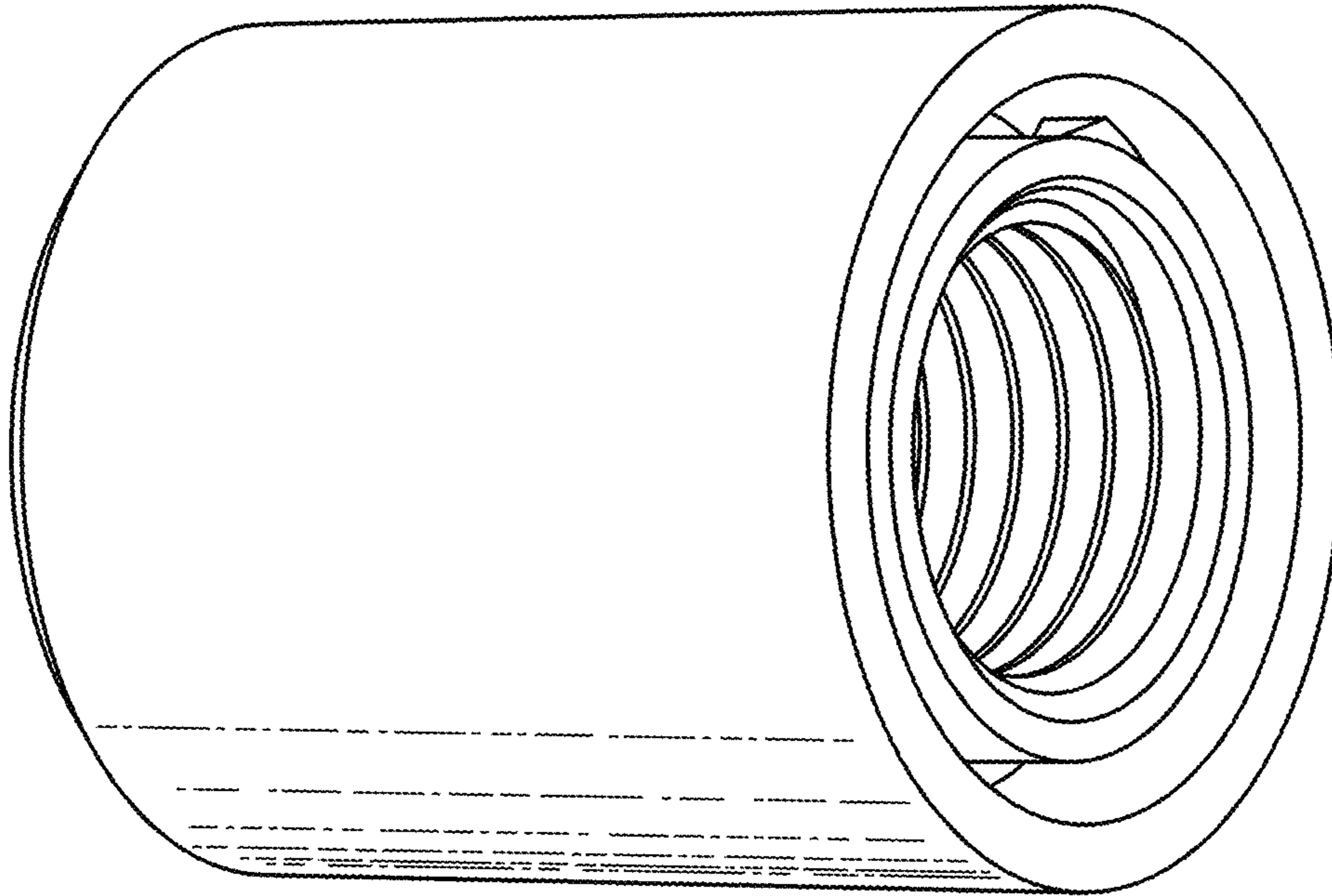


FIG. 2

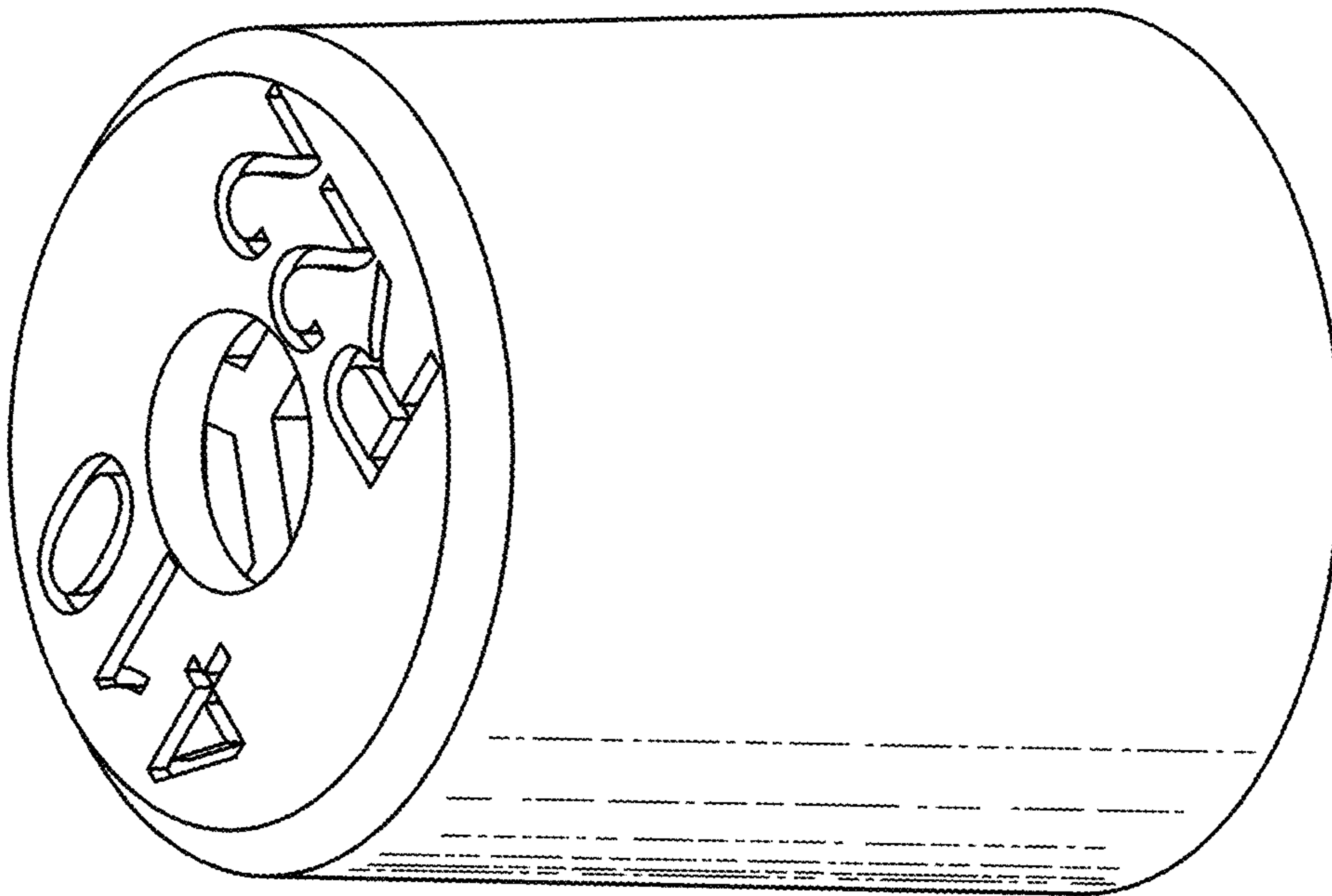


FIG. 1



FIG. 3

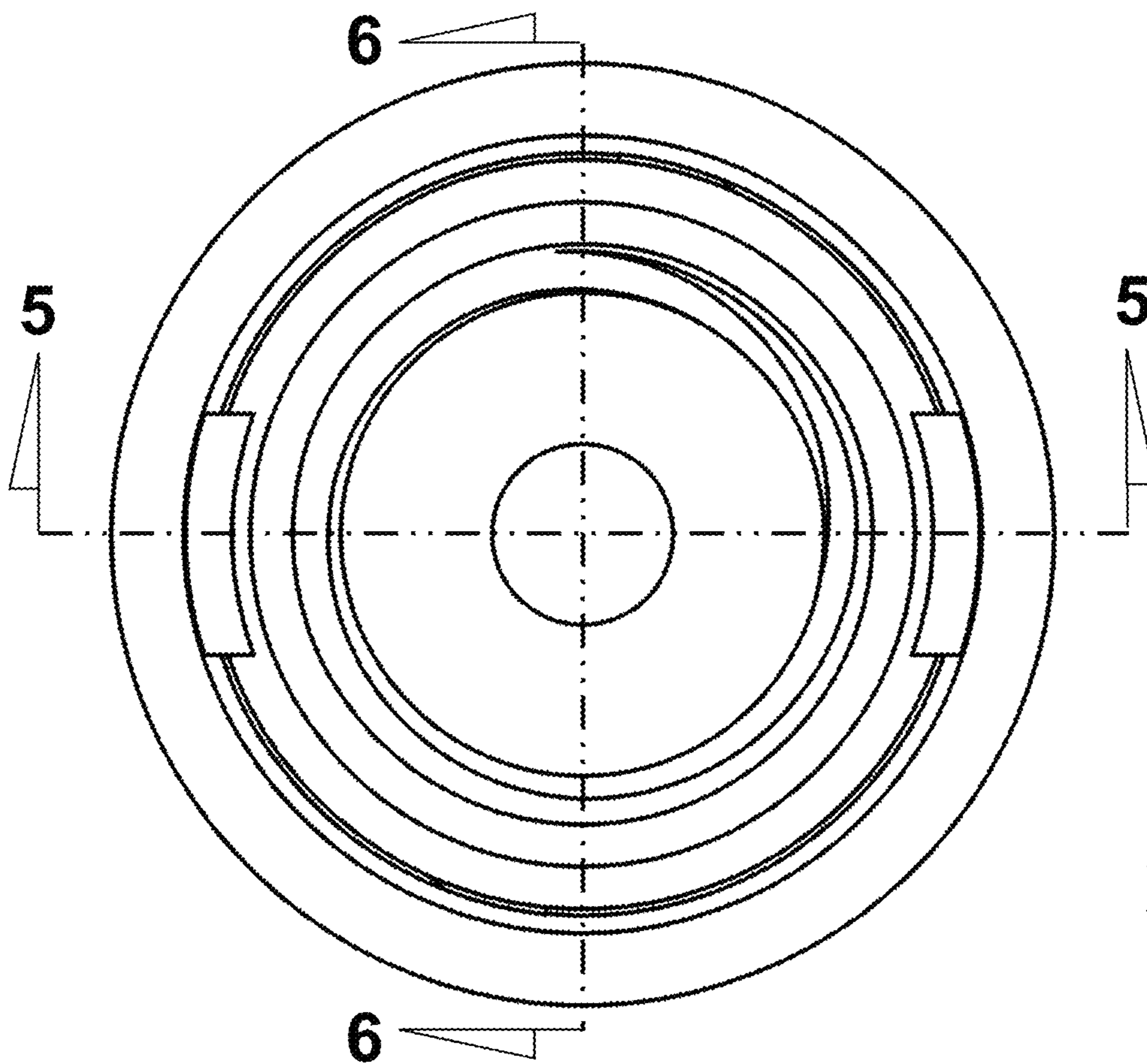


FIG. 4

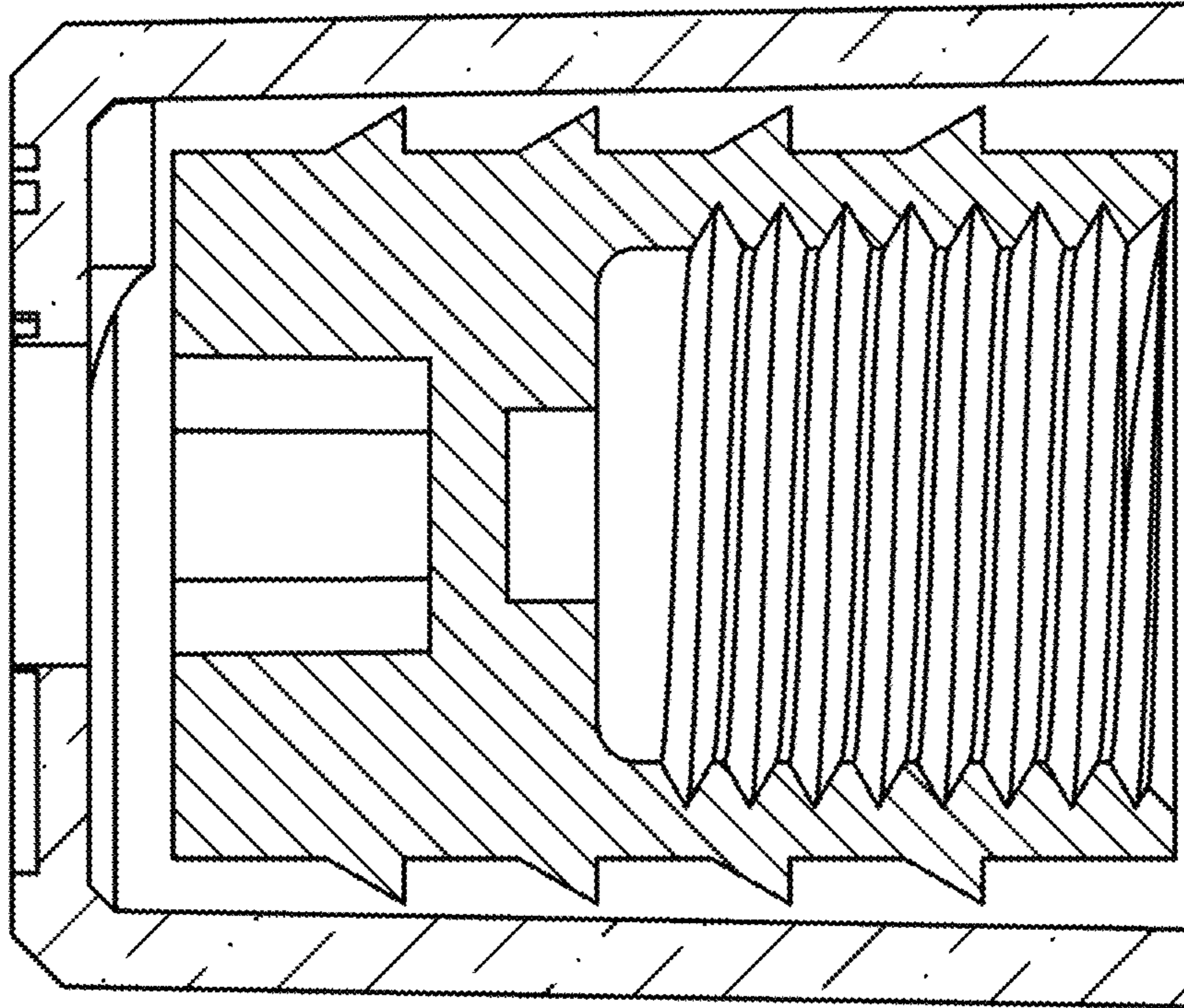


FIG. 6

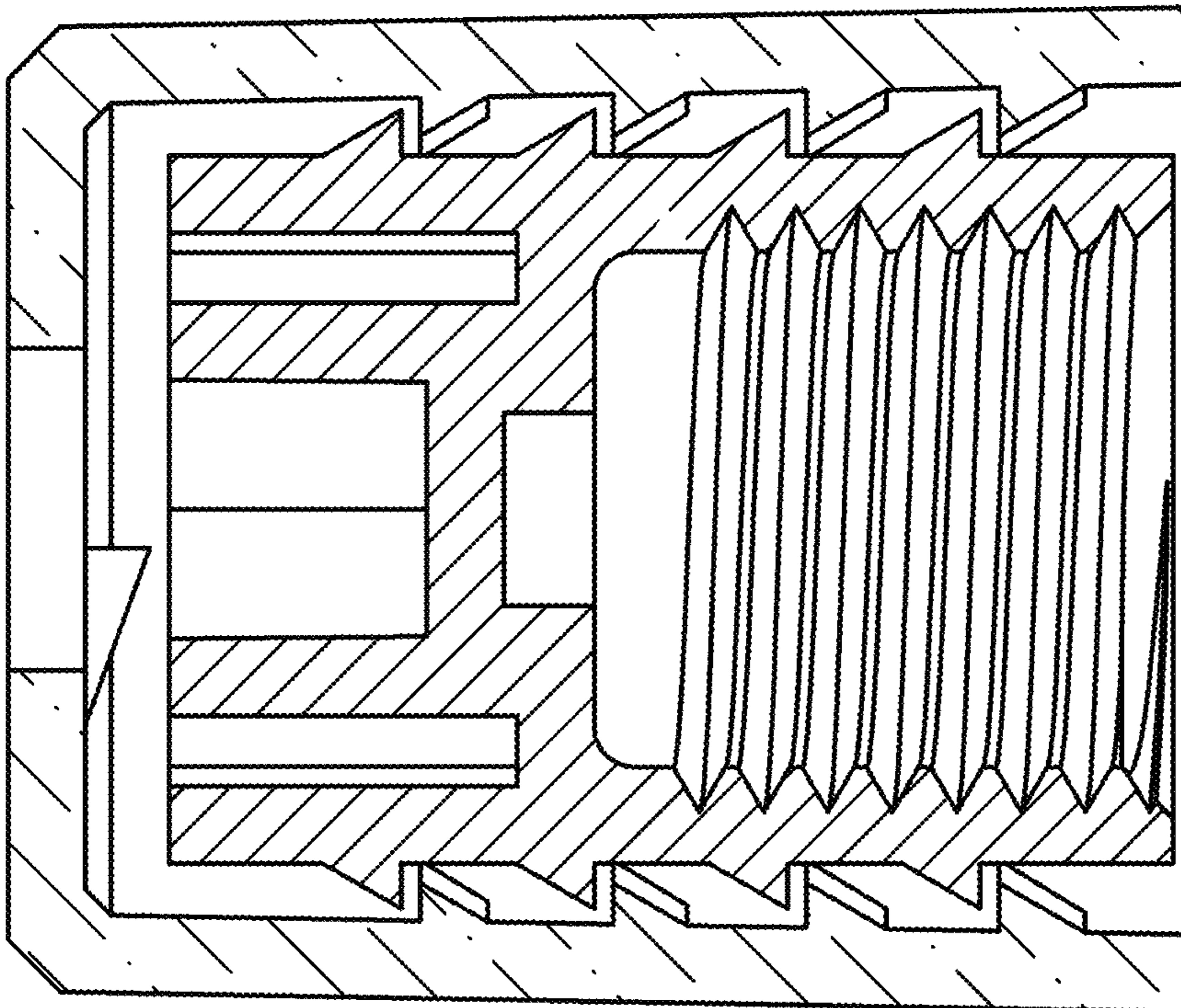


FIG. 5

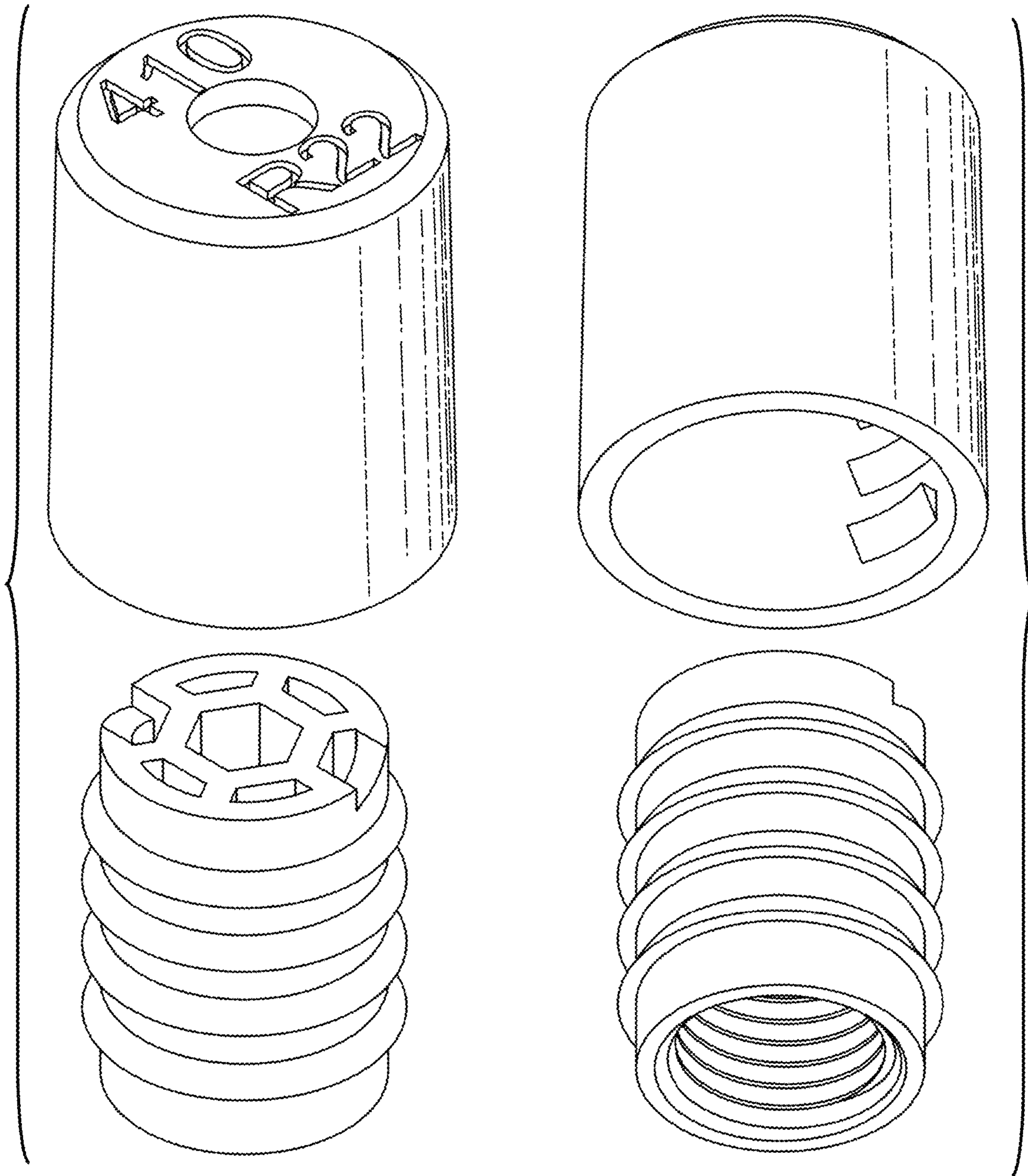


FIG. 7

FIG. 8

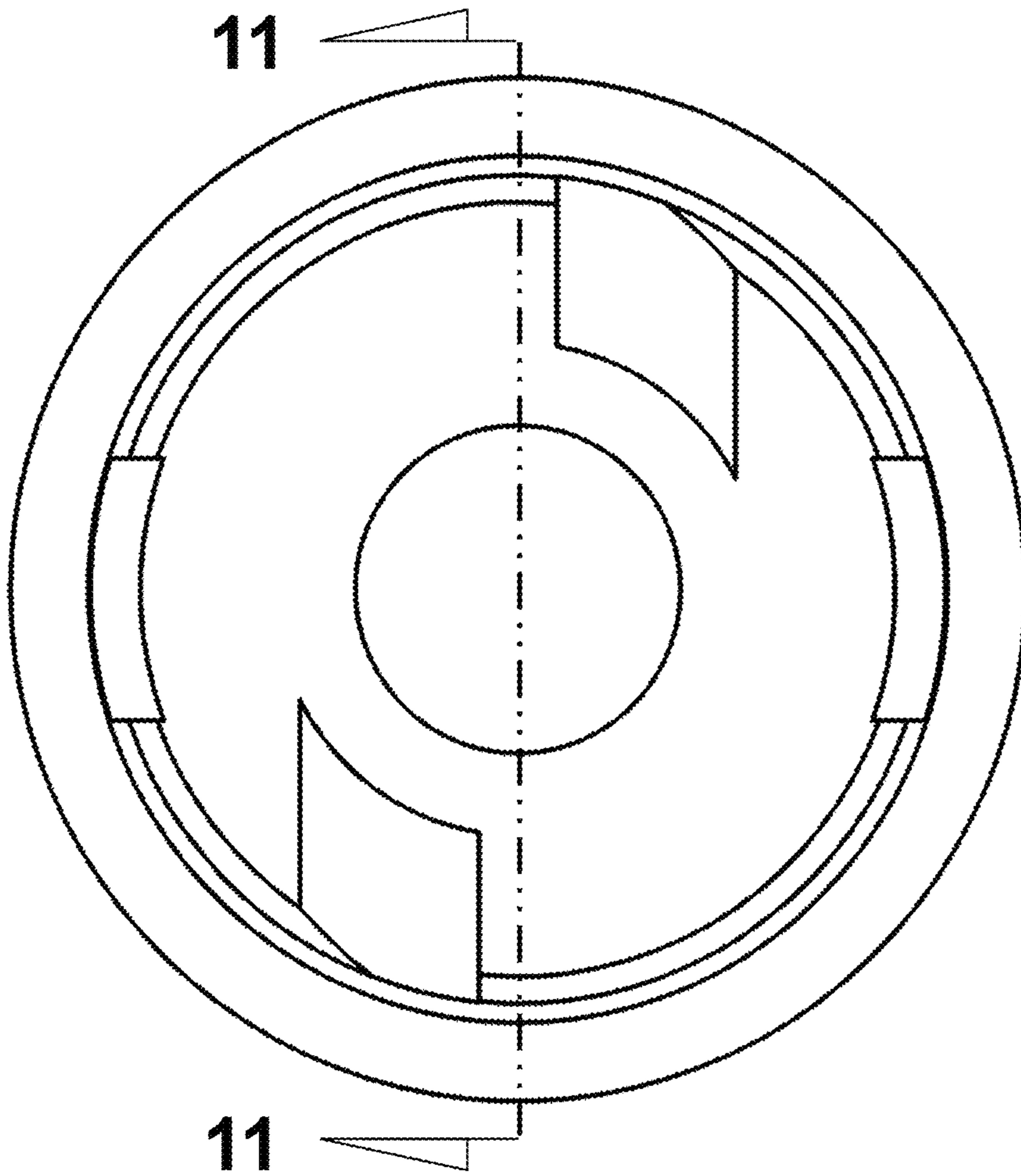


FIG. 10

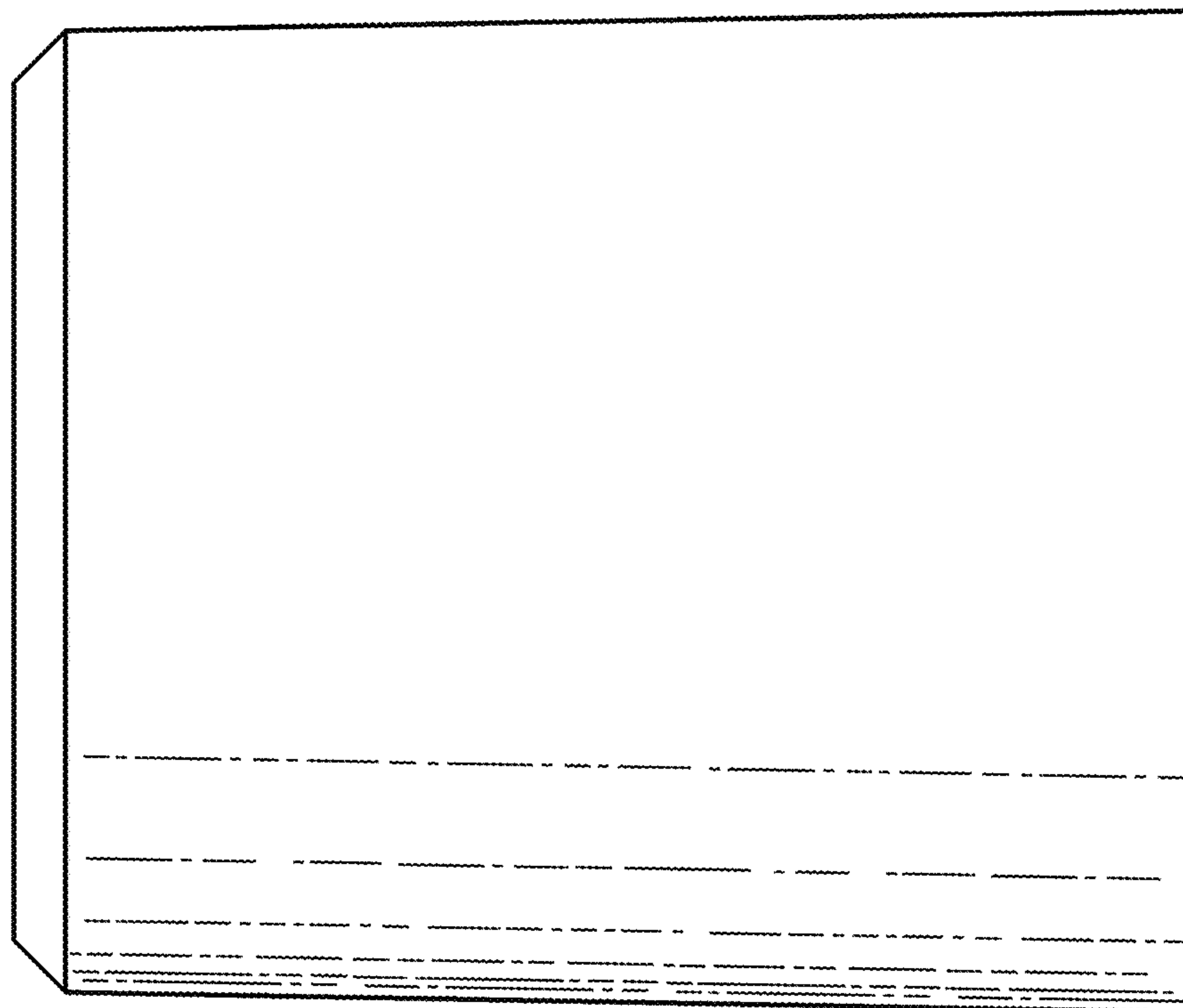


FIG. 9

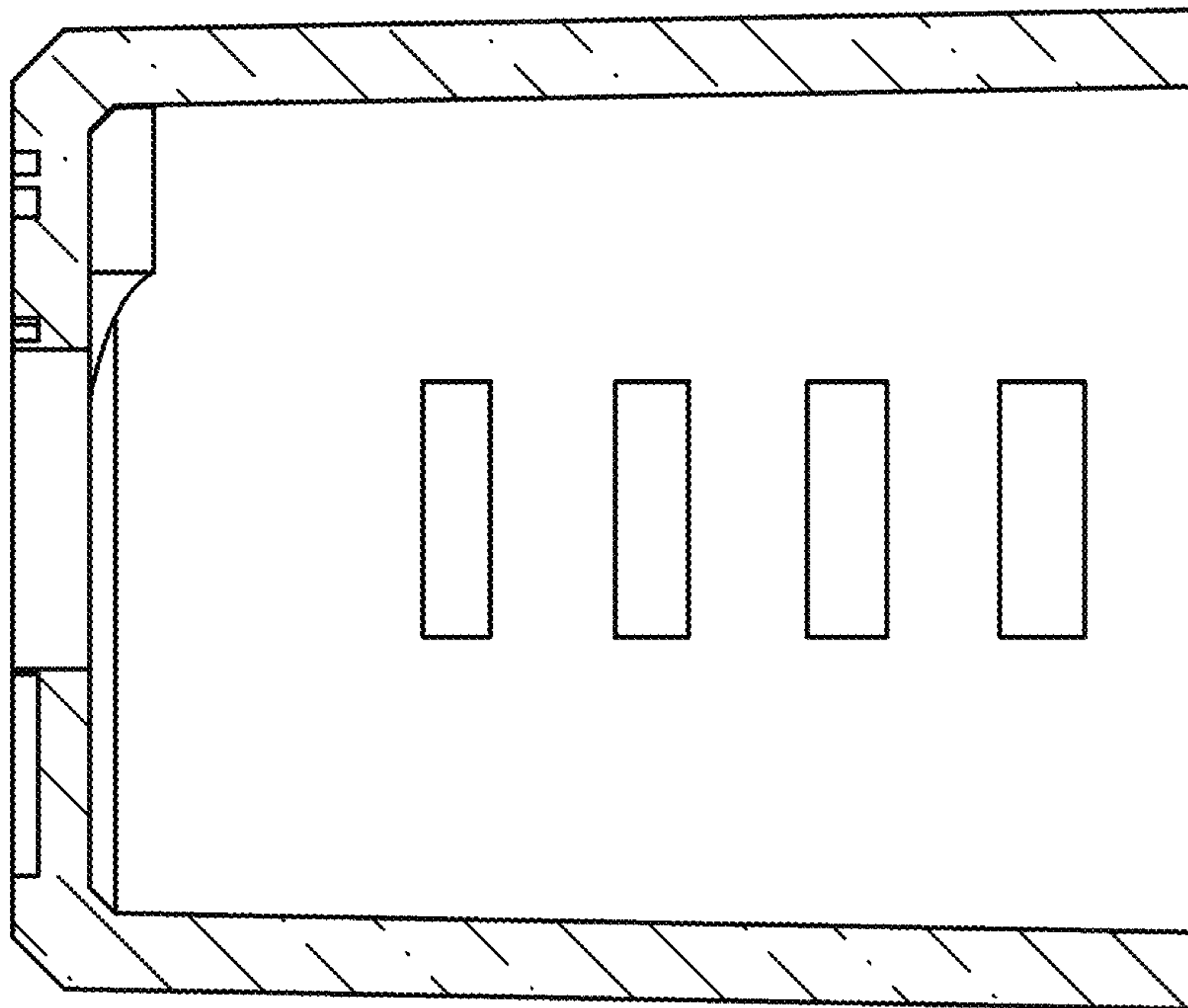


FIG. 11

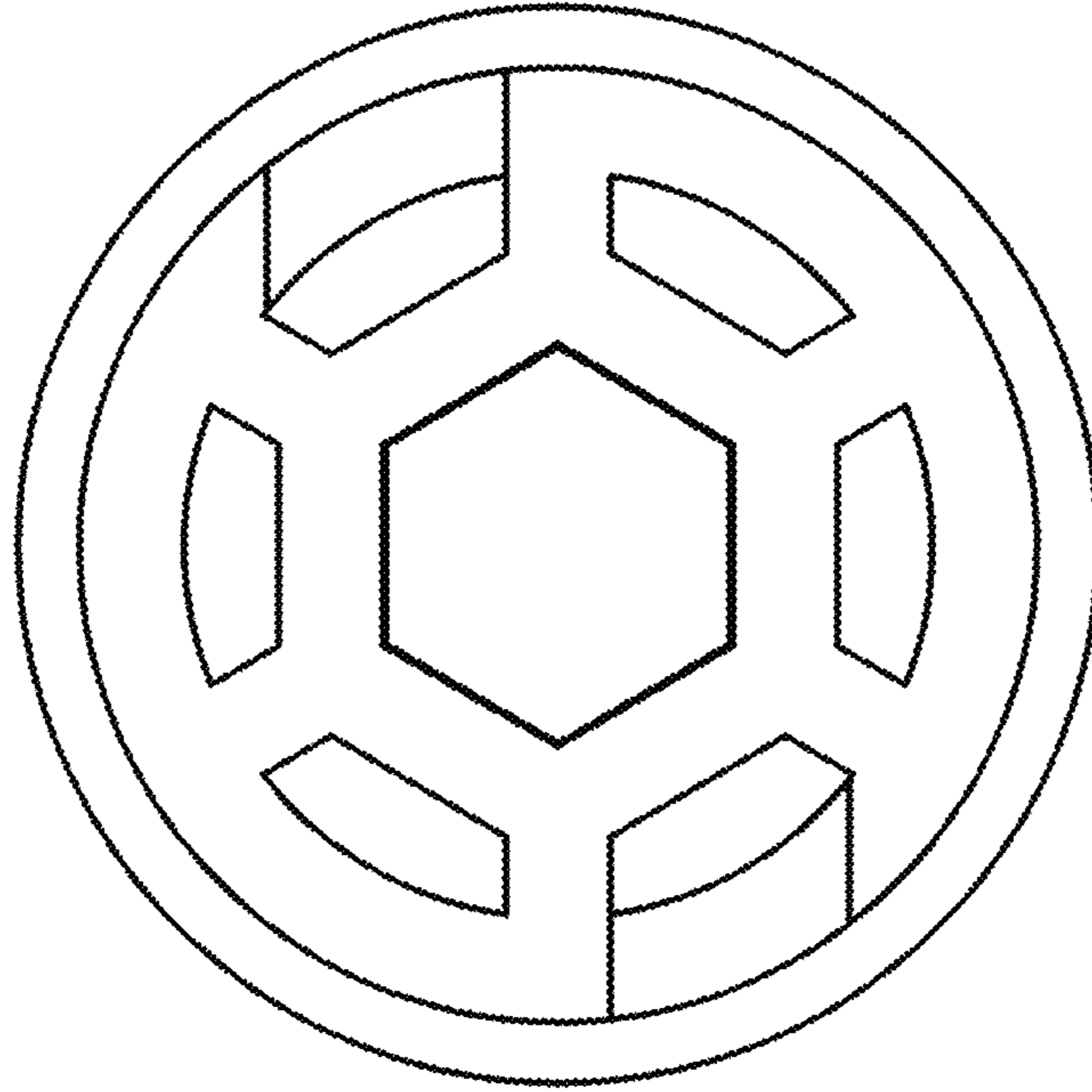


FIG. 12

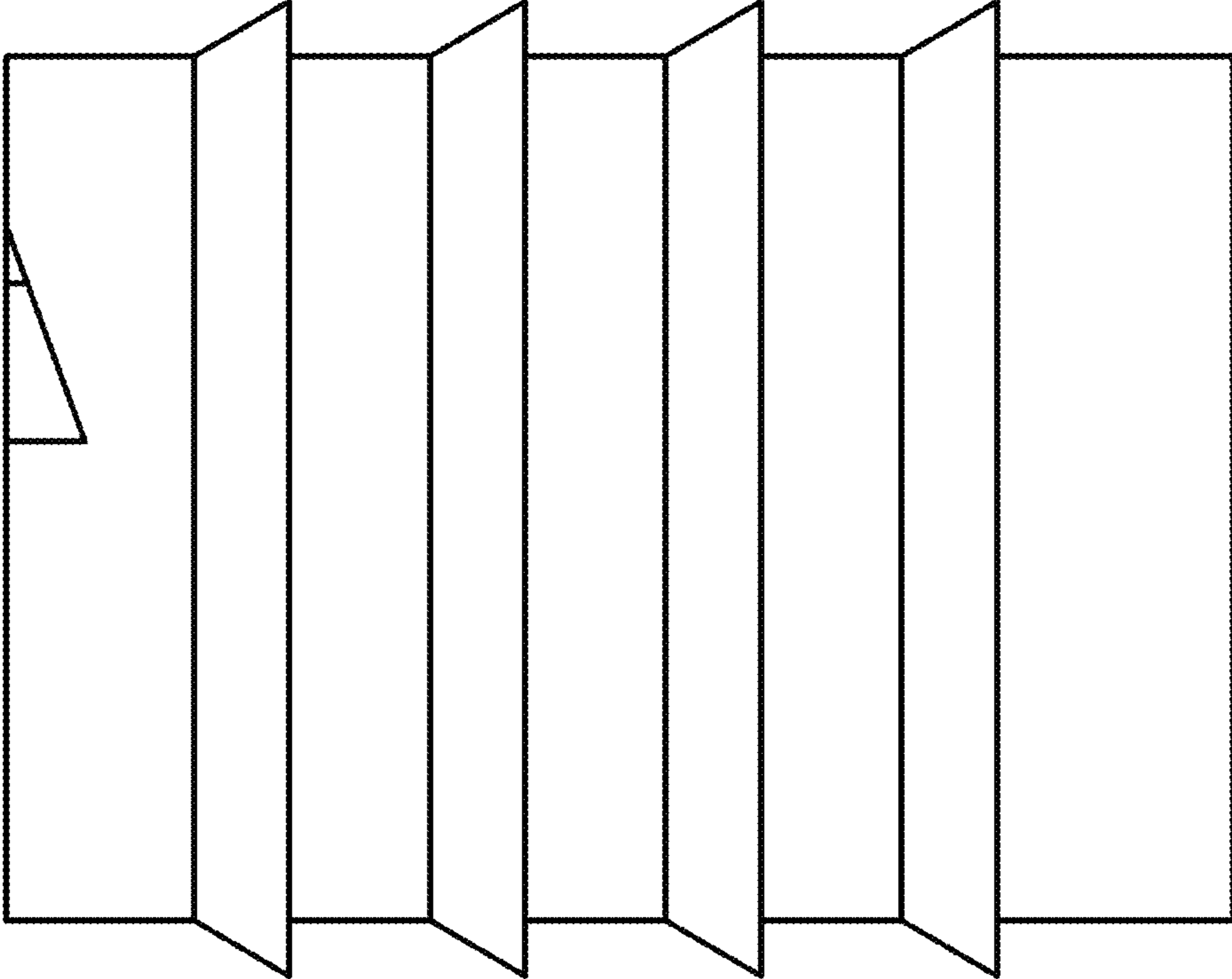


FIG. 14

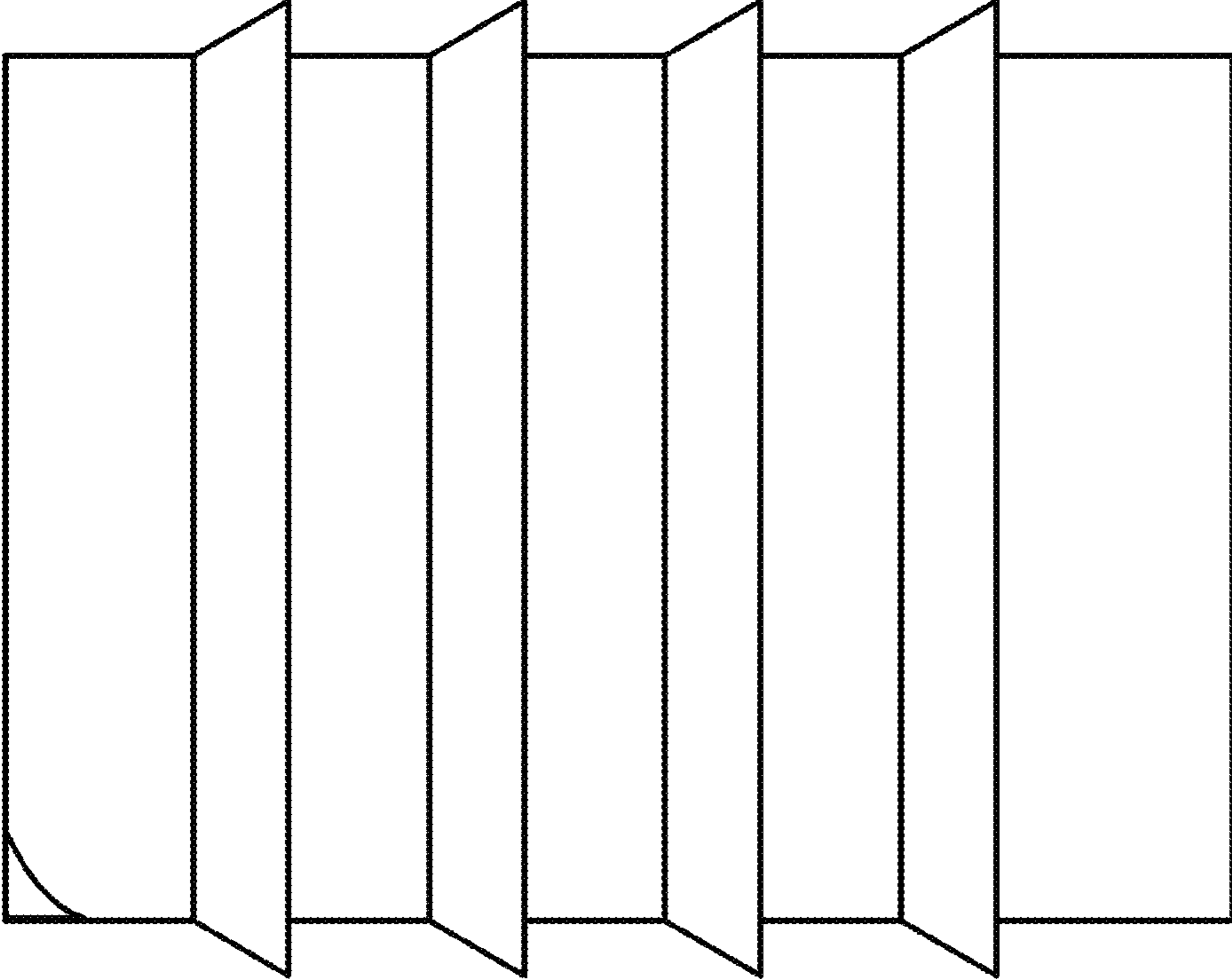


FIG. 13