



US00D779634S

(12) **United States Design Patent**
Chen

(10) **Patent No.:** **US D779,634 S**

(45) **Date of Patent:** **** Feb. 21, 2017**

- (54) **WATER SPRAYING GUN**
- (71) Applicant: **Chin-Yuan Chen**, Changhua (TW)
- (72) Inventor: **Chin-Yuan Chen**, Changhua (TW)
- (73) Assignee: **Shin Tai Spurt Water of the Garden Tools Co Ltd.**, Changhua (TW)
- (**) Term: **15 Years**
- (21) Appl. No.: **29/547,370**
- (22) Filed: **Dec. 3, 2015**
- (51) **LOC (10) Cl.** **23-01**
- (52) **U.S. Cl.**
USPC **D23/226**
- (58) **Field of Classification Search**
USPC D23/213, 223, 226; 239/526; 4/615
CPC B05B 1/005; B05B 1/3013; B05B 9/01
See application file for complete search history.

- D453,954 S * 2/2002 Wang D23/226
- D468,396 S * 1/2003 Chen D23/226
- 8,490,896 B2 * 7/2013 Chen B05B 1/06
239/443
- 9,038,928 B2 * 5/2015 Ye B05B 9/01
239/526
- D766,400 S * 9/2016 Chen D23/226

* cited by examiner

Primary Examiner — Robin V Webster

(74) *Attorney, Agent, or Firm* — Che-Yang Chen; Law Offices of Scott Warmuth

(57) **CLAIM**

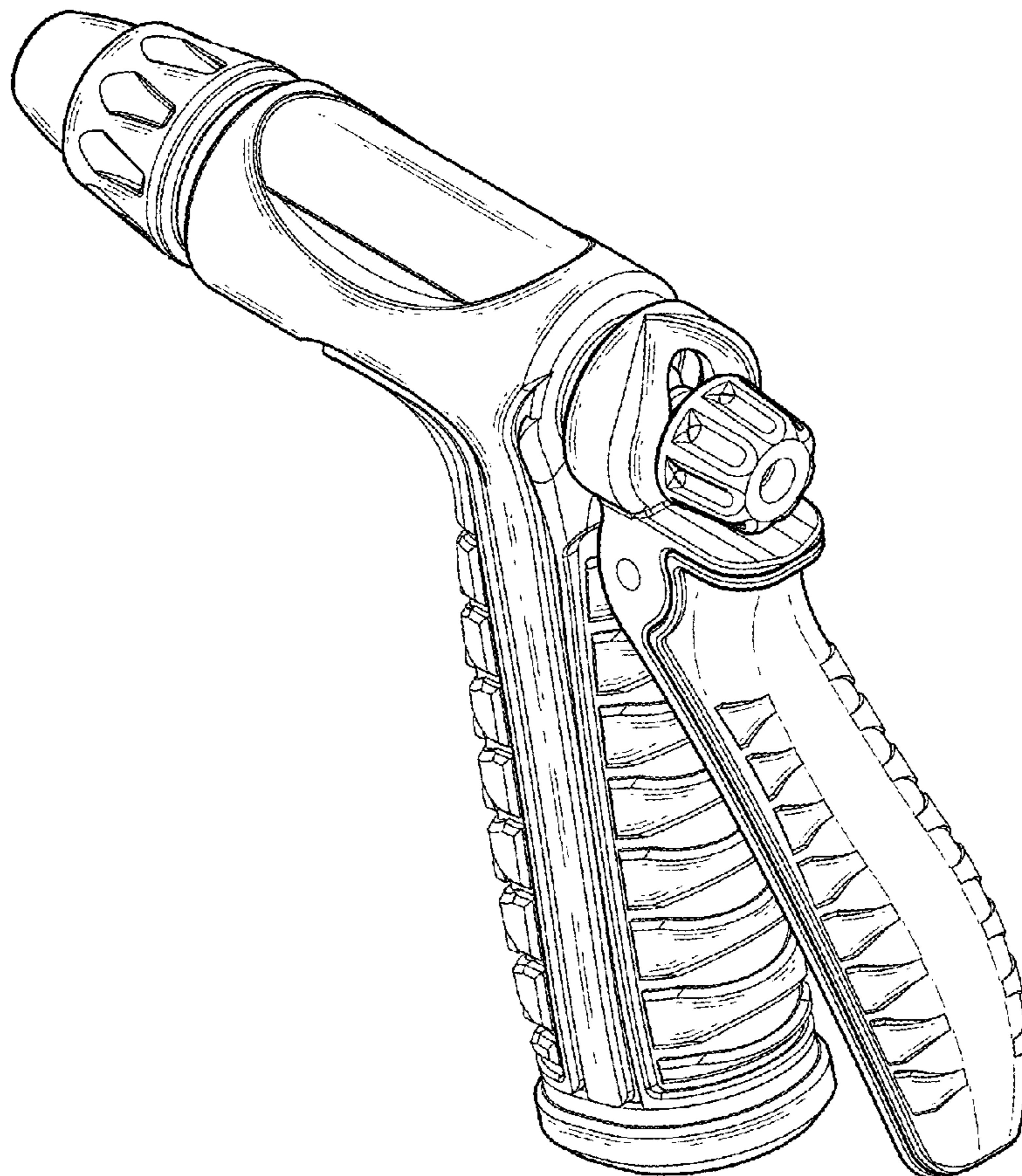
The ornamental design for a water spraying gun, as shown and described.

DESCRIPTION

FIG. 1 is a perspective view of a water spraying gun showing my new design;
 FIG. 2 is a front elevational view thereof;
 FIG. 3 is a rear elevational view thereof;
 FIG. 4 is a left side elevational view thereof;
 FIG. 5 is a right side elevational view thereof;
 FIG. 6 is a top plan view thereof; and,
 FIG. 7 is a bottom plan view thereof.

1 Claim, 4 Drawing Sheets

- (56) **References Cited**
U.S. PATENT DOCUMENTS
D434,107 S * 11/2000 Kuo D23/226
D453,549 S * 2/2002 Wang D23/226



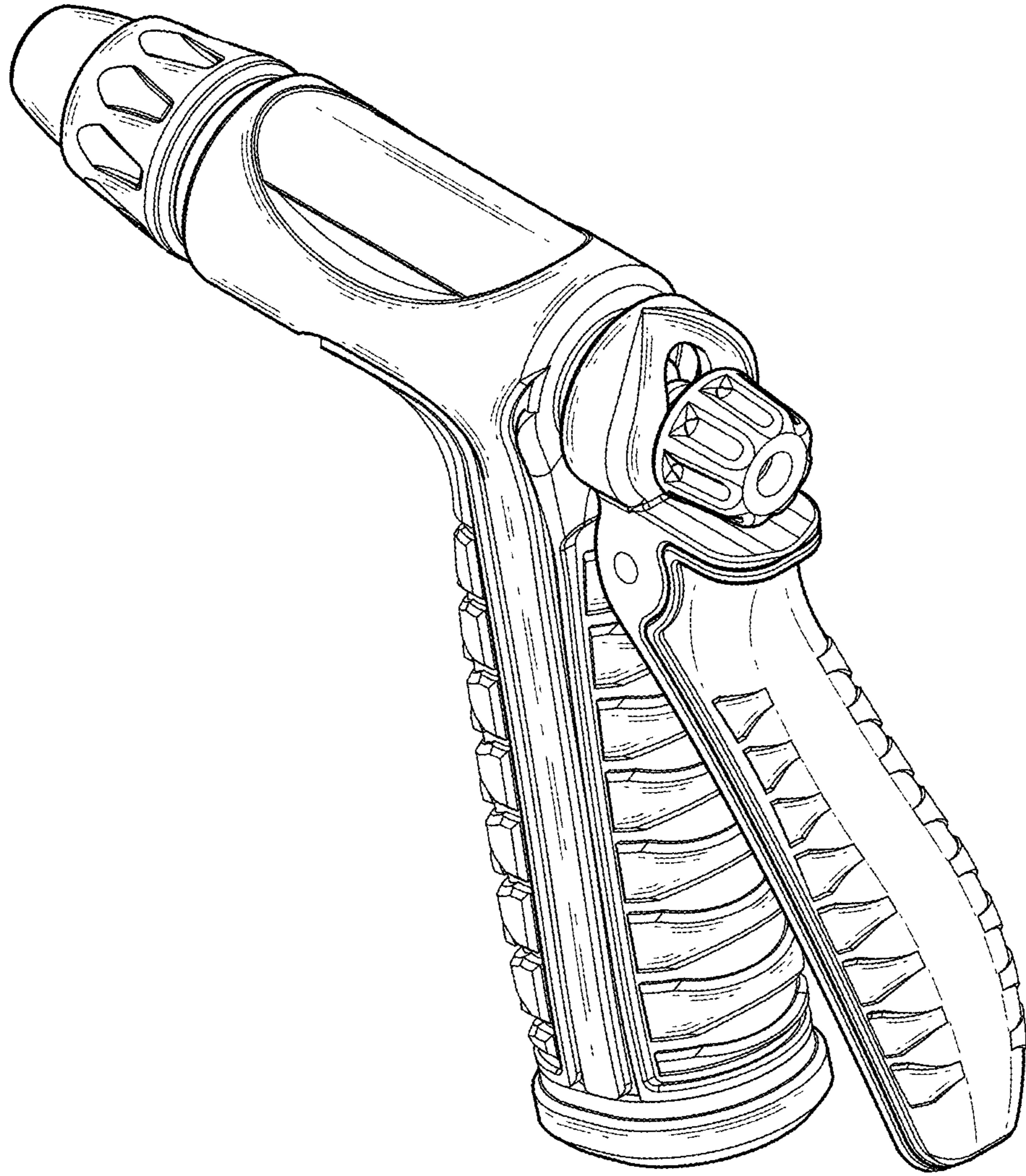


FIG. 1

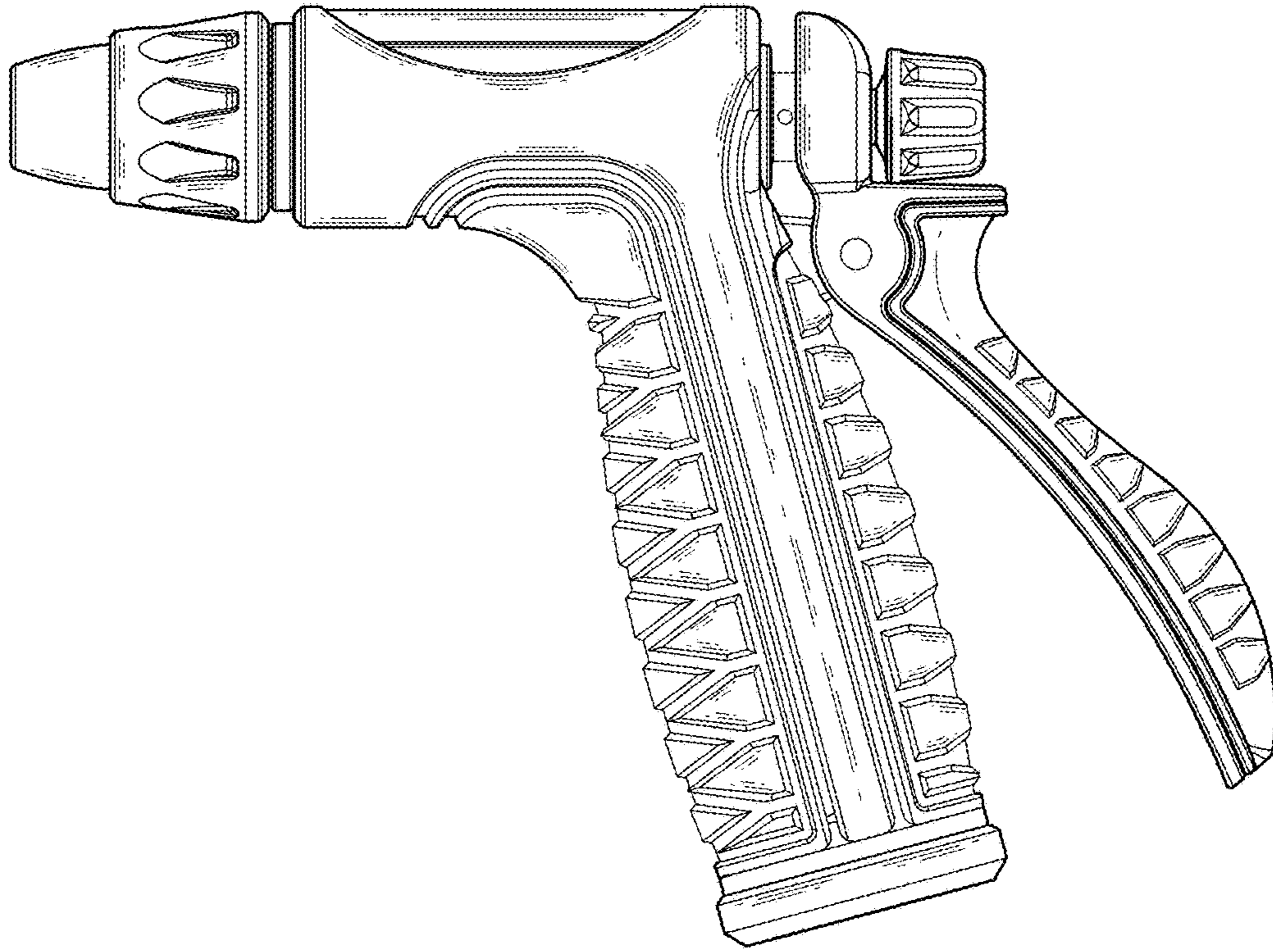


FIG. 2

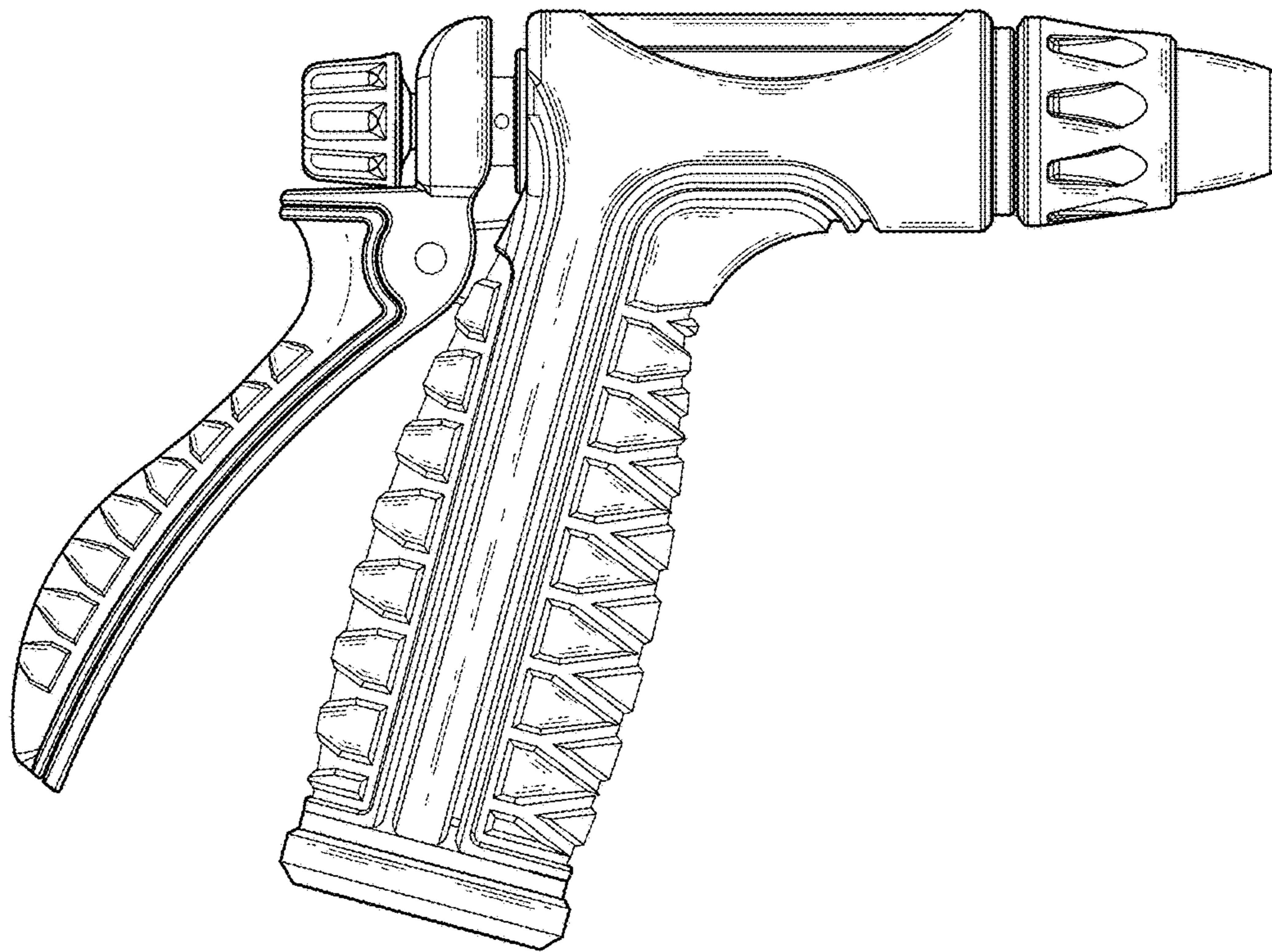


FIG. 3

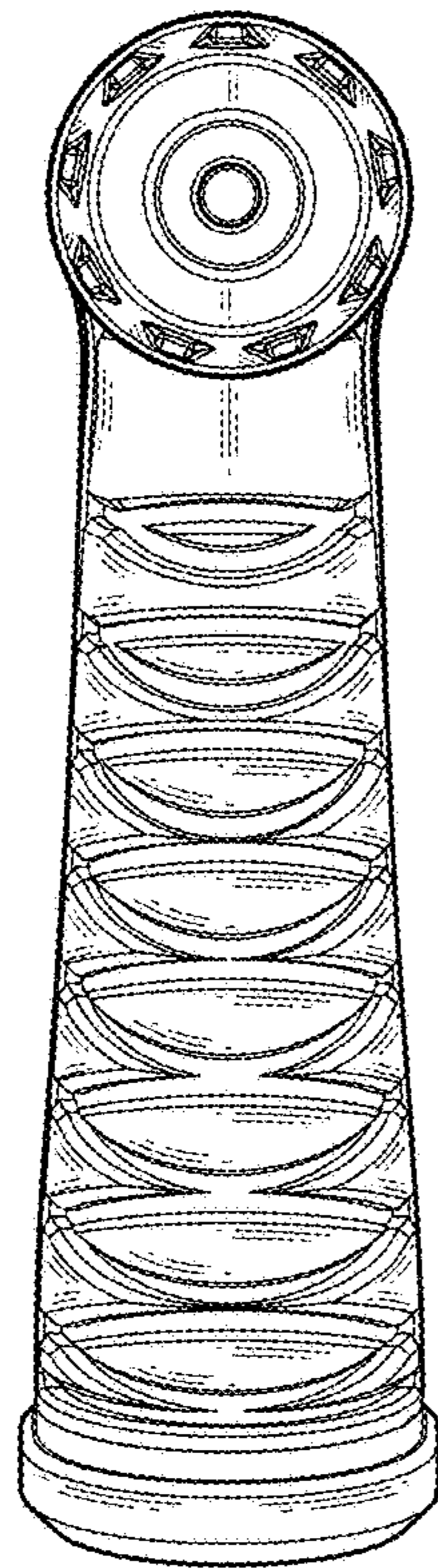


FIG. 4

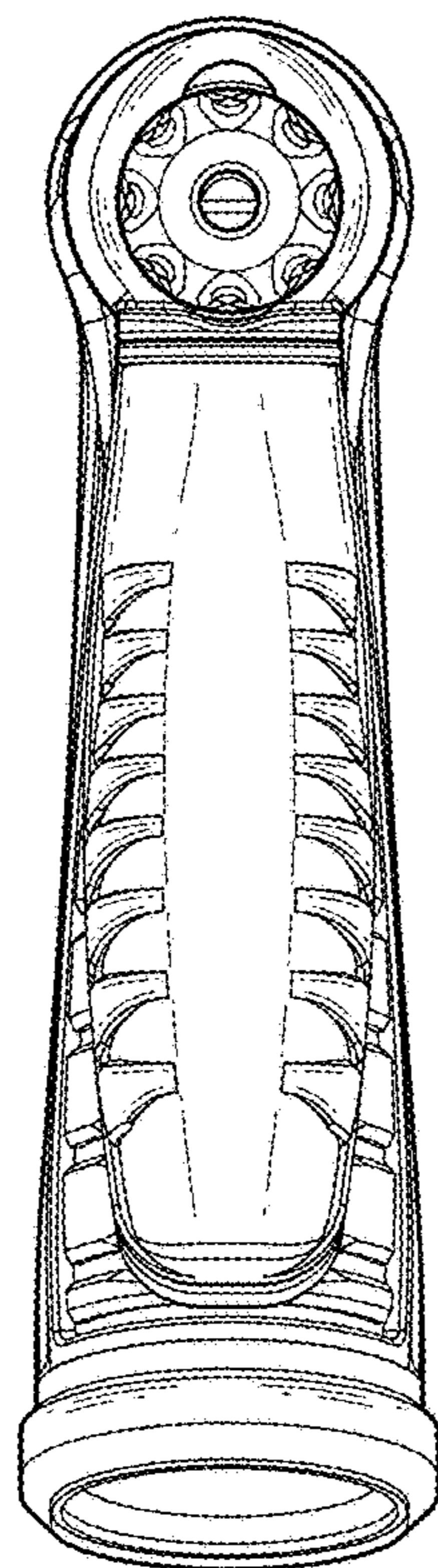


FIG. 5

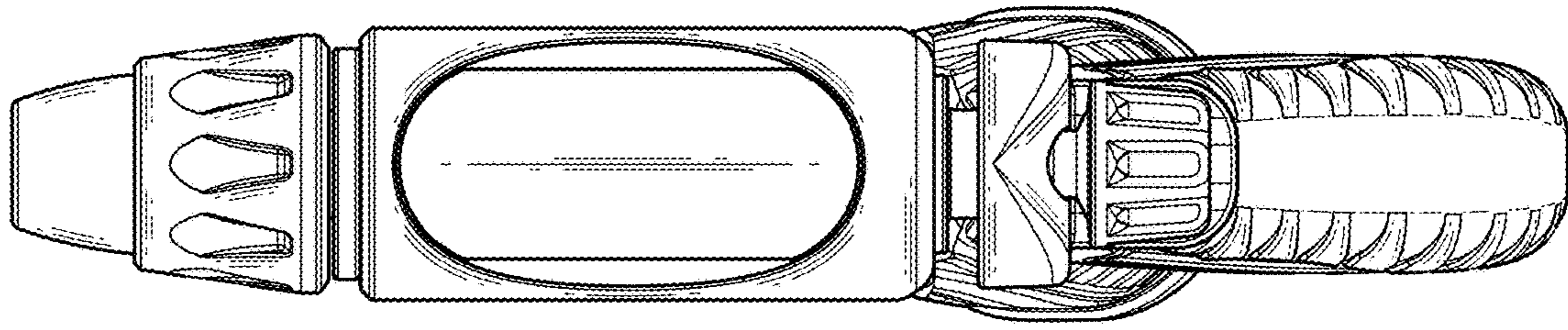


FIG. 6

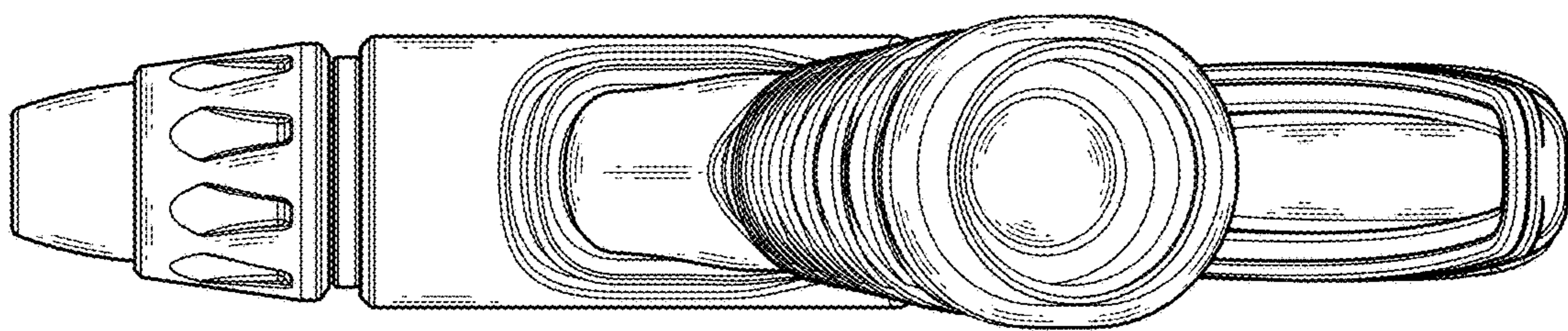


FIG. 7