



US00D779633S

(12) **United States Design Patent** (10) **Patent No.:** **US D779,633 S**  
**Chu** (45) **Date of Patent:** **\*\* Feb. 21, 2017**

(54) **SAND FILTRATION AQUARIUM**  
(71) Applicant: **Wing Fat Chu**, New Territories (HK)  
(72) Inventor: **Wing Fat Chu**, New Territories (HK)  
(\*\*) Term: **15 Years**  
(21) Appl. No.: **29/547,911**  
(22) Filed: **Dec. 9, 2015**  
(30) **Foreign Application Priority Data**  
Jun. 17, 2015 (CN) ..... 2015 3 0201481  
(51) **LOC (10) Cl.** ..... **23-01**  
(52) **U.S. Cl.**  
USPC ..... **D23/210**  
(58) **Field of Classification Search**  
USPC ..... D23/202, 207, 210, 221, 223, 214, 209  
CPC ..... A62C 37/12; A62C 35/68; B65G 64/04;  
B65G 1/00; B65D 85/00; B65D  
1/00; B65D 88/54; B05B 7/2416; B05B  
7/2483; C02F 1/003; C02F 1/283; C02F  
9/005; A01K 63/045  
See application file for complete search history.

(56) **References Cited**  
U.S. PATENT DOCUMENTS  
D210,122 S \* 2/1968 Kelley ..... D23/210  
4,421,644 A \* 12/1983 Gedye ..... A01K 63/04  
210/167.21  
4,687,575 A \* 8/1987 Grose ..... A01K 63/045  
119/260  
4,859,345 A \* 8/1989 Inagaki ..... C02F 1/02  
210/167.11  
5,176,824 A \* 1/1993 Willinger ..... A01K 63/045  
119/260  
D353,439 S \* 12/1994 Smith ..... D23/209  
5,397,463 A \* 3/1995 Woltmann ..... A01K 63/045  
119/260

5,453,182 A \* 9/1995 Kikuta ..... A01K 63/045  
119/259  
D368,297 S \* 3/1996 Dunlap ..... D23/210  
5,632,887 A \* 5/1997 Gargas ..... A01K 63/045  
210/151  
5,775,260 A \* 7/1998 Jansen ..... A01K 63/006  
119/246  
D414,242 S \* 9/1999 Carter ..... D23/210  
2003/0205512 A1 \* 11/2003 Chen ..... A01K 63/045  
210/167.22  
2004/0050759 A1 \* 3/2004 Ogawa ..... A01K 63/045  
210/97  
2006/0102537 A1 \* 5/2006 Hochgesang ..... A01K 63/045  
210/167.21  
2007/0295654 A1 \* 12/2007 Allis ..... A01K 63/042  
210/167.23  
2008/0004181 A1 \* 1/2008 Yoshikawa ..... A01K 63/04  
504/150  
2011/0162585 A1 \* 7/2011 Tominaga ..... A01K 63/045  
119/259

(Continued)

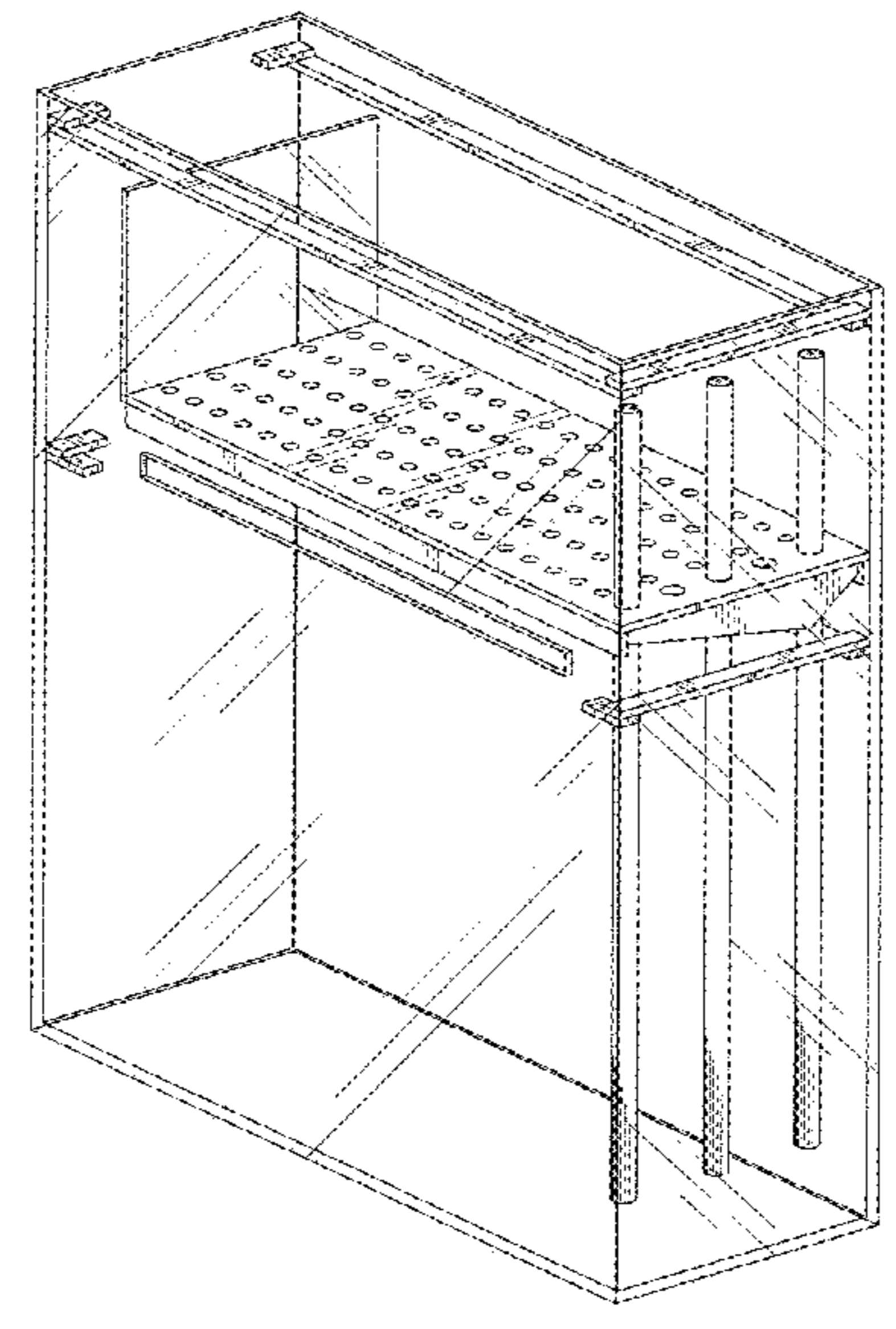
*Primary Examiner* — Robin V Webster  
*Assistant Examiner* — Rachel Voorhies  
(74) *Attorney, Agent, or Firm* — Mark M. Friedman

(57) **CLAIM**  
The ornamental design for a sand filtration aquarium, as shown.

**DESCRIPTION**

FIG. 1 is a front view of a sand filtration aquarium showing my design;  
FIG. 2 is a back view thereof,  
FIG. 3 is a left view thereof;  
FIG. 4 is a right view thereof;  
FIG. 5 is a top view thereof;  
FIG. 6 is a bottom view thereof; and,  
FIG. 7 is an isometric view thereof.

**1 Claim, 6 Drawing Sheets**



(56)

**References Cited**

U.S. PATENT DOCUMENTS

2013/0180460 A1\* 7/2013 Stiles, Jr. .... A01K 63/045  
119/227  
2013/0220932 A1\* 8/2013 Marioni ..... A01K 63/04  
210/663

\* cited by examiner

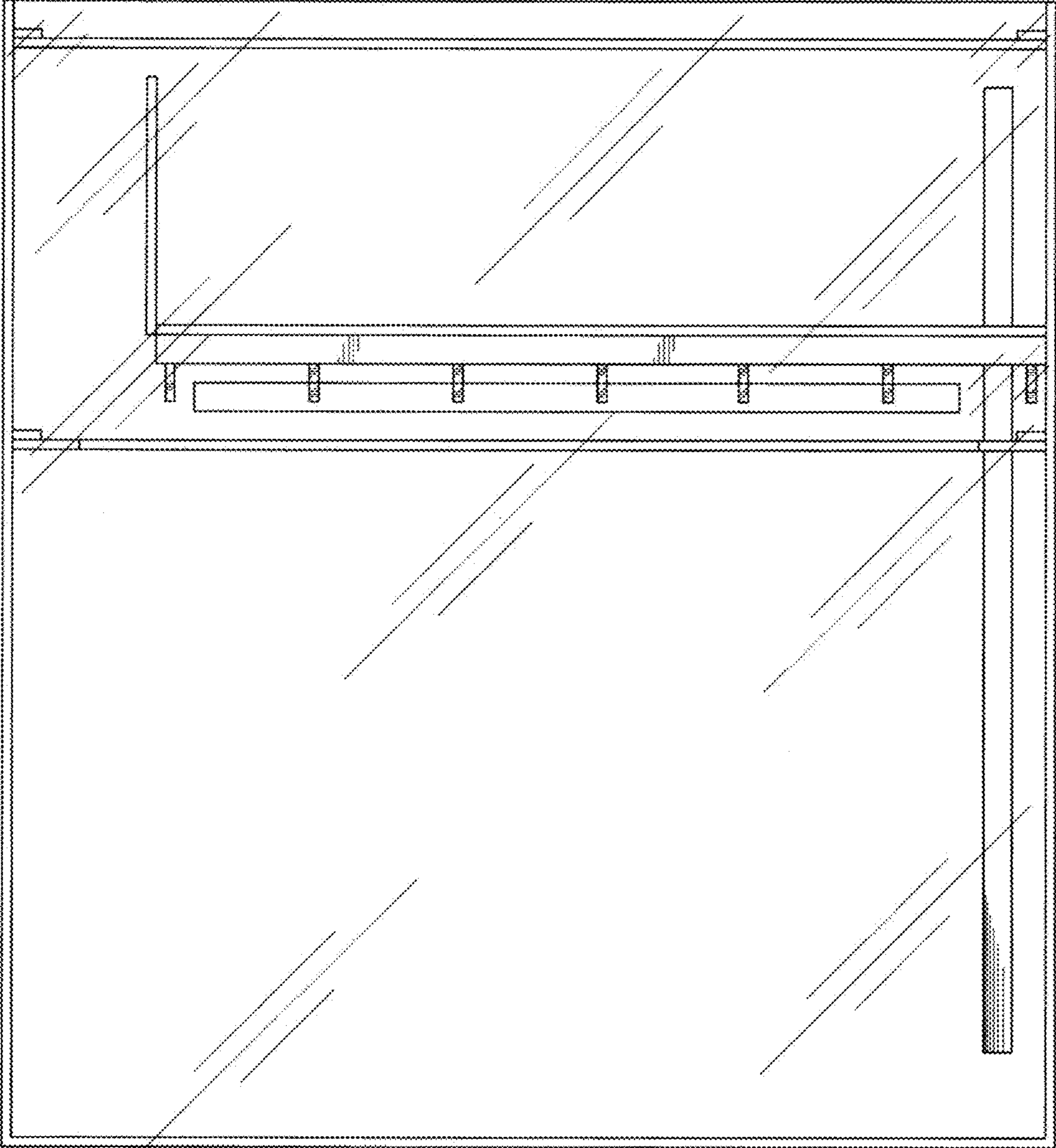


Fig. 1

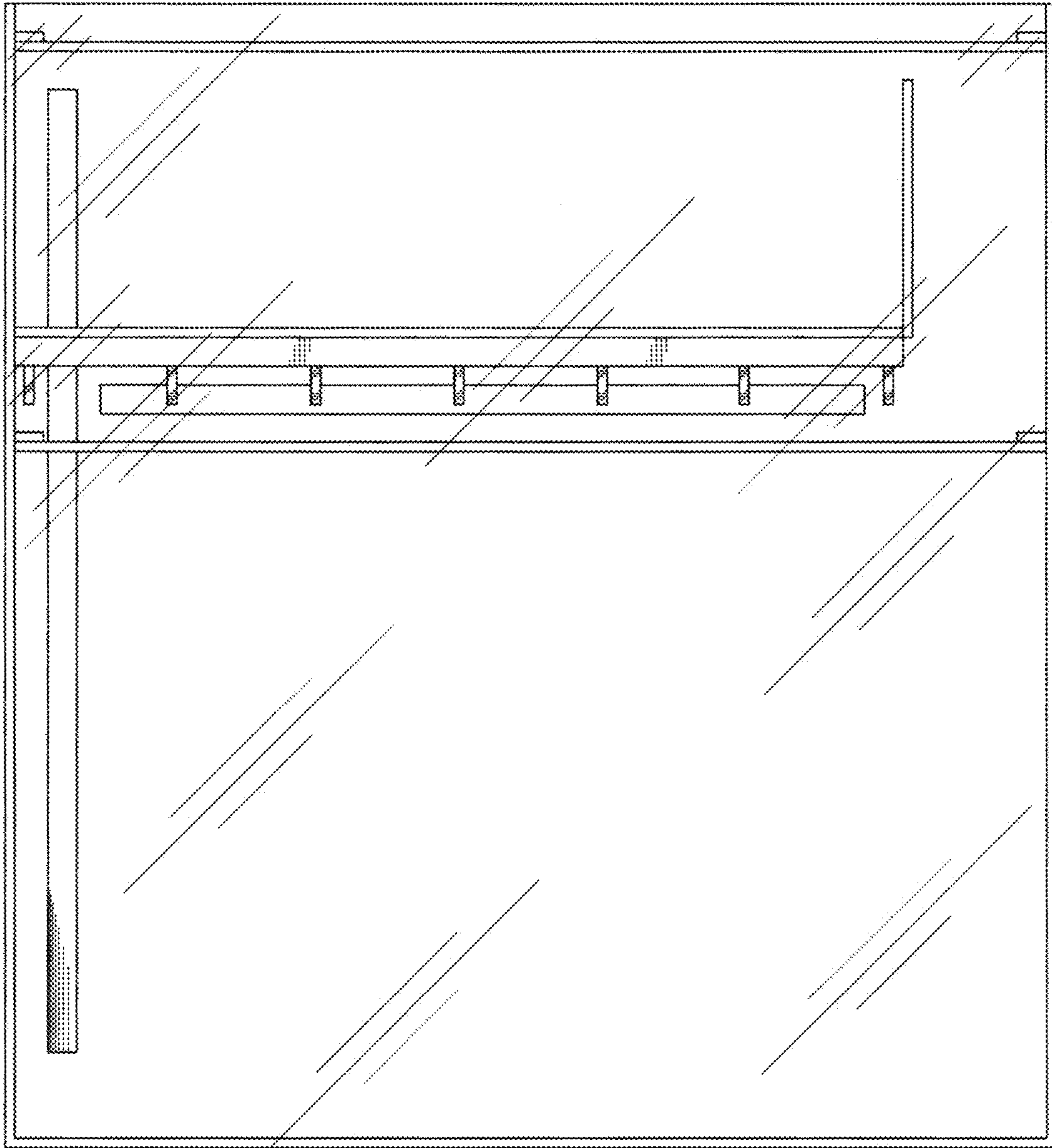


Fig. 2

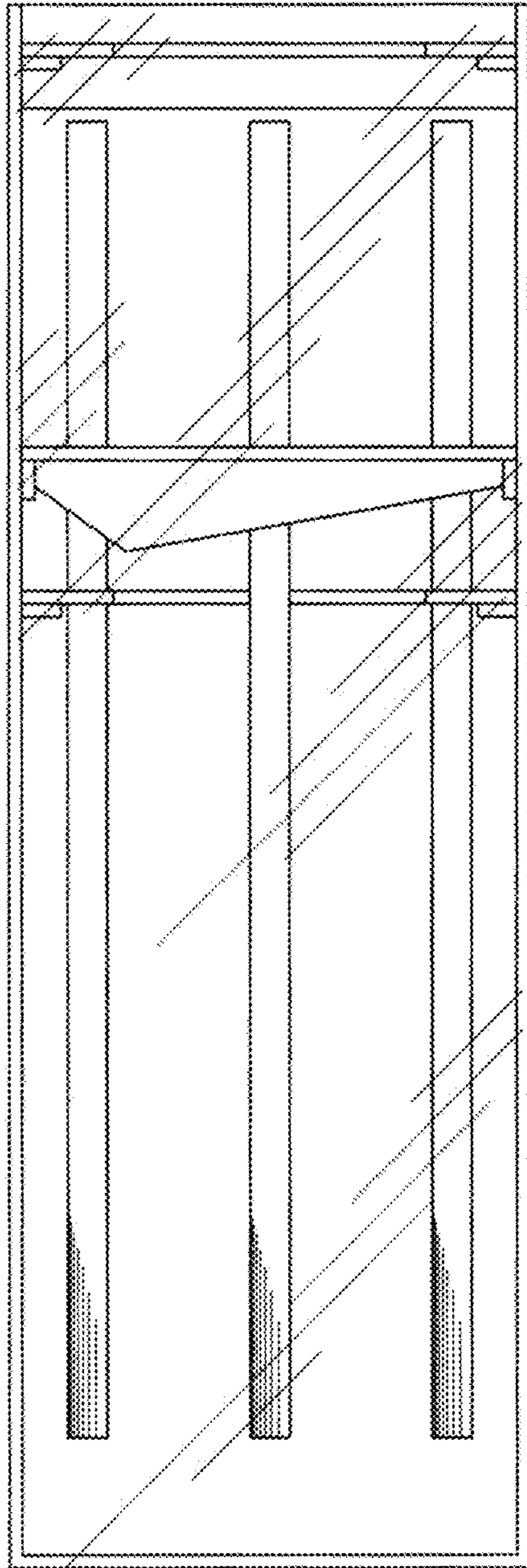


Fig. 3

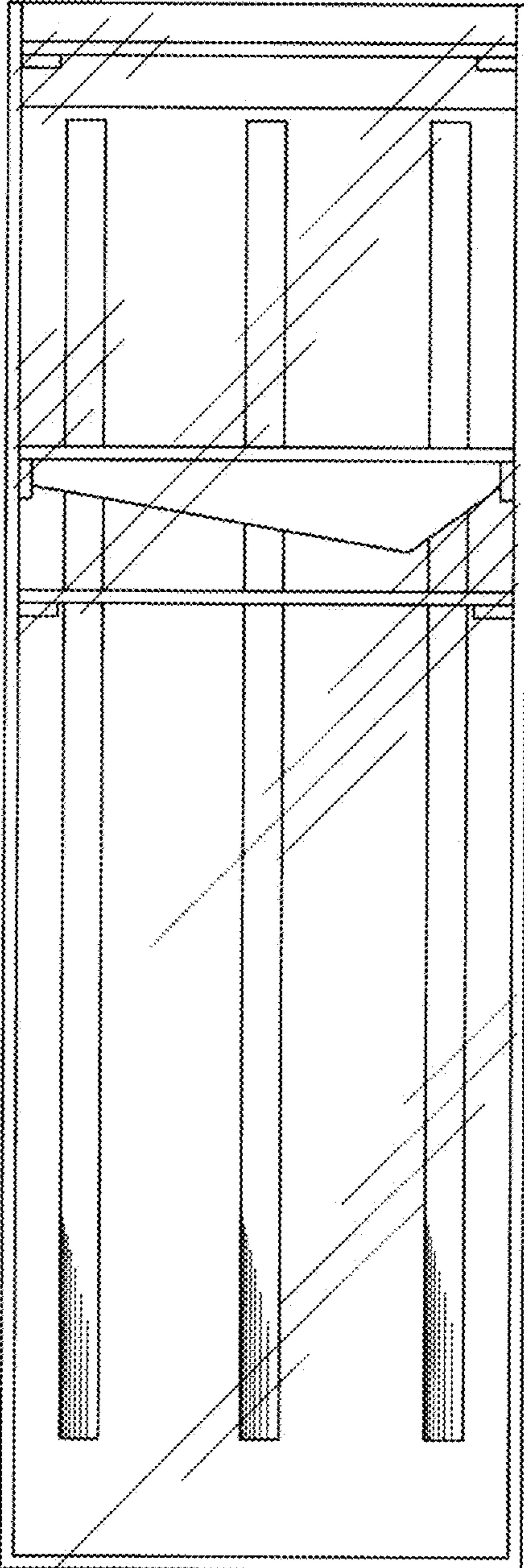


Fig. 4

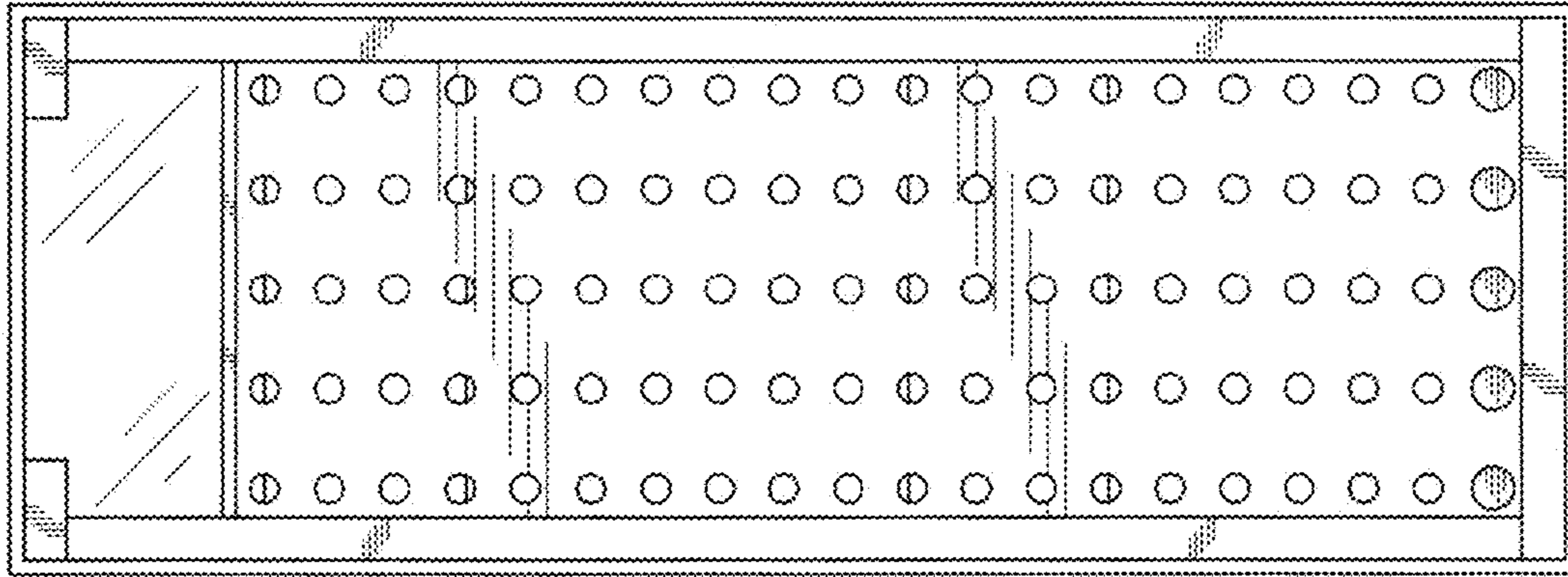


Fig. 5

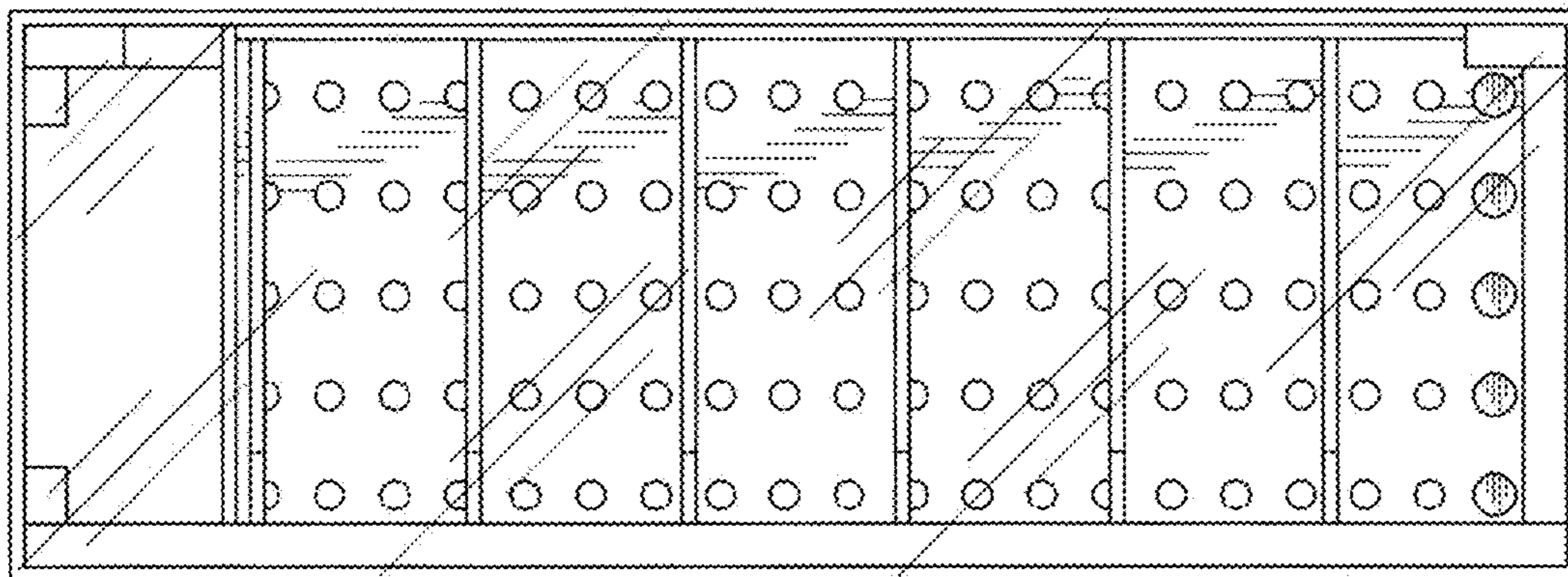


Fig. 6

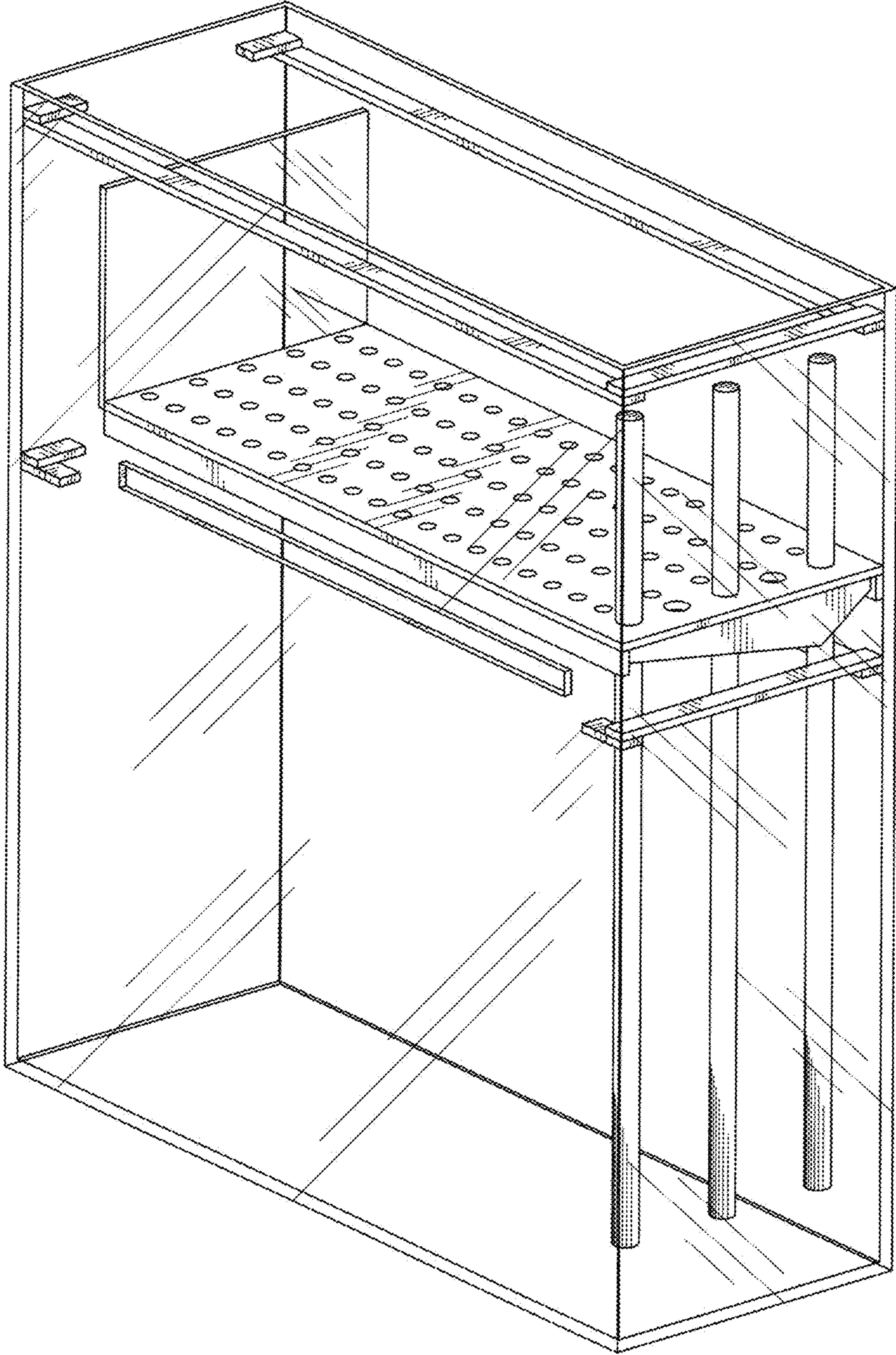


Fig. 7