



US00D779629S

(12) **United States Design Patent** (10) **Patent No.:** **US D779,629 S**
Kemper (45) **Date of Patent:** **** Feb. 21, 2017**

(54) **FILTRATION APPARATUS**

(71) Applicant: **Gerd Kemper**, Vreden (DE)

(72) Inventor: **Gerd Kemper**, Vreden (DE)

(**) Term: **15 Years**

(21) Appl. No.: **29/542,161**

(22) Filed: **Oct. 12, 2015**

Related U.S. Application Data

(62) Division of application No. 29/482,910, filed on Feb. 24, 2014, now Pat. No. Des. 748,221.

Foreign Application Priority Data

Sep. 11, 2013 (EM) 001383202-0001
 Sep. 11, 2013 (EM) 001383202-0002
 Sep. 11, 2013 (EM) 001383202-0003

(51) **LOC (10) Cl.** **23-01**

(52) **U.S. Cl.**
USPC **D23/207**

(58) **Field of Classification Search**
USPC D23/207, 209; 210/90, 195.2, 241, 257.2
See application file for complete search history.

(56) **References Cited**

U.S. PATENT DOCUMENTS

D328,777 S *	8/1992	Thalmann	D23/209
D370,050 S *	5/1996	Dea	D23/200
D410,726 S *	6/1999	Cook	D23/200
D424,660 S *	5/2000	Teran	D23/207
D480,447 S *	10/2003	Cook	D23/200
D575,843 S *	8/2008	Werner	D23/207
D663,008 S *	7/2012	Varini	D23/207

* cited by examiner

Primary Examiner — Robin V Webster

(74) *Attorney, Agent, or Firm* — Andrew Wilford

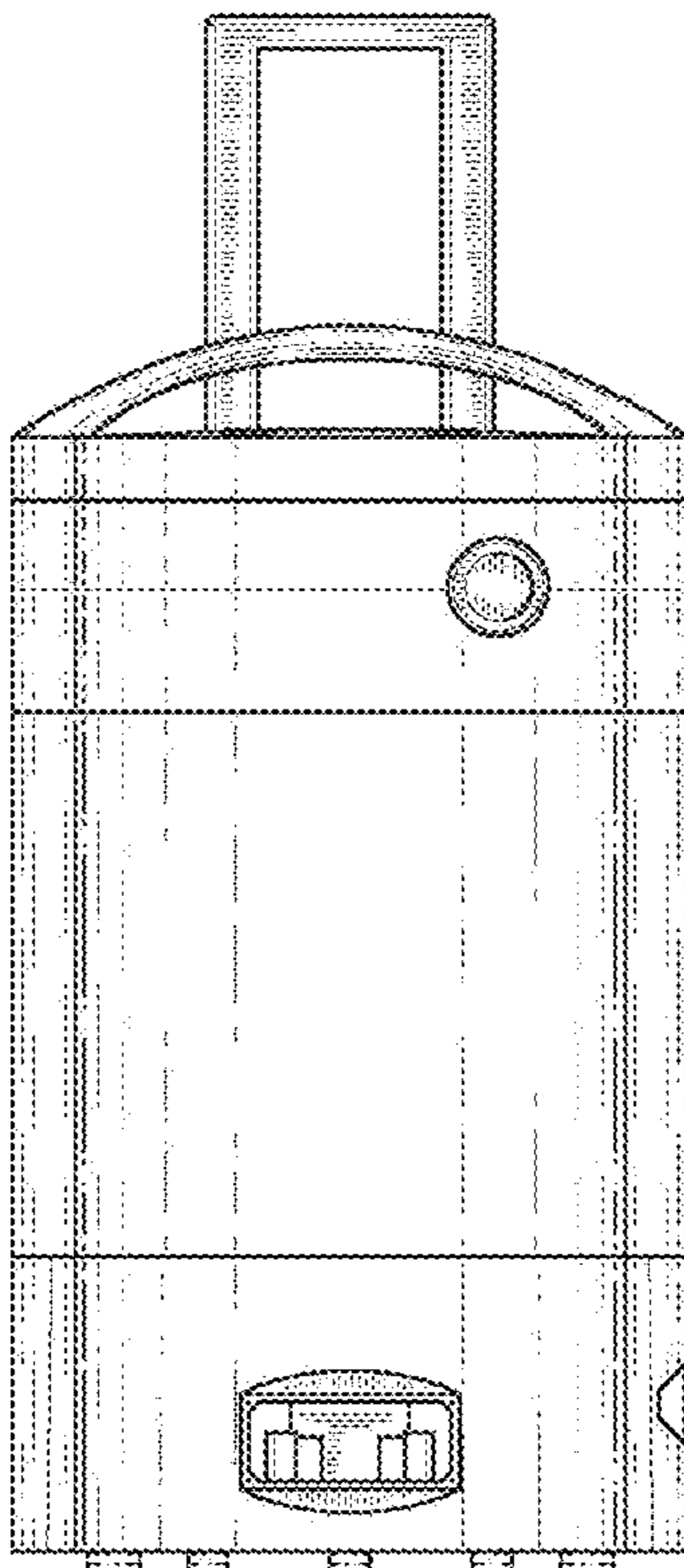
(57) **CLAIM**

The ornamental design for a filtration apparatus, as shown and described.

DESCRIPTION

FIG. 1 is a front elevational view of the filtration apparatus according to the invention, here of the portable type;
 FIG. 2 is a side elevational view of the filtration apparatus, the opposite side view being an identical mirror image thereof;
 FIG. 3 is a back elevational view of the filtration apparatus;
 and,
 FIG. 4 is a top view of the filtration apparatus.

1 Claim, 2 Drawing Sheets



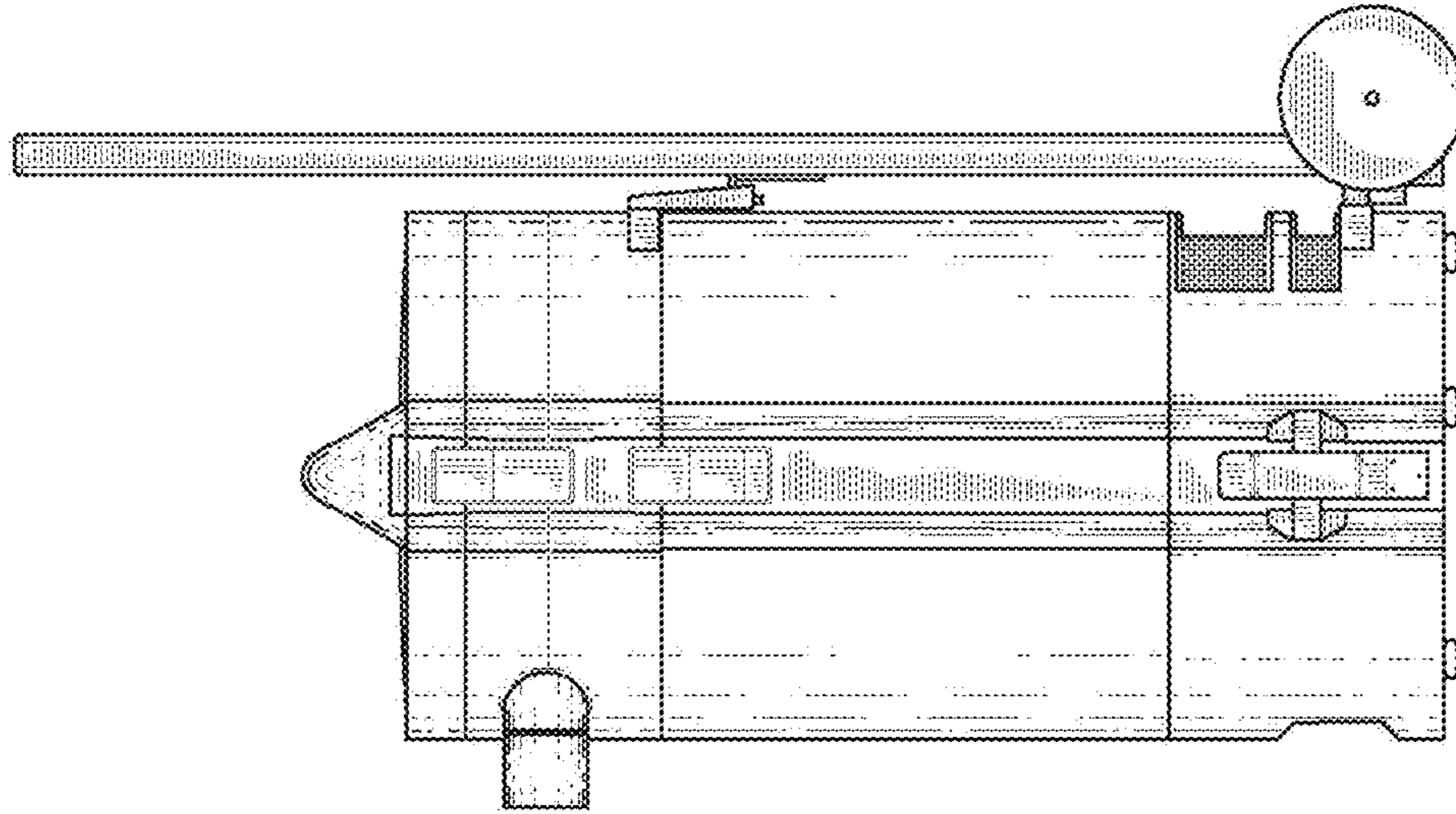


Fig. 2

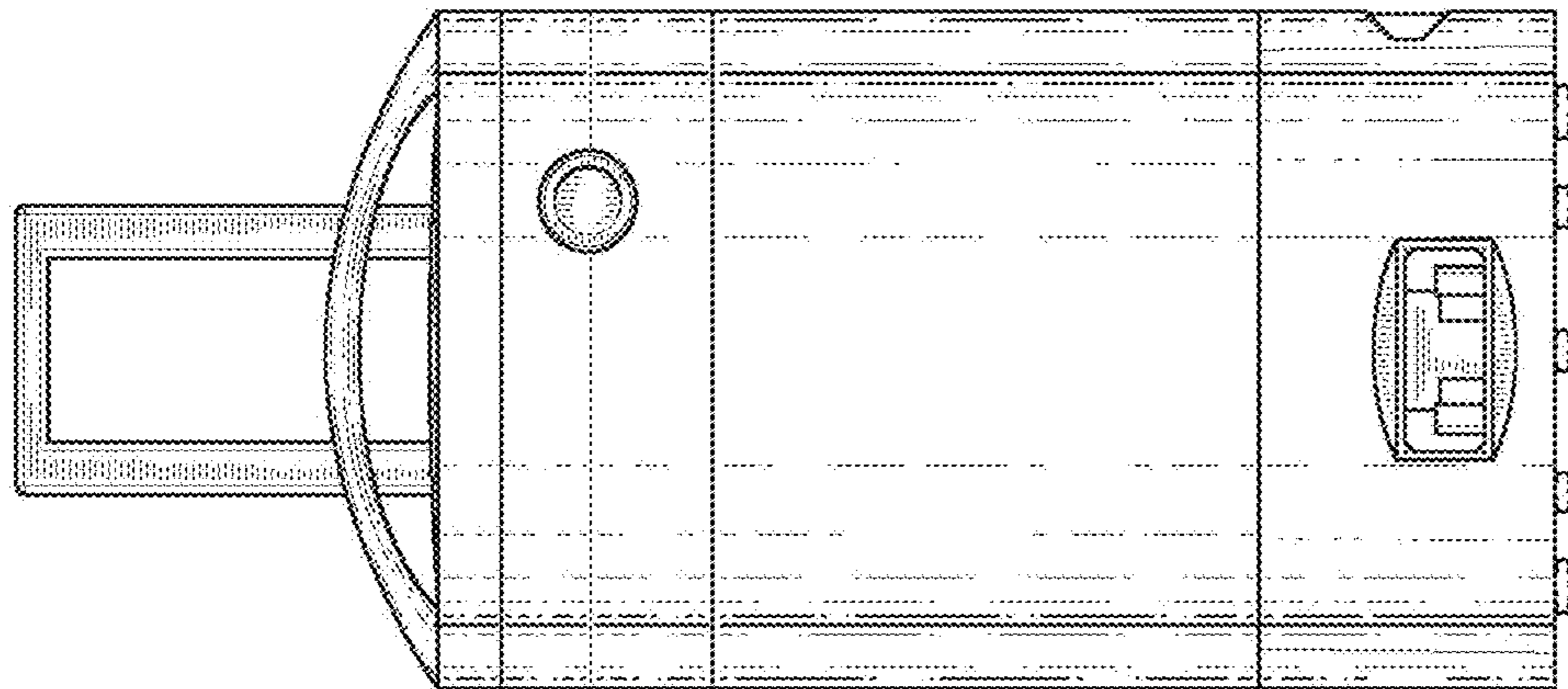


Fig. 1

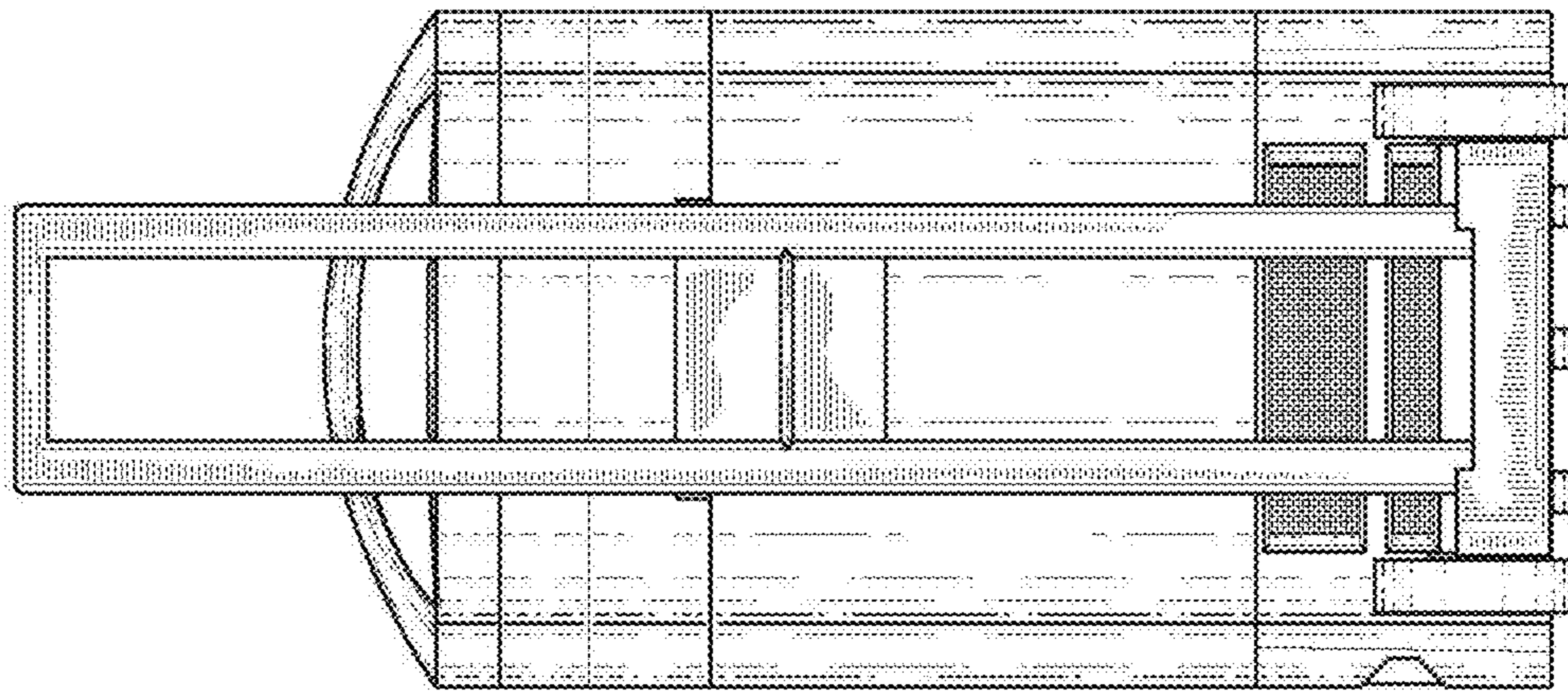


Fig. 3

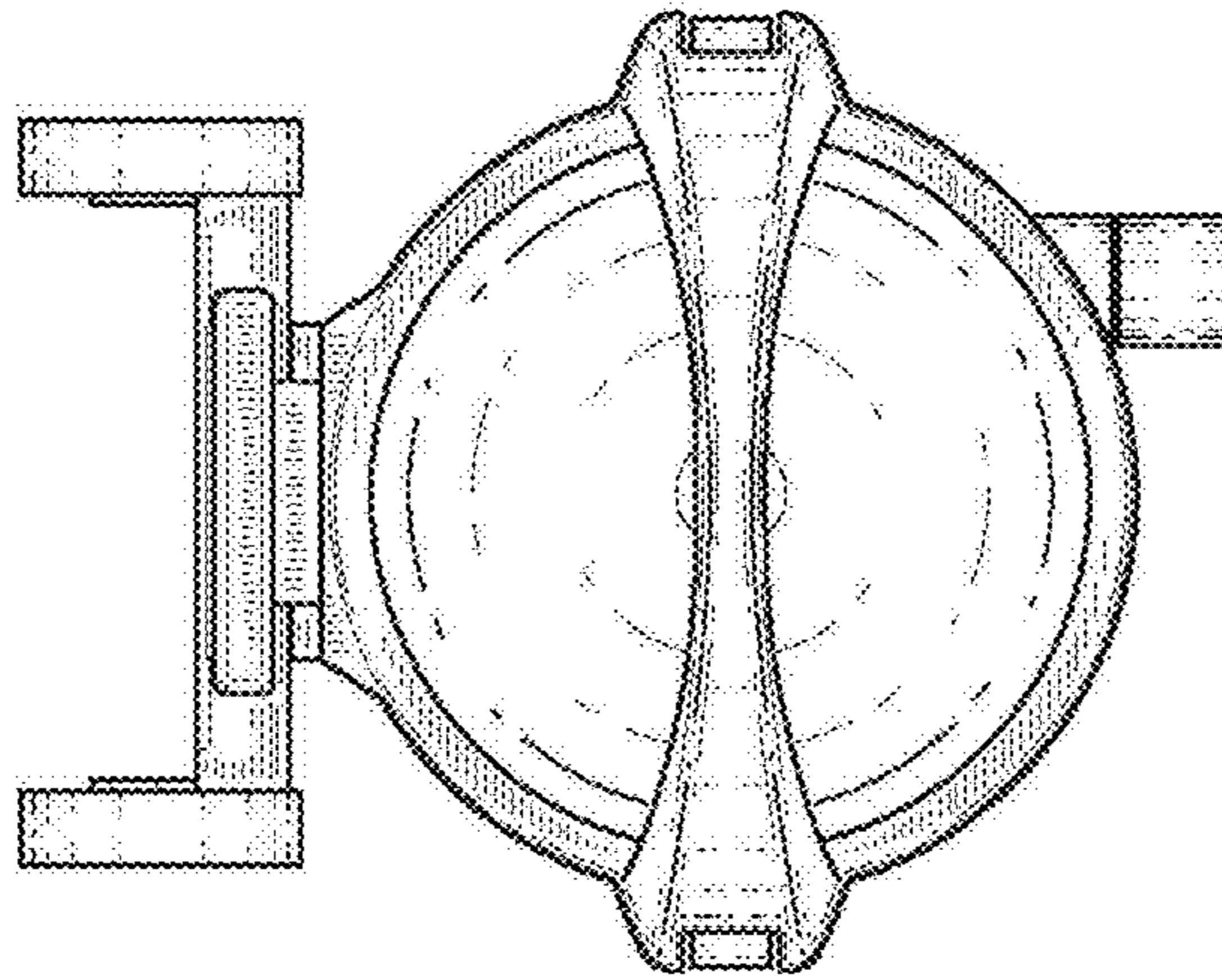


Fig. 4