



US00D779626S

(12) **United States Design Patent**
Hou

(10) **Patent No.:** **US D779,626 S**

(45) **Date of Patent:** **** Feb. 21, 2017**

(54) **MULTI-FUNCTIONAL PEST REPELLER**

D641,897 S * 7/2011 Weiser D22/120
D748,755 S * 2/2016 Tait D22/120
D768,805 S * 10/2016 Wu D22/120

(71) Applicant: **Mao Hou**, Shenzhen (CN)

(72) Inventor: **Mao Hou**, Shenzhen (CN)

(**) Term: **15 Years**

(21) Appl. No.: **29/553,597**

(22) Filed: **Feb. 3, 2016**

(51) **LOC (10) Cl.** **22-06**

(52) **U.S. Cl.**
USPC **D22/120**

(58) **Field of Classification Search**

USPC D22/119–124; 43/112–113, 124, 126,
43/129, 59; D23/366–369; 119/719
CPC A01M 25/002; A01M 1/04; A01M 1/223;
A01M 2200/012; E04B 1/72; F16M 13/02
See application file for complete search history.

(56) **References Cited**

U.S. PATENT DOCUMENTS

D630,702 S * 1/2011 Levine D22/120
D638,507 S * 5/2011 Feuerstein D22/120

* cited by examiner

Primary Examiner — Catheri Oliver-Garcia
(74) *Attorney, Agent, or Firm* — Novoclaims Patent
Services LLC; Mei Lin Wong

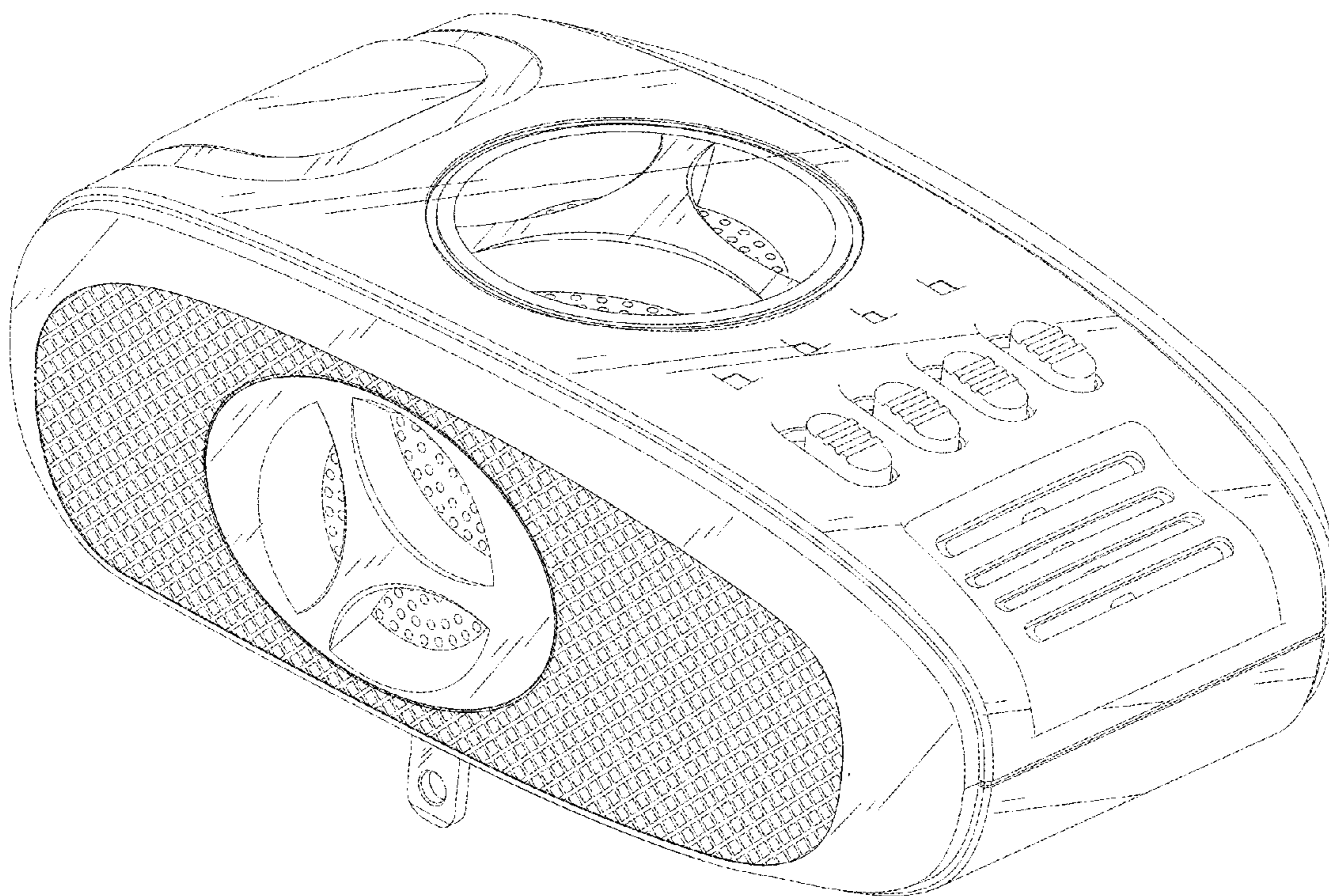
(57) **CLAIM**

The ornamental design for a multi-functional pest repeller,
as shown and described.

DESCRIPTION

FIG. 1 is a perspective view of a multi-functional pest
repeller showing my new design.
FIG. 2 is a front view thereof.
FIG. 3 is a rear view thereof.
FIG. 4 is a left side view thereof.
FIG. 5 is a right side view thereof.
FIG. 6 is a top view thereof; and,
FIG. 7 is a bottom view thereof.

1 Claim, 7 Drawing Sheets



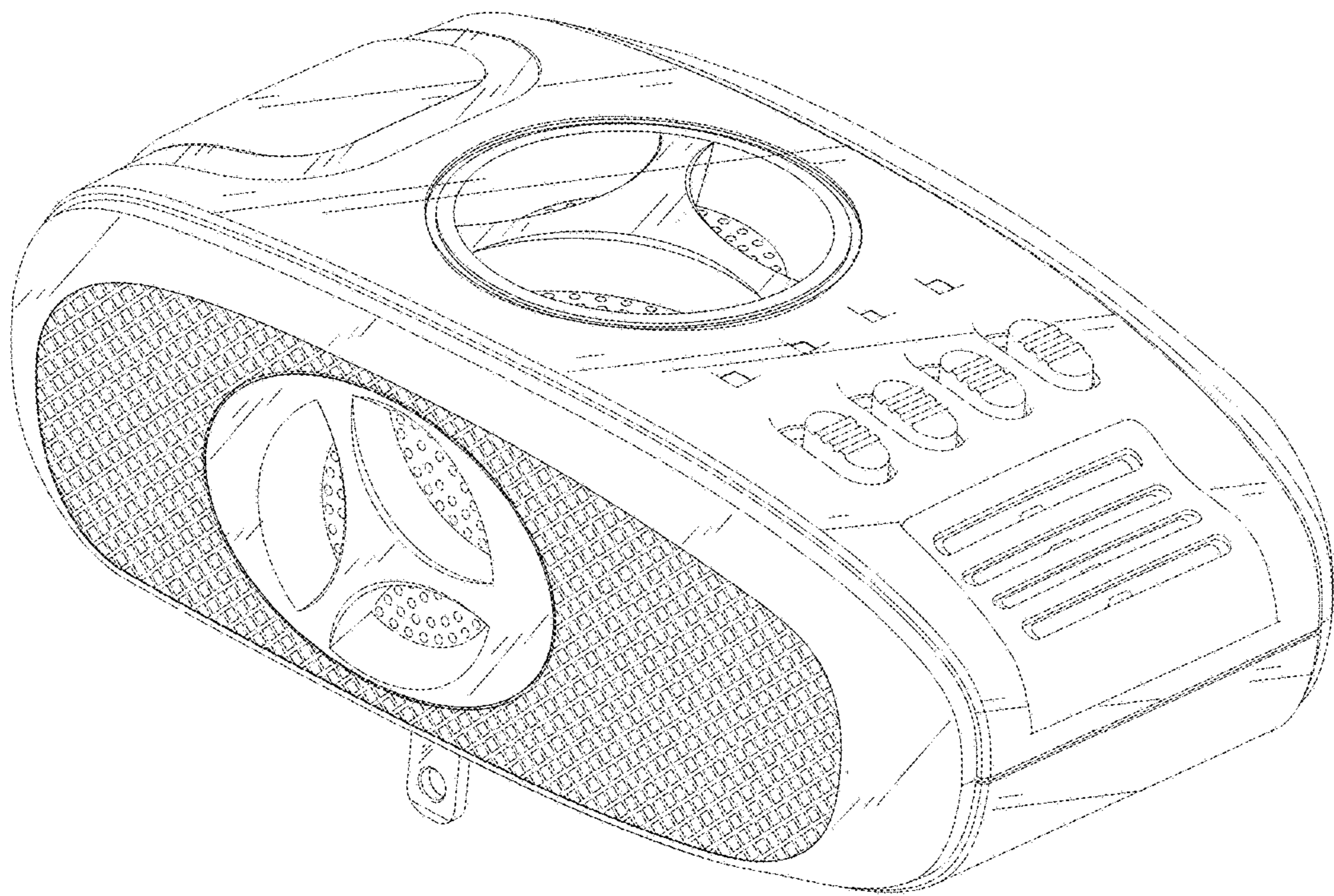


FIG.1

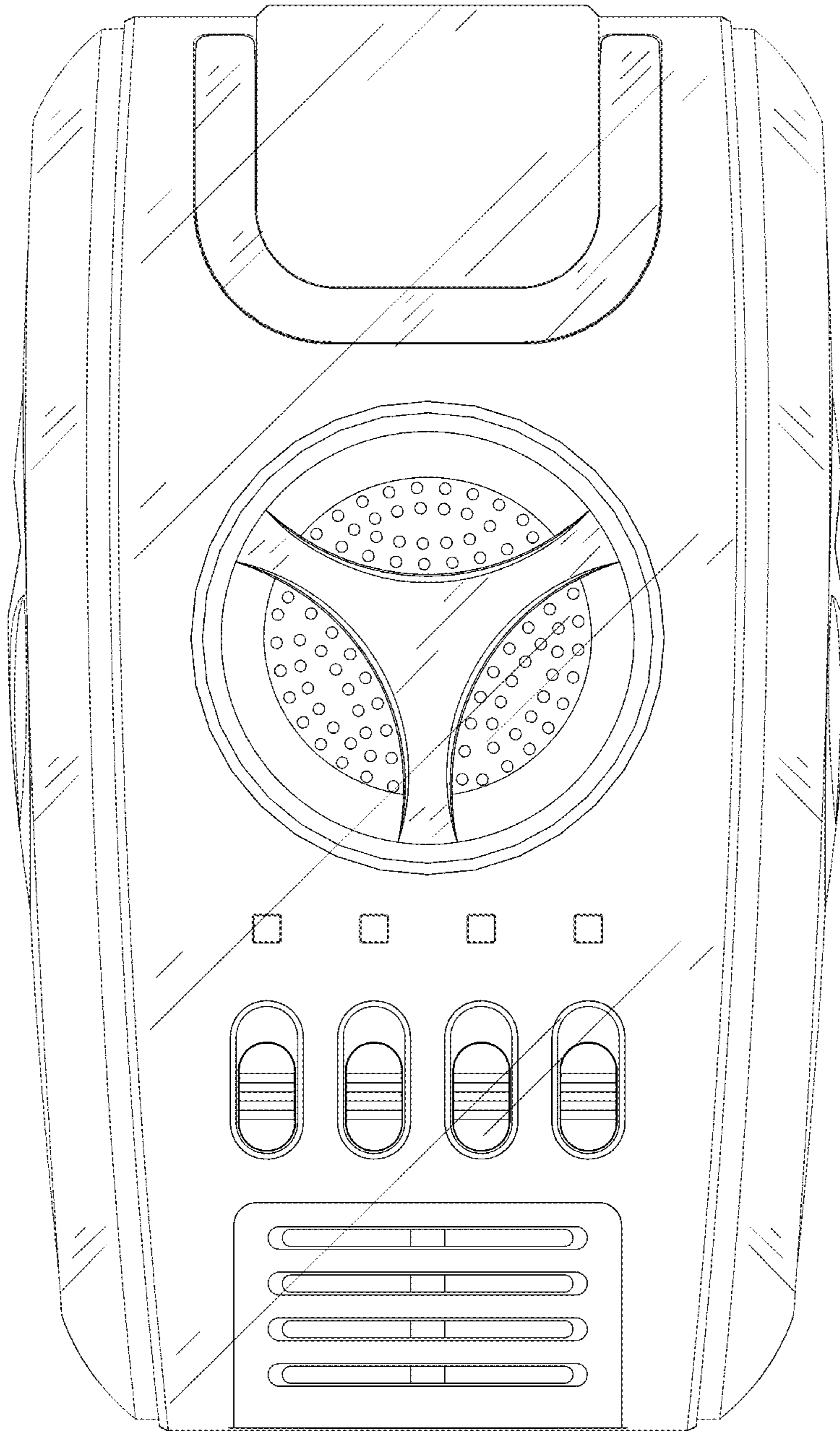


FIG.2

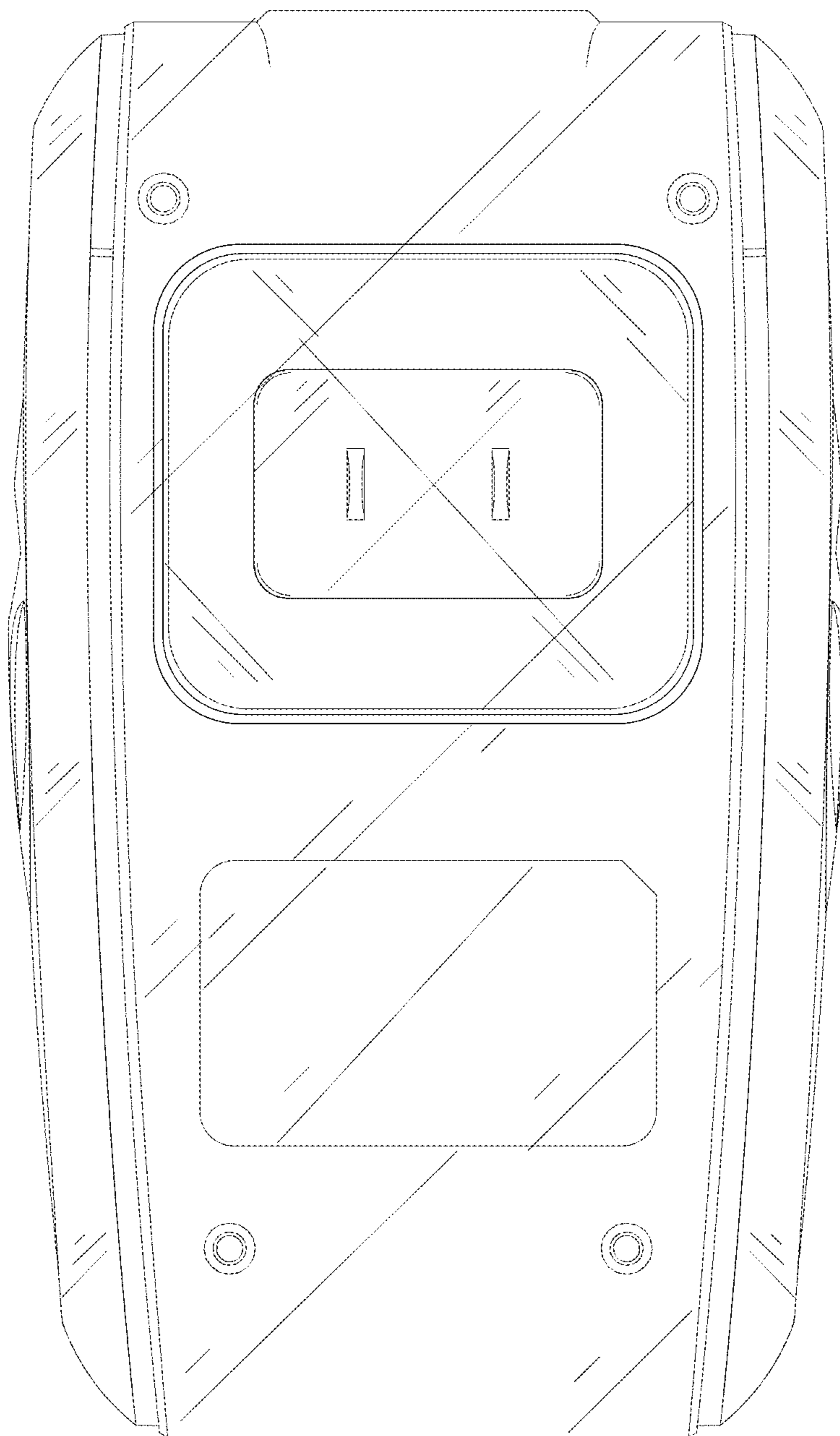


FIG.3

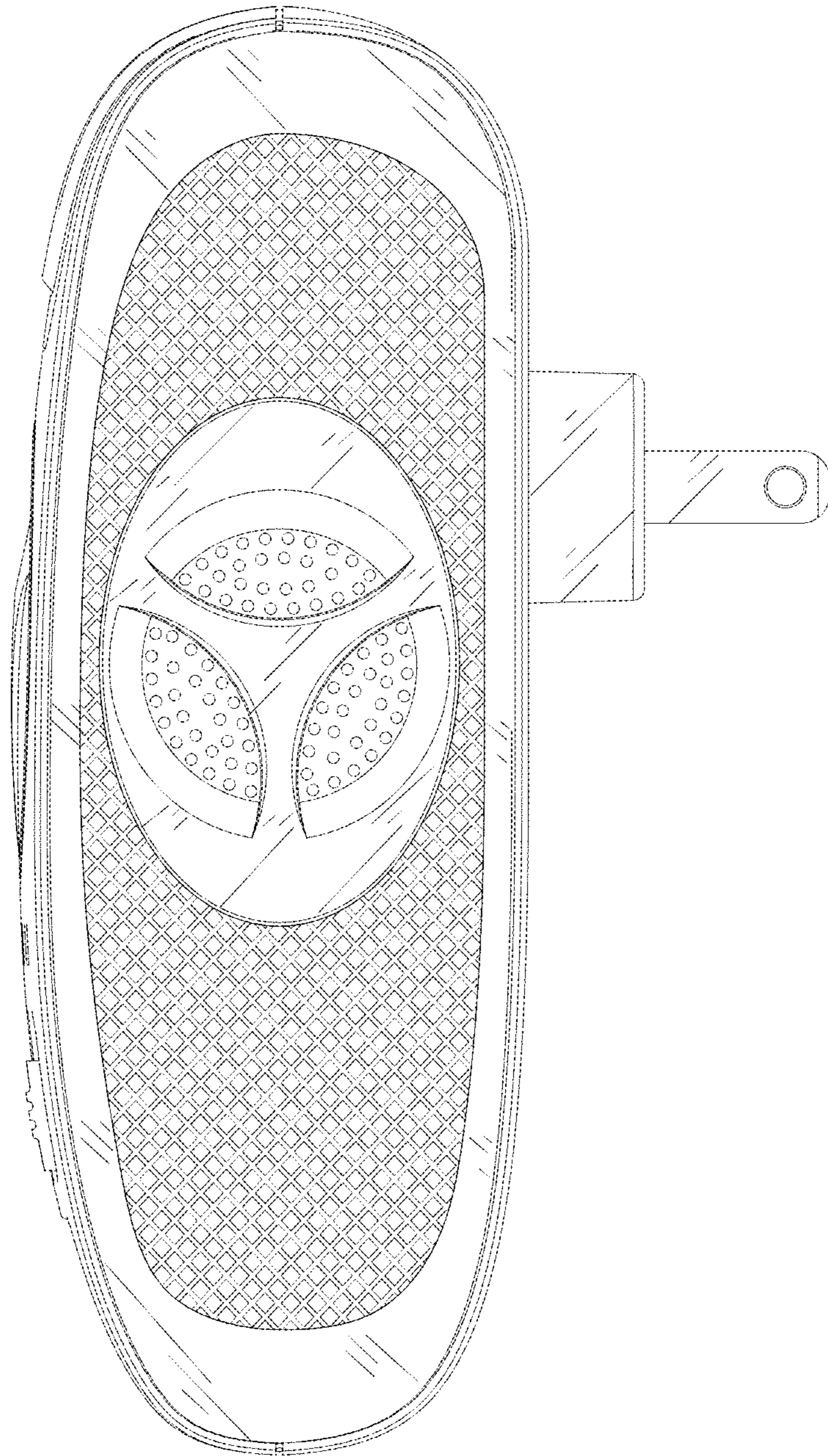


FIG. 4

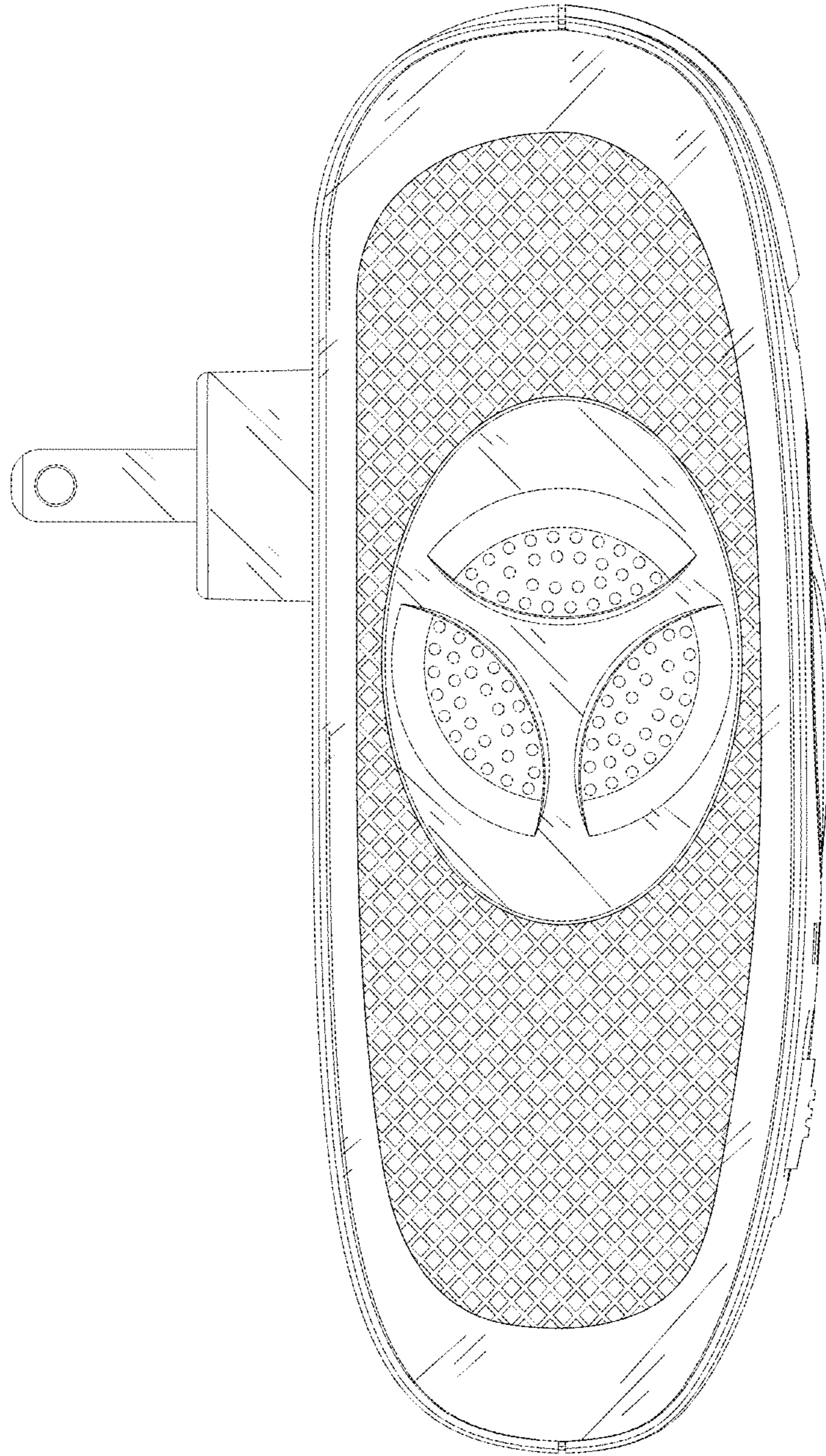


FIG.5

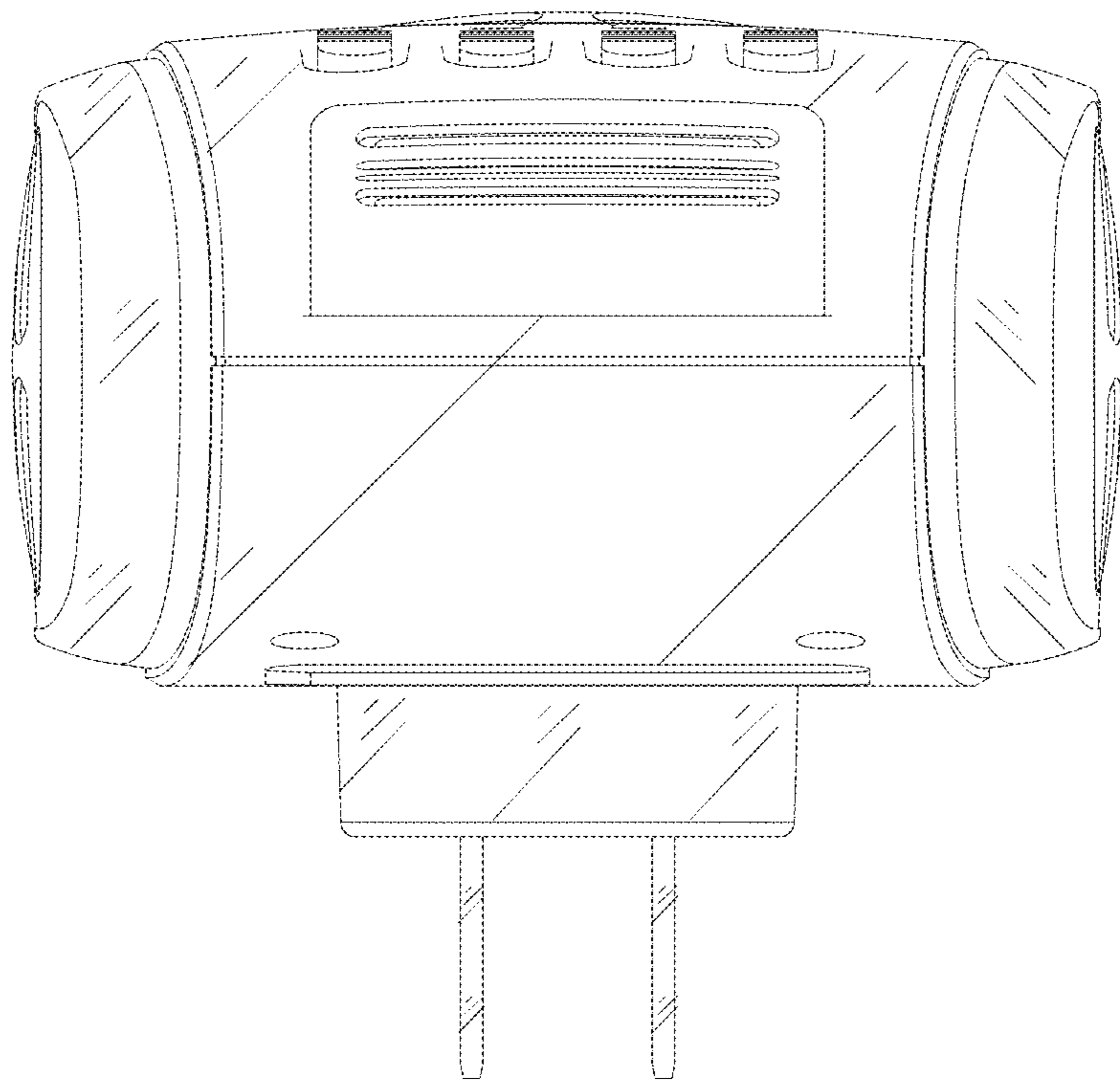


FIG.6

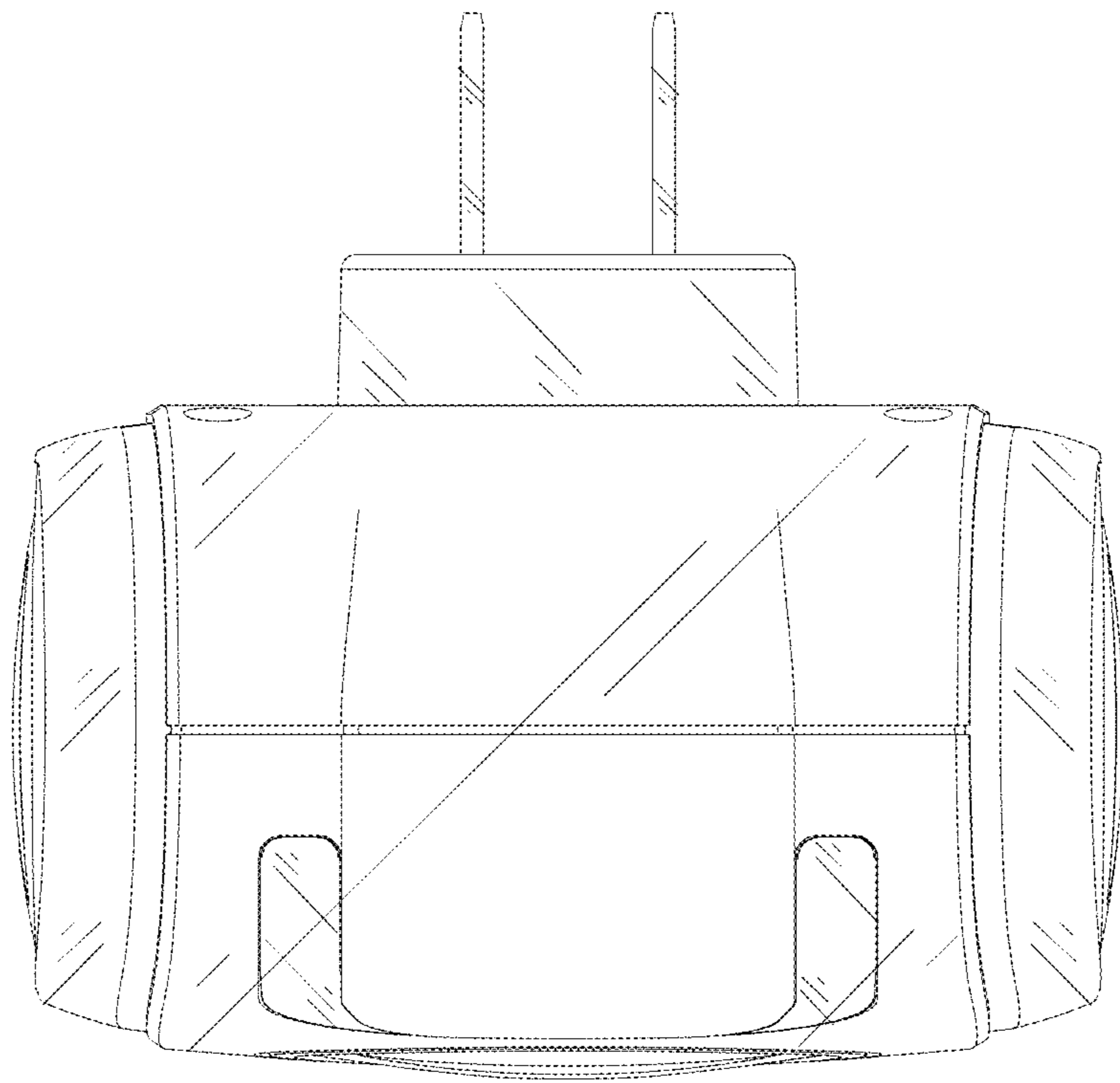


FIG.7