



US00D779624S

(12) **United States Design Patent** (10) **Patent No.:** **US D779,624 S**  
**Burrow** (45) **Date of Patent:** **\*\* Feb. 21, 2017**

(54) **PROJECTILE APERTURE WICKING PATTERN**

7,441,504 B2 10/2008 Husseini et al.  
7,610,858 B2 11/2009 Chung  
7,750,091 B2 7/2010 Maljkovic et al.

(Continued)

(71) Applicant: **True Velocity, Inc.**, Dallas, TX (US)

(72) Inventor: **Lonnie Burrow**, Carrollton, TX (US)

FOREIGN PATENT DOCUMENTS

(73) Assignee: **TRUE VELOCITY, INC.**, Dallas, TX (US)

CA 2813634 A1 4/2012  
EP 2625486 A1 8/2013

(Continued)

(\*\*) Term: **15 Years**

OTHER PUBLICATIONS

(21) Appl. No.: **29/535,578**

Korean Intellectual Property Office (ISA), International Search Report and Written Opinion for PCT/US2011/062781 dated Nov. 30, 2012, 16 pp.

(22) Filed: **Aug. 7, 2015**

(51) **LOC (10) Cl.** ..... **22-03**

(52) **U.S. Cl.**  
USPC ..... **D22/116**

(58) **Field of Classification Search**  
USPC ..... D22/115–116  
CPC ..... F42B 30/02; F42B 5/02; F42B 5/26;  
F42B 12/34; F42B 8/04; F42B 10/22; F42B 8/14; F41A 9/83; F41A 9/82; F41A 9/01; F41A 9/09; F41A 9/86  
See application file for complete search history.

*Primary Examiner* — Michael A Pratt

(74) *Attorney, Agent, or Firm* — Chainey P. Singleton; Edwin S. Flores; Chalker Flores, LLP

(57) **CLAIM**

The ornamental design for a projectile aperture wicking pattern, as shown and described.

**DESCRIPTION**

FIG. 1 is an isometric view of a cartridge showing my new design of the wicking pattern in the projectile aperture.

FIG. 2 is an isometric view of a projectile aperture showing my new design of the wicking pattern in the projectile aperture.

FIG. 3 is a top view of a cartridge showing my new design of the wicking pattern in the projectile aperture.

FIG. 4 is a cross sectional view along 4-4 of FIG. 3 showing my new design of the wicking pattern in the projectile aperture; and,

FIG. 5 is a cross sectional view along 5-5 of FIG. 3 showing my new design of the wicking pattern in the projectile aperture.

(56) **References Cited**

U.S. PATENT DOCUMENTS

- 3,955,506 A 5/1976 Luther et al.
- 4,228,724 A 10/1980 Leich
- 4,475,435 A 10/1984 Mantel
- 5,950,063 A 9/1999 Hens et al.
- 5,961,200 A 10/1999 Friis
- 6,004,682 A 12/1999 Rackovan et al.
- 6,272,993 B1 8/2001 Cook et al.
- 6,460,464 B1 10/2002 Attarwala
- 6,845,716 B2 1/2005 Husseini et al.
- 7,204,191 B2 4/2007 Wiley et al.
- 7,213,519 B2 5/2007 Wiley et al.
- 7,392,746 B2 7/2008 Hansen

**1 Claim, 5 Drawing Sheets**



(56)

**References Cited**

U.S. PATENT DOCUMENTS

8,443,730 B2 5/2013 Padgett  
 8,522,684 B2 9/2013 Davies et al.  
 8,561,543 B2 10/2013 Burrow  
 8,573,126 B2 11/2013 Klein et al.  
 8,763,535 B2 7/2014 Padgett  
 8,790,455 B2 7/2014 Borissov et al.  
 8,807,008 B2 8/2014 Padgett et al.  
 8,813,650 B2 8/2014 Maljkovic et al.  
 D715,888 S 10/2014 Padgett  
 8,869,702 B2 10/2014 Padgett  
 8,875,633 B2 11/2014 Padgett  
 8,978,559 B2 3/2015 Davies et al.  
 9,091,516 B2 7/2015 Davies et al.  
 2001/0013299 A1 8/2001 Husseini et al.  
 2003/0217665 A1 11/2003 Rennard  
 2005/0005807 A1 1/2005 Wiley  
 2005/0056183 A1 3/2005 Meshirer  
 2010/0016518 A1 1/2010 El-Hibri et al.  
 2010/0300319 A1 12/2010 Guindon  
 2010/0305261 A1 12/2010 Maljkovic et al.  
 2012/0022418 A1 1/2012 Klein

2012/0180687 A1 7/2012 Padgett et al.  
 2013/0180392 A1 7/2013 Nuetzman et al.  
 2014/0060372 A1 3/2014 Padgett  
 2014/0060373 A1 3/2014 Maljkovic et al.  
 2014/0076188 A1 3/2014 Maljkovic et al.  
 2014/0216293 A1 8/2014 Klein et al.  
 2014/0235784 A1 8/2014 Maljkovic et al.  
 2014/0260925 A1 9/2014 Beach et al.  
 2014/0373744 A1 12/2014 Padgett  
 2016/0003594 A1\* 1/2016 Burrow ..... F42B 5/307  
 86/10  
 2016/0003597 A1\* 1/2016 Burrow ..... F42B 5/307  
 86/18  
 2016/0033241 A1\* 2/2016 Burrow ..... F42B 5/307  
 102/466

FOREIGN PATENT DOCUMENTS

WO 2012047615 A1 4/2012  
 WO 2012097317 A2 7/2012  
 WO 2012097320 A1 7/2012  
 WO 2013070250 A1 5/2013  
 WO 2014062256 A2 4/2014

\* cited by examiner

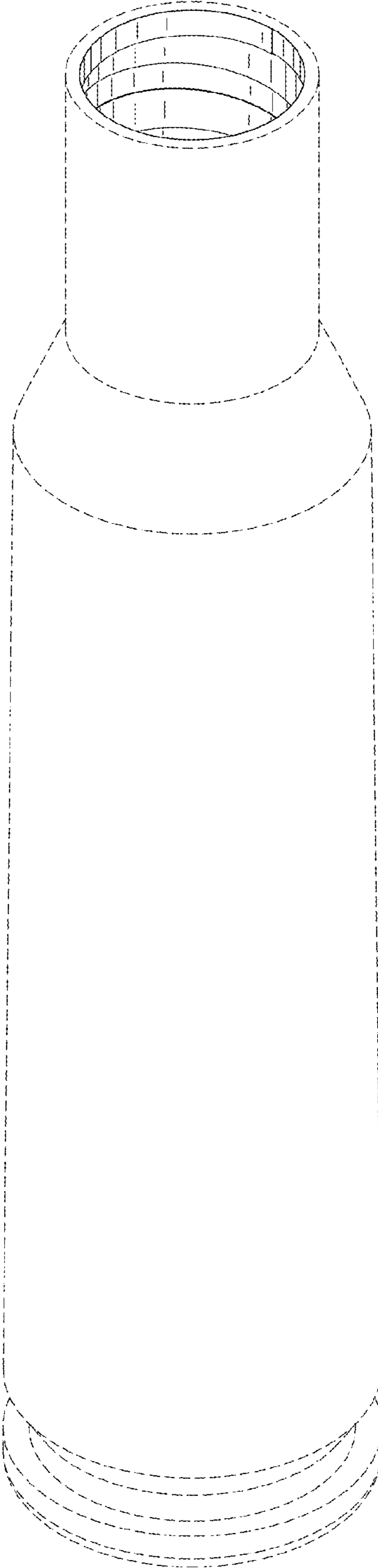


FIG. 1

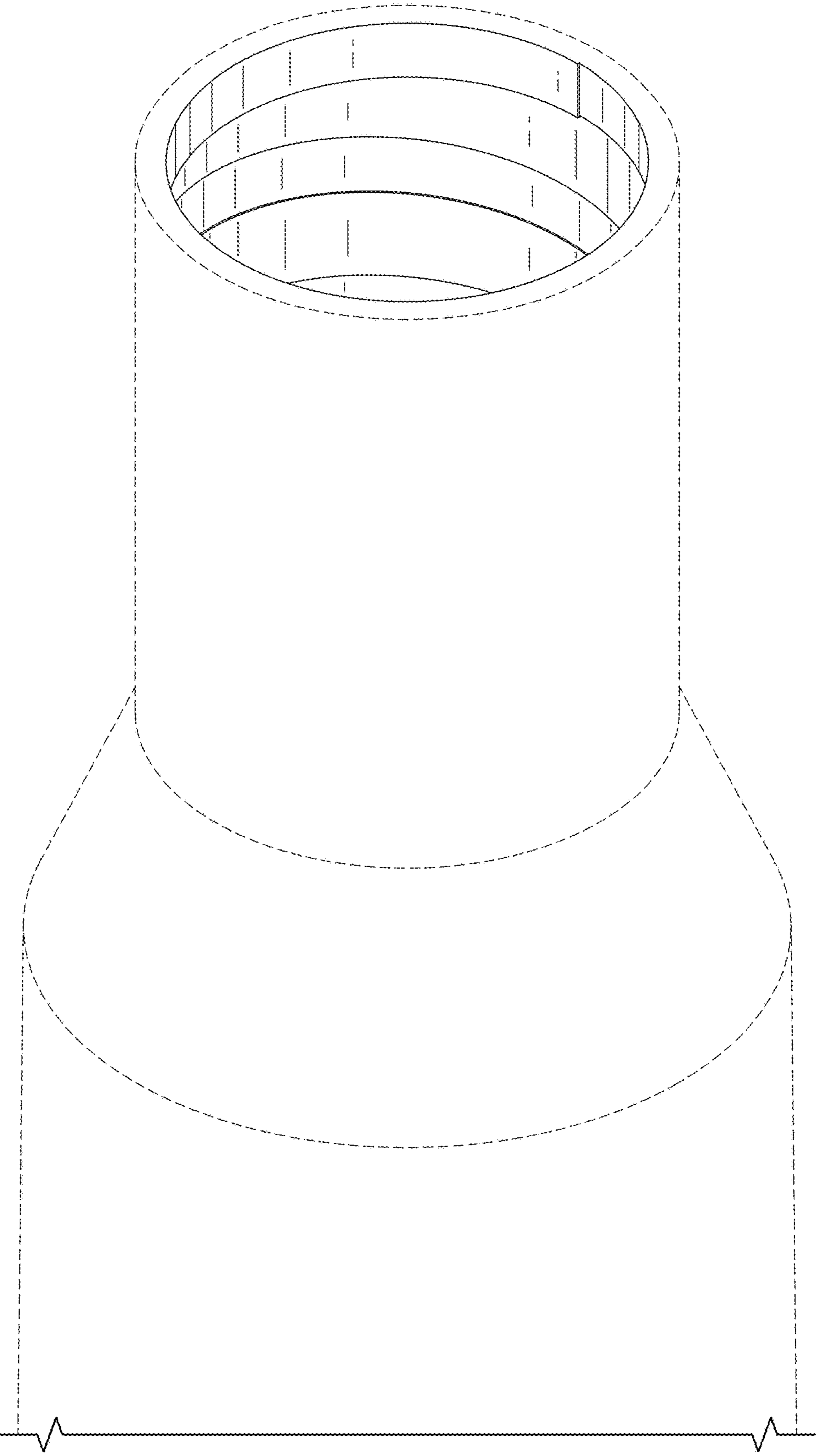


FIG. 2

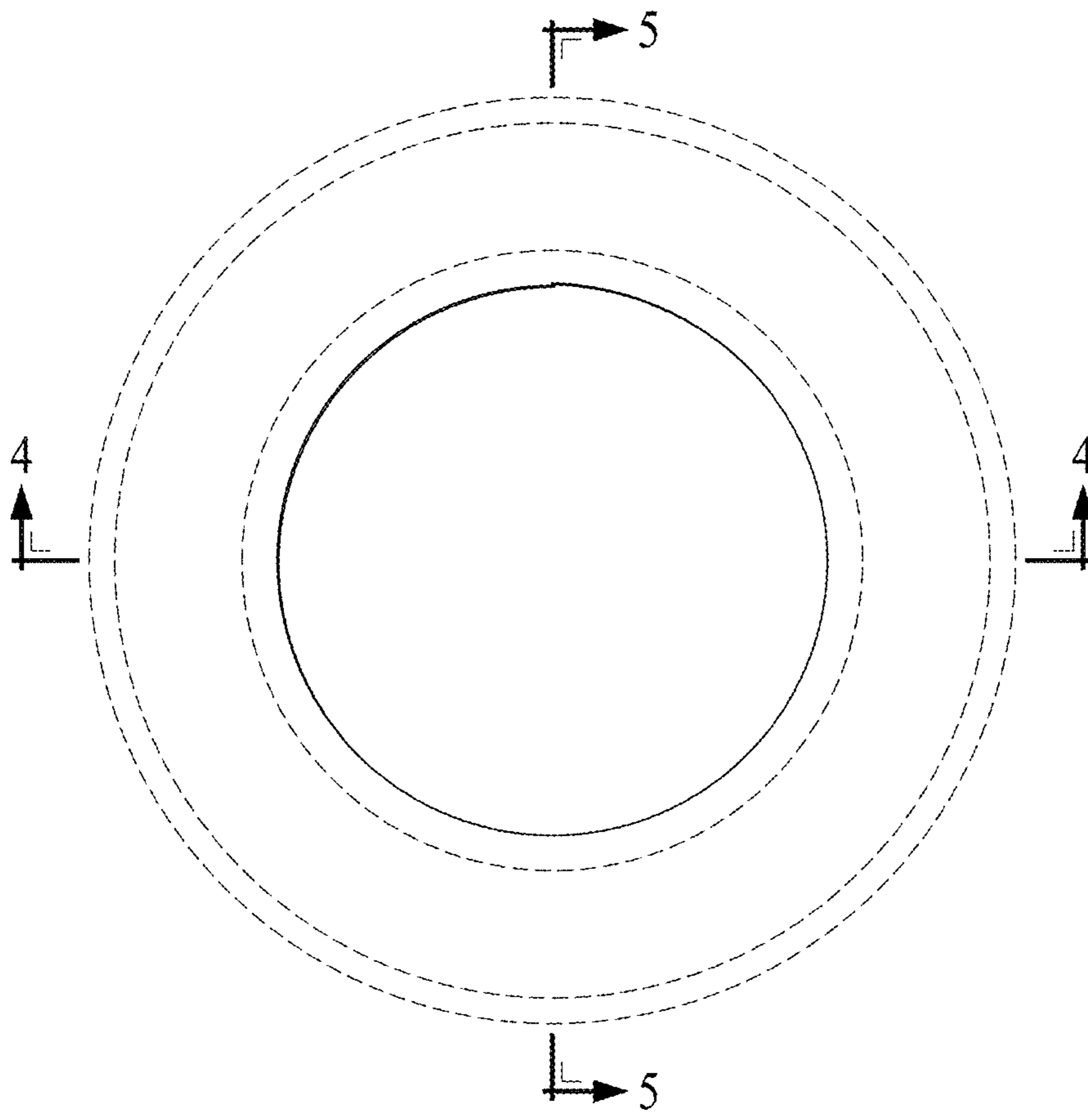


FIG. 3

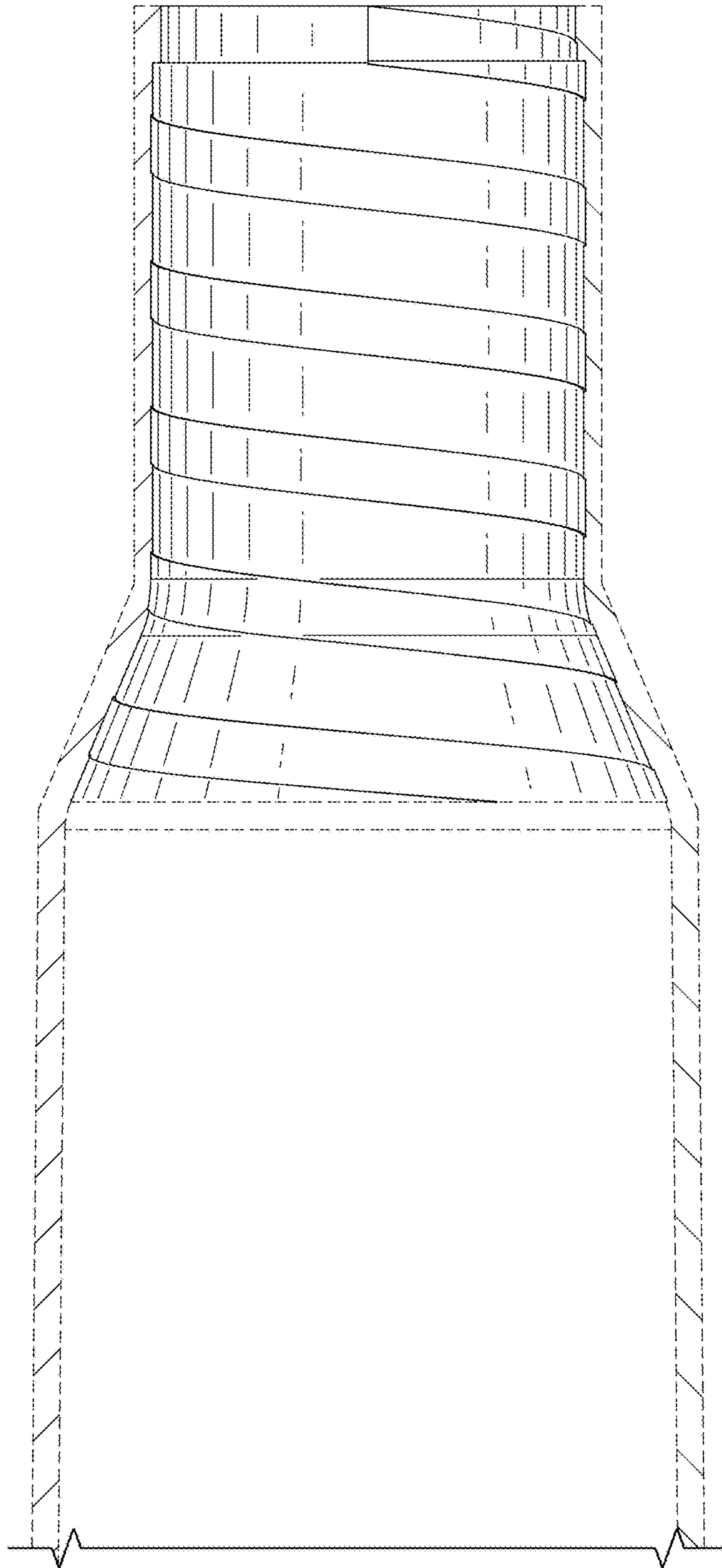


FIG. 4

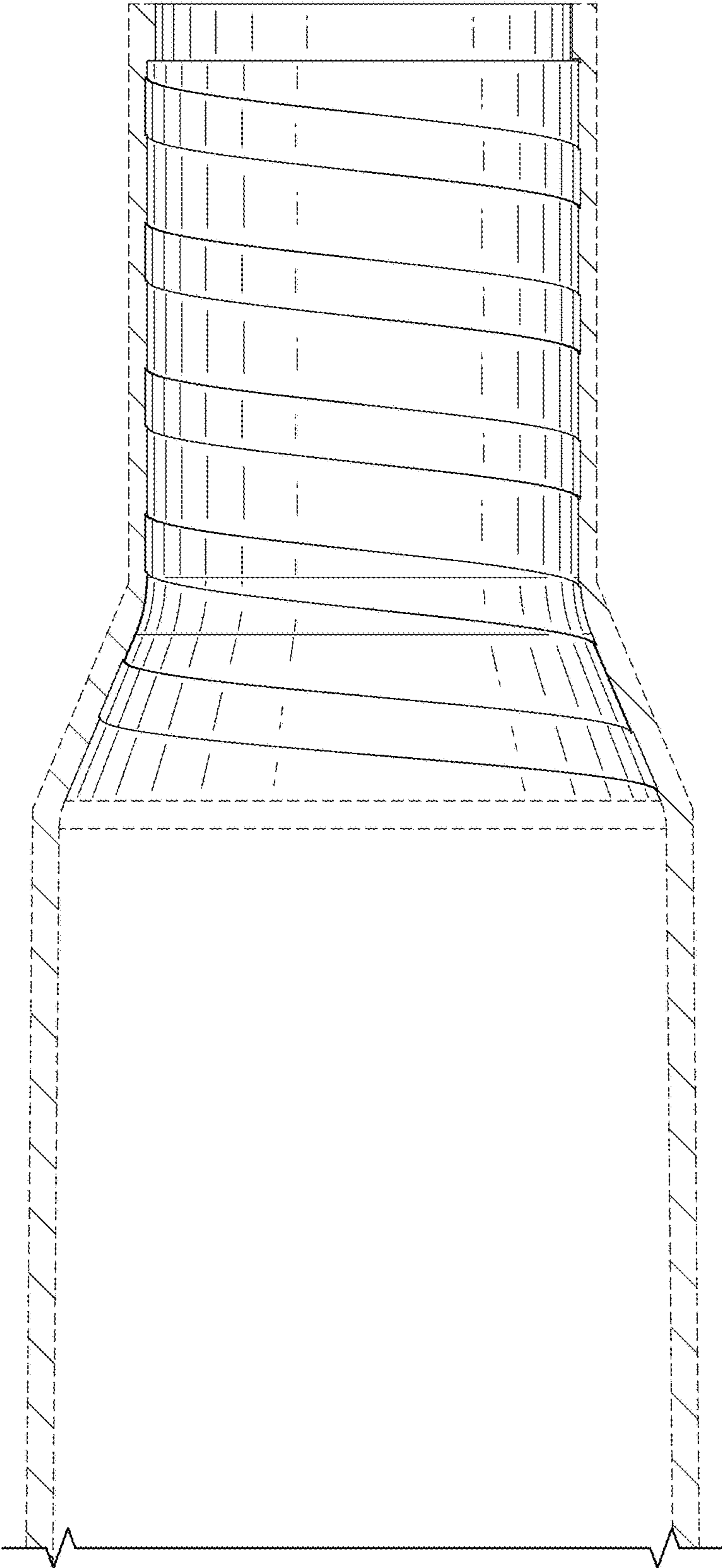


FIG. 5