

US00D779623S

(12) **United States Design Patent**  
**Geissele**

(10) **Patent No.:** **US D779,623 S**

(45) **Date of Patent:** **\*\* Feb. 21, 2017**

(54) **FIREARM SCOPE MOUNT**

(71) Applicant: **WHG Properties, LLC**, North Wales,  
PA (US)

(72) Inventor: **William H. Geissele**, Lower Gwynedd,  
PA (US)

(73) Assignee: **WHG Properties, LLC**, North Wales,  
PA (US)

(\*\*) Term: **15 Years**

(21) Appl. No.: **29/527,424**

(22) Filed: **May 19, 2015**

(51) **LOC (10) Cl.** ..... **22-01**

(52) **U.S. Cl.**  
USPC ..... **D22/110**

(58) **Field of Classification Search**  
USPC ..... D22/108–111; 42/111, 113–115,  
42/117–119, 122–133, 135–136, 140–146;  
D8/72, 349, 355  
CPC ..... F41G 1/00; F41G 1/01; F41G 1/16;  
F41G 1/22; F41G 1/24; F41G 1/28; F41G  
1/38; F41G 1/40; F41G 1/42; F41G 1/46;  
F41G 1/52; F41G 1/545; F41G  
11/00; F41G 11/001; F41G 11/003; F41G  
11/004; F41G 11/007

See application file for complete search history.

(56) **References Cited**

**U.S. PATENT DOCUMENTS**

773,813 A \* 11/1904 Saegmuller ..... F41G 11/001  
248/231.61  
D212,690 S \* 11/1968 Kuharsky ..... D22/110  
D317,344 S \* 6/1991 Klumpp ..... D22/110  
D383,826 S \* 9/1997 Weigand ..... D22/109  
D429,790 S \* 8/2000 Plonka ..... D22/100

D477,650 S \* 7/2003 Rubin ..... D22/110  
D512,761 S \* 12/2005 Warren ..... D22/109  
D554,730 S \* 11/2007 Coggins ..... D22/110  
D598,971 S \* 8/2009 Peterson ..... D22/108  
D600,312 S \* 9/2009 Swan ..... D22/109  
D632,753 S \* 2/2011 Leighton ..... D22/109

(Continued)

**OTHER PUBLICATIONS**

Cal, Scope Mounts—What the Pros Use, posted at PrecisionRifleBlog, posting date Oct. 28, 2014. [online], [site visited Oct. 17, 2016]. Available from Internet, <URL: http://precisionrifleblog.com/2014/10/28/scope-mounts-what-the-pros-use/>.\*

(Continued)

*Primary Examiner* — Kevin Rudzinski

*Assistant Examiner* — Kathleen Jones

(74) *Attorney, Agent, or Firm* — Merchant & Gould, P.C.

(57) **CLAIM**

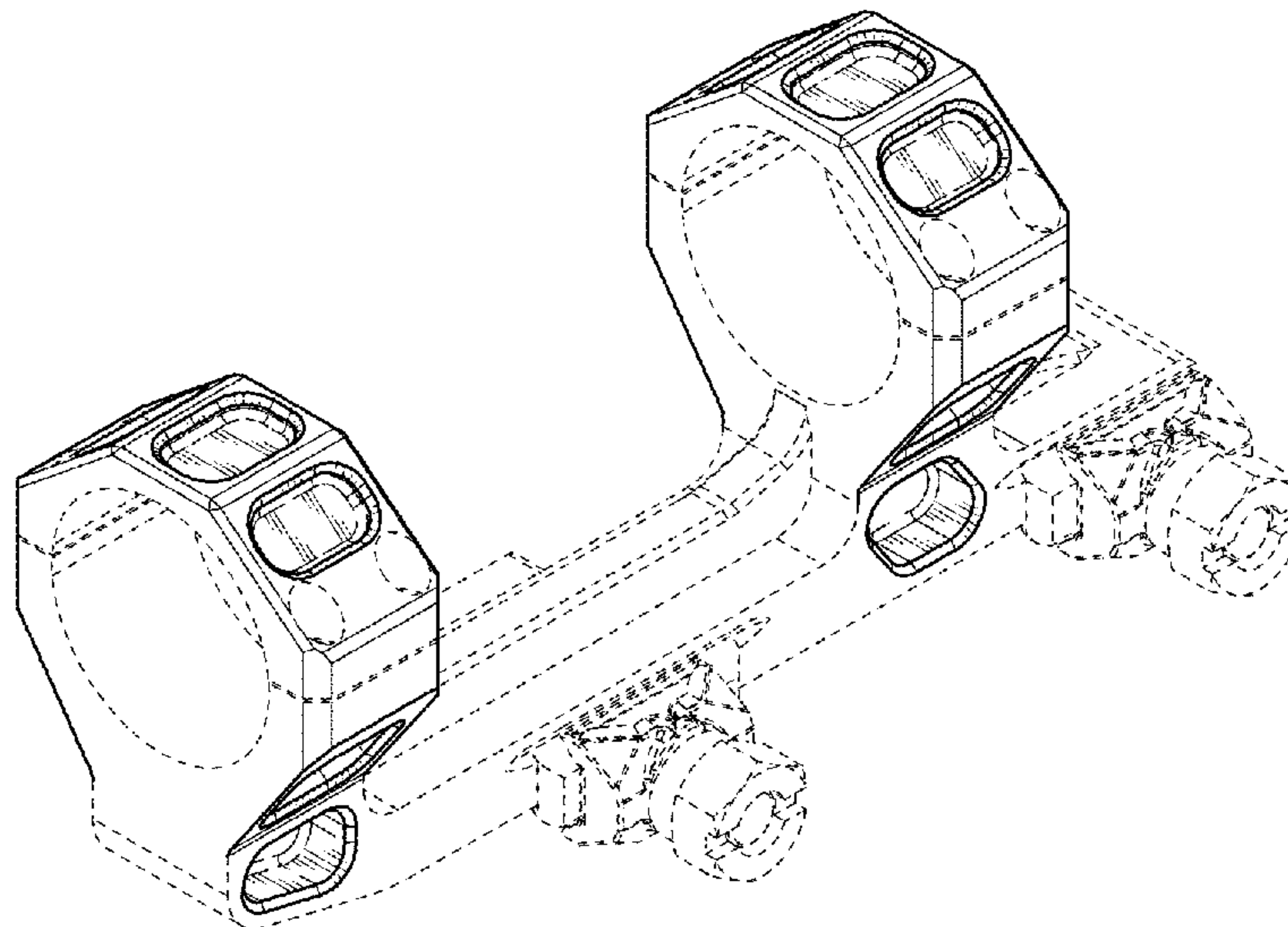
The ornamental design for a firearm scope mount, as shown and described.

**DESCRIPTION**

FIG. 1 is a top, front, left side perspective view of a firearm scope mount according to the present disclosure; FIG. 2 is a top view of the firearm scope mount of FIG. 1; FIG. 3 is a bottom view of the firearm scope mount of FIG. 1; FIG. 4 is a front view of the firearm scope mount of FIG. 1; FIG. 5 is a rear view of the firearm scope mount of FIG. 1; FIG. 6 is a left side view of the firearm scope mount of FIG. 1; and, FIG. 7 is a right side view of the firearm scope mount of FIG. 1.

The broken lines in the Figures are included for the purpose of illustrating portions of the article and form no part of the claimed design.

**1 Claim, 4 Drawing Sheets**



(56)

**References Cited**

## U.S. PATENT DOCUMENTS

D634,315 S \* 3/2011 Nousiainen ..... D14/253  
8,429,845 B1 \* 4/2013 Swan ..... F41G 11/003  
42/124  
D685,052 S \* 6/2013 Mok ..... D22/109  
D698,000 S \* 1/2014 Beckett ..... D22/109  
D700,674 S \* 3/2014 Prieto ..... D22/109  
D713,921 S \* 9/2014 Williams ..... D22/109  
D715,393 S \* 10/2014 Williams ..... D22/109  
D732,631 S \* 6/2015 Cheng ..... D22/109  
D747,432 S \* 1/2016 Cheng ..... D22/109  
D753,784 S \* 4/2016 Montes ..... D22/108  
D755,342 S \* 5/2016 Ding ..... D22/109  
9,423,216 B2 \* 8/2016 Cheng ..... F41G 11/001  
2008/0178511 A1 \* 7/2008 Storch ..... F41G 11/003  
42/90  
2009/0101776 A1 \* 4/2009 Peterson ..... F41G 11/001  
248/205.1  
2015/0316354 A1 \* 11/2015 Cheng ..... F41G 11/001  
42/90  
2016/0209176 A1 \* 7/2016 Zimmer ..... F41G 11/004

## OTHER PUBLICATIONS

Leupold Mark 2 Integral Mounting System PicatinnyStyle Mount AR15 FlatTop Matte, posted at Midway, comment posting date Dec. 1, 2014. [online], [site visited Oct. 17, 2016]. Available from Internet, <URL: <http://www.midwayusa.com/product/1362291726/leupold-mark-2-integral-mounting-system-ims-1-piece-picatinny-style-mount-ar-15-flat-top-matte>>.\*

\* cited by examiner

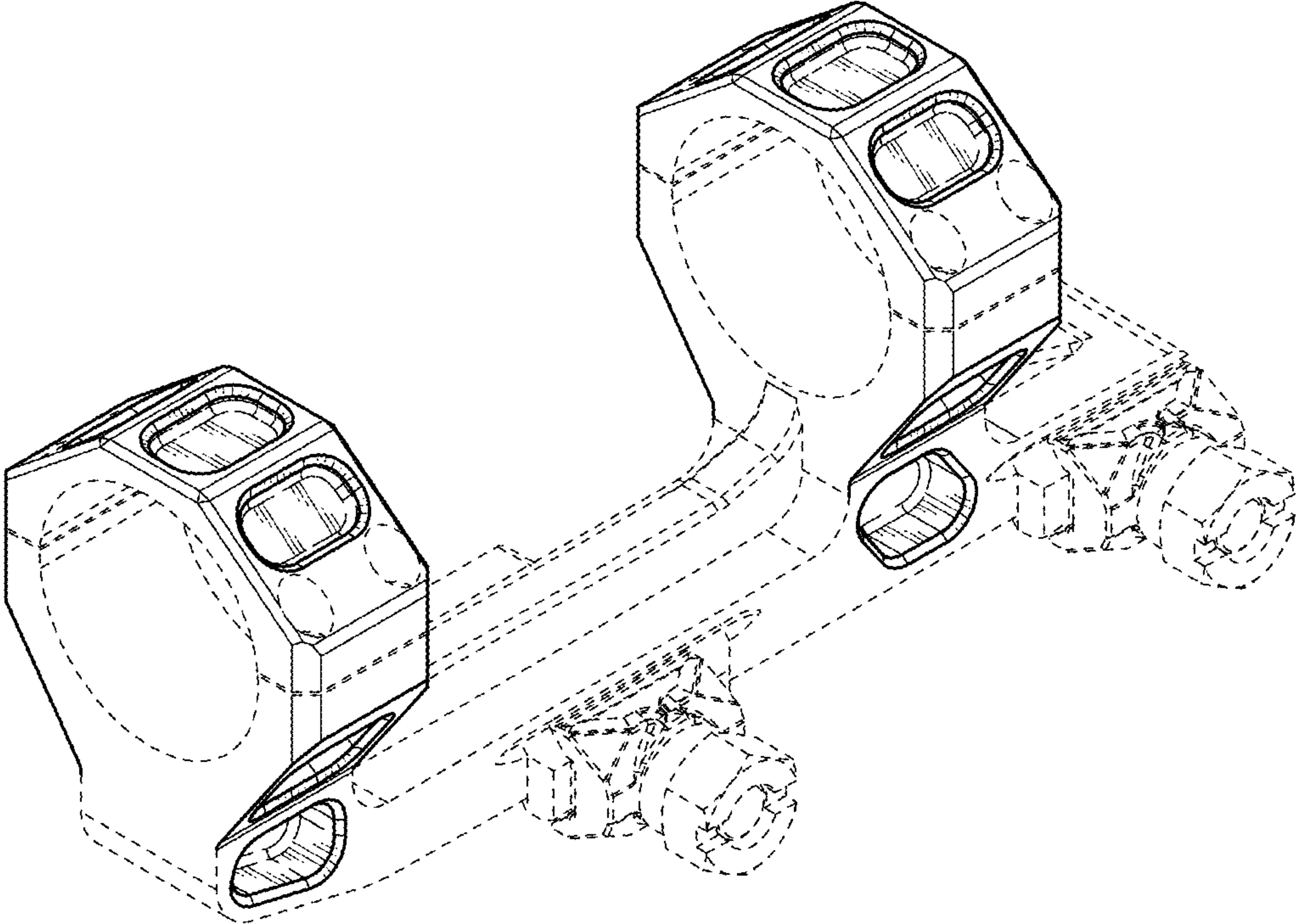


FIG. 1

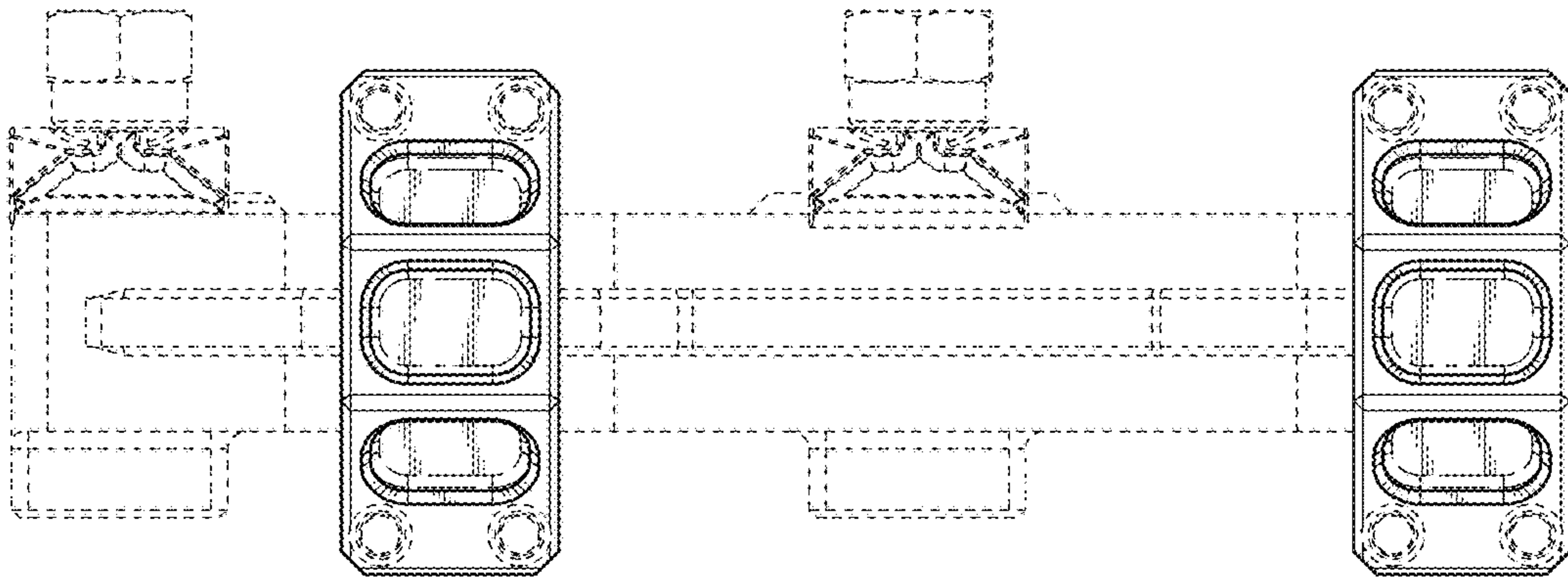


FIG. 2

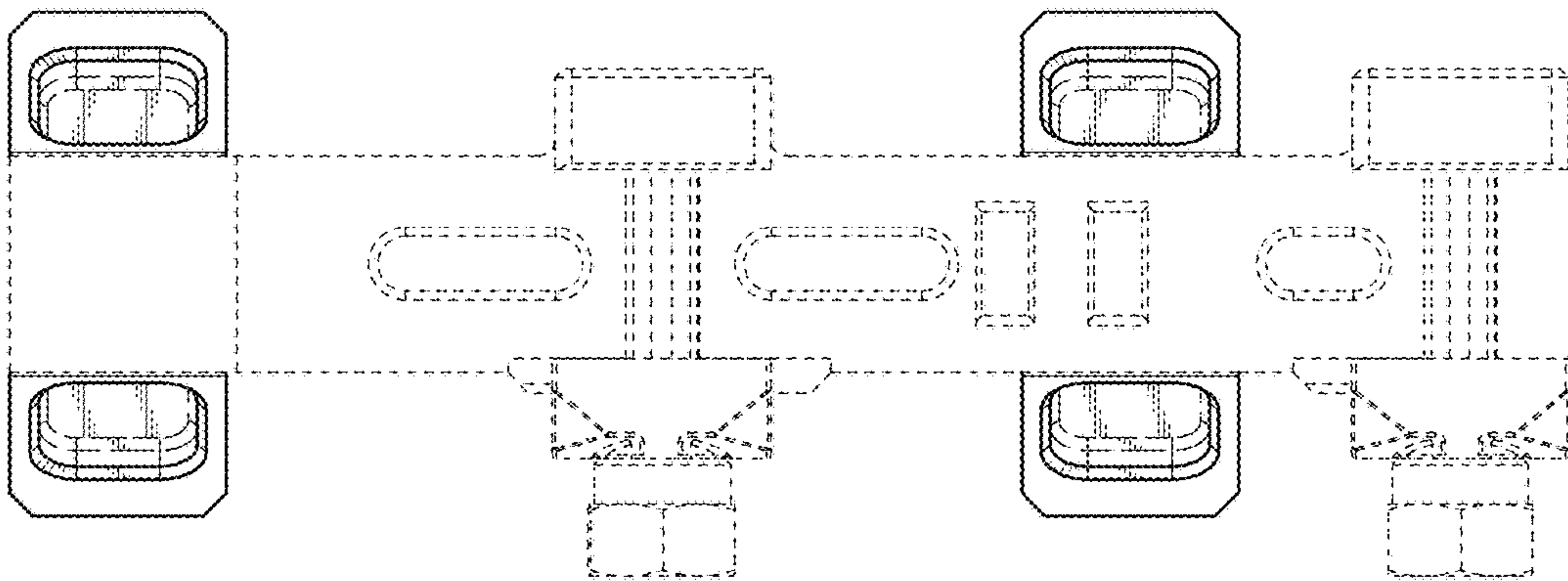


FIG. 3



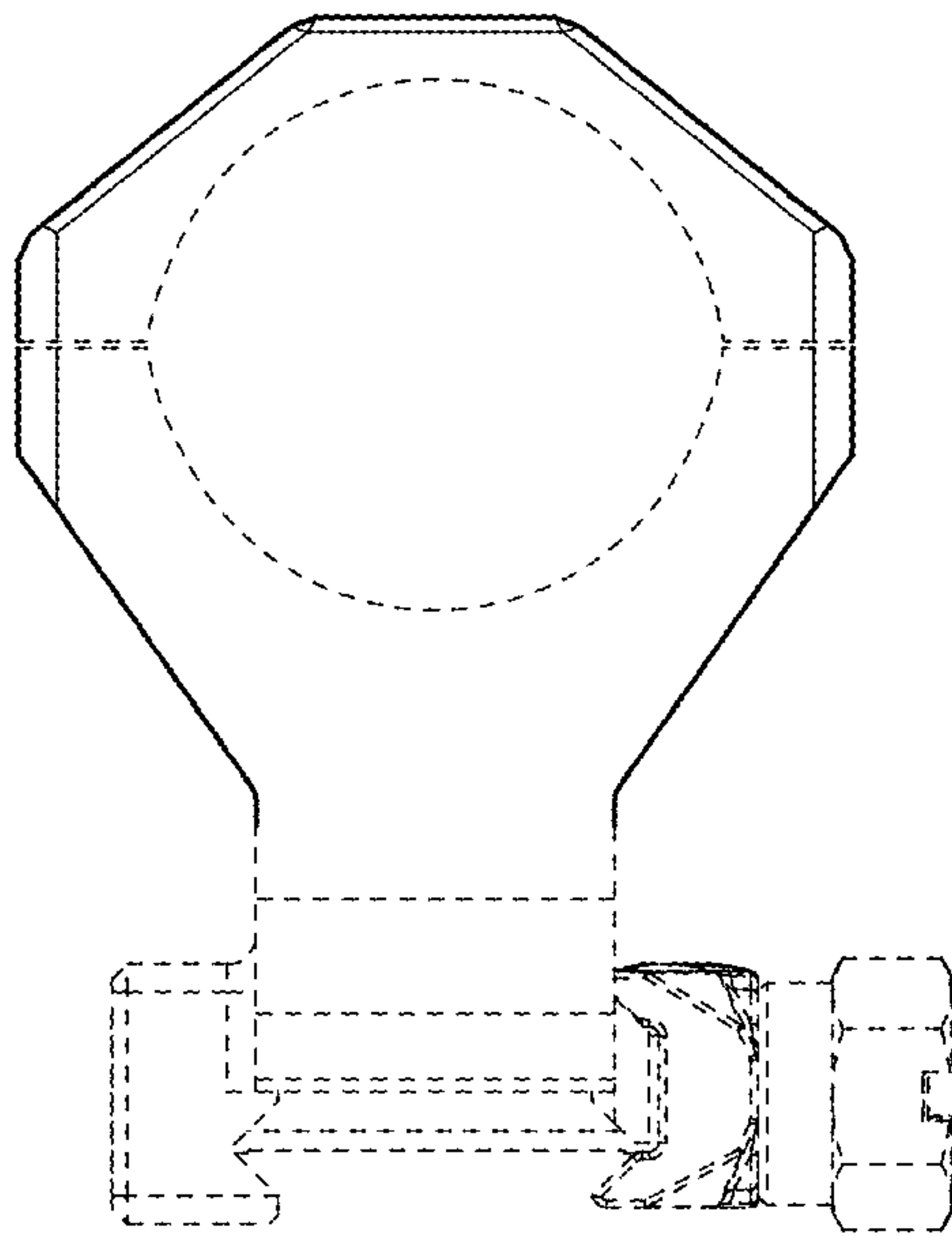


FIG. 4

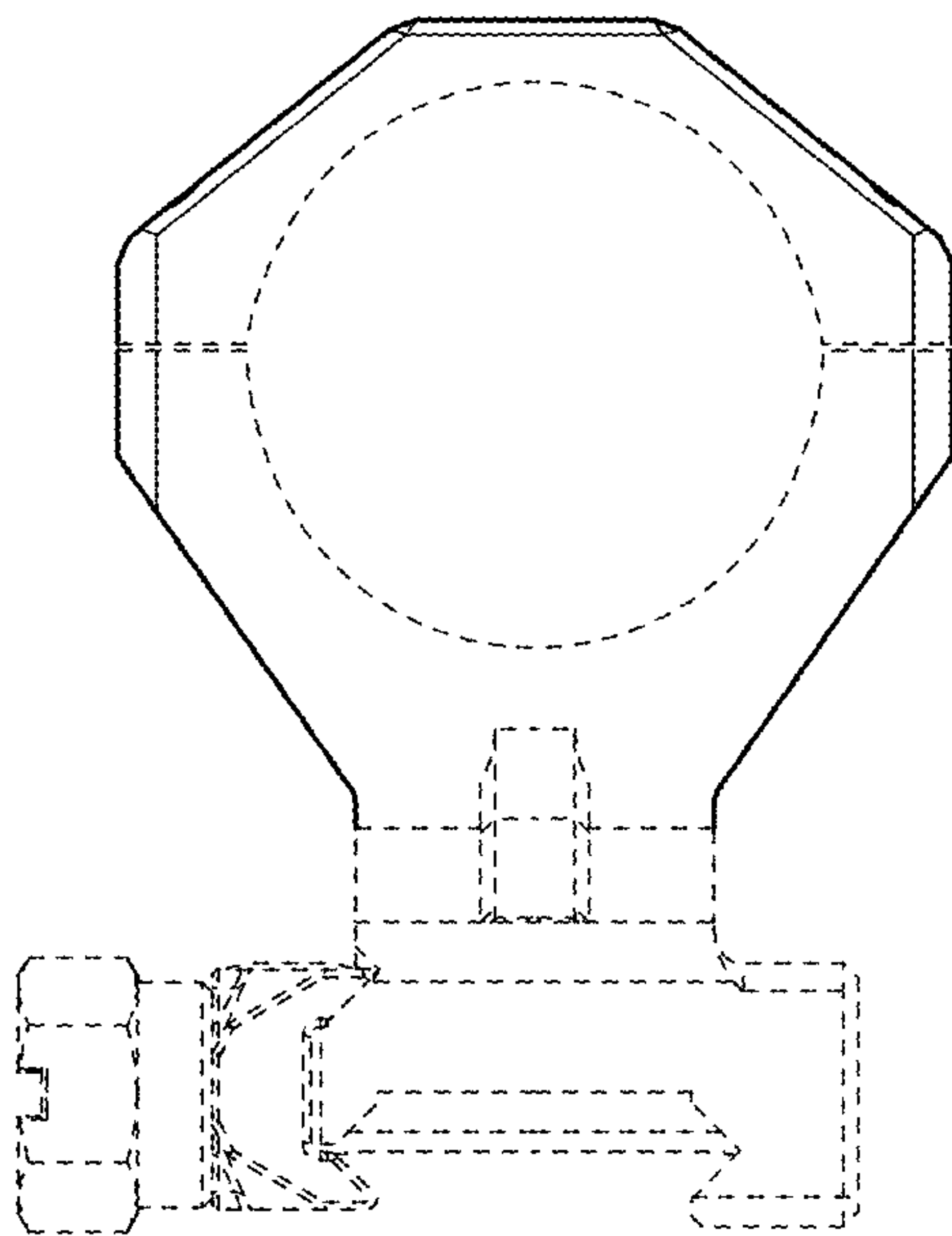


FIG. 5

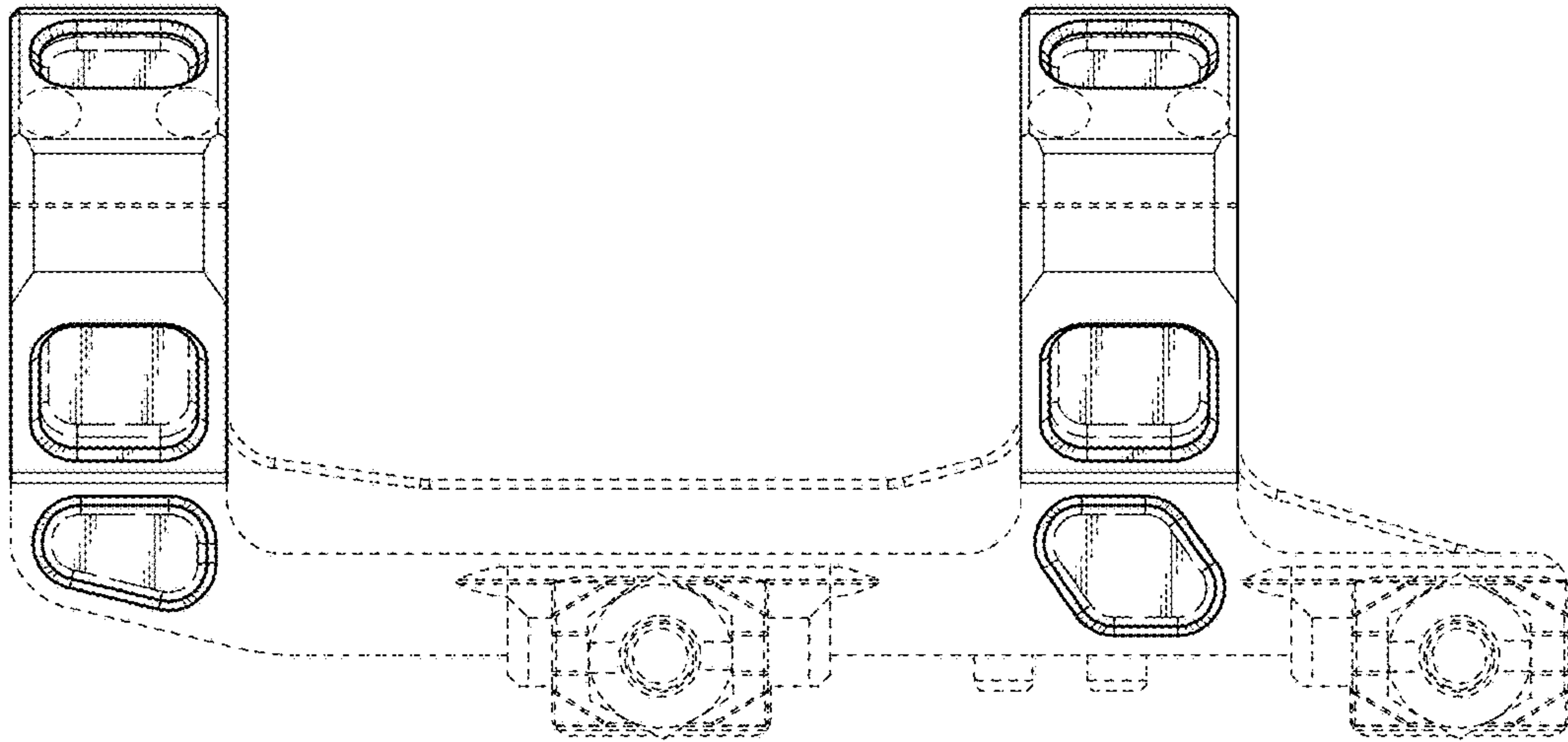


FIG. 6

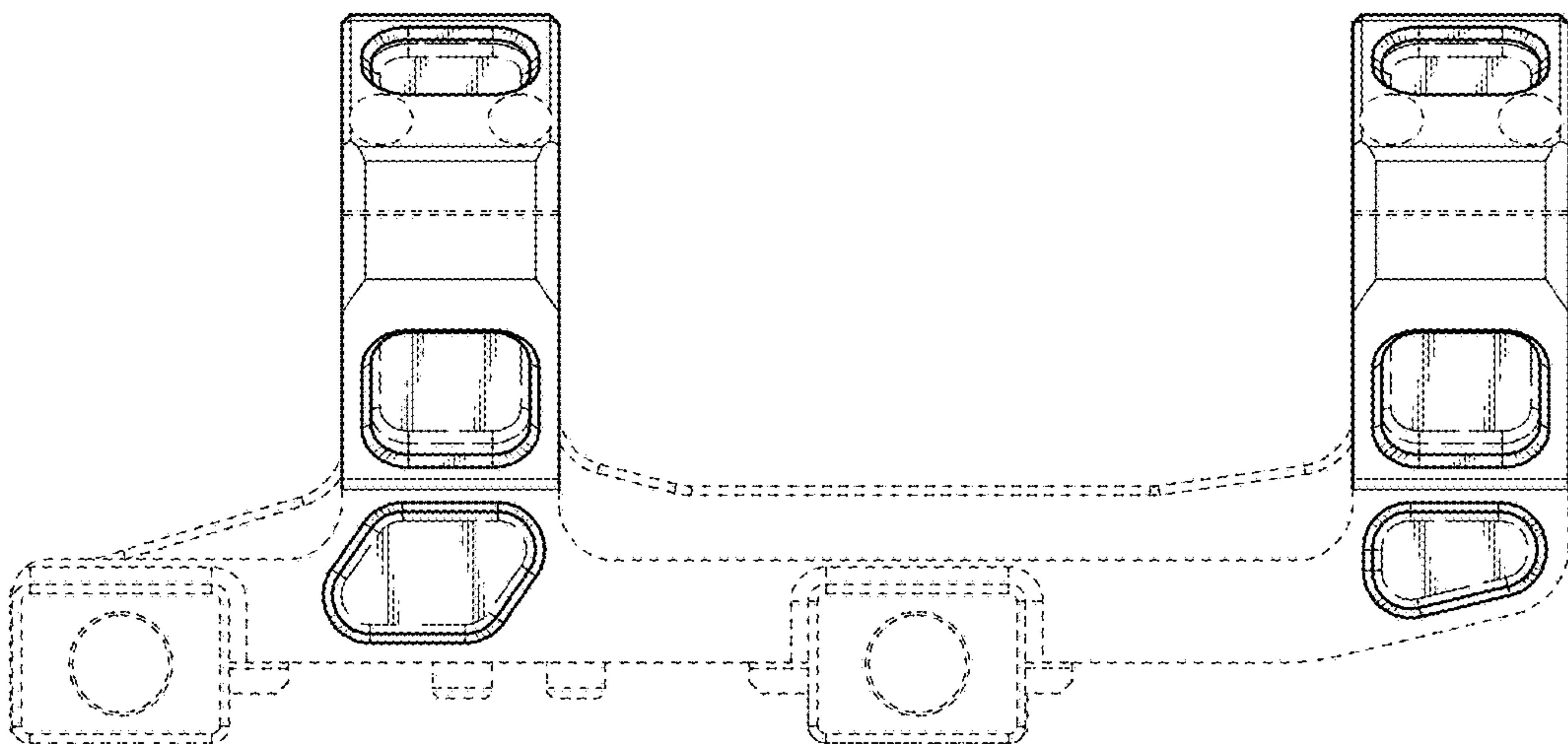


FIG. 7