



US00D779622S

(12) **United States Design Patent**  
**Thomas et al.**

(10) **Patent No.:** **US D779,622 S**

(45) **Date of Patent:** **\*\* Feb. 21, 2017**

(54) **RIFLE SCOPE**

(71) Applicant: **KRUGER OPTICAL, INC.**, Tigard,  
OR (US)

(72) Inventors: **Mark A. Thomas**, Sisters, OR (US);  
**Mitchell Thomas**, Sisters, OR (US);  
**Neil Mai**, Beaverton, OR (US)

(73) Assignee: **KRUGER OPTICAL, INC.**, Tigard,  
OR (US)

(\*\*) Term: **14 Years**

(21) Appl. No.: **29/523,579**

(22) Filed: **Apr. 10, 2015**

(51) **LOC (10) Cl.** ..... **22-01**

(52) **U.S. Cl.**  
USPC ..... **D22/109**

(58) **Field of Classification Search**  
USPC ..... D22/109-110; D16/132, 130, 133, 330,  
D16/134  
CPC .... F41G 11/001; F41G 11/003; F41G 11/004;  
F41G 1/00; F41G 1/38; F41G 11/005  
See application file for complete search history.

(56) **References Cited**

**U.S. PATENT DOCUMENTS**

D308,981 S \* 7/1990 Moore ..... D16/132  
D635,702 S 4/2011 Hesse et al.  
D667,521 S \* 9/2012 Hoshi ..... D22/109

D668,312 S \* 10/2012 Asano ..... D22/109  
D674,863 S \* 1/2013 Burzel ..... D22/109  
D681,152 S \* 4/2013 Burzel ..... D22/109  
D687,916 S \* 8/2013 Burzel ..... D22/109

(Continued)

*Primary Examiner* — Michael A Pratt

(74) *Attorney, Agent, or Firm* — Timothy E. Siegel Patent  
Law, PLLC; Timothy E. Siegel

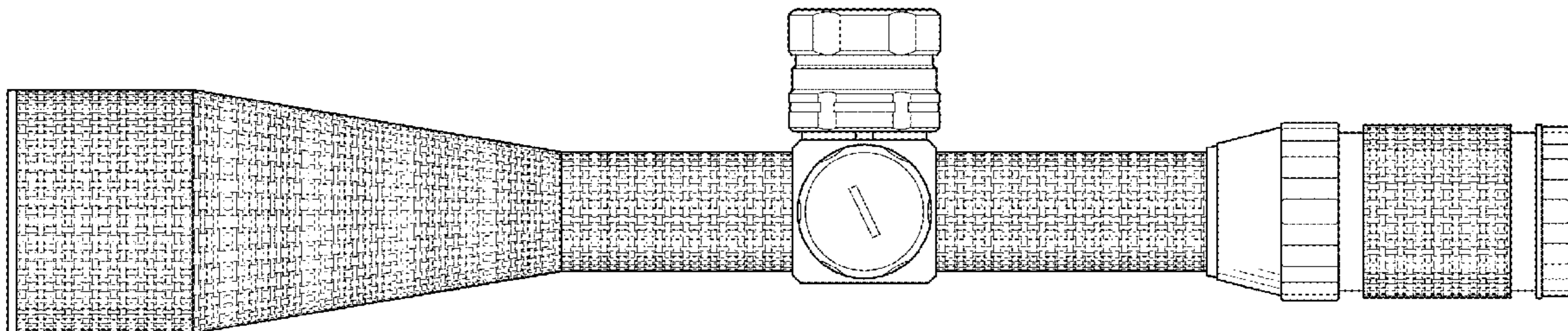
(57) **CLAIM**

The ornamental design for a rifle scope, as shown and  
described.

**DESCRIPTION**

FIG. 1 is a left side view of a first embodiment of a rifle  
scope in accordance with the present invention.  
FIG. 2 is a front view of the rifle scope of FIG. 1;  
FIG. 3 is a rear view of the rifle scope of FIG. 1;  
FIG. 4 is a right side view of the rifle scope of FIG. 1;  
FIG. 5 is a top view of the rifle scope of FIG. 1;  
FIG. 6 is a bottom view of the rifle scope of FIG. 1;  
FIG. 7 is a left side view of a second embodiment of a rifle  
scope in accordance with the present invention;  
FIG. 8 is a front view of the rifle scope of FIG. 7;  
FIG. 9 is a rear view of the rifle scope of FIG. 7;  
FIG. 10 is a right side view of the rifle scope of FIG. 7;  
FIG. 11 is a top view of the rifle scope of FIG. 7; and,  
FIG. 12 is a bottom view of the rifle scope of FIG. 7.  
For FIGS. 7-12 the stippling indicates a woven design, such  
as the woven design shown in FIGS. 1-6, but also encom-  
passing other weave patterns, whereas the portions that do  
not show stippling indicate smooth material, formed into  
parts having the features shown.

**1 Claim, 4 Drawing Sheets**



(56)

**References Cited**

U.S. PATENT DOCUMENTS

D689,163	S	*	9/2013	Radau	.....	D22/109
D689,582	S	*	9/2013	Radau	.....	D22/109
D707,324	S	*	6/2014	Radau	.....	D22/109
D723,652	S	*	3/2015	Radau	.....	D22/109
D728,060	S	*	4/2015	Vogl	.....	D22/109
D756,480	S	*	5/2016	Kay	.....	D22/109
2015/0124243	A1	*	5/2015	Stockdill	.....	F41G 1/38 356/16

\* cited by examiner

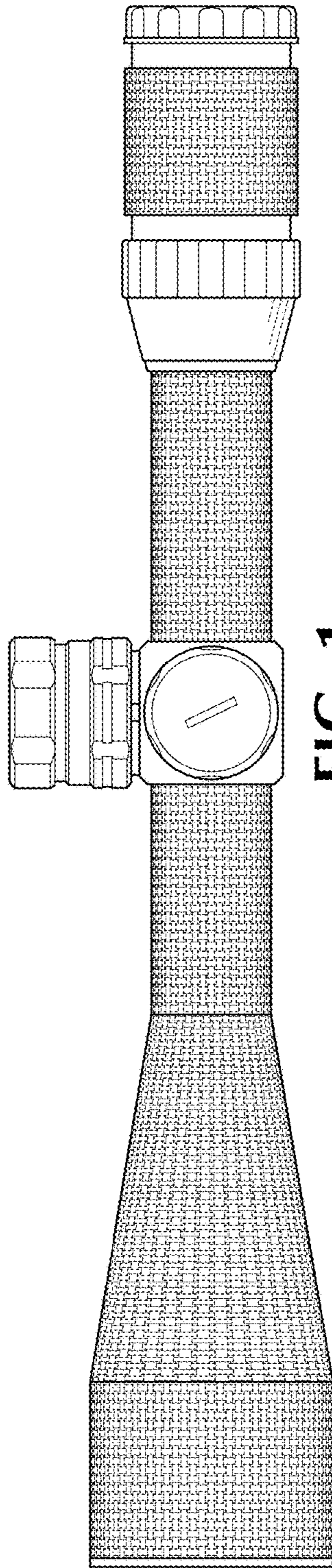


FIG. 1

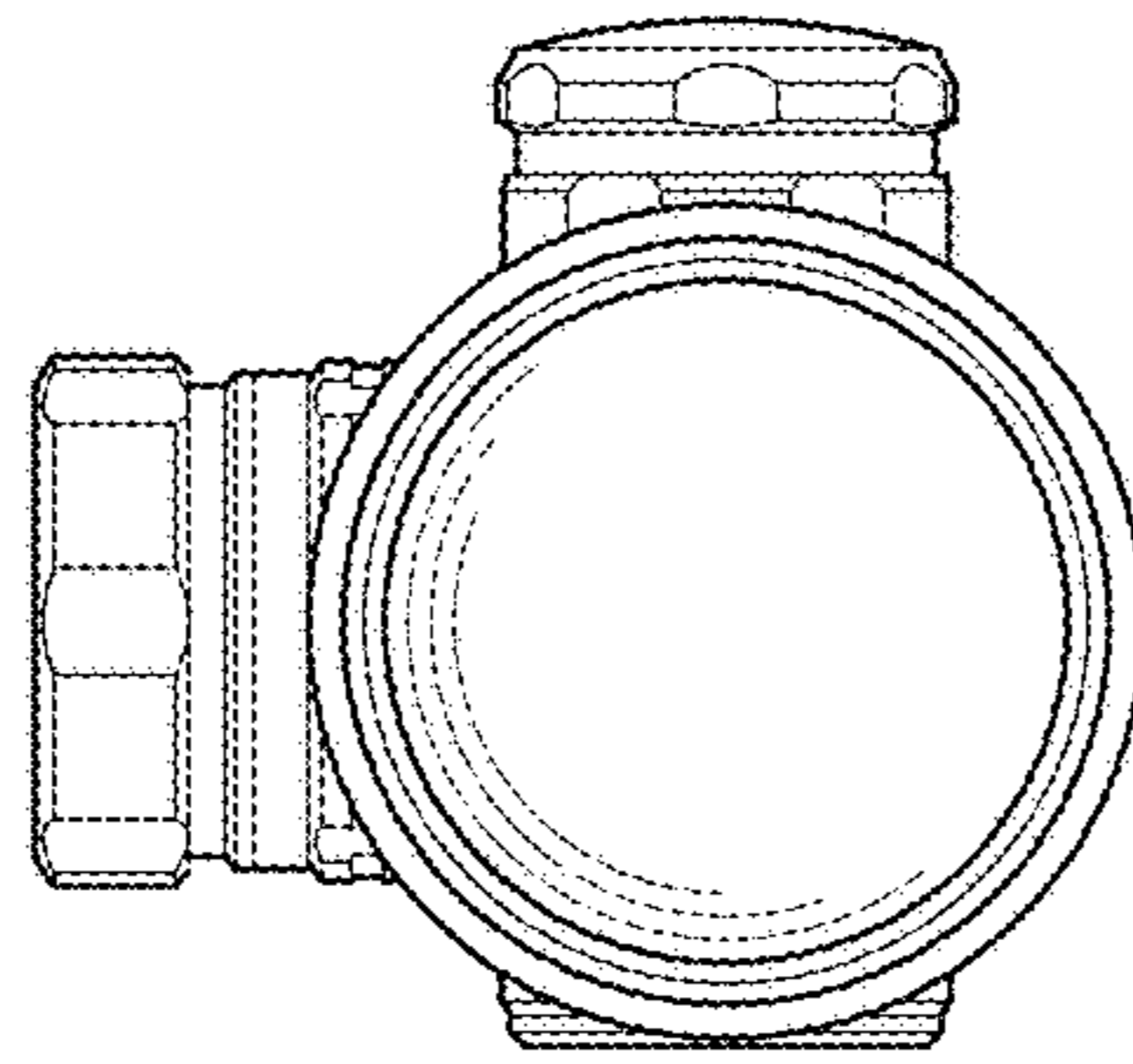


FIG. 2

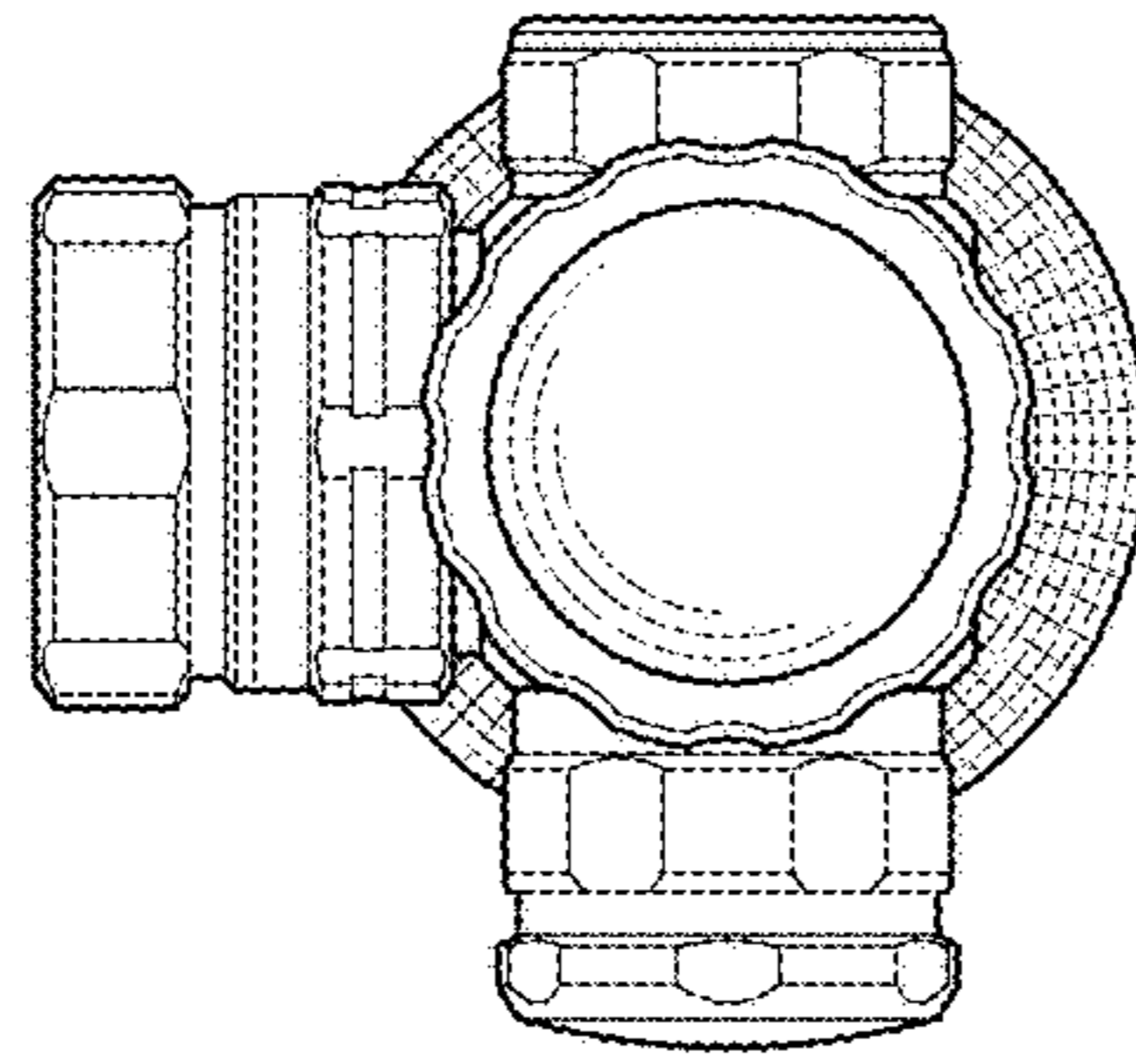


FIG. 3

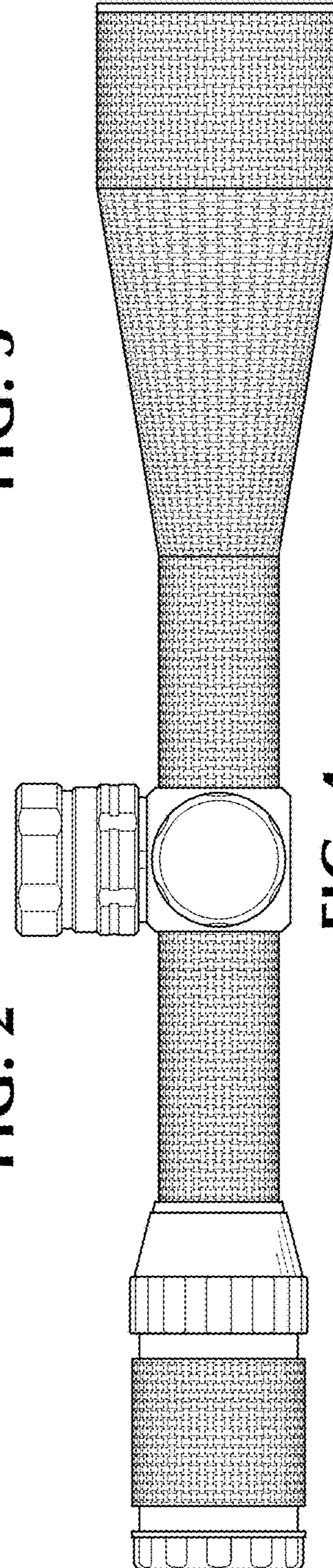


FIG. 4

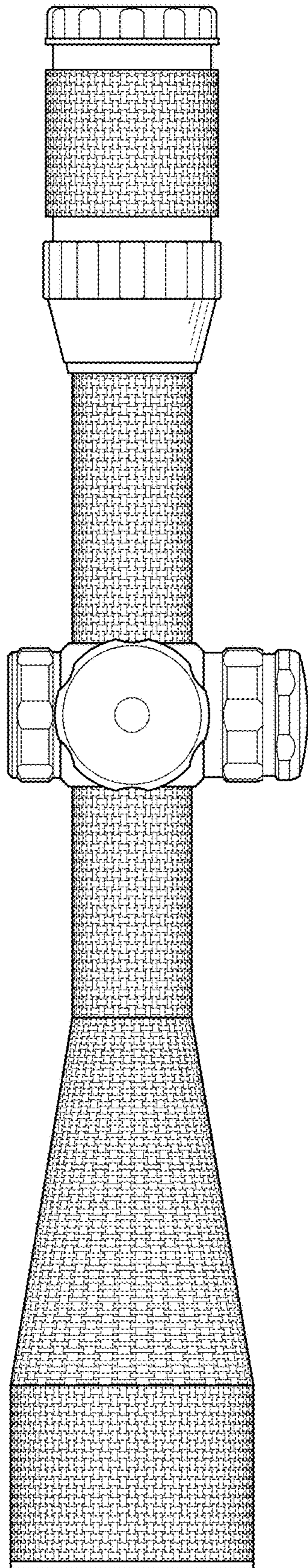


FIG. 5

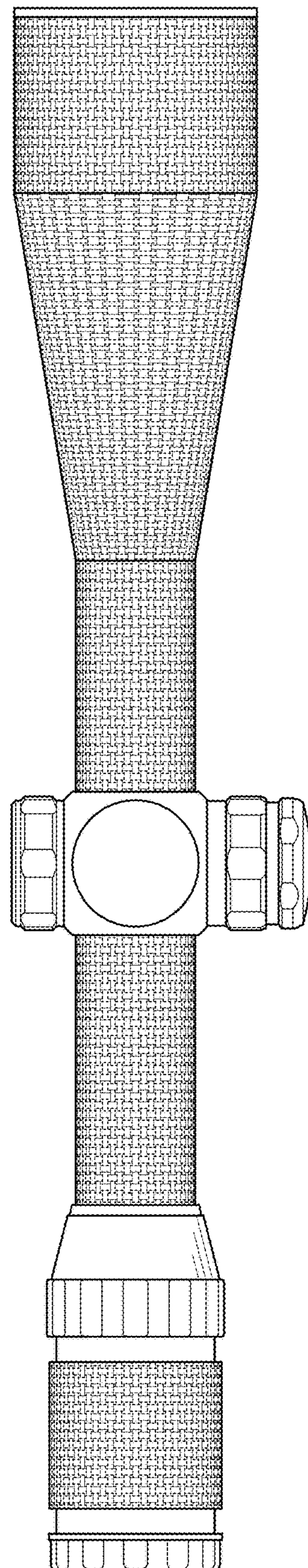


FIG. 6

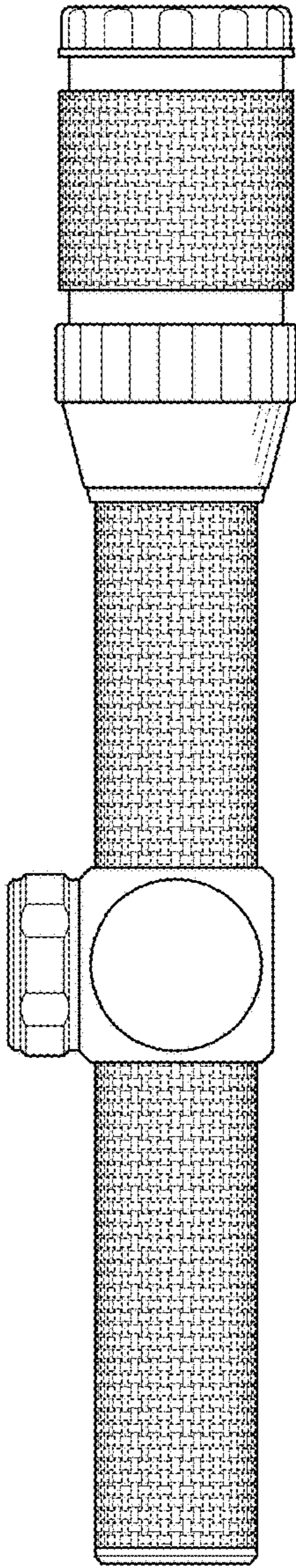


FIG. 7

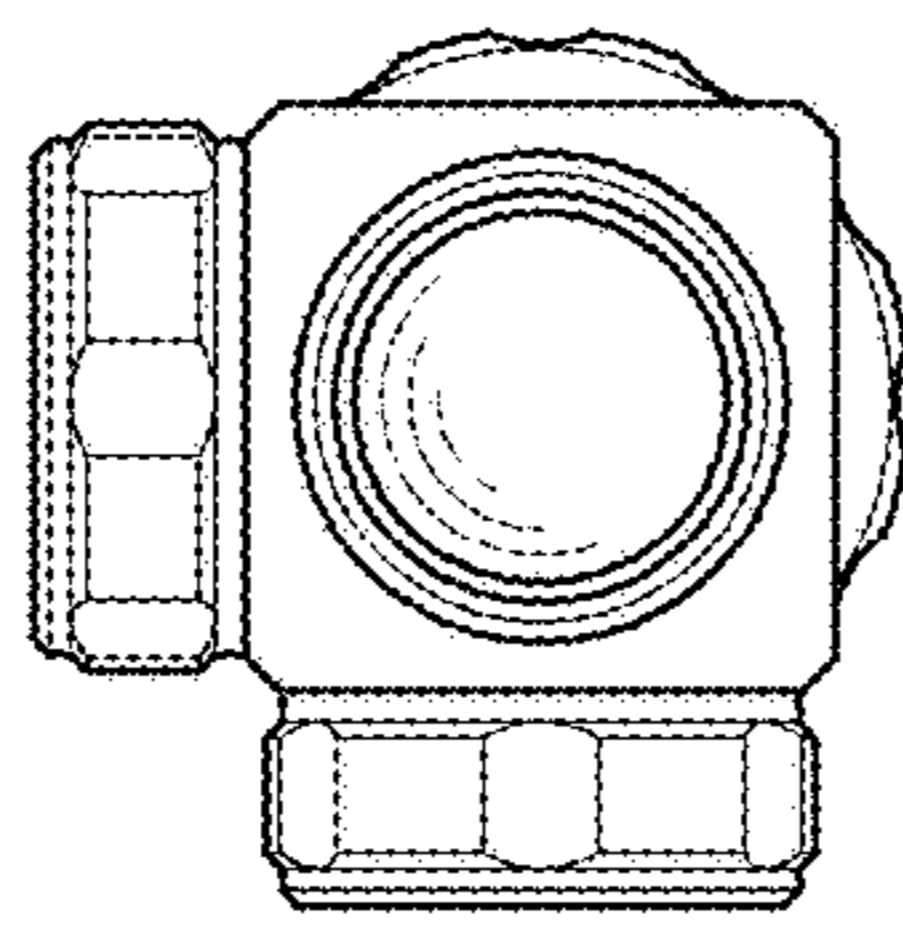


FIG. 8

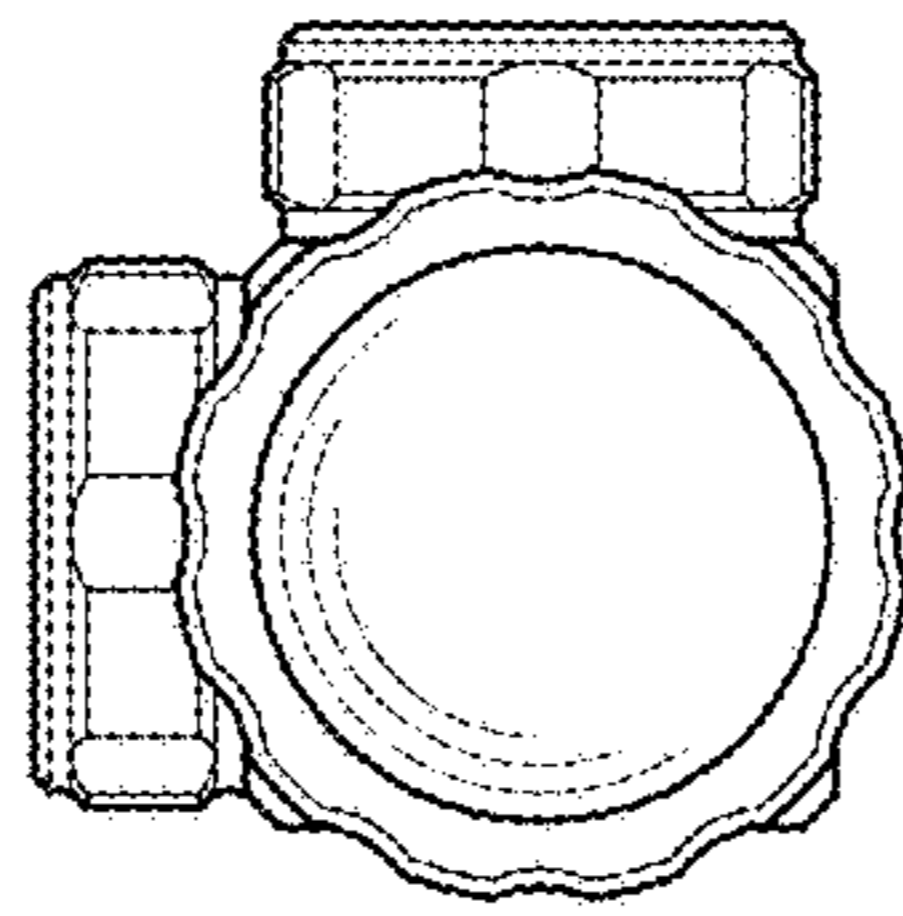


FIG. 9

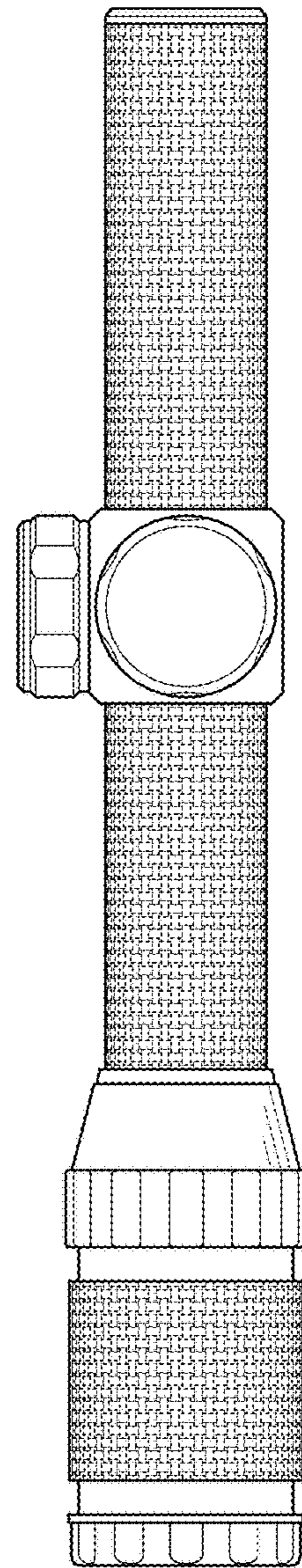
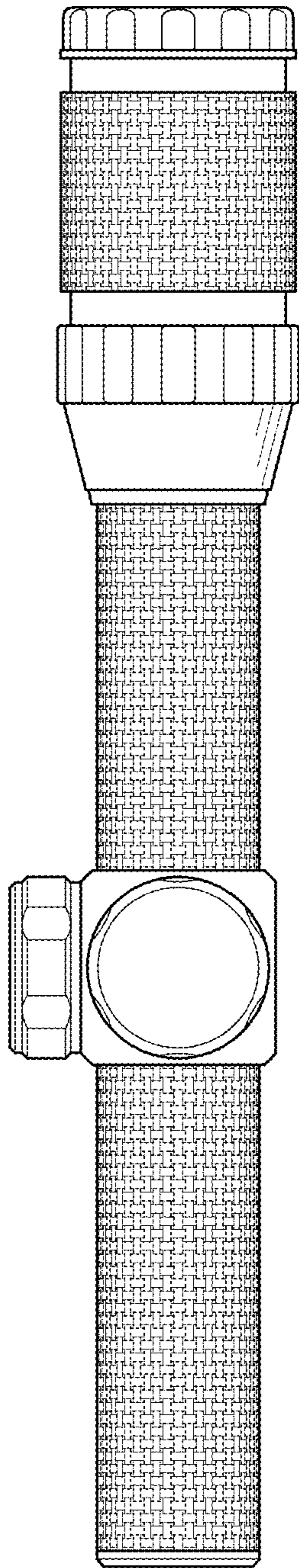
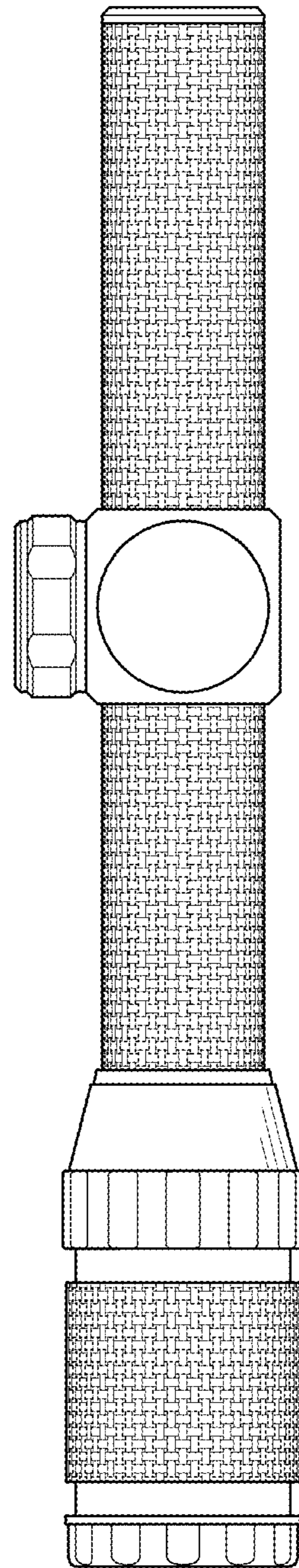


FIG. 10



**FIG. 11**



**FIG. 12**