



US00D779620S

(12) **United States Design Patent** (10) **Patent No.:** **US D779,620 S**
Huang (45) **Date of Patent:** **** Feb. 21, 2017**

(54) **ENHANCED MAGAZINE RELEASE**

(71) Applicant: **George Huang**, Henderson, NV (US)

(72) Inventor: **George Huang**, Henderson, NV (US)

(**) Term: **15 Years**

(21) Appl. No.: **29/549,829**

(22) Filed: **Dec. 28, 2015**

(51) **LOC (10) Cl.** **22-01**

(52) **U.S. Cl.**
USPC **D22/108**

(58) **Field of Classification Search**
USPC D22/108, 100, 104, 199; 42/6, 7, 49.1,
42/42.5, 42.51; D11/218
(Continued)

(56) **References Cited**

U.S. PATENT DOCUMENTS

4,521,985 A * 6/1985 Smith F41A 17/38
42/7
4,539,770 A * 9/1985 Bornancini F41A 17/38
42/7

(Continued)

FOREIGN PATENT DOCUMENTS

DE 10321993 * 12/2004 F41A 17/38
UA WO2012018317 * 2/2012 F41A 3/00

OTHER PUBLICATIONS

BAD-EMMR Enhanced Modular Magazine Release—Large Black, BattleArms TV, YouTube.com, Uploaded on Jun. 22, 2016, [online], [site visited Oct. 12, 2016]. <URL: <https://www.youtube.com/watch?v=suGKq4q-kxk&feature=youtu.be>>.*

(Continued)

Primary Examiner — T. Chase Nelson

Assistant Examiner — Jonathan J Han

(74) *Attorney, Agent, or Firm* — Shaddock Law Group, PC

(57) **CLAIM**

The ornamental design for an enhanced magazine release, as shown and described.

DESCRIPTION

FIG. 1 is a right, rear, upper perspective view of the first embodiment of an enhanced magazine release, showing my new design;

FIG. 2 is a right, rear, lower perspective view thereof;

FIG. 3 is a left, upper perspective view thereof;

FIG. 4 is a left, lower perspective view thereof;

FIG. 5 is a front, upper perspective view thereof;

FIG. 6 is a front, lower perspective view thereof;

FIG. 7 is a rear, upper perspective view thereof;

FIG. 8 is a rear, lower perspective view thereof;

FIG. 9 is a top view thereof;

FIG. 10 is a bottom view thereof;

FIG. 11 is a front view thereof;

FIG. 12 is a rear view thereof;

FIG. 13 is a left side view thereof;

FIG. 14 is a right side view thereof;

FIG. 15 is a right, rear, upper perspective view of the second embodiment of an enhanced magazine release, showing my new design;

FIG. 16 is a right, rear, lower perspective view thereof;

FIG. 17 is a front, upper perspective view thereof;

FIG. 18 is a front, lower perspective view thereof;

FIG. 19 is a left, upper perspective view thereof;

FIG. 20 is a left, lower perspective view thereof;

FIG. 21 is a right, upper perspective view thereof;

FIG. 22 is a right, lower perspective view thereof;

FIG. 23 is a top view thereof;

FIG. 24 is a bottom view thereof;

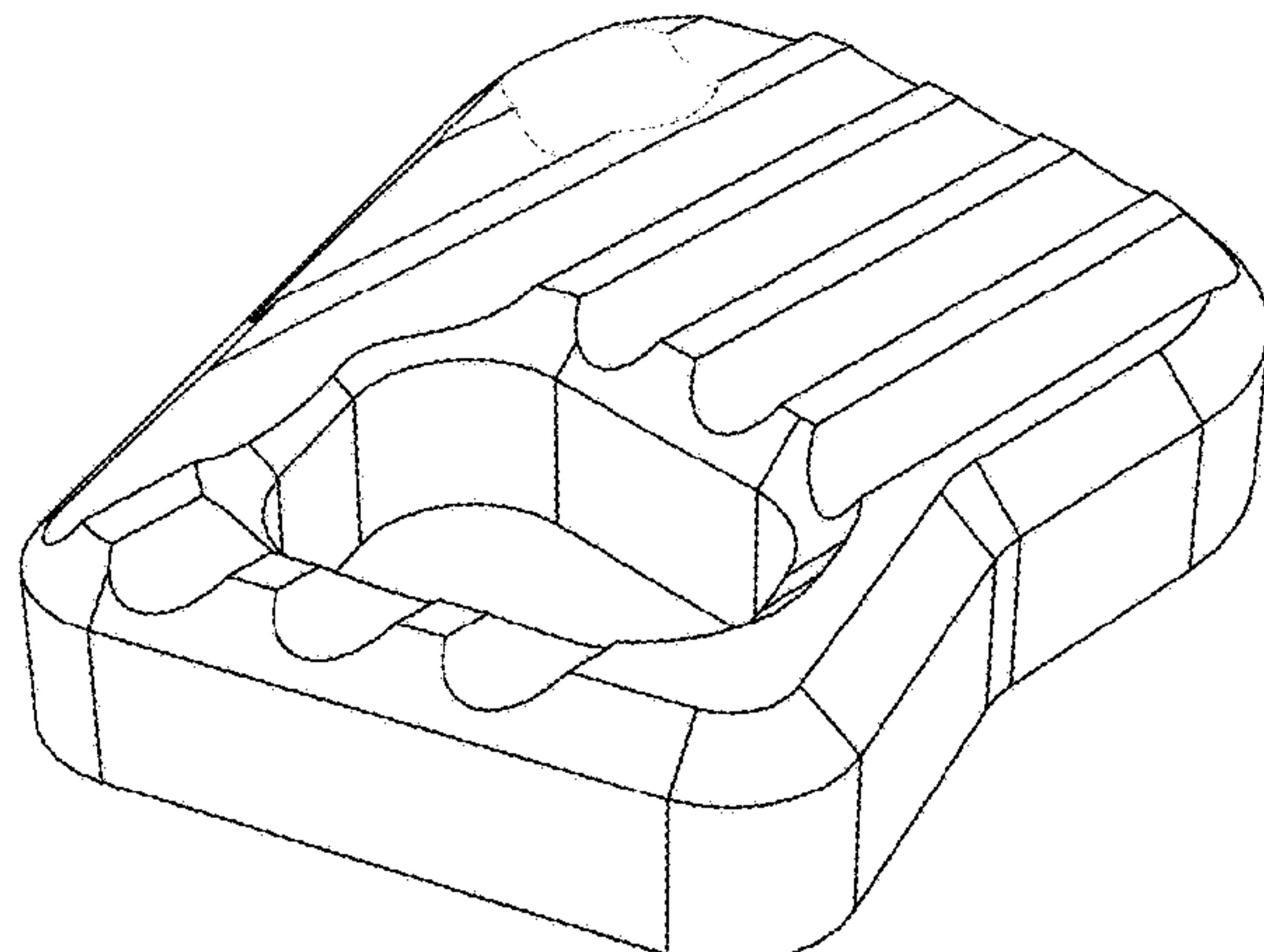
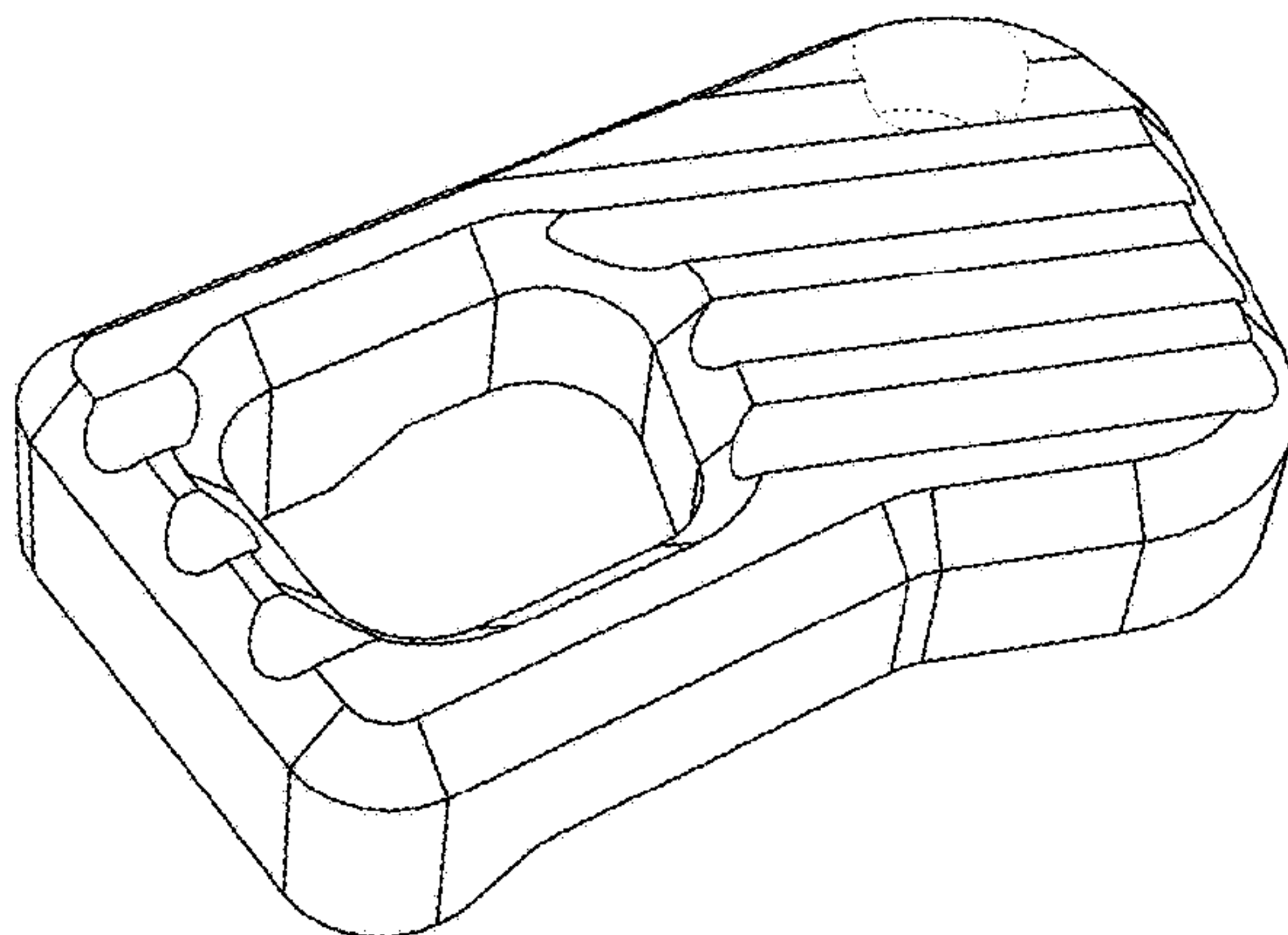
FIG. 25 is a left side view thereof;

FIG. 26 is a right side view thereof;

FIG. 27 is a rear view thereof; and,

FIG. 28 is a front view thereof.

(Continued)



The broken lines shown throughout the various figures depict additional structures that form no part of the claimed design.

1 Claim, 14 Drawing Sheets

(58) **Field of Classification Search**

CPC F41A 3/00; F41A 17/00; F41A 17/38;
F41A 35/06; F41A 9/61; F41C
25/06; F41C 27/00

See application file for complete search history.

(56) **References Cited**

U.S. PATENT DOCUMENTS

4,573,280 A * 3/1986 Malhotra F41A 17/38
42/7
D288,279 S * 2/1987 Chesnut D22/108
4,713,902 A * 12/1987 Wigton F41A 35/06
42/7
4,759,144 A * 7/1988 Egan F41A 35/06
42/7
4,835,892 A * 6/1989 Ruger F41A 35/06
42/7
4,899,476 A * 2/1990 Hindle F41A 17/38
42/7
5,406,731 A * 4/1995 Stevens F41C 23/10
42/71.02
D359,098 S * 6/1995 Stevens D22/104
5,519,954 A * 5/1996 Garrett F41A 35/06
42/6
5,621,997 A * 4/1997 Pearce F41C 23/10
42/7
D428,101 S * 7/2000 Rost D22/100
D430,916 S * 9/2000 Bubits D22/100
6,141,895 A * 11/2000 Rost F41A 35/06
42/6
D654,978 S * 2/2012 Karanian D22/104
8,166,691 B1 * 5/2012 Karfiol F41A 17/38
42/6
D668,580 S * 10/2012 Kax D11/218
D671,610 S * 11/2012 Nebeker D22/104
D676,094 S * 2/2013 Hu D21/574
D686,059 S * 7/2013 Paik D8/356
D687,509 S * 8/2013 Iannello D11/200
D707,780 S * 6/2014 Heizer D22/104
D709,580 S * 7/2014 Heizer D22/104
D717,392 S * 11/2014 Fu D22/108
D717,905 S * 11/2014 Prince D22/108
8,925,232 B2 * 1/2015 da Silveira F41A 19/12
42/69.02
8,925,233 B2 * 1/2015 Thordsen F41C 27/00
42/50
D731,919 S * 6/2015 Kung D11/218
9,103,626 B1 * 8/2015 Heizer F41C 23/22

D744,049 S * 11/2015 Chu D21/574
9,182,186 B1 * 11/2015 Prince F41A 17/38
9,194,638 B2 * 11/2015 Larson, Jr. F41A 17/38
D752,480 S * 3/2016 Chan D11/218
D755,907 S * 5/2016 Hu D21/574
D764,348 S * 8/2016 Paik D11/216
2010/0263252 A1 * 10/2010 Strayer F41A 35/06
42/7
2010/0281736 A1 * 11/2010 Mayberry F41A 21/481
42/49.01
2010/0287806 A1 * 11/2010 Marfione F41A 35/06
42/7
2010/0325932 A1 * 12/2010 Zukowski F41A 17/46
42/6
2011/0146127 A1 * 6/2011 Metzger F41A 17/38
42/7
2011/0232148 A1 * 9/2011 Cain F41A 17/38
42/6
2012/0198742 A1 * 8/2012 Troy F41A 17/38
42/6
2014/0053444 A1 * 2/2014 Garrett F41A 17/38
42/6

OTHER PUBLICATIONS

BAD-EMMR Enhanced Modular Magazine Release—Large/Black, Battle Arms Development.com, [online], [site visited Oct. 12, 2016]. <URL: <https://www.battlearmsdevelopment.com/bad-emmr-enhanced-modular-magazine-release-large-black>>.*
BAD-EMMR-M-B (Enhanced Modular Magazine Release—Medium Finger Pad), BattleArms TV, YouTube.com, Uploaded on Jun. 22, 2016, [online], [site visited Oct. 12, 2016]. <URL: <https://www.youtube.com/watch?v=OJ4MiYwgSXw&feature=youtu.be>>.*
BAD-EMMR Enhanced Modular Magazine Release—Medium/Black, Battle Arms Development.com, [online], [site visited Oct. 12, 2016]. <URL: <http://www.battlearmsdevelopment.com/bad-emmr-enhanced-modular-magazine-release-medium-black>>.*
New!! BAD-EMMR Enhanced Modular Magazine Release, AR15News.com, Posted on Nov. 1, 2015 by ar15news, [online], [site visited Oct. 12, 2016]. <URL: <http://www.ar15news.com/2015/11/01/new-bad-emmr-enhanced-modular-magazine-release/>>.*
AR EMR AR Extended Magazine Release, TimberCreekOutdoorsInc.com, [online], [site visited Oct. 12, 2016]. <URL: <http://timbercreekoutdoorsinc.com/>>.*
Magpul AR Enhanced Magazine Release, TheFirearmBlog.com, Posted Oct. 7, 2015 in Shooting Accessories by Ray I., [online], [site visited Oct. 12, 2016]. <URL: <http://www.thefirearmblog.com/blog/2015/10/07/magpul-ar-enhanced-magazine-release/>>.*
Ambidextrous Magazine Release (AMR) for AR15 & AR 10 Rifles, TacticalLink.com, [online], [site visited Oct. 12, 2016]. <URL: <http://www.tacticalink.com/High-Velocity-Arms-Gen2-Ambidextrous-Magazine-Release-AMR-for-AR15-and-AR10-Rifles.html>>.*

* cited by examiner

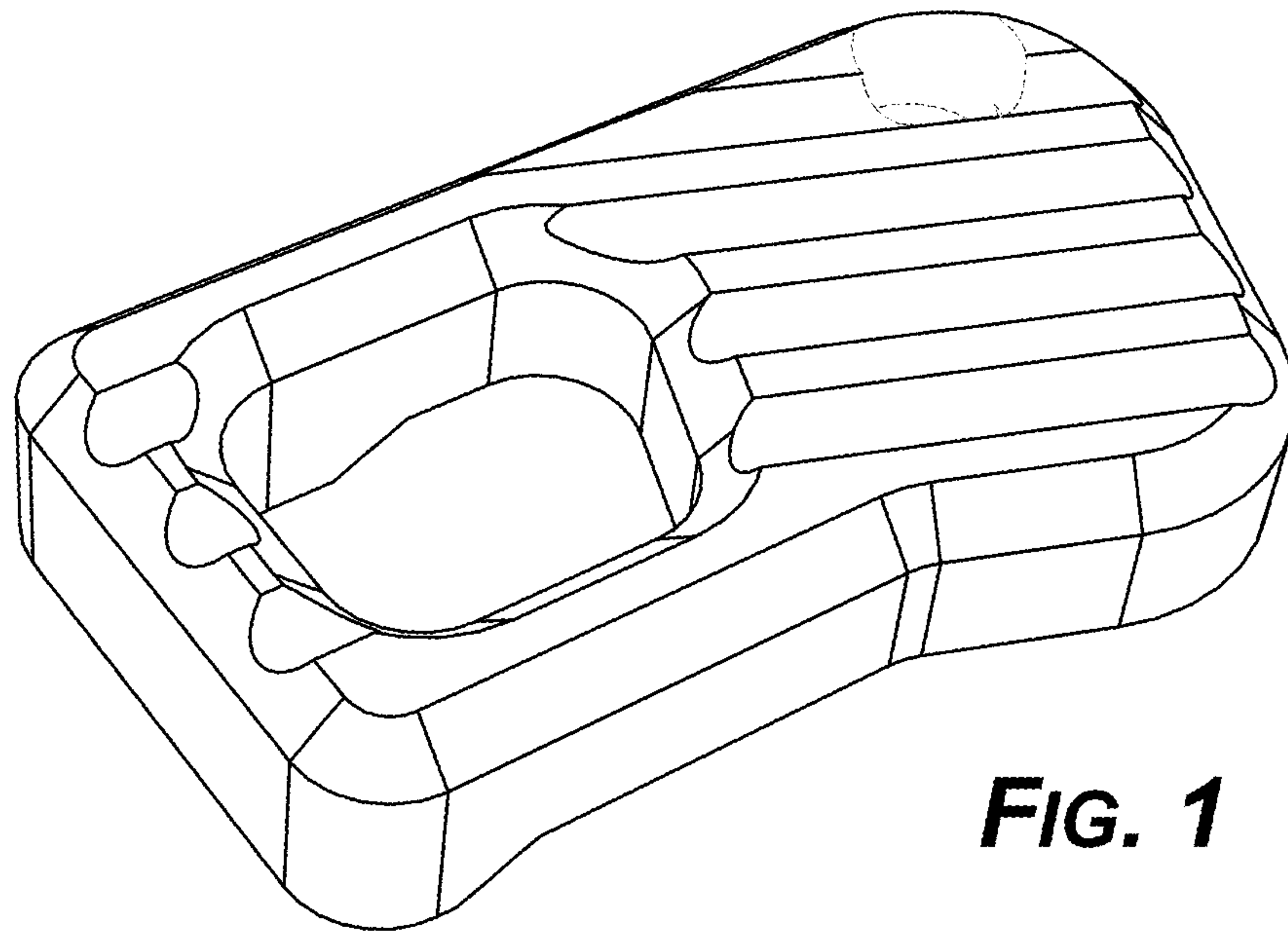


FIG. 1

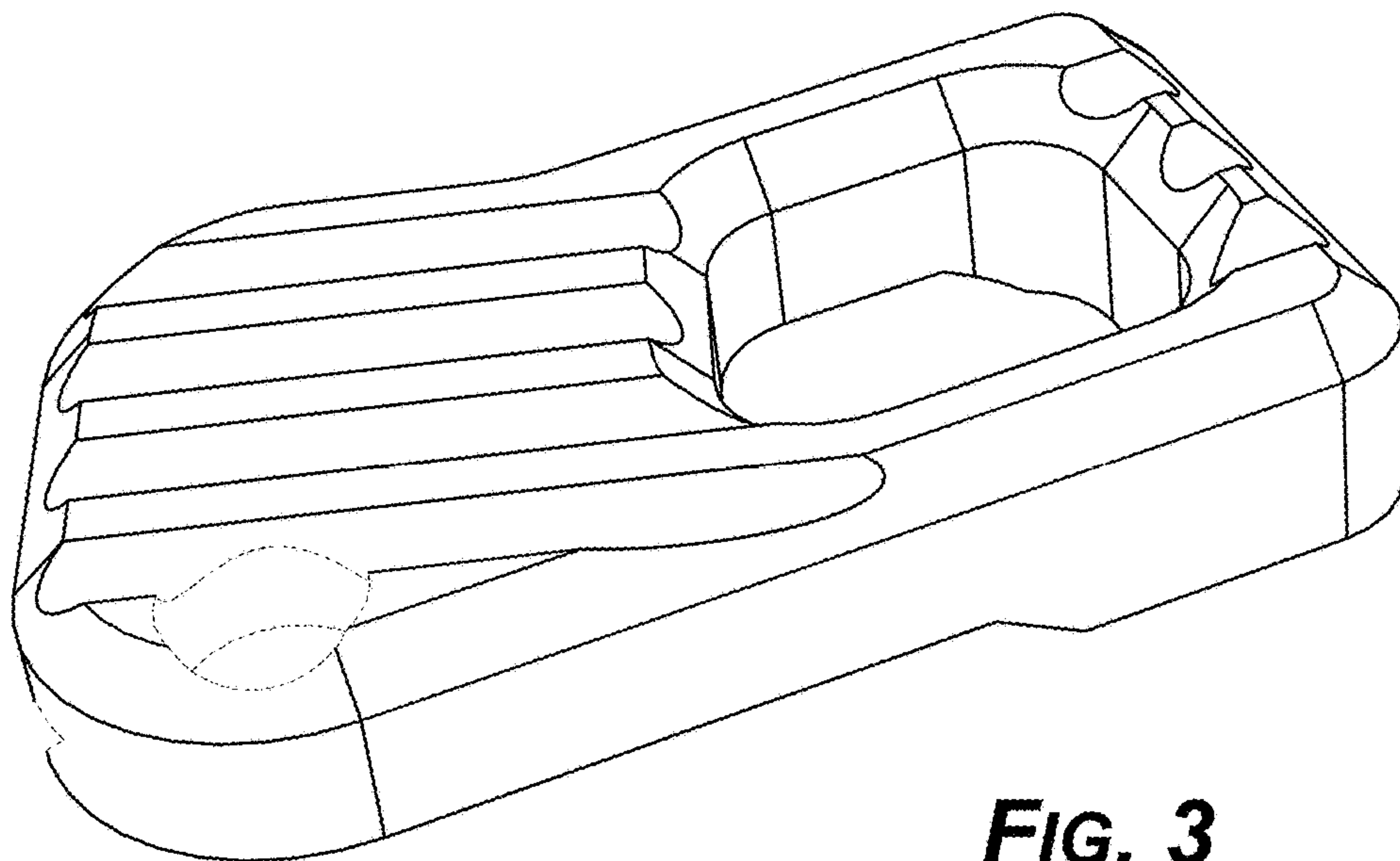


FIG. 3

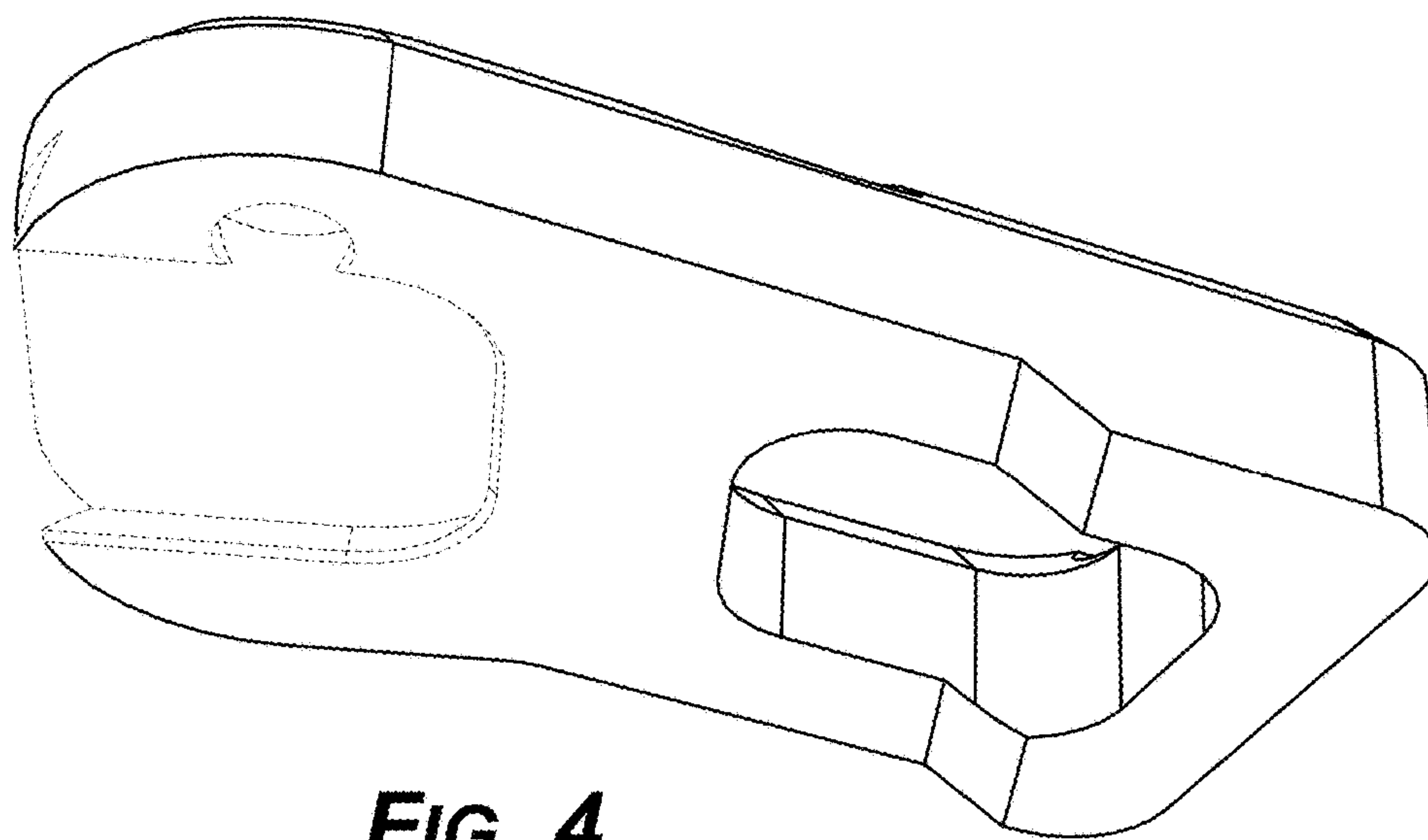


FIG. 4

FIG. 5

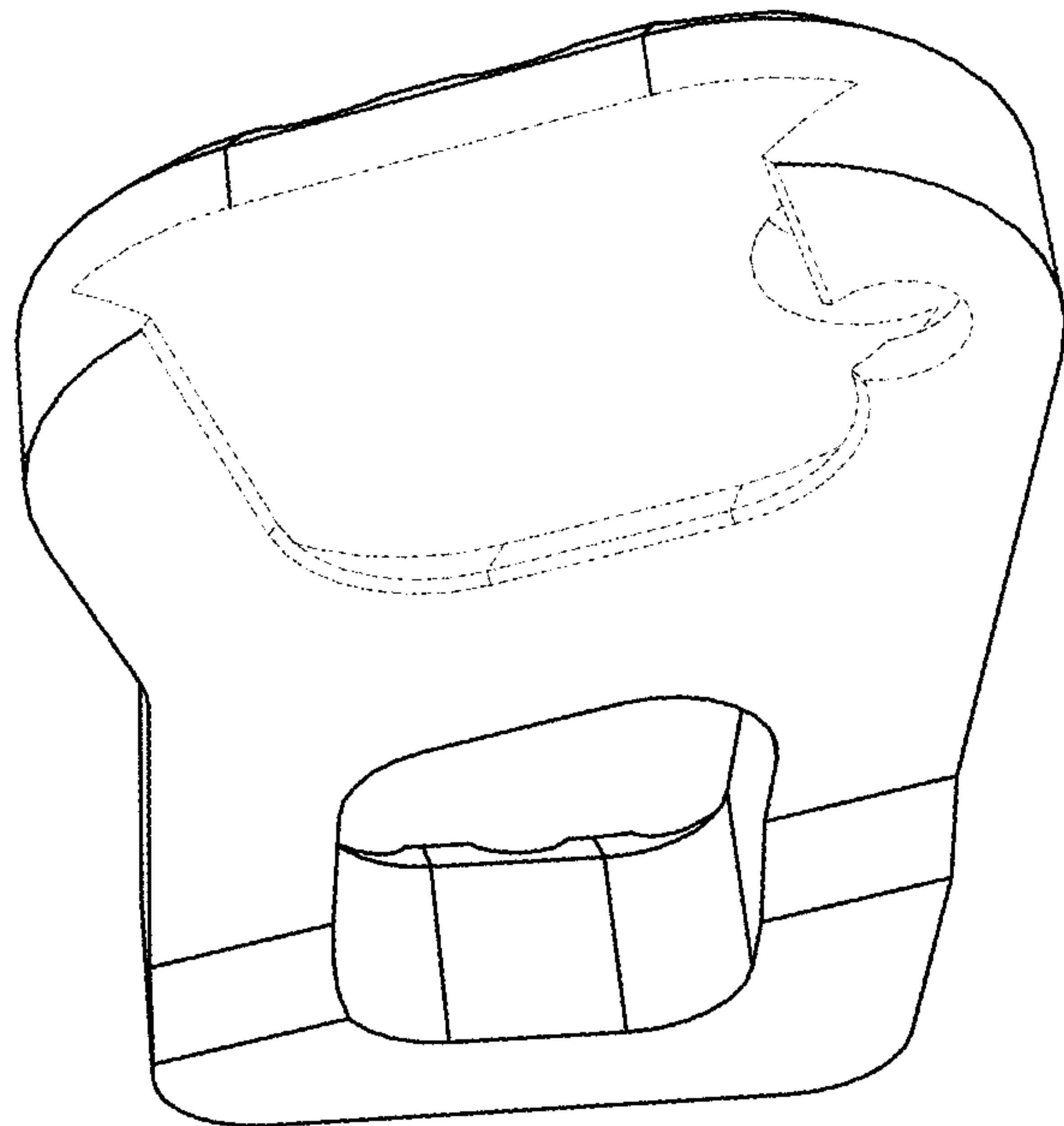
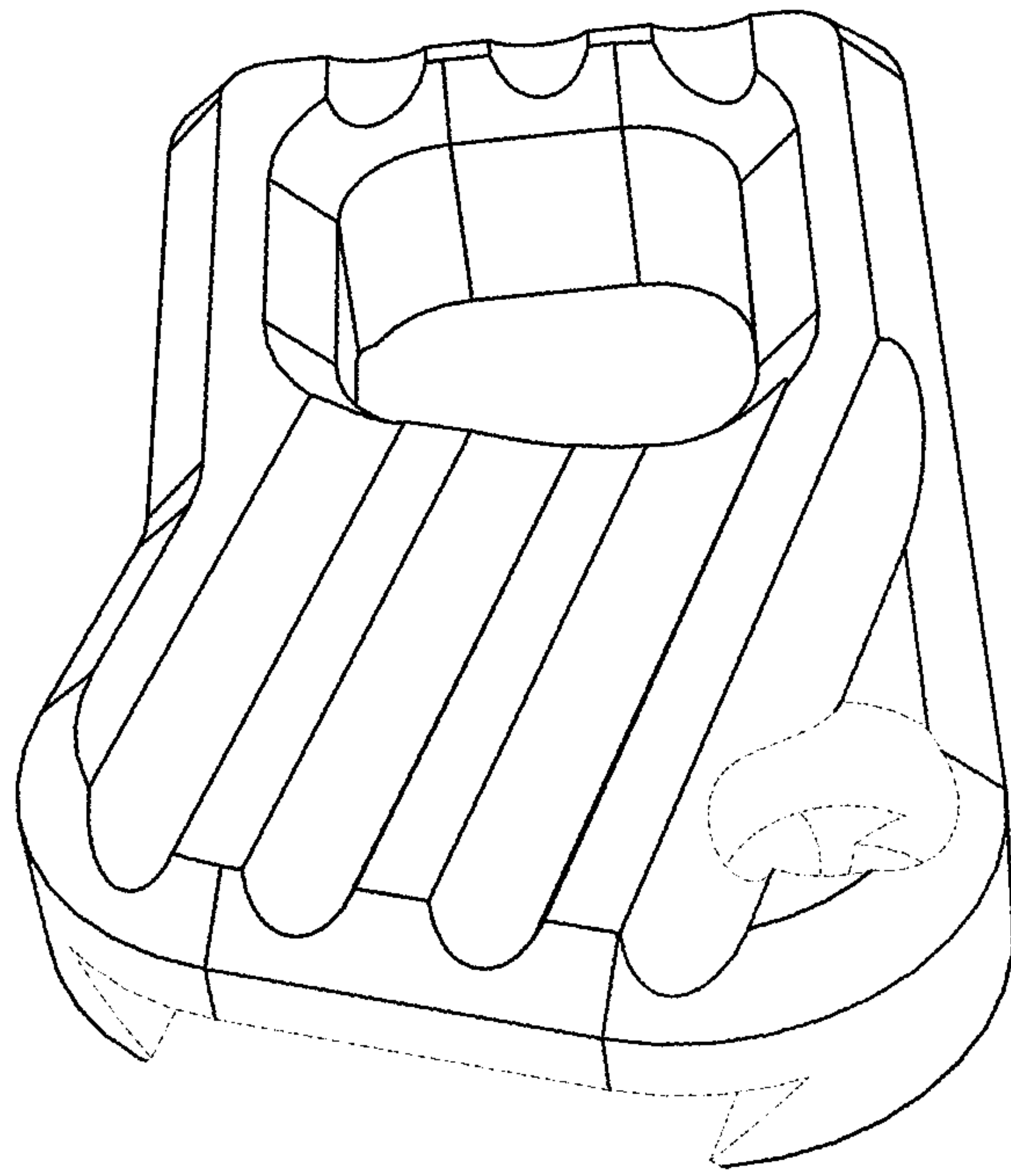


FIG. 6

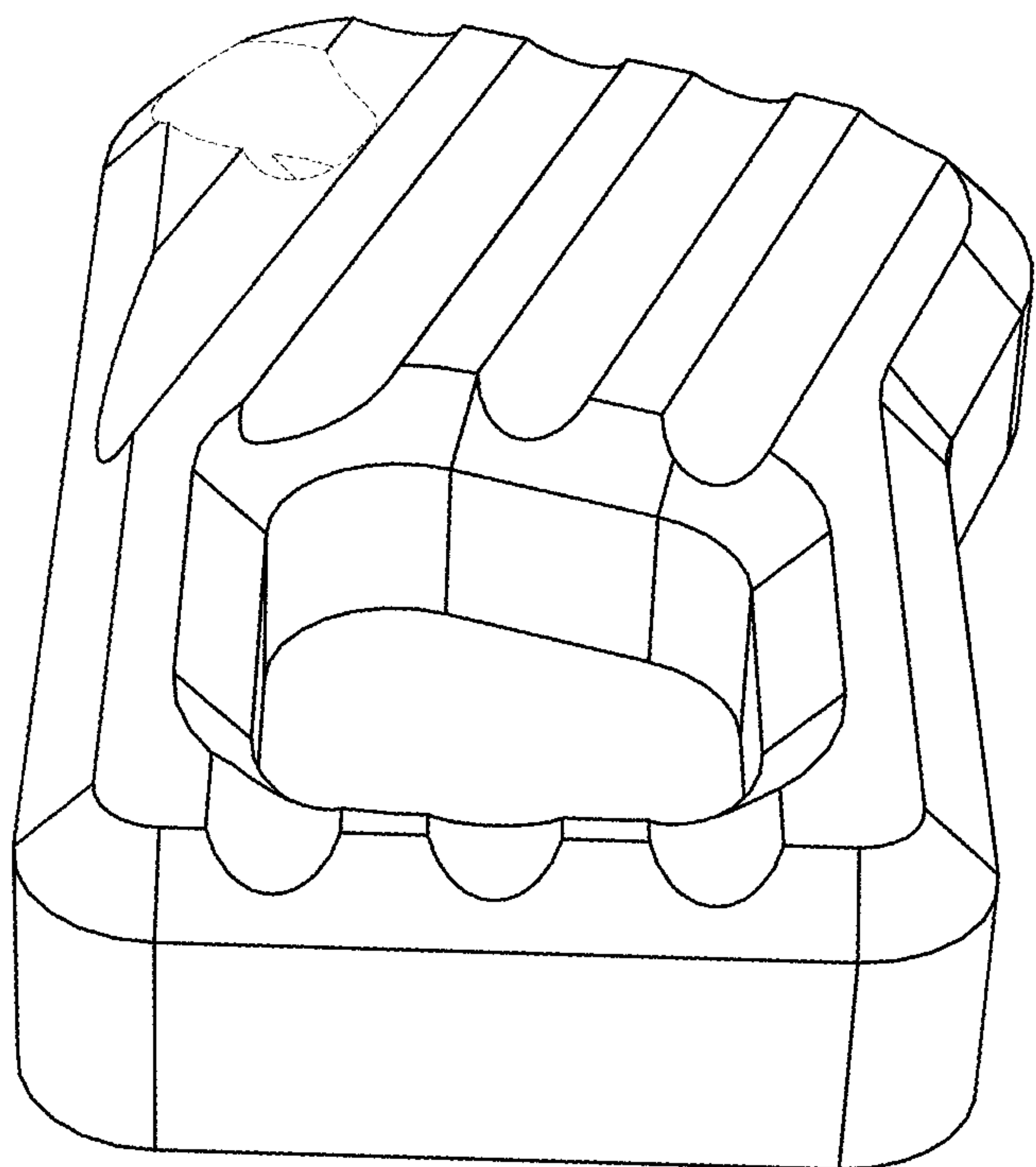


FIG. 7

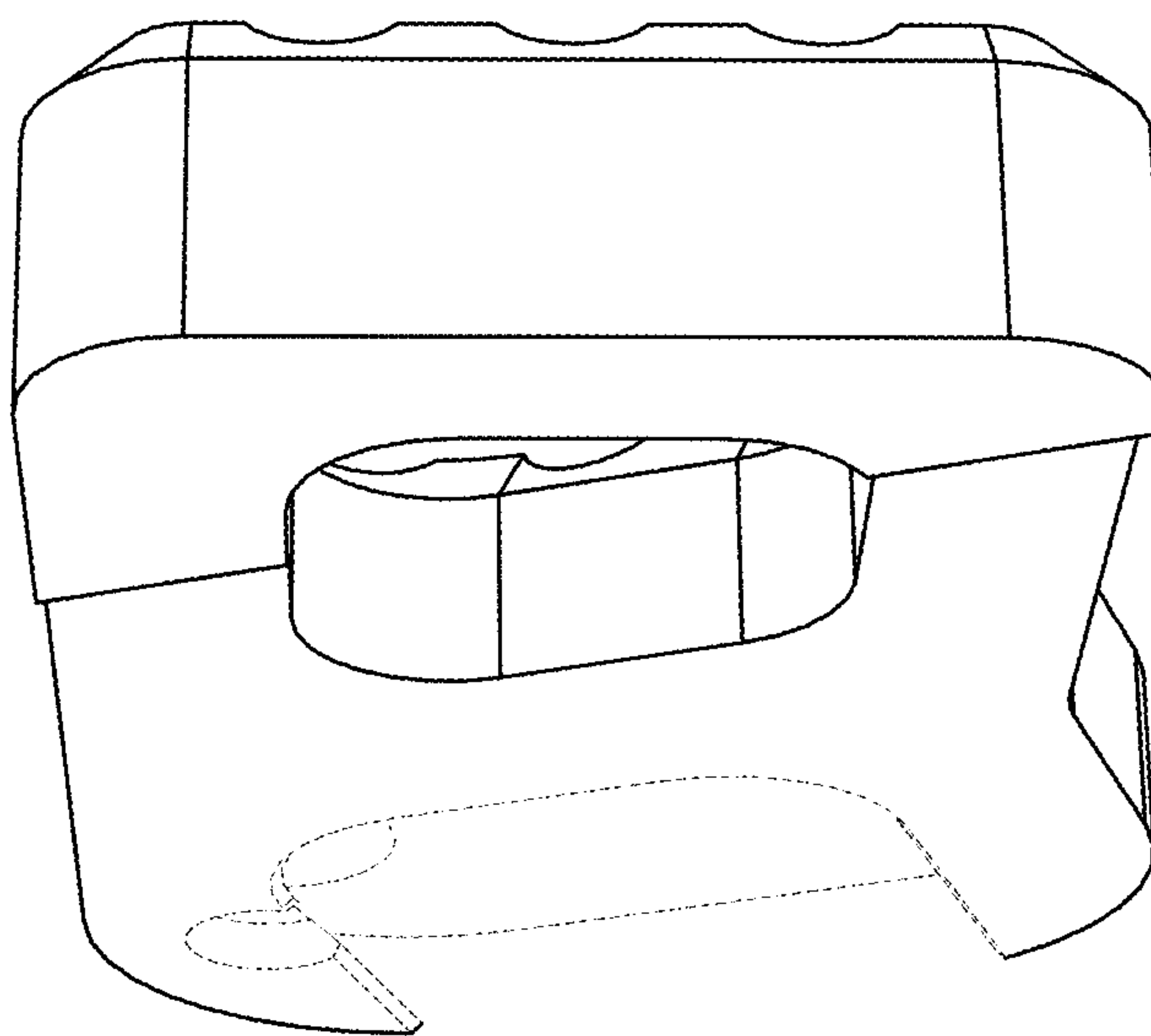


FIG. 8

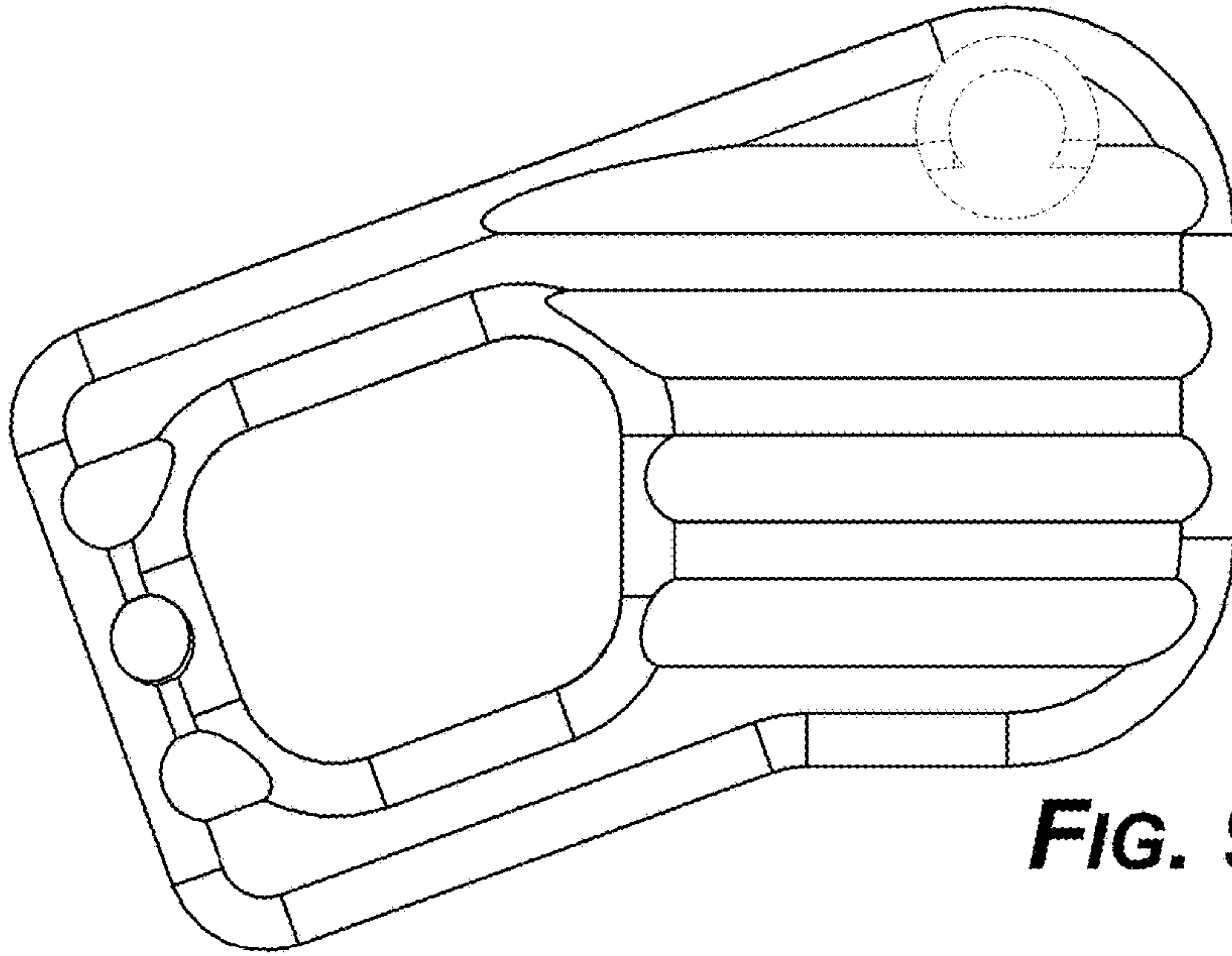


FIG. 9

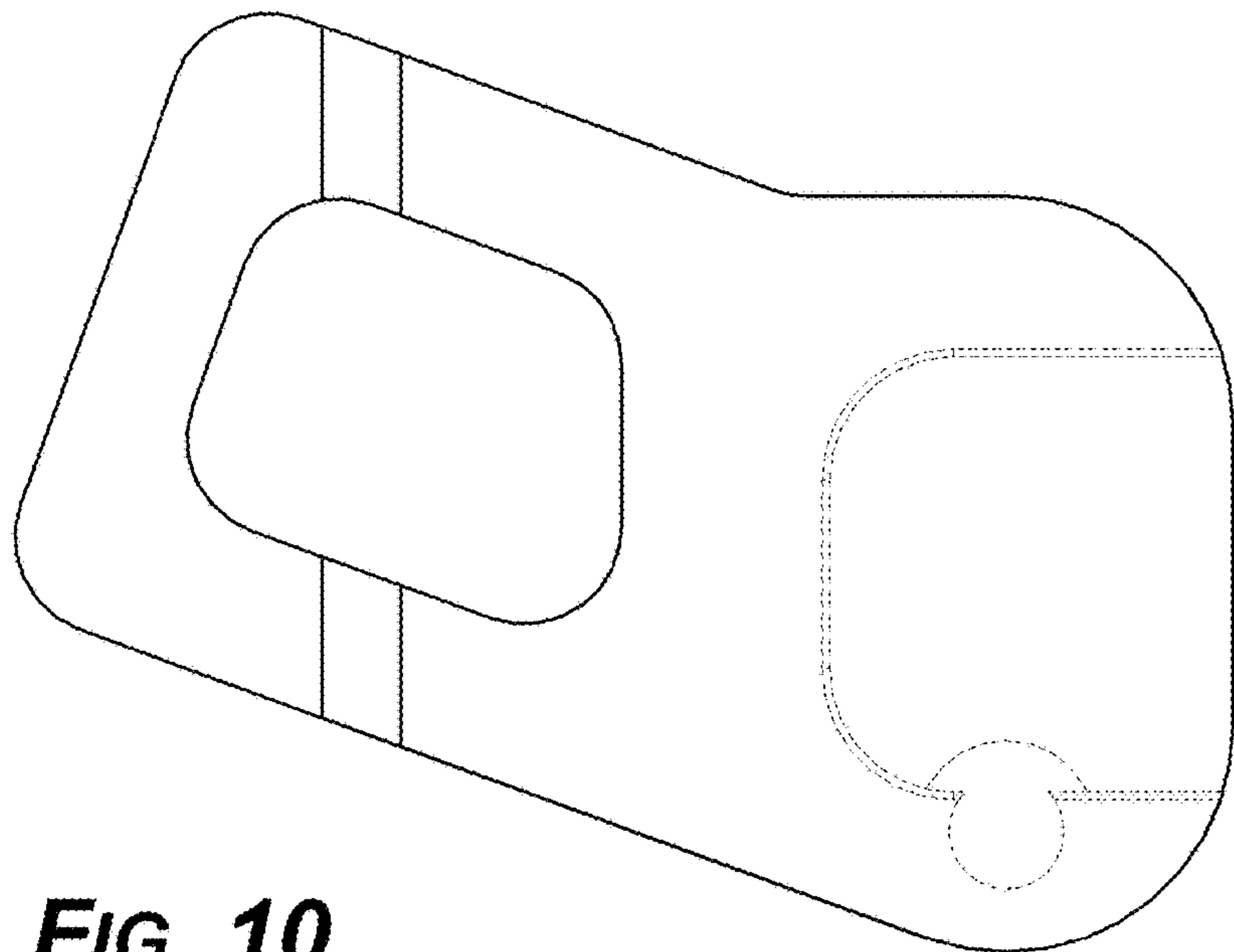


FIG. 10

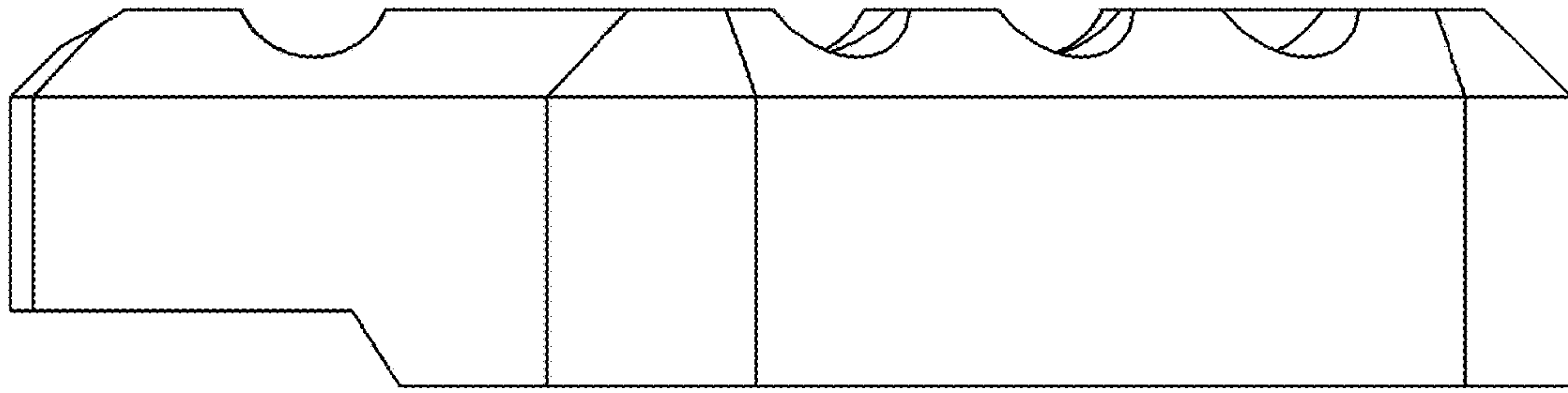


FIG. 11

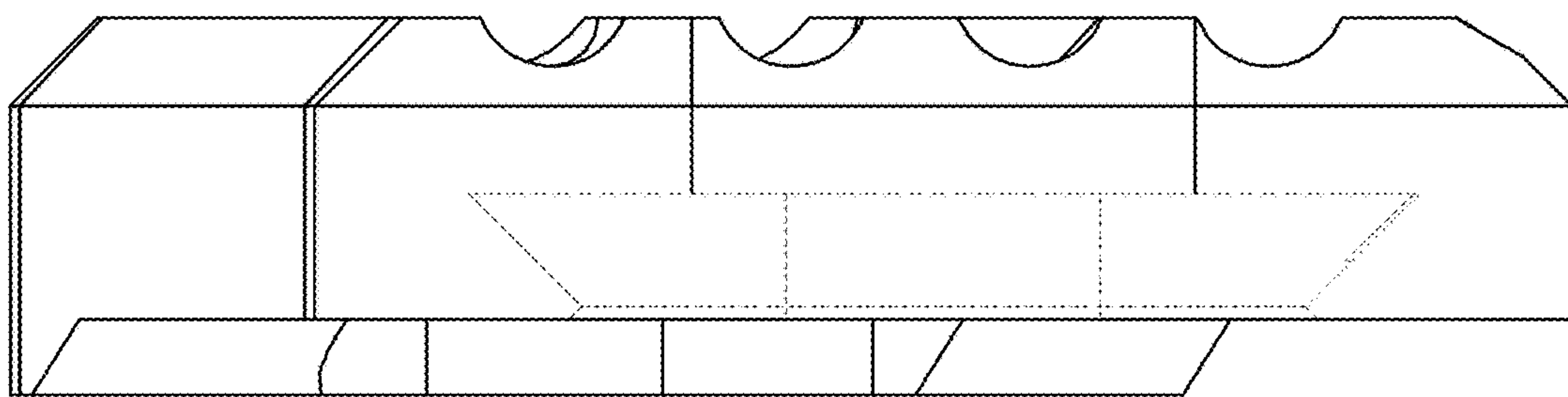


FIG. 12

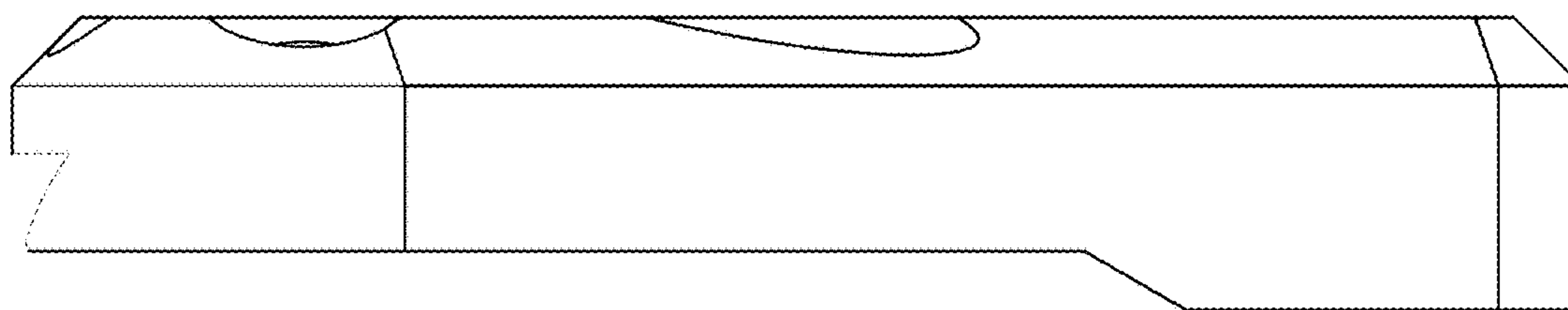


FIG. 13

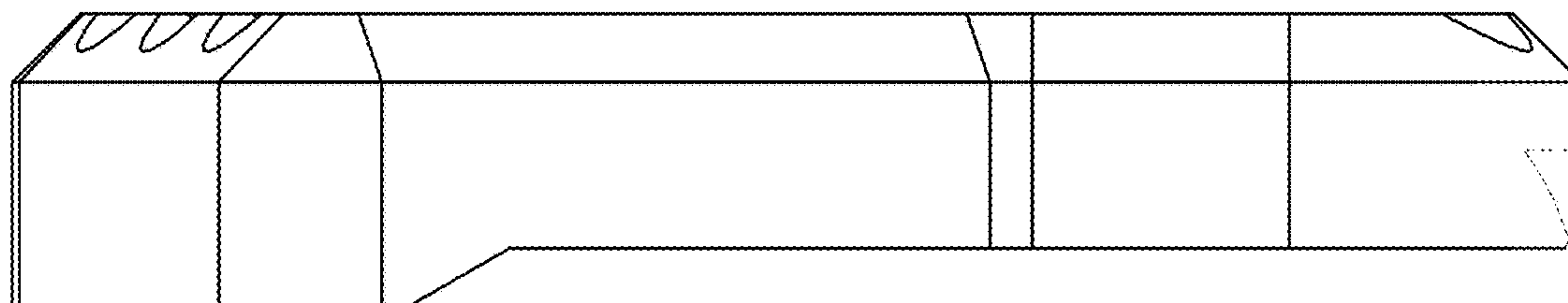


FIG. 14

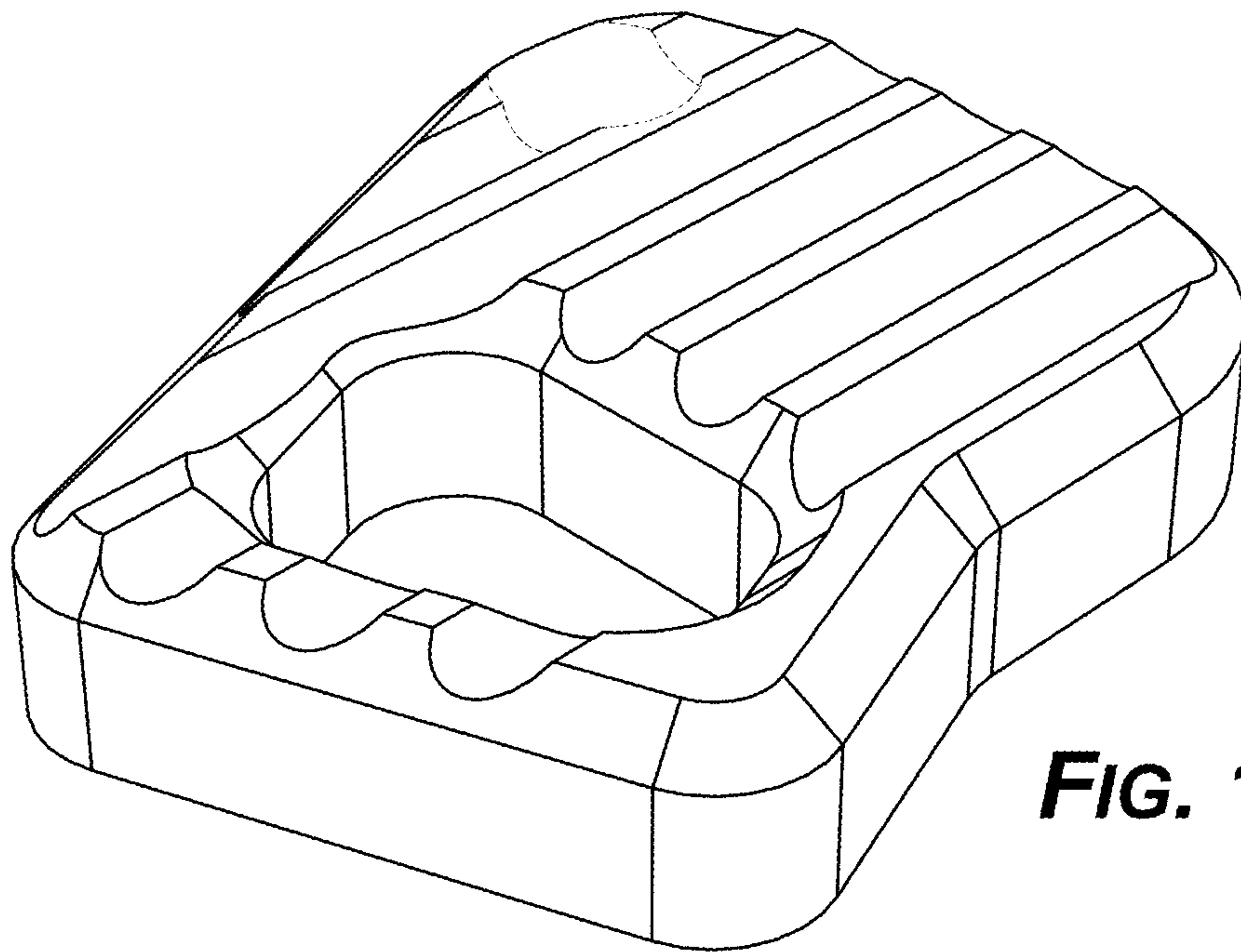


FIG. 15

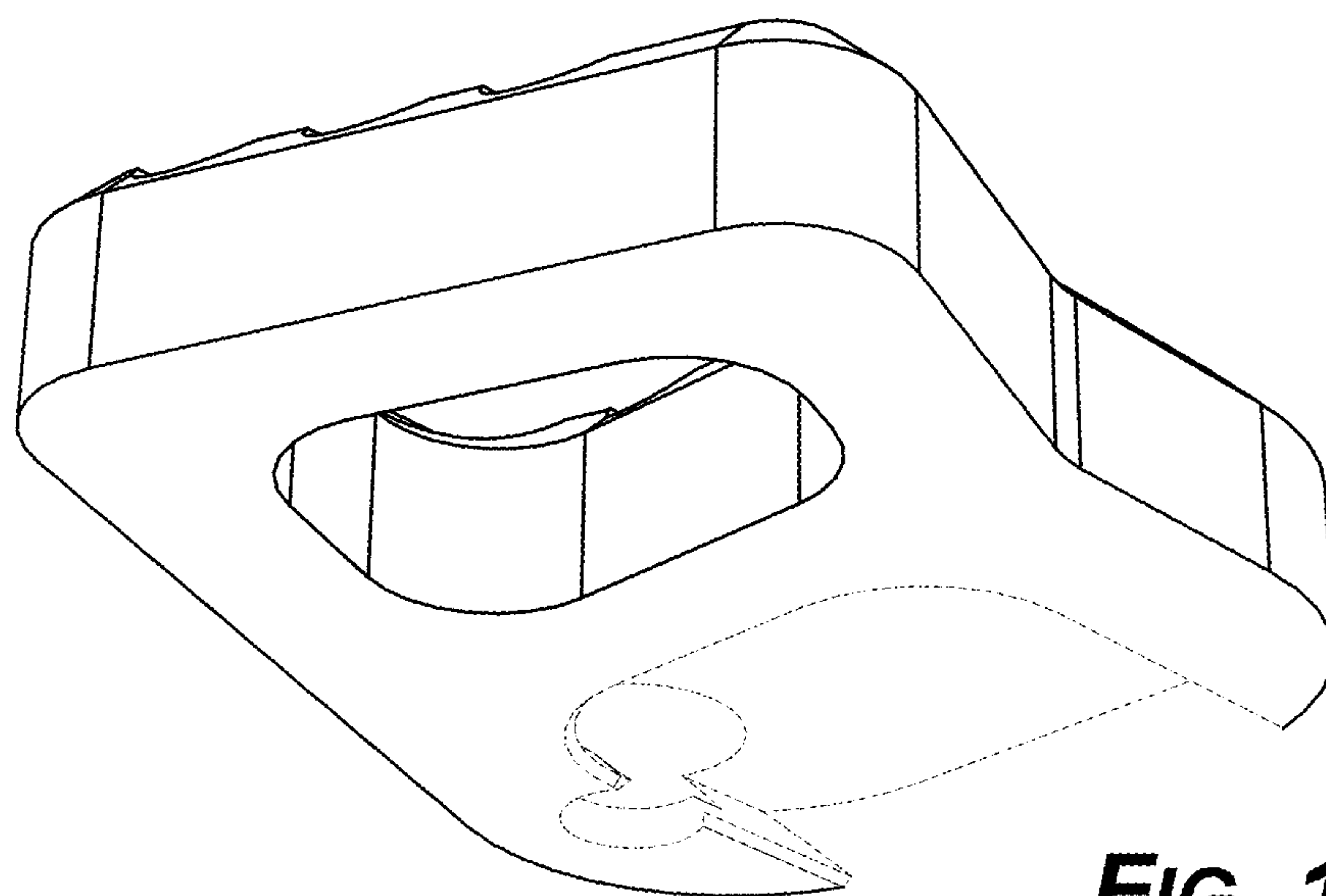


FIG. 16

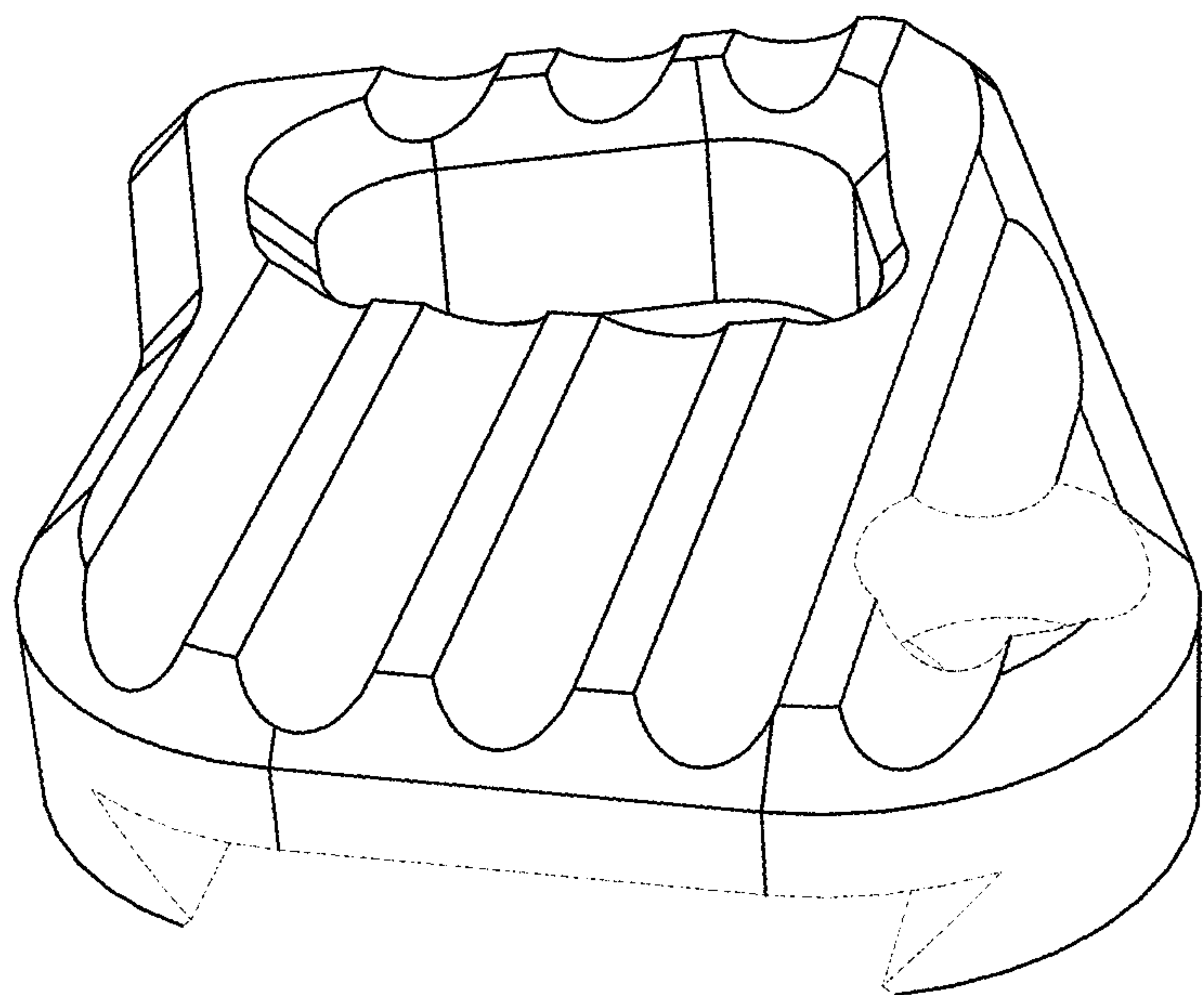


FIG. 17

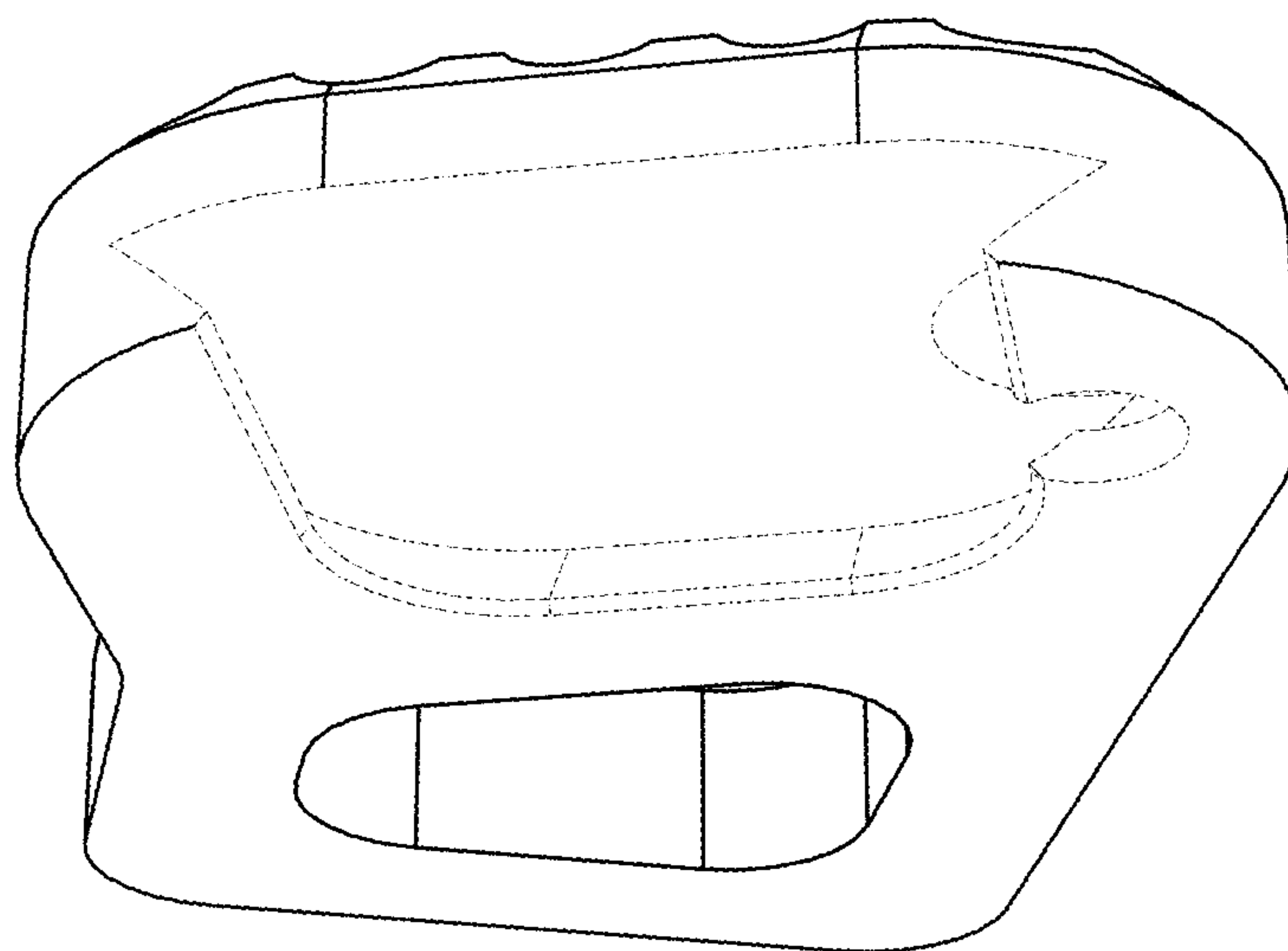


FIG. 18

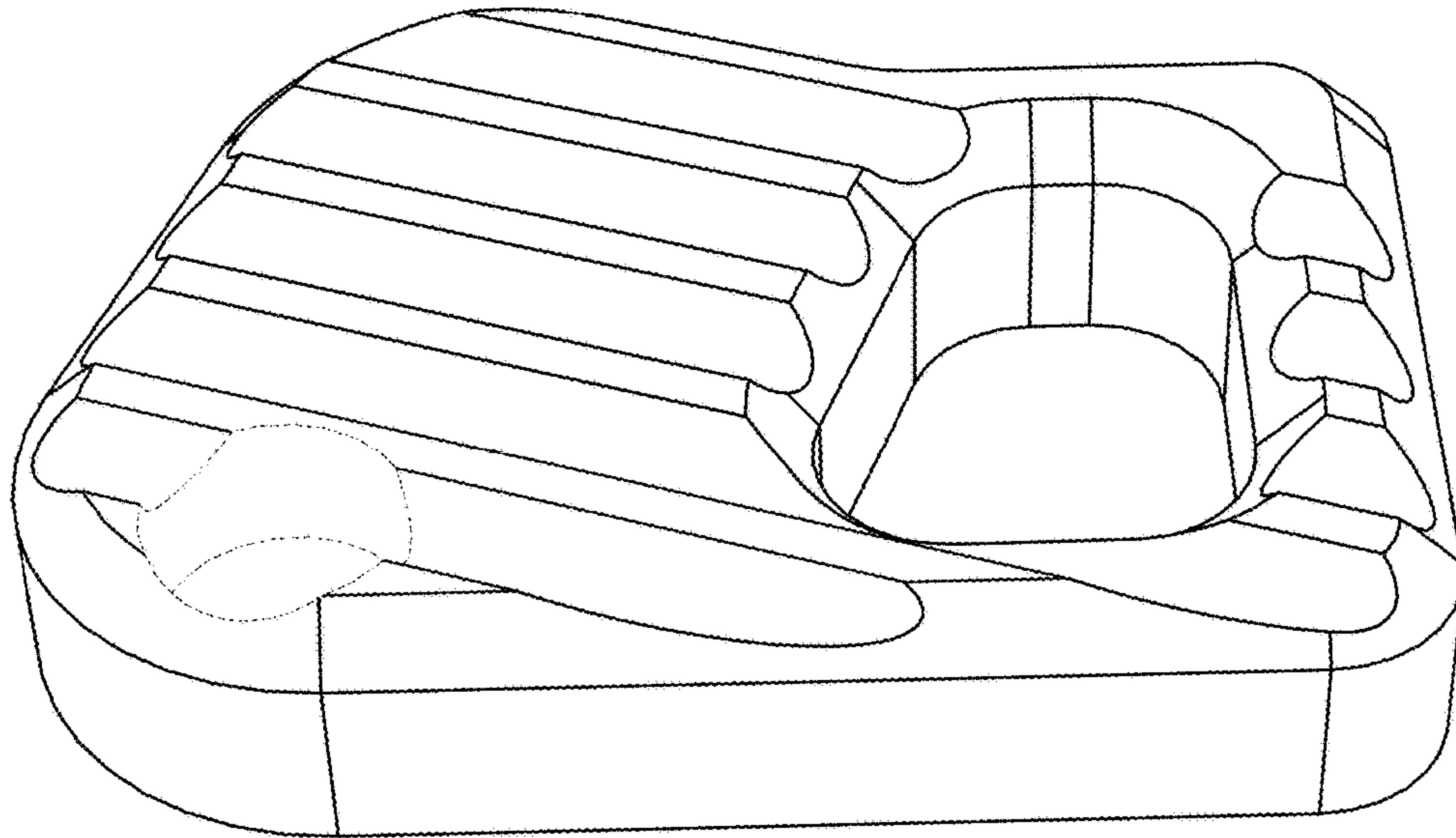


FIG. 19

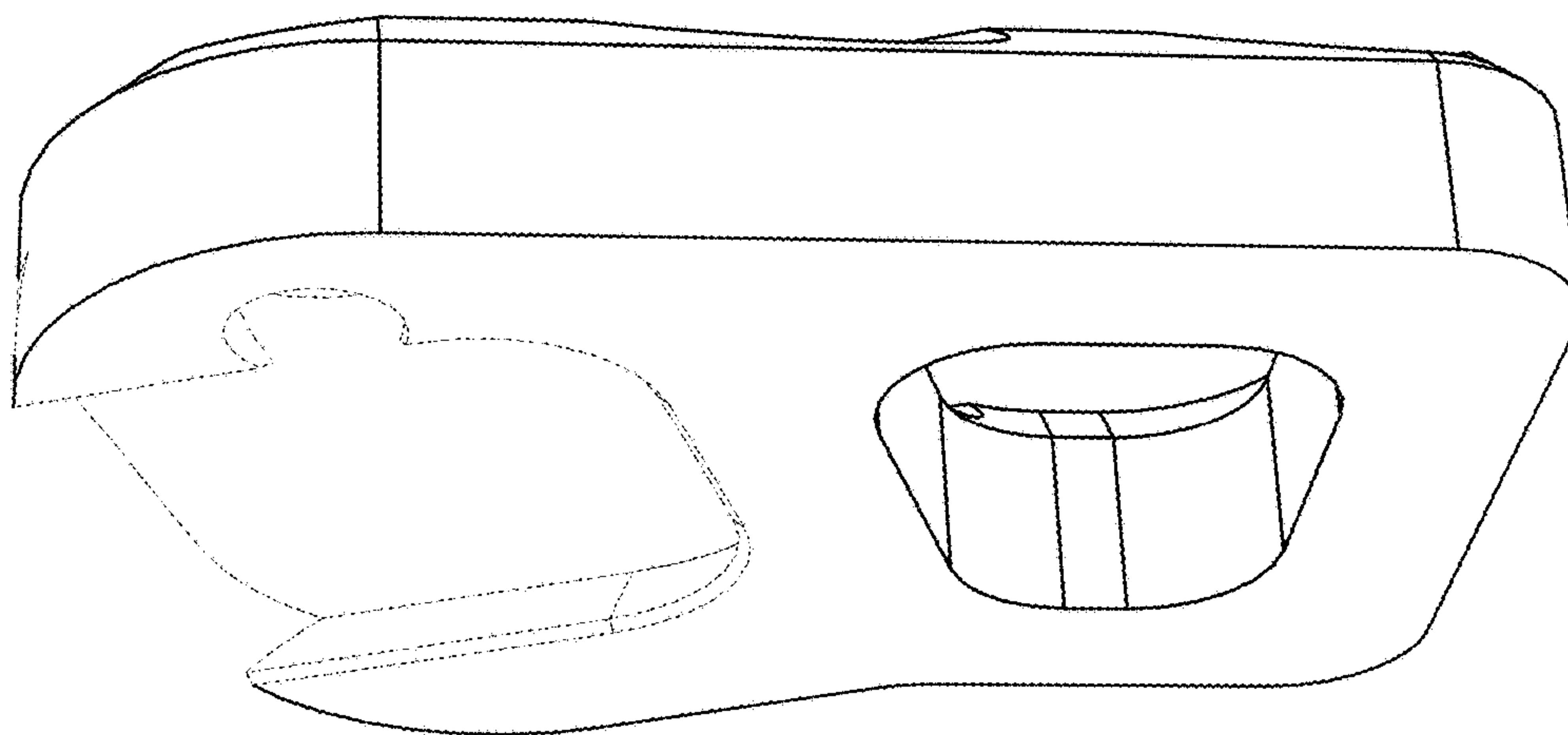


FIG. 20

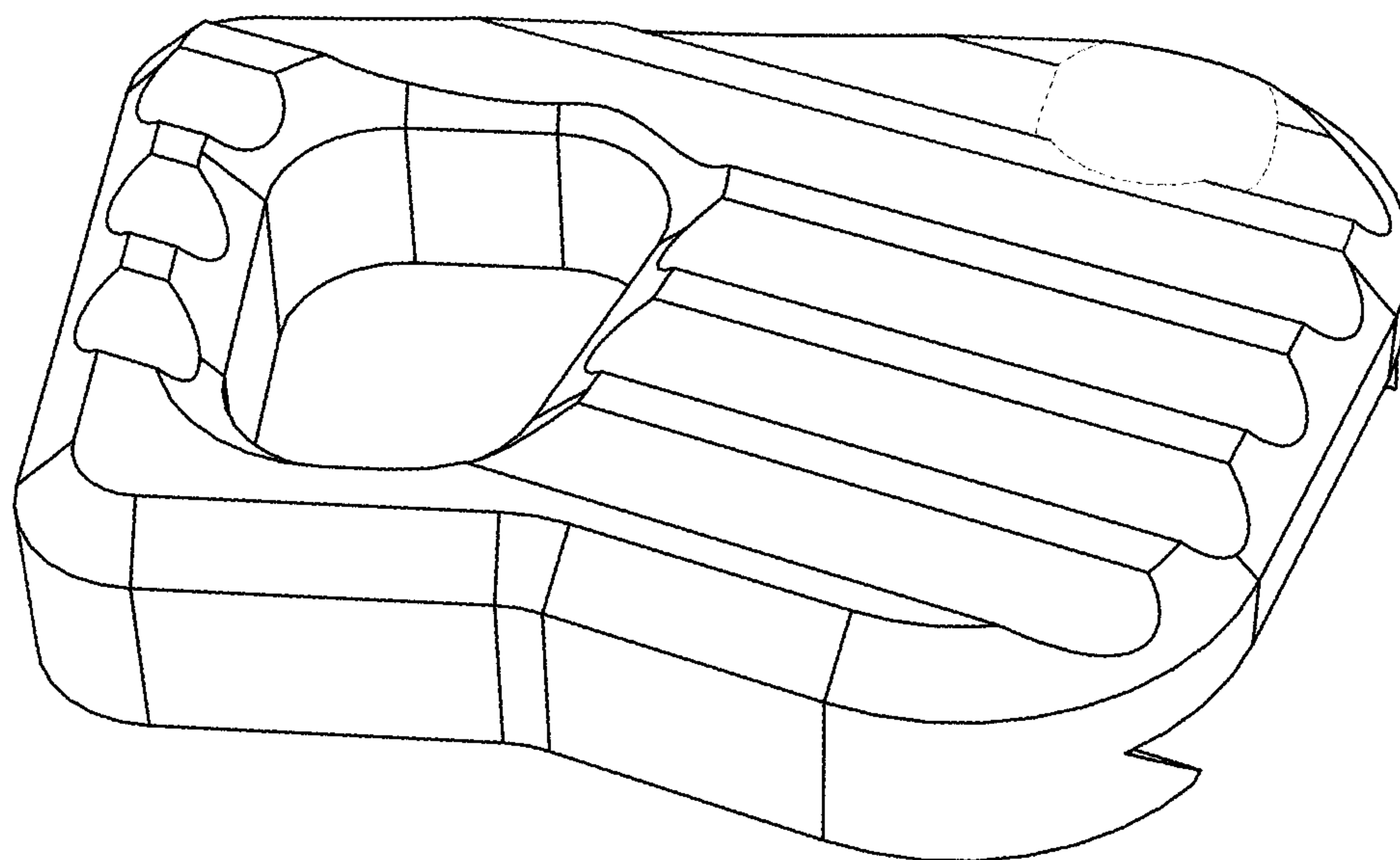


FIG. 21

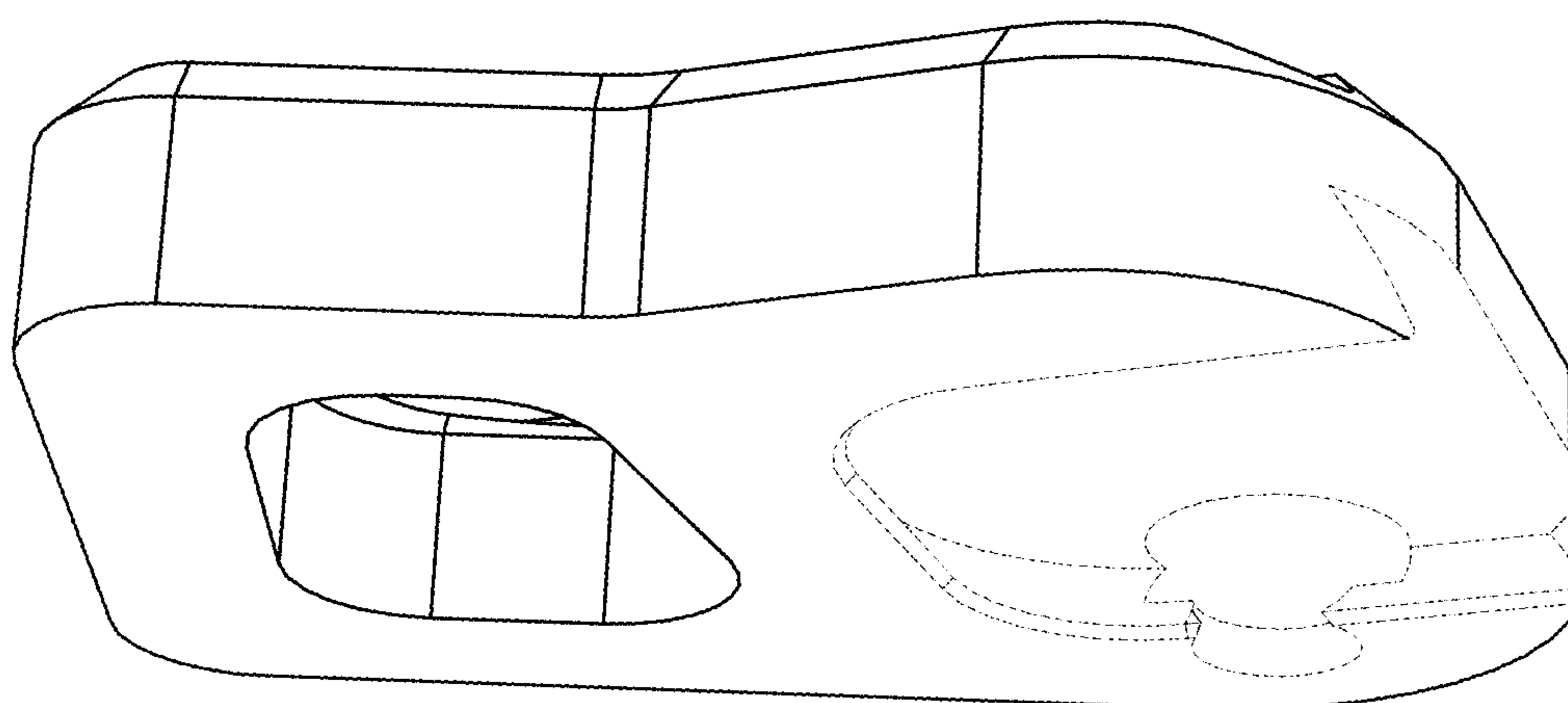


FIG. 22

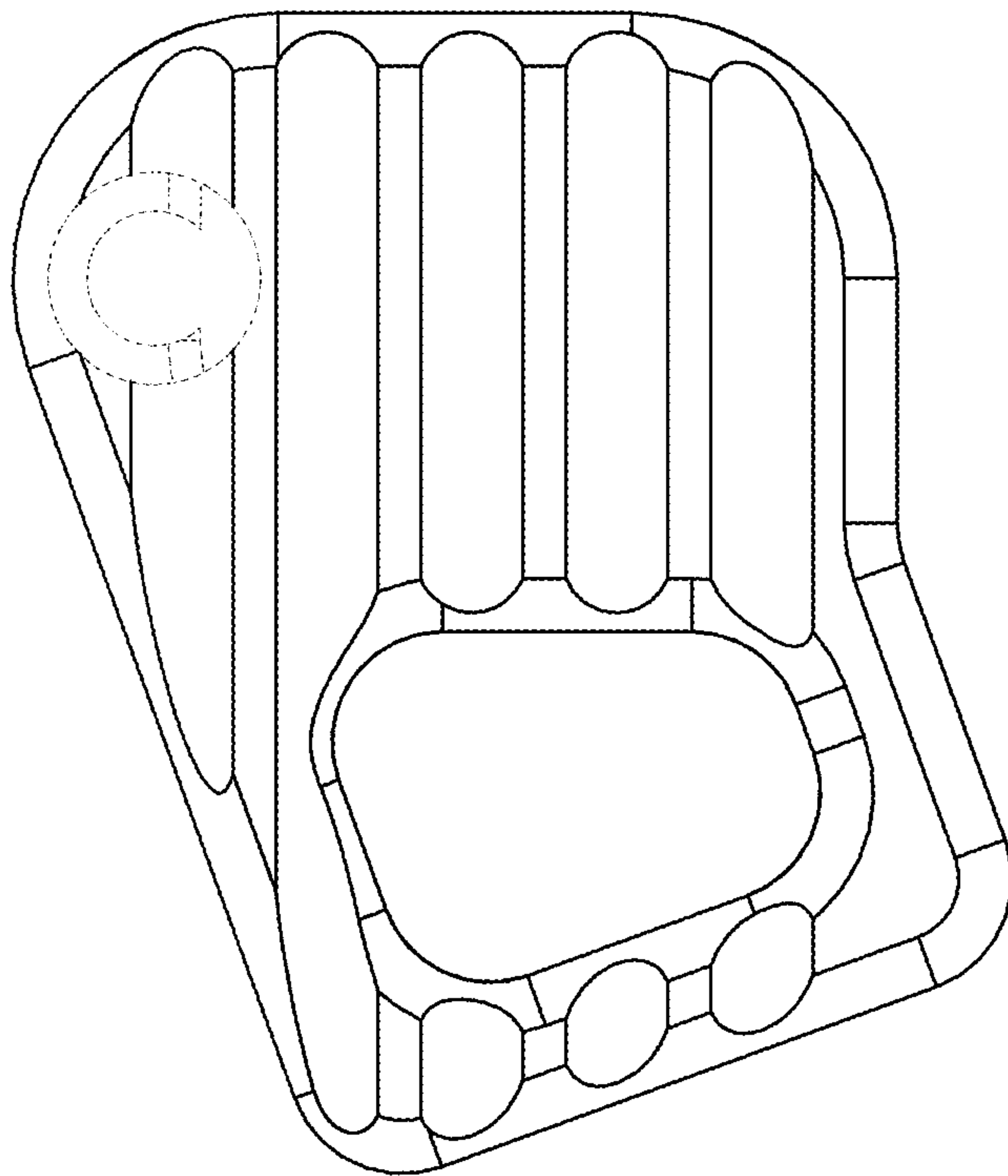


FIG. 23

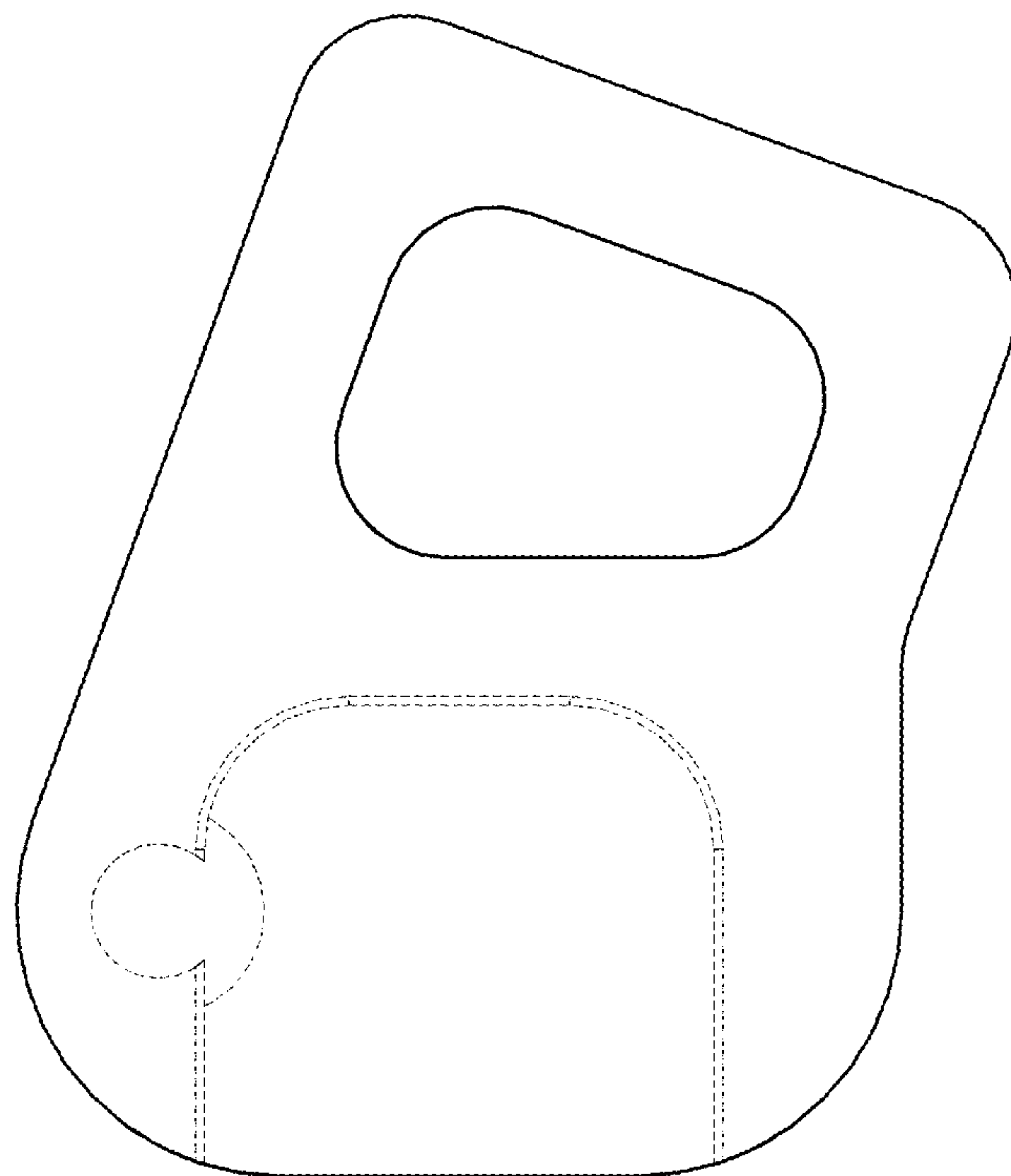


FIG. 24

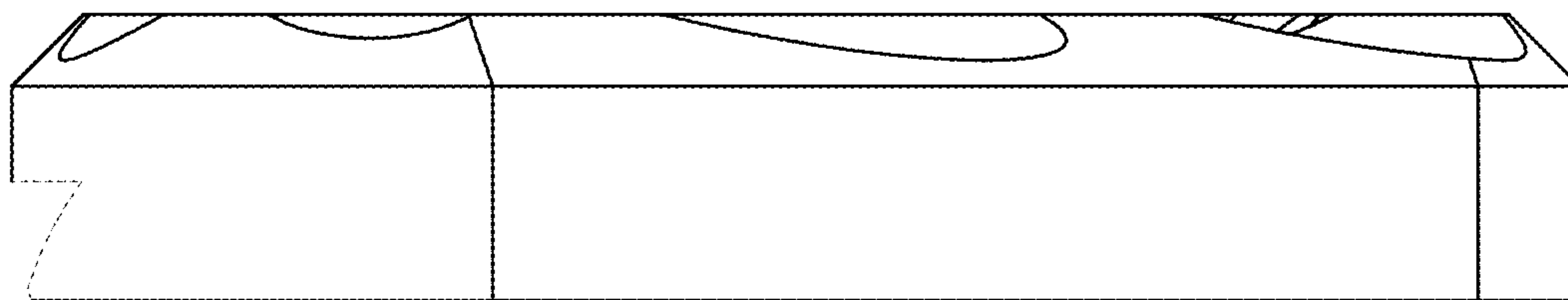


FIG. 25

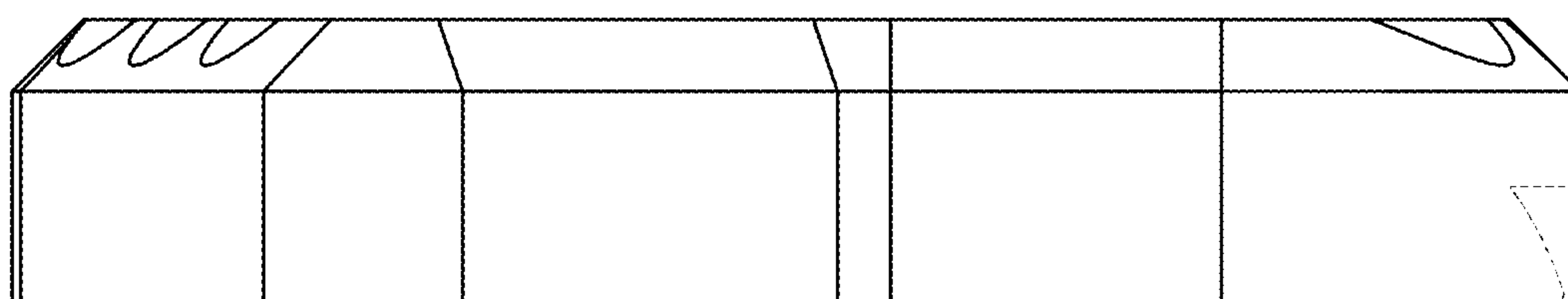


FIG. 26

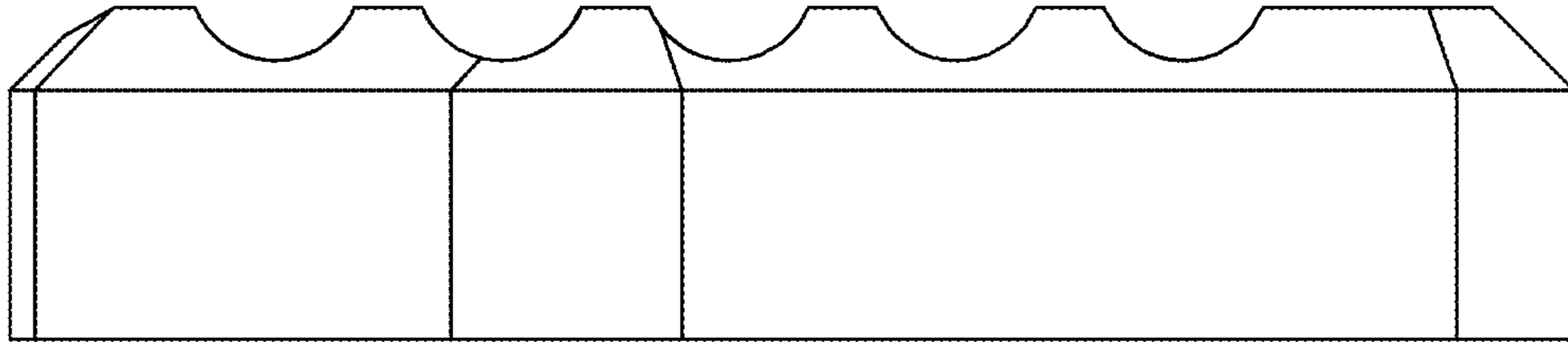


FIG. 27

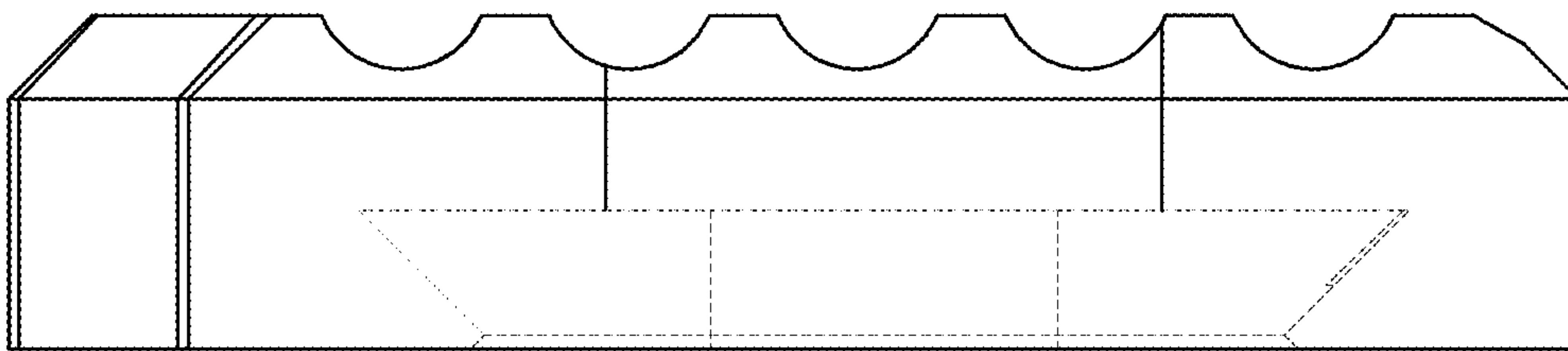


FIG. 28