



US00D779619S

(12) **United States Design Patent** (10) **Patent No.:** **US D779,619 S**
Findlay et al. (45) **Date of Patent:** **** Feb. 21, 2017**

(54) **RIFLE STOCK**

(71) Applicant: **Smith & Wesson Corp.**, Springfield, MA (US)

(72) Inventors: **David S. Findlay**, Athol, MA (US);
Frank Gillette, Liverpool, NY (US)

(73) Assignee: **Smith & Wesson Corp.**, Springfield, MA (US)

(**) Term: **15 Years**

(21) Appl. No.: **29/536,058**

(22) Filed: **Aug. 13, 2015**

(51) **LOC (10) Cl.** **22-01**

(52) **U.S. Cl.**
USPC **D22/108; D22/103**

(58) **Field of Classification Search**
USPC **D22/103, 108; D21/572, 573; 42/70.01**
(Continued)

(56) **References Cited**

U.S. PATENT DOCUMENTS

D295,545 S * 5/1988 Bell D22/103
D304,223 S * 10/1989 Ruger D22/103
(Continued)

Primary Examiner — Susan Bennett Hattan

Assistant Examiner — S. Bryan Reinholdt, Jr.

(74) *Attorney, Agent, or Firm* — John A. Chionchio,
Esquire; Ballard Spahr LLP

(57) **CLAIM**

We claim the ornamental design for a rifle stock, as shown and described.

DESCRIPTION

FIG. 1 is a left side view of our design for a rifle stock;

FIG. 2 is a magnified view of a portion of the design for the rifle stock shown in FIG. 1;

FIG. 3 is a magnified view of a portion of the design for the rifle stock shown in FIG. 1;

FIG. 4 is a right side view of the design for the rifle stock shown in FIG. 1;

FIG. 5 is a magnified view of a portion of the design for the rifle stock shown in FIG. 4;

FIG. 6 is a magnified view of a portion of the design for the rifle stock shown in FIG. 4;

FIG. 7 is a top view of the design for the rifle stock shown in FIG. 1;

FIG. 8 is a bottom view of the design for the rifle stock shown in FIG. 1;

FIG. 9 is a back view of the design for the rifle stock shown in FIG. 1;

FIG. 10 is a front view of the design for the rifle stock shown in FIG. 1;

FIG. 11 is a left side view of an embodiment of our design for a rifle stock having gripping projections;

FIG. 12 is a magnified view of a portion of the design for the rifle stock shown in FIG. 11;

FIG. 13 is a magnified view of a portion of the design for the rifle stock shown in FIG. 11;

FIG. 14 is a right side view of the design for the rifle stock shown in FIG. 11;

FIG. 15 is a magnified view of a portion of the design for the rifle stock shown in FIG. 14;

FIG. 16 is a magnified view of a portion of the design for the rifle stock shown in FIG. 14;

FIG. 17 is a top view of the design for the rifle stock shown in FIG. 11;

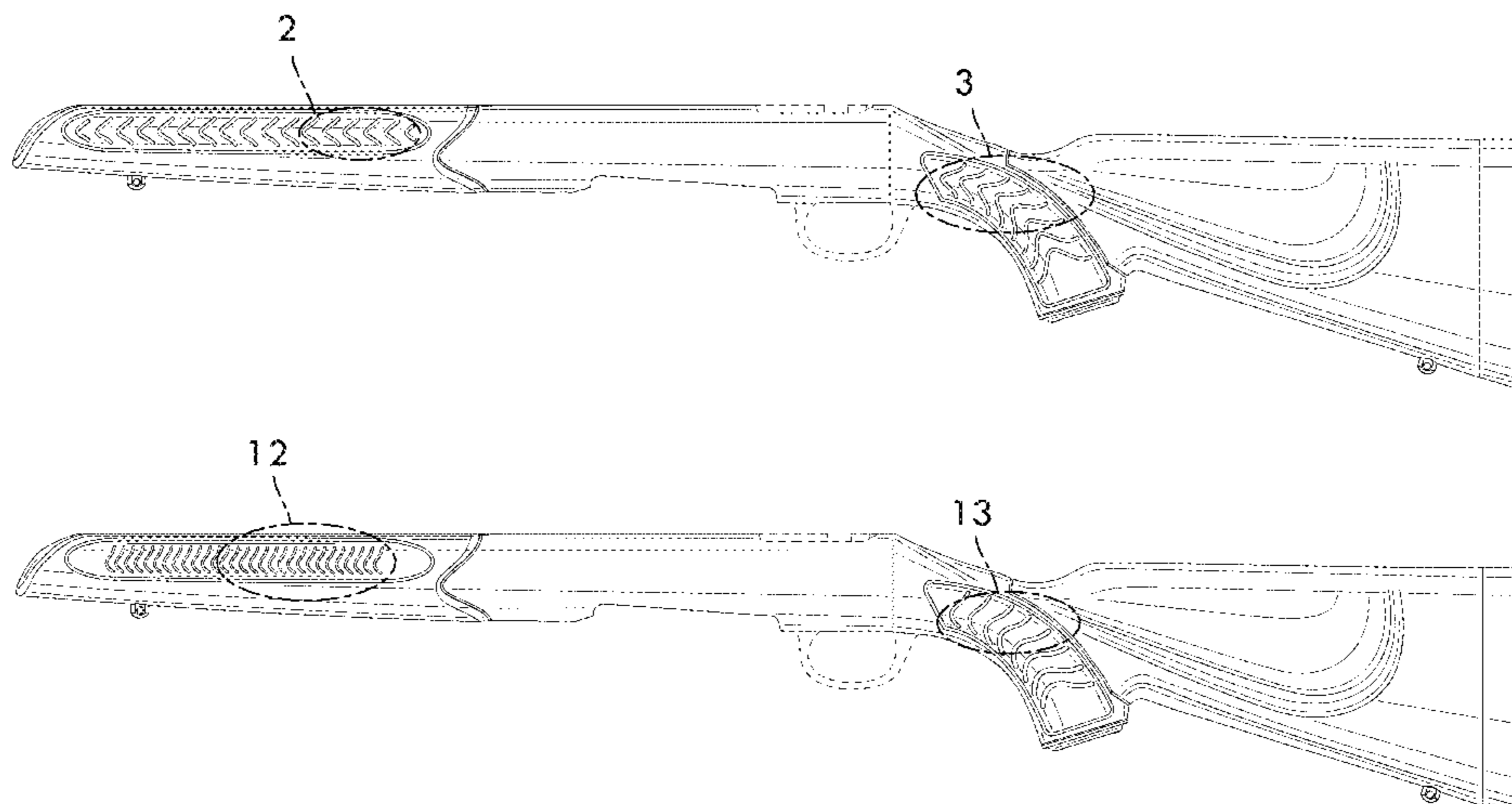
FIG. 18 is a bottom view of the design for the rifle stock shown in FIG. 11;

FIG. 19 is a back view of the design for the rifle stock shown in FIG. 11; and,

FIG. 20 is a front view of the design for the rifle stock shown in FIG. 11.

The broken lines depict portions of the rifle stock that form no part of the claimed design. The dash-dot-dash lines represent a boundary of the magnified view and form no part of the claimed design.

1 Claim, 14 Drawing Sheets



(58) **Field of Classification Search**

CPC F41C 23/04; F41C 23/06; F41C 23/14;
F41C 23/22; F41C 33/007

See application file for complete search history.

(56) **References Cited**

U.S. PATENT DOCUMENTS

D476,392 S *	6/2003	McGarry	D22/108
D712,498 S *	9/2014	Du Plooy	D22/108
D748,217 S *	1/2016	Kera	D22/108

* cited by examiner

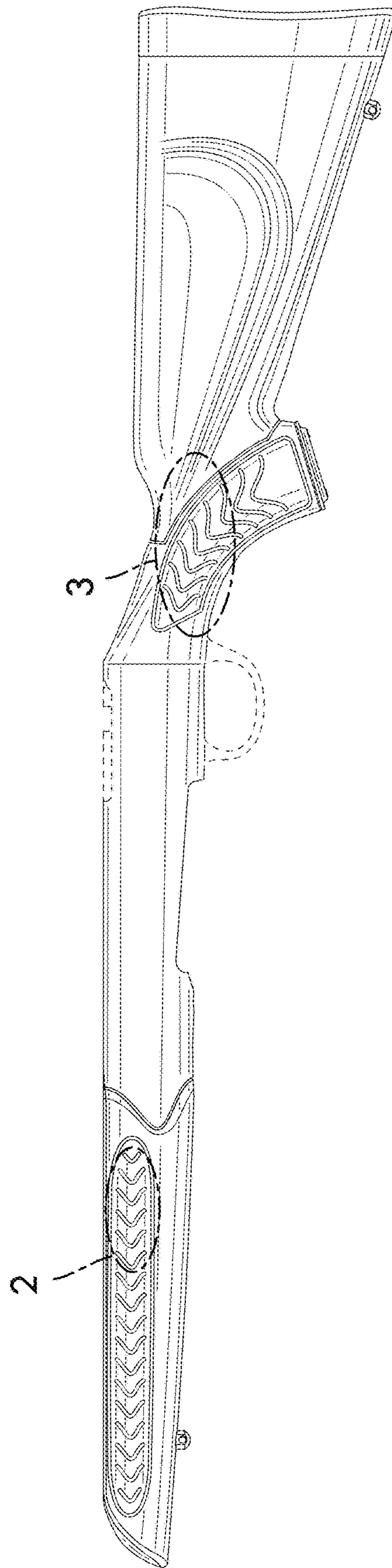


FIG. 1

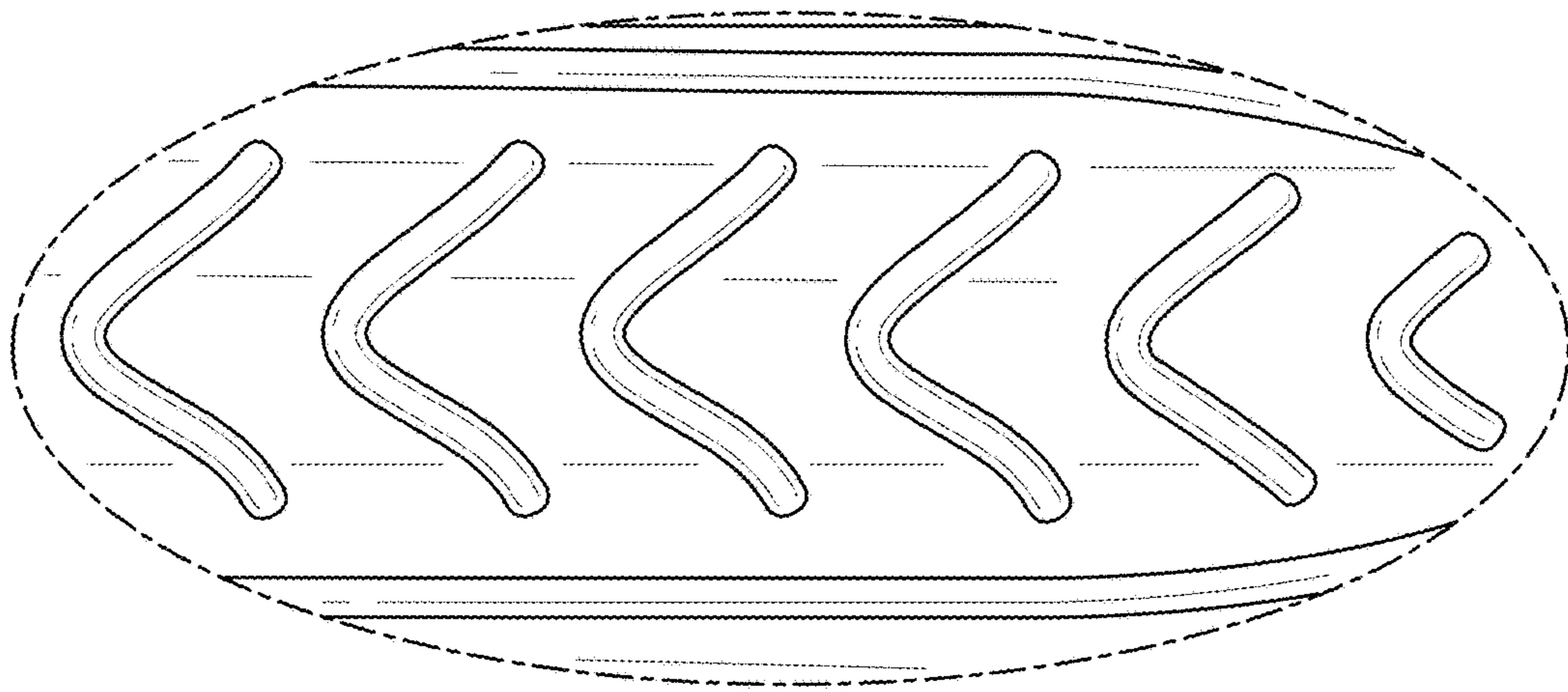


FIG. 2

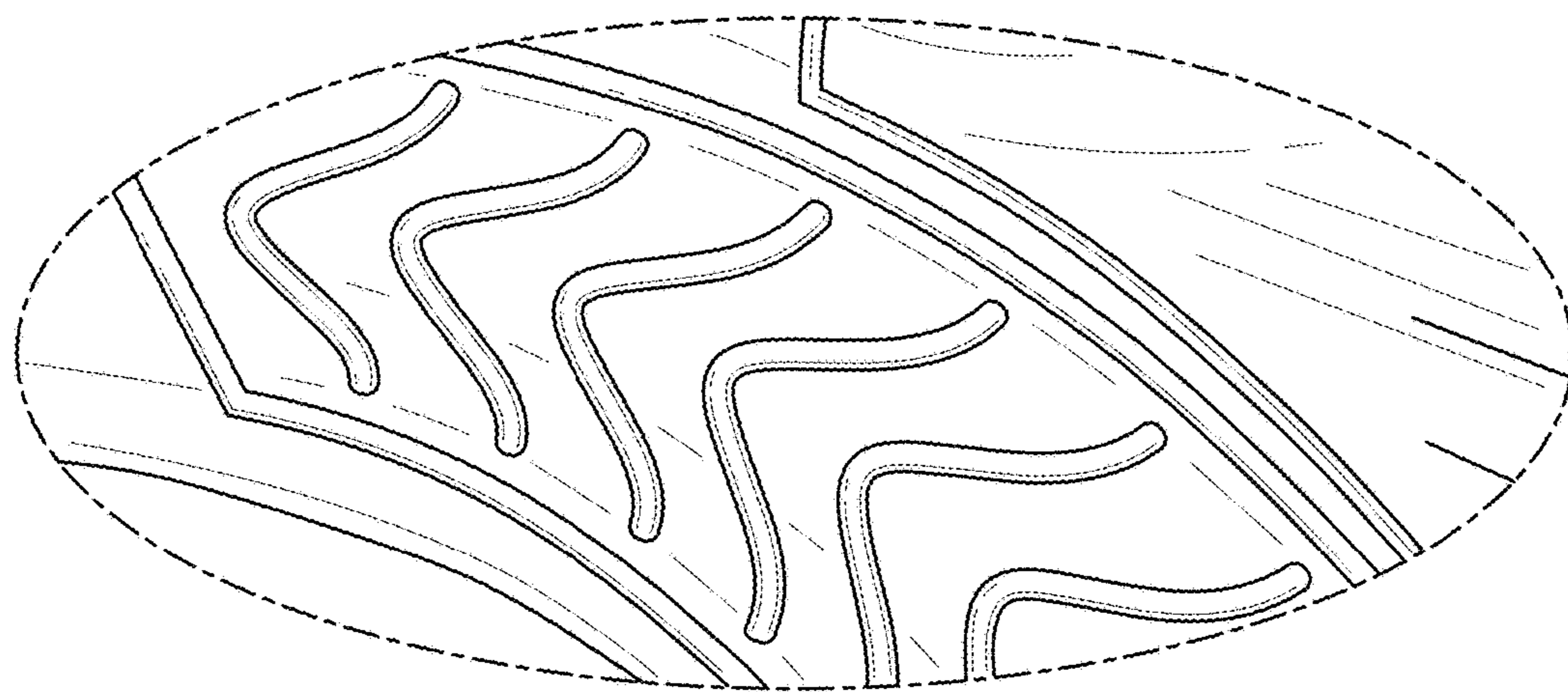


FIG. 3

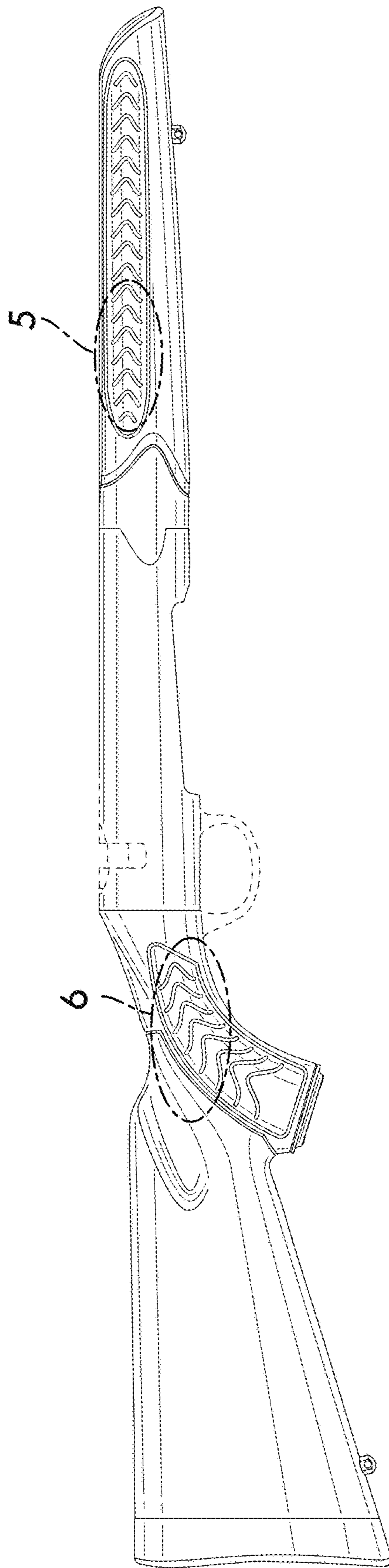


FIG. 4

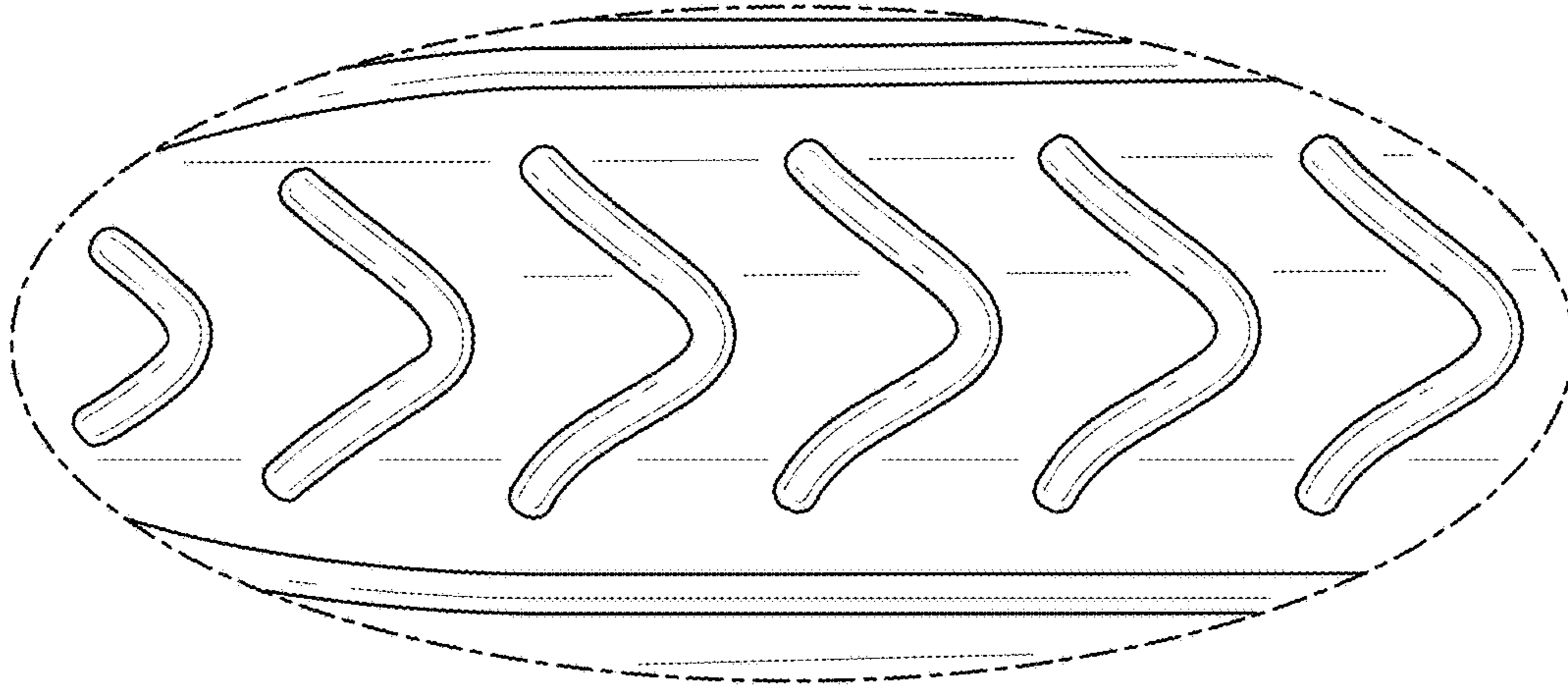


FIG. 5

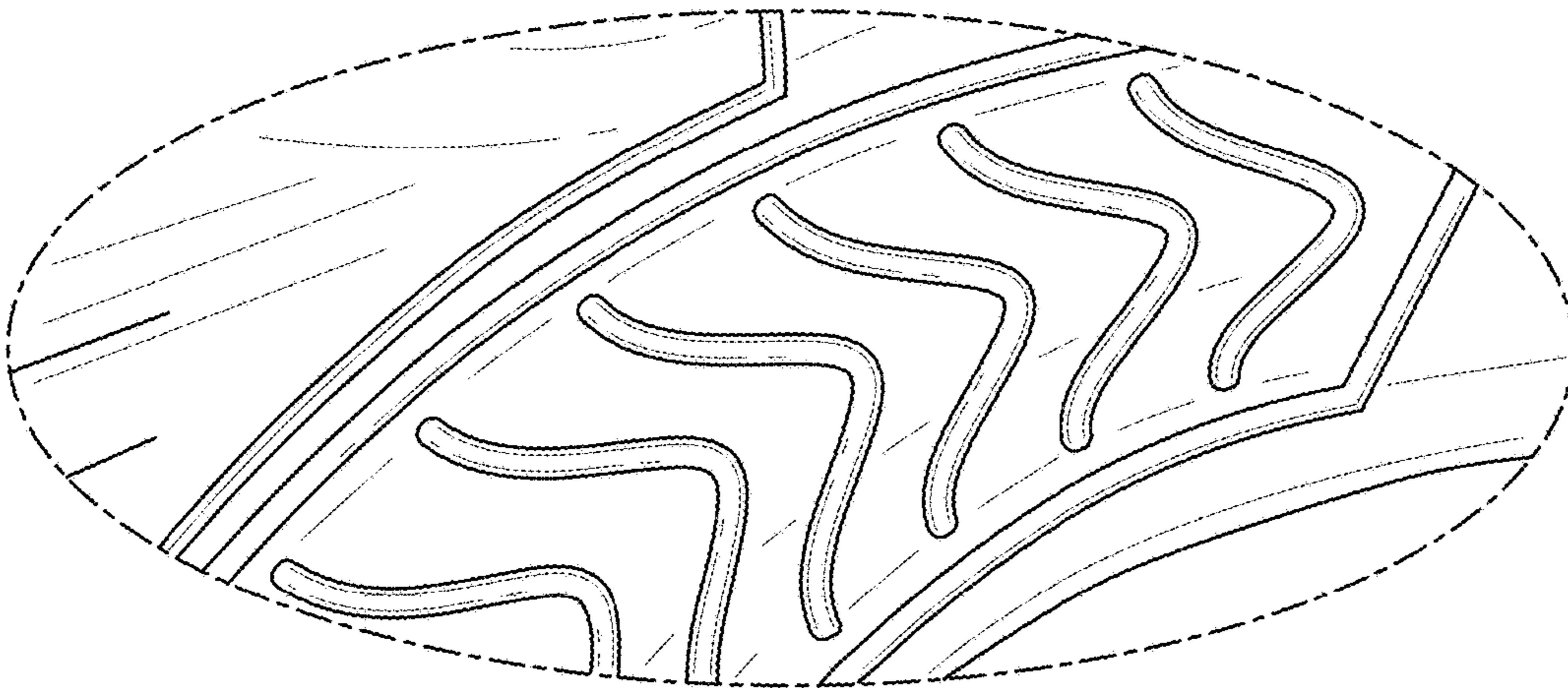


FIG. 6

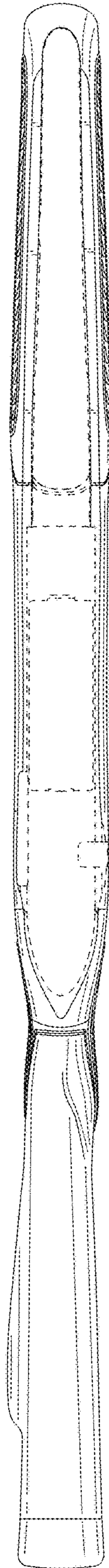


FIG. 7

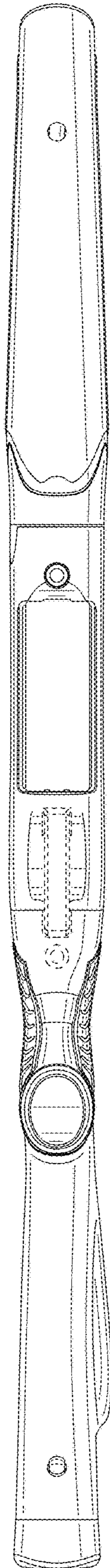


FIG. 8

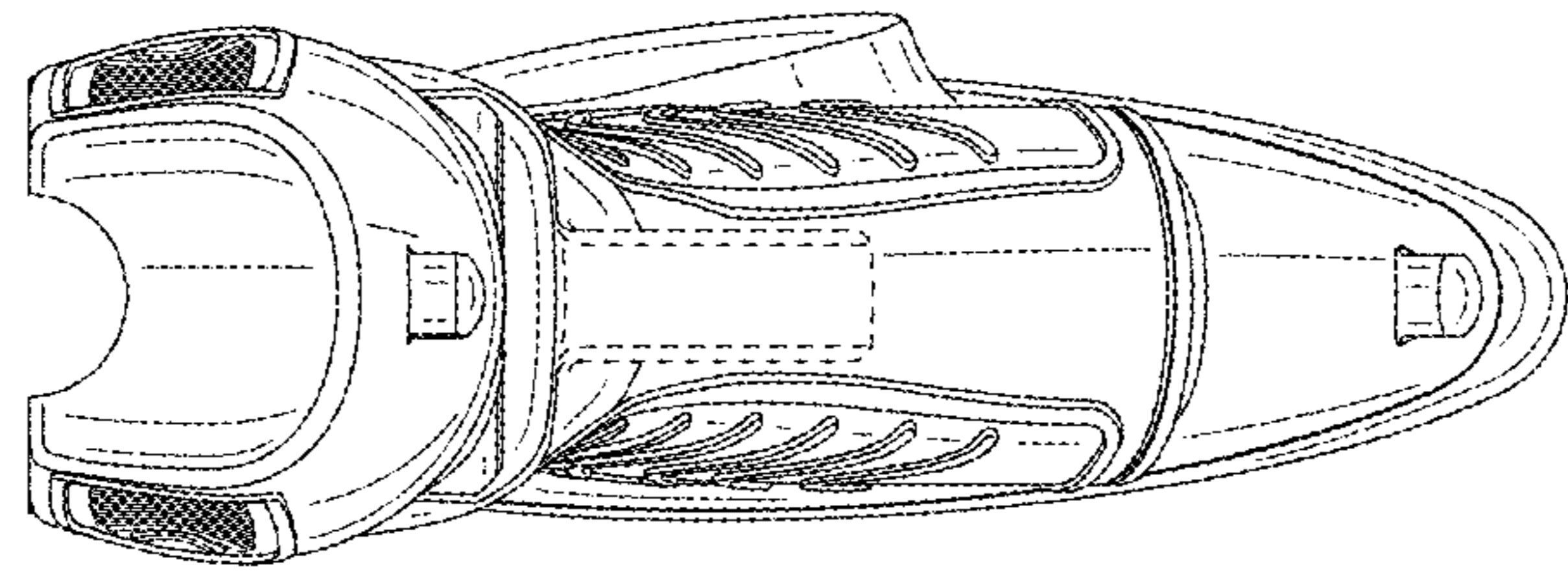


FIG. 10

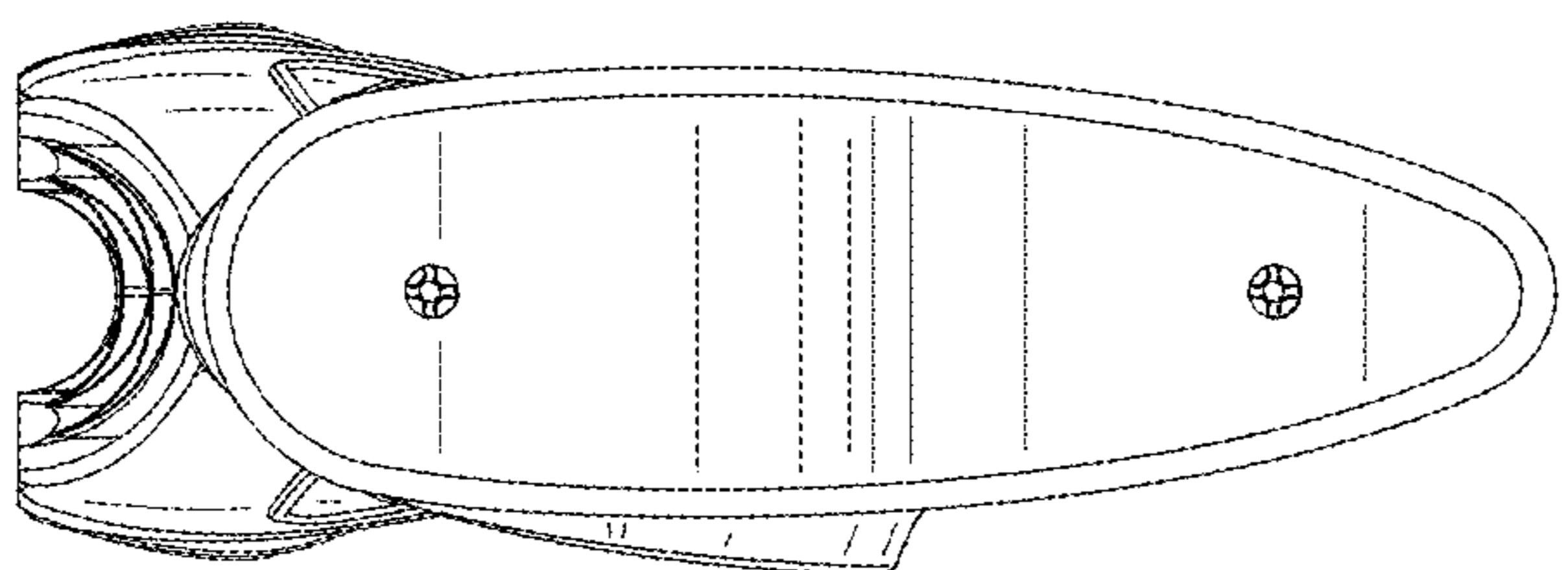


FIG. 9

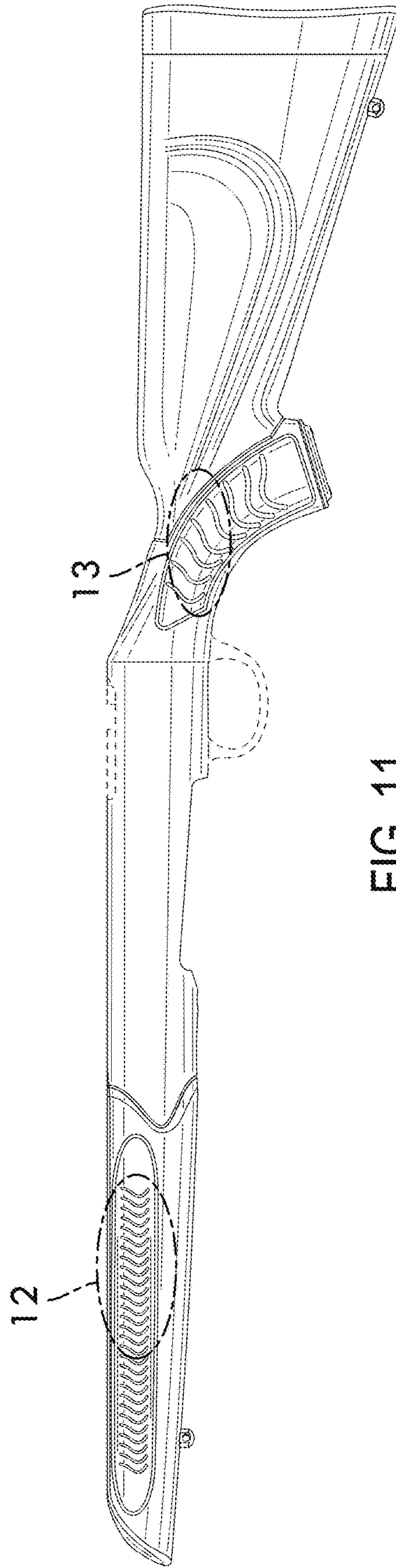


FIG. 11

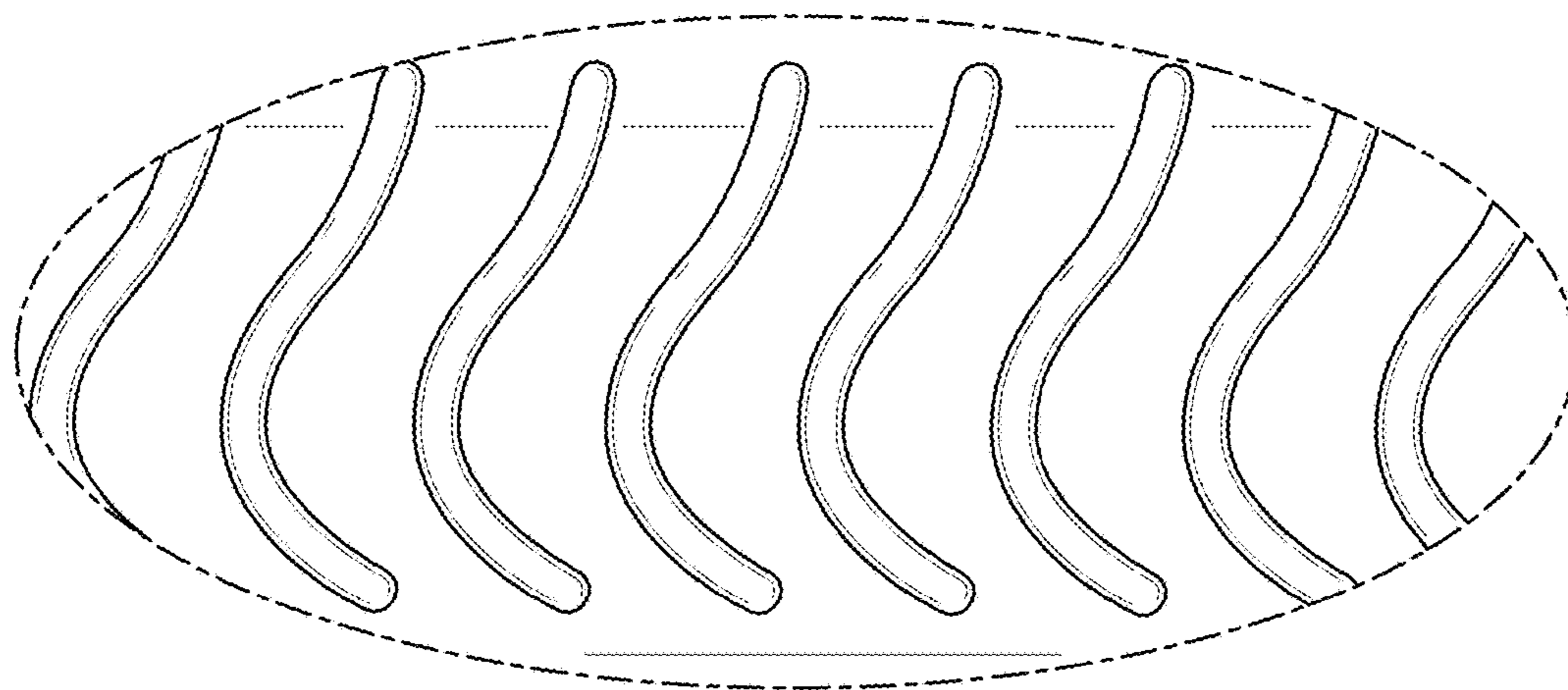


FIG. 12

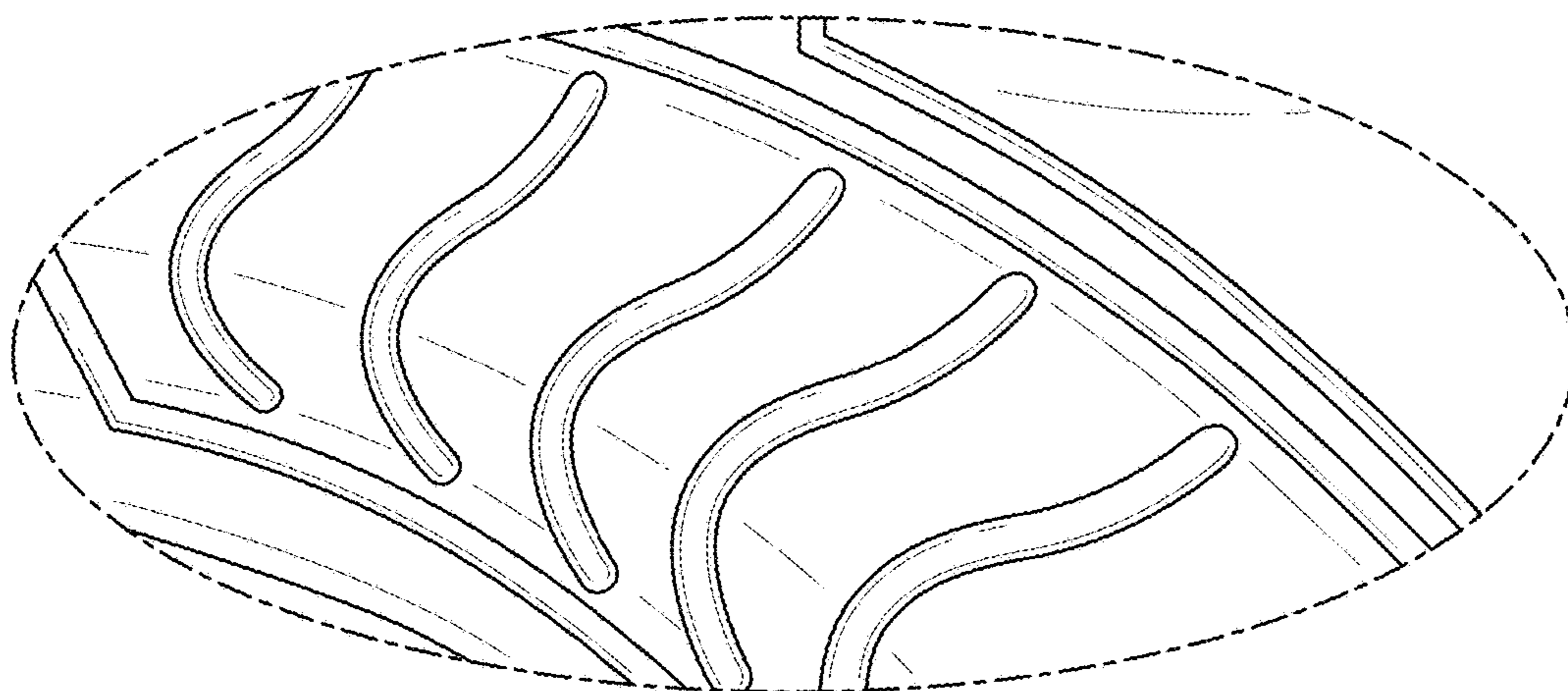


FIG. 13

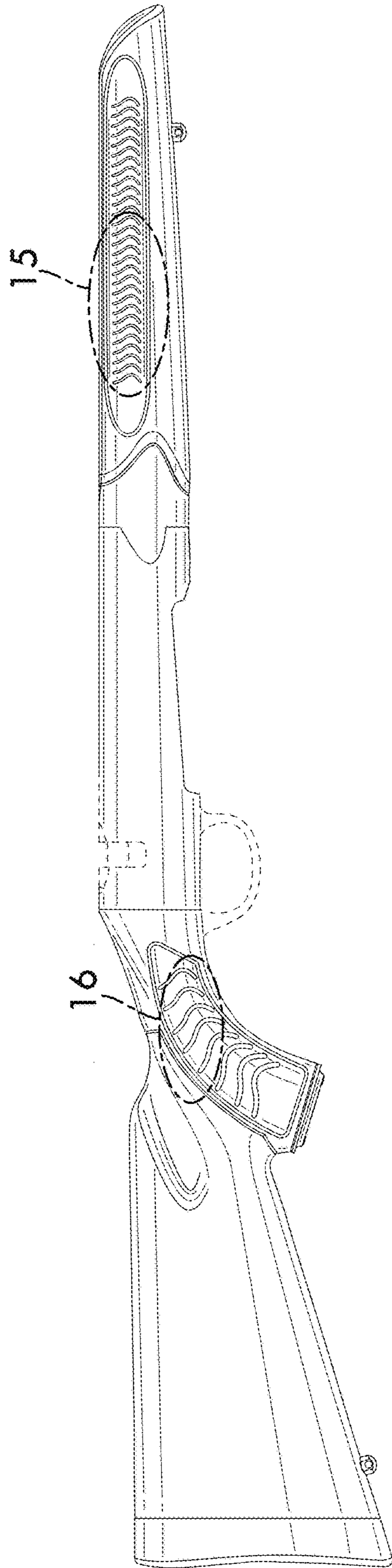


FIG. 14

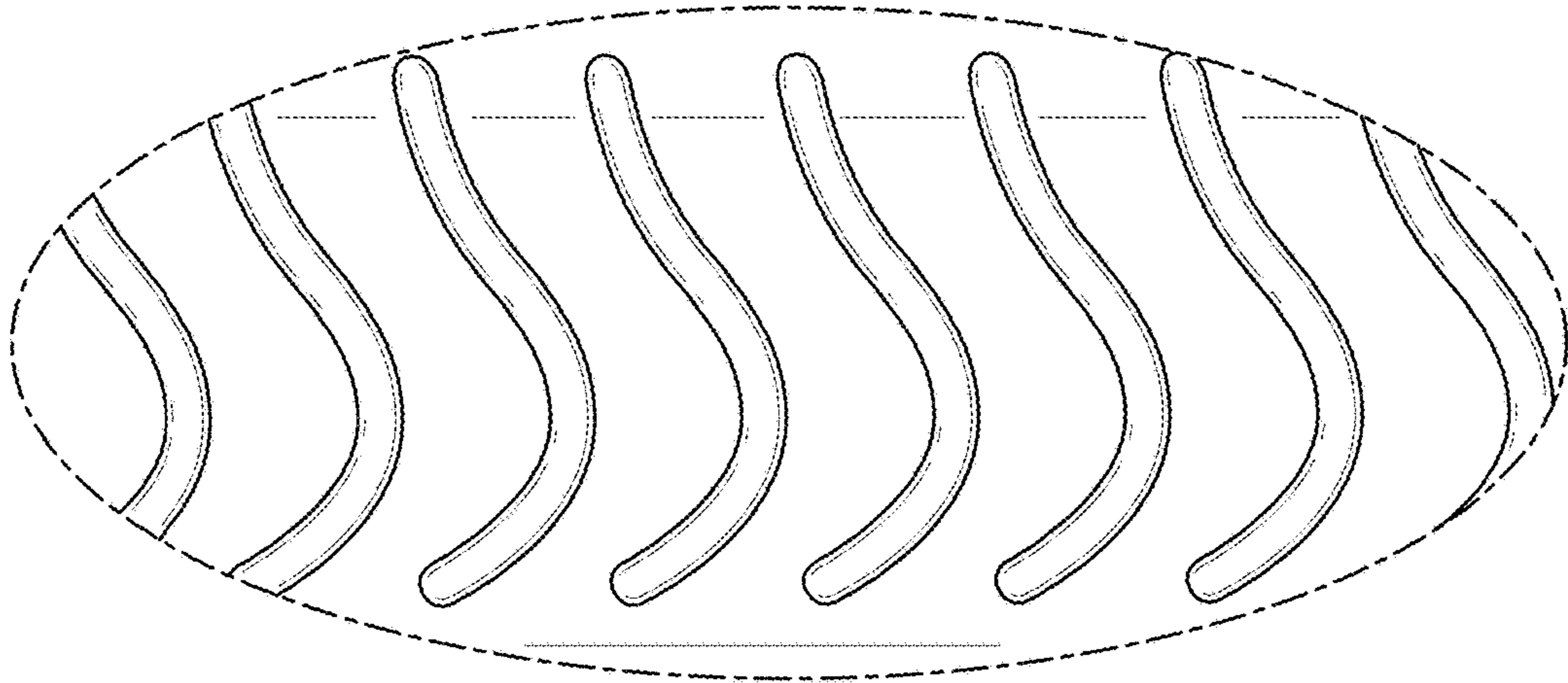


FIG. 15

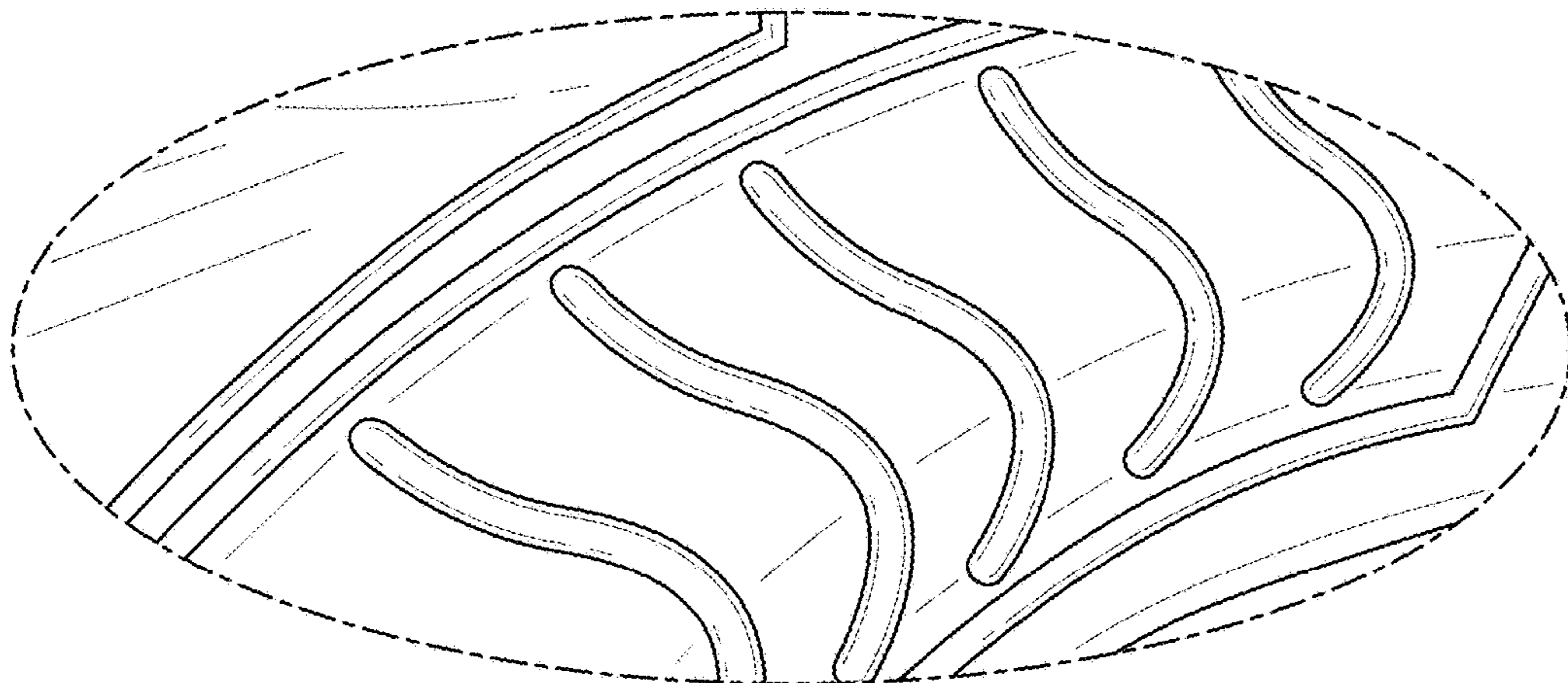


FIG. 16

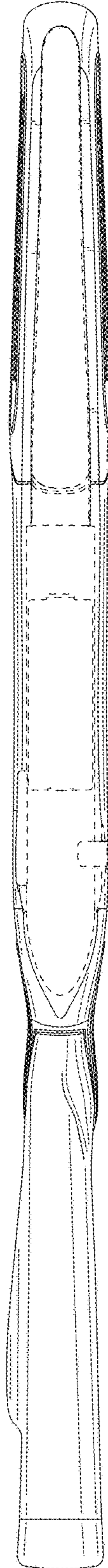


FIG. 17

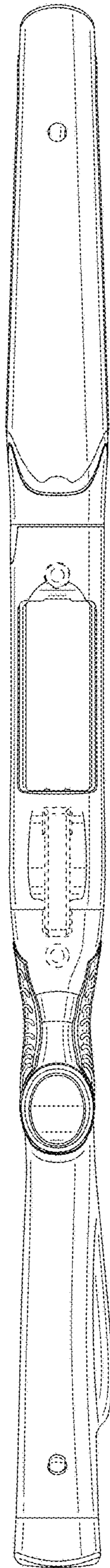


FIG. 18

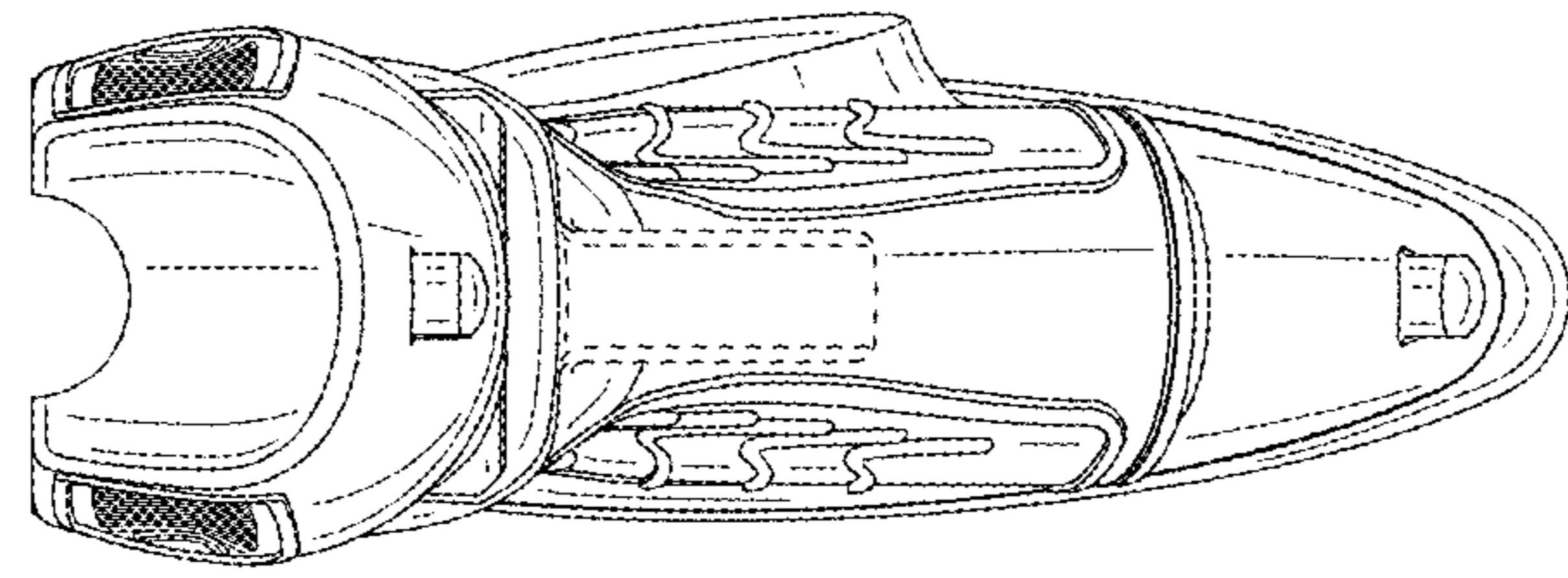


FIG. 20

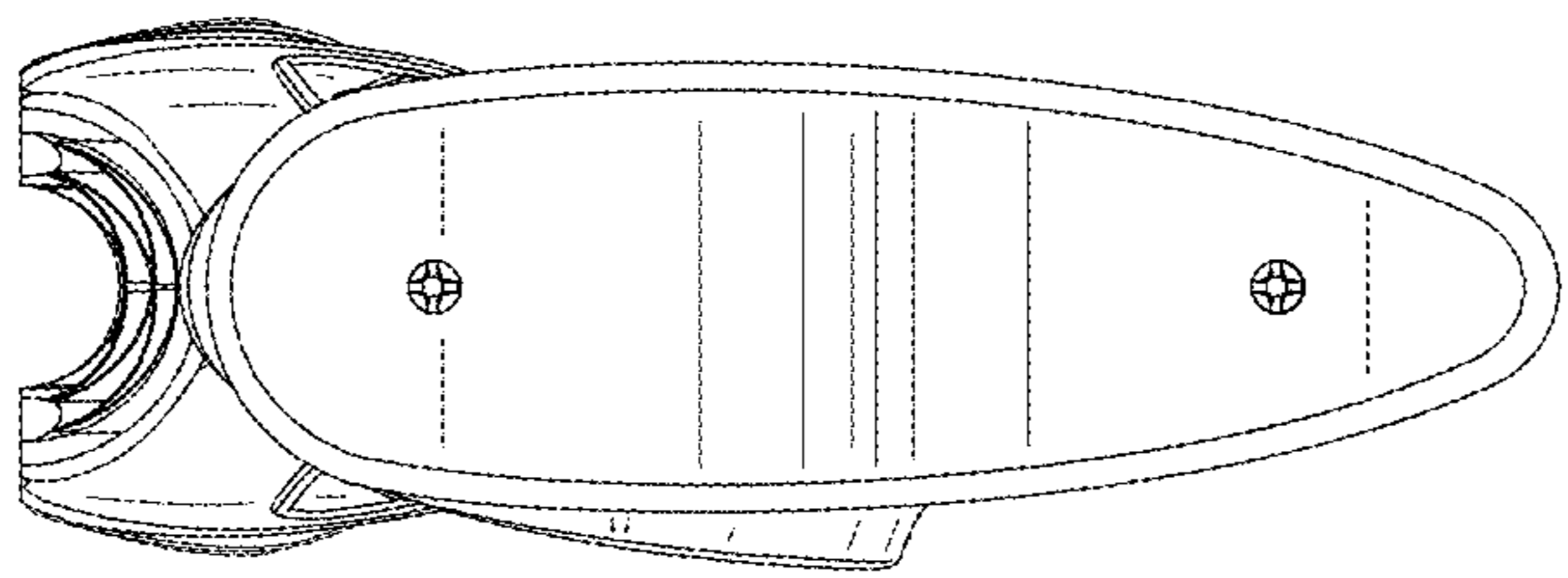


FIG. 19