



US00D779615S

(12) **United States Design Patent** (10) **Patent No.:** **US D779,615 S**
Barnett (45) **Date of Patent:** **** Feb. 21, 2017**

(54) **CROSSBOW STOCK**

(71) Applicant: **Barnett Outdoors, LLC**, Tarpon Springs, FL (US)
(72) Inventor: **David A. Barnett**, Tarpon Springs, FL (US)
(73) Assignee: **Barnett Outdoors, LLC**, Tarpon Springs, FL (US)

(**) Term: **15 Years**

(21) Appl. No.: **29/541,275**

(22) Filed: **Oct. 1, 2015**

(51) **LOC (10) Cl.** **22-01**

(52) **U.S. Cl.**
USPC **D22/107**

(58) **Field of Classification Search**
USPC D22/107
CPC F41B 5/12; F41B 5/148
See application file for complete search history.

(56) **References Cited**

U.S. PATENT DOCUMENTS

D737,920	S *	9/2015	Darlington	D22/107
9,194,645	B2 *	11/2015	Biafore, Jr.	F41B 5/12
9,255,755	B1 *	2/2016	Barnett	F41B 5/12
9,303,944	B2 *	4/2016	Barber	F41B 5/123
9,395,143	B2 *	7/2016	Barnett	F41B 5/12
2015/0233665	A1 *	8/2015	Trpkovski	F41B 5/1469
					124/25
2016/0018175	A1 *	1/2016	Lallier et al.	F41A 9/73
					124/25.6

OTHER PUBLICATIONS

Applicant's co-pending Design U.S. Appl. No. 29/541,268, "Crossbow Stock," David A. Barnett, filed Oct. 1, 2015.
Applicant's co-pending Design U.S. Appl. No. 29/541,271, "Crossbow Stock," David A. Barnett, filed Oct. 1, 2015.
Applicant's co-pending Design U.S. Appl. No. 29/541,277, "Crossbow Stock," David A. Barnett, filed Oct. 1, 2015.
Applicant's co-pending Design U.S. Appl. No. 29/541,280, "Crossbow Stock," David A. Barnett, filed Oct. 1, 2015.
Applicant's co-pending U.S. Appl. No. 62/202,618, "Crossbow with Cocking Device Storage," David A. Barnett, filed Aug. 7, 2015.

* cited by examiner

Primary Examiner — Michael A Pratt

(74) *Attorney, Agent, or Firm* — Jones Walker, LLP

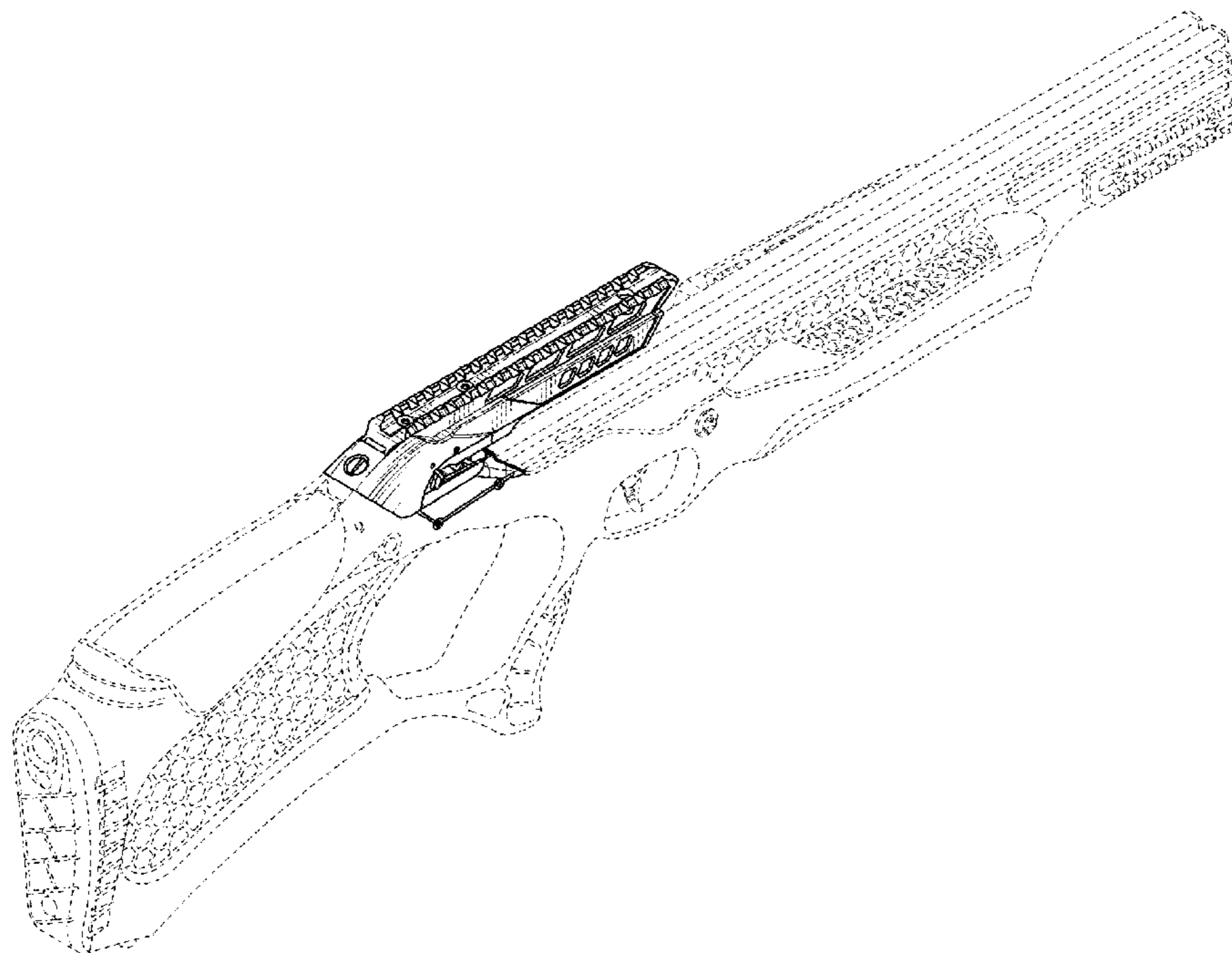
(57) **CLAIM**

I claim the ornamental design for a crossbow stock, as shown and described.

DESCRIPTION

FIG. 1 is a perspective view of my new design;
FIG. 2 is a front view thereof;
FIG. 3 is a rear view thereof;
FIG. 4 is a right side view thereof;
FIG. 5 is a left side view thereof;
FIG. 6 is a top view thereof; and,
FIG. 7 is a bottom view thereof.
The broken lines in FIGS. 1-7 are for illustrative purposes and form no part of the claimed design.

1 Claim, 4 Drawing Sheets



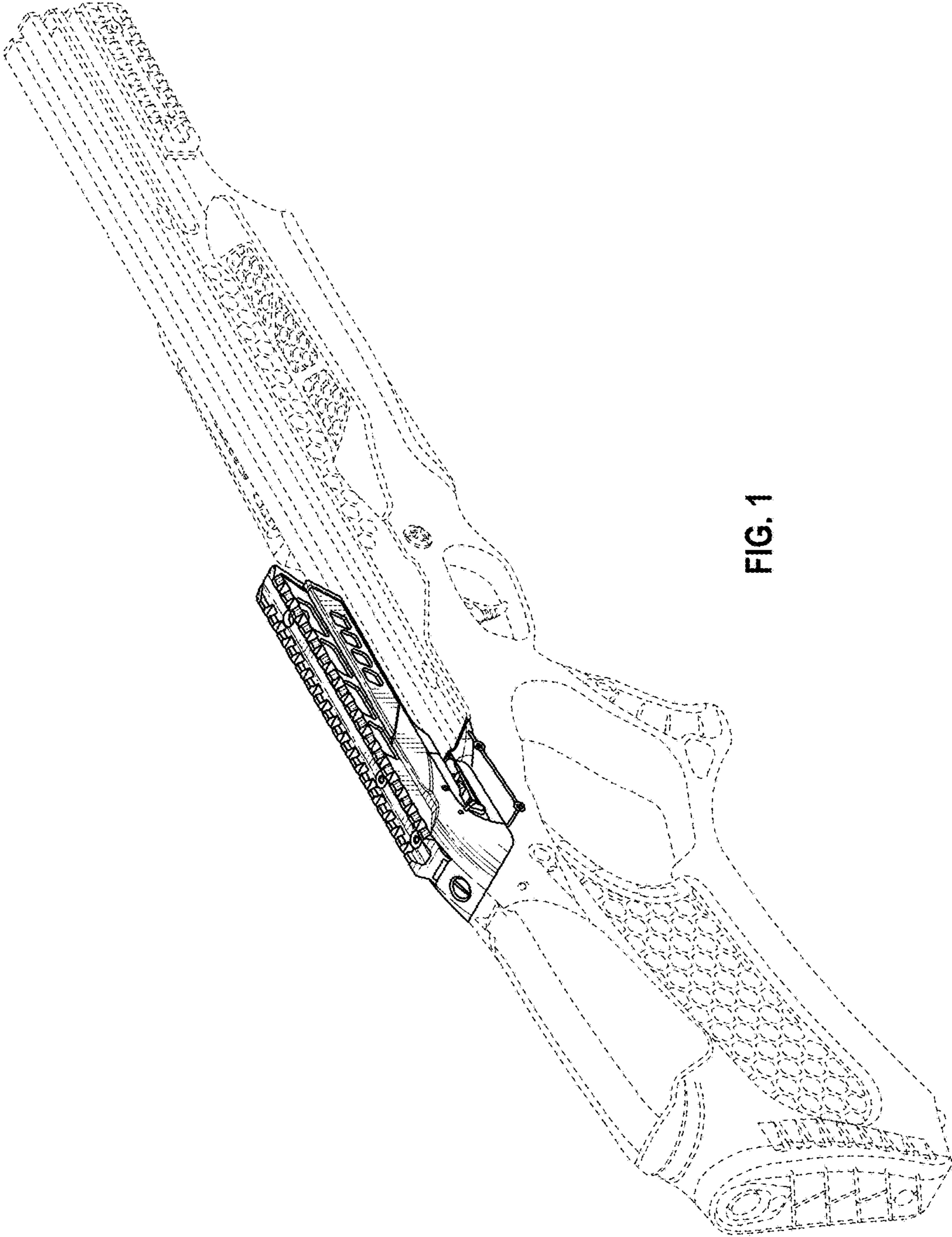


FIG. 1

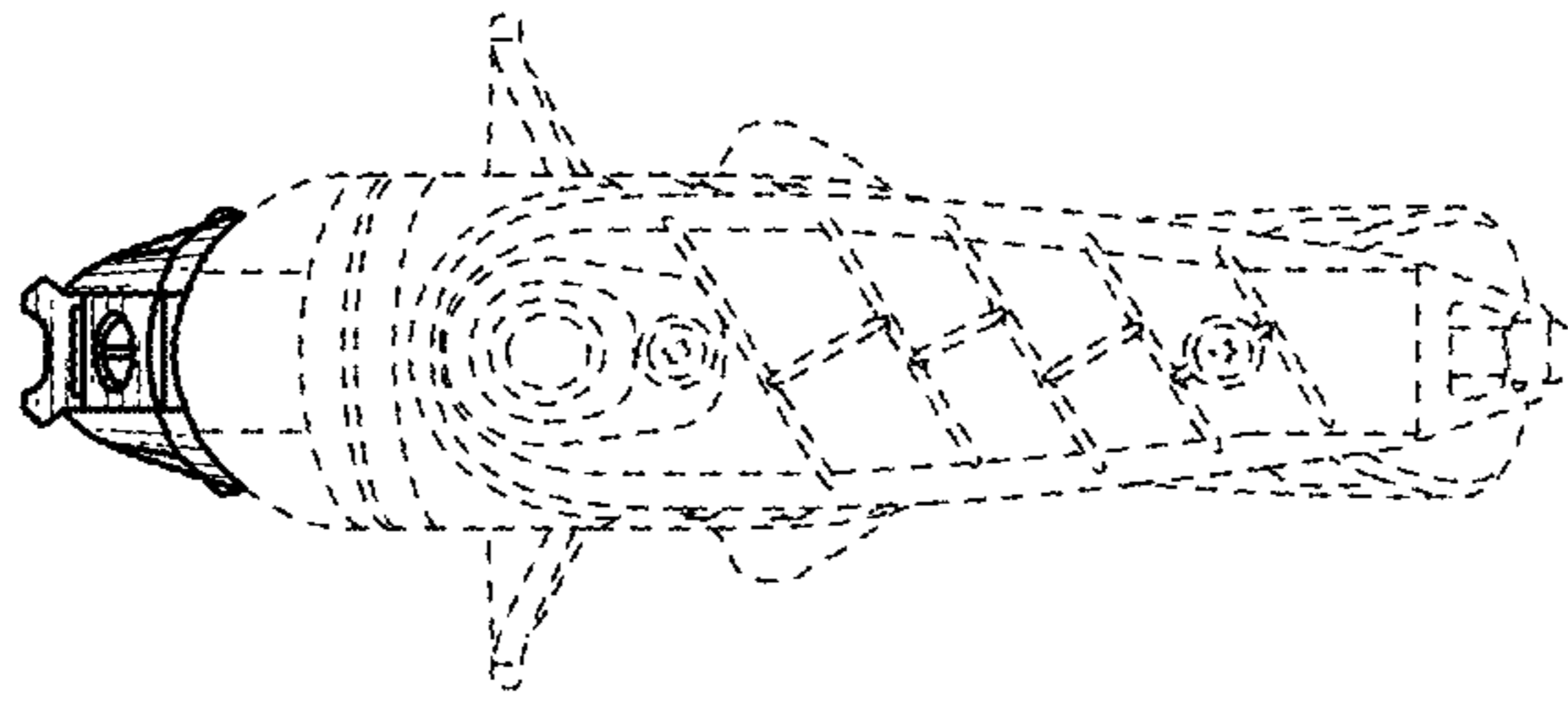


FIG. 3

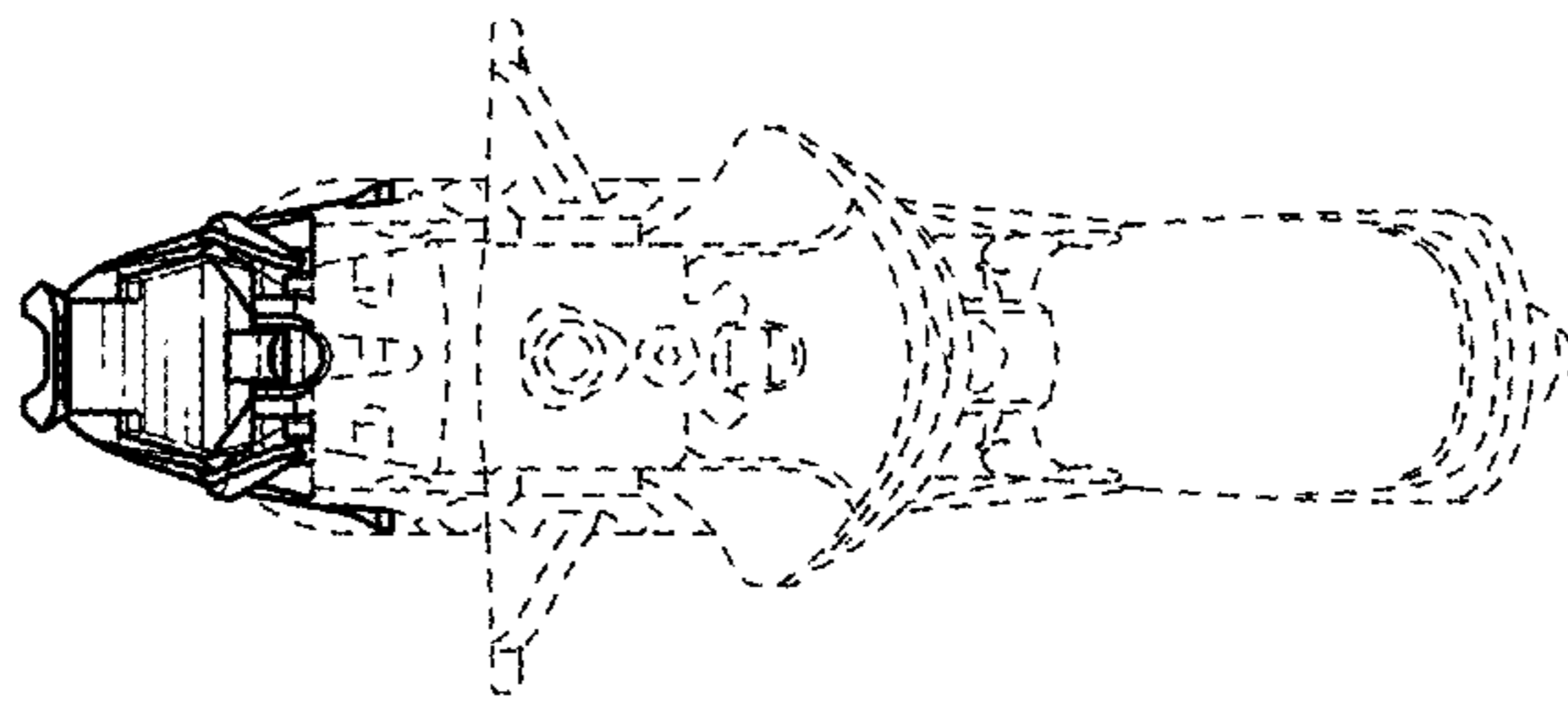


FIG. 2

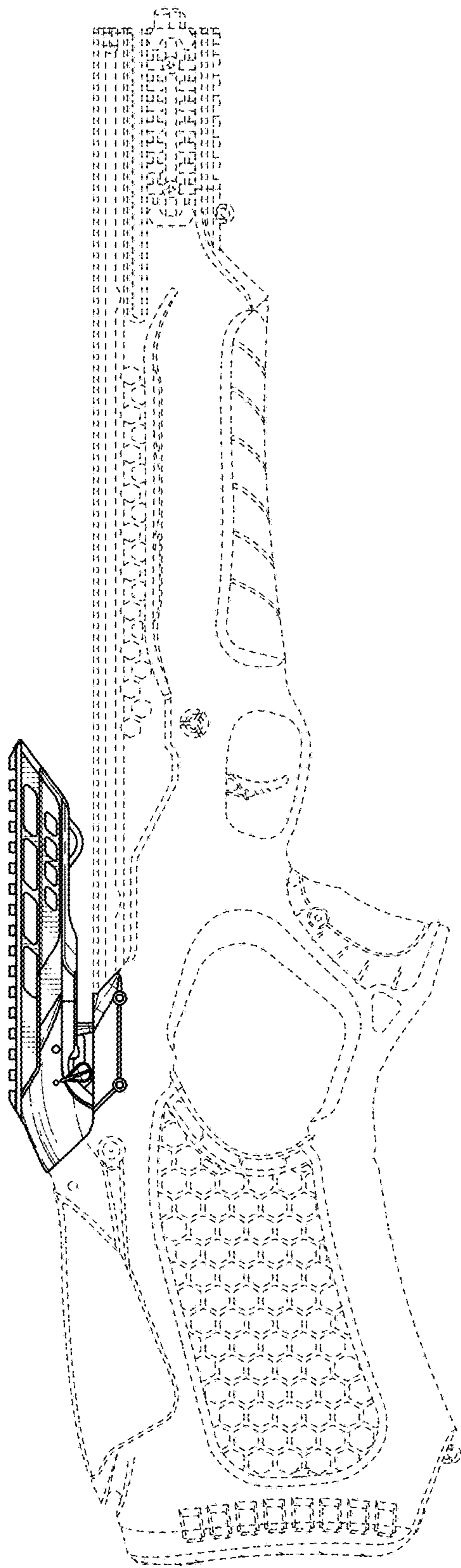


FIG. 4

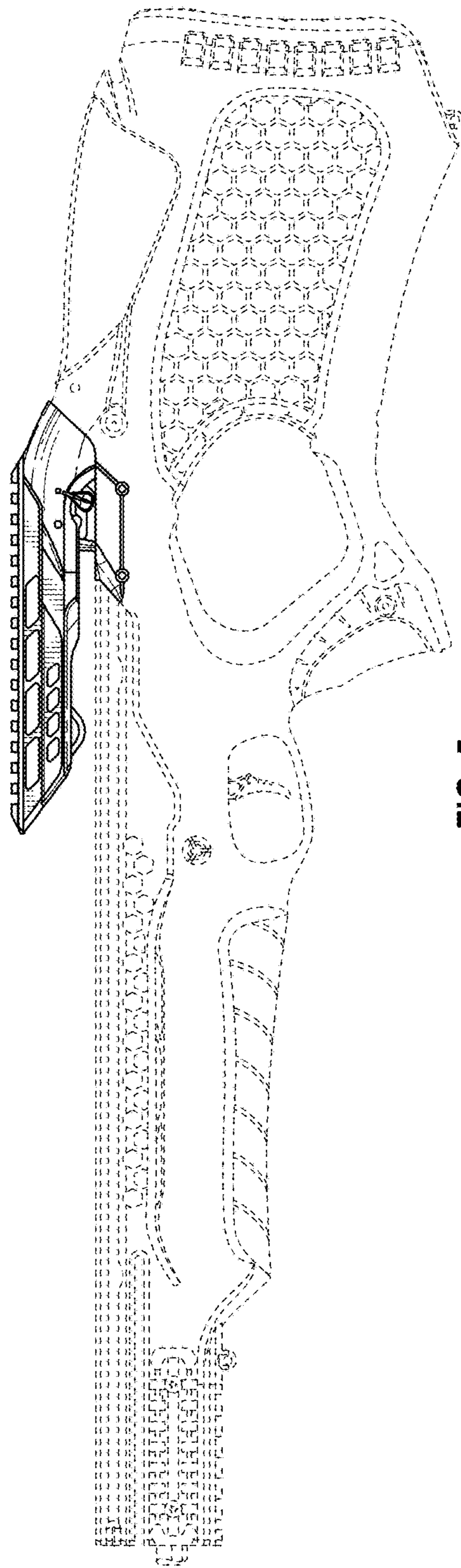


FIG. 5

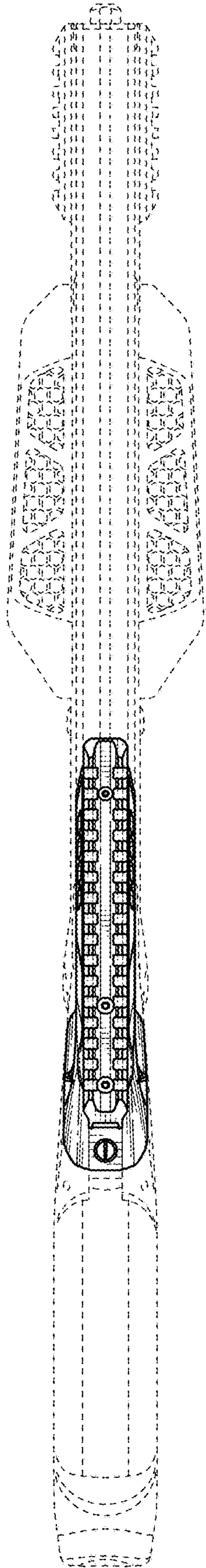


FIG. 6

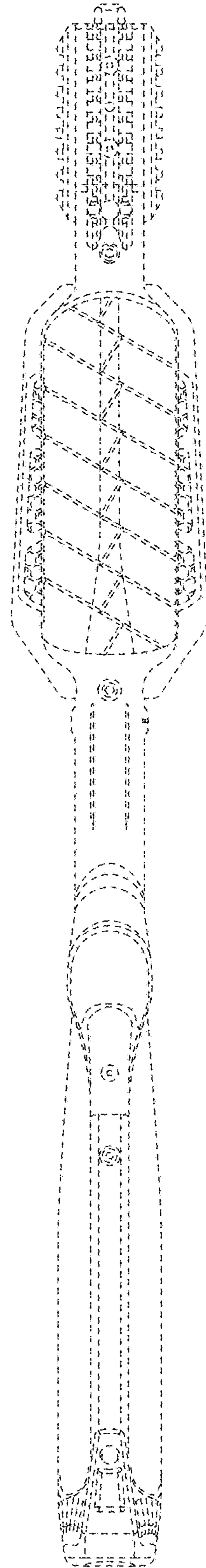


FIG. 7