



US00D779606S

(12) **United States Design Patent**
Becktor

(10) **Patent No.:** **US D779,606 S**

(45) **Date of Patent:** **** Feb. 21, 2017**

(54) **GOLF CLUB HEAD**

(71) Applicant: **DUNLOP SPORTS CO. LTD.**, Kobe (JP)

(72) Inventor: **Mika Becktor**, Costa Mesa, CA (US)

(73) Assignee: **DUNLOP SPORTS CO. LTD.**, Kobe (JP)

(**) Term: **15 Years**

(21) Appl. No.: **29/542,465**

(22) Filed: **Oct. 14, 2015**

(51) **LOC (10) Cl.** **21-02**

(52) **U.S. Cl.**
USPC **D21/742**

(58) **Field of Classification Search**
USPC D21/736-746, 759
CPC ... A63B 53/065; A63B 53/0487; A63B 53/00;
A63B 53/007; A63B 53/04
See application file for complete search history.

(56) **References Cited**

U.S. PATENT DOCUMENTS

D228,930 S *	10/1973	Leigh	D21/742
D239,402 S *	3/1976	Kindred	D21/741
D291,343 S *	8/1987	Shearer	D21/744
D297,445 S *	8/1988	Shearer	D21/743
D297,446 S *	8/1988	Shearer	D21/743
D297,964 S *	10/1988	Shearer	D21/743
D322,829 S *	12/1991	Antonious	D21/742
D325,950 S *	5/1992	Duran	D21/744
D337,803 S *	7/1993	Sillers	D21/741
5,405,136 A	4/1995	Hardman		
5,417,429 A *	5/1995	Strand	A63B 69/3685 473/251
D360,669 S *	7/1995	Buscemi	D21/743

5,464,212 A	11/1995	Cook		
D380,514 S *	7/1997	Markley	D21/741
5,766,093 A	6/1998	Rohrer		
5,944,619 A	8/1999	Cameron		
6,302,807 B1	10/2001	Rohrer		
6,375,583 B1	4/2002	Solheim		
6,680,822 B1	1/2004	Lin et al.		
D495,389 S *	8/2004	Pinder	D21/736

(Continued)

OTHER PUBLICATIONS

Nike Golf Method Converge M1-08 Putter. Information and images available at: <<http://www.golfwrx.com/246795/full-nike-2015-equipment-line>>. pp. 10-11. Oct. 1, 2014.

(Continued)

Primary Examiner — Mitchell Siegel

(74) *Attorney, Agent, or Firm* — Oliff PLC

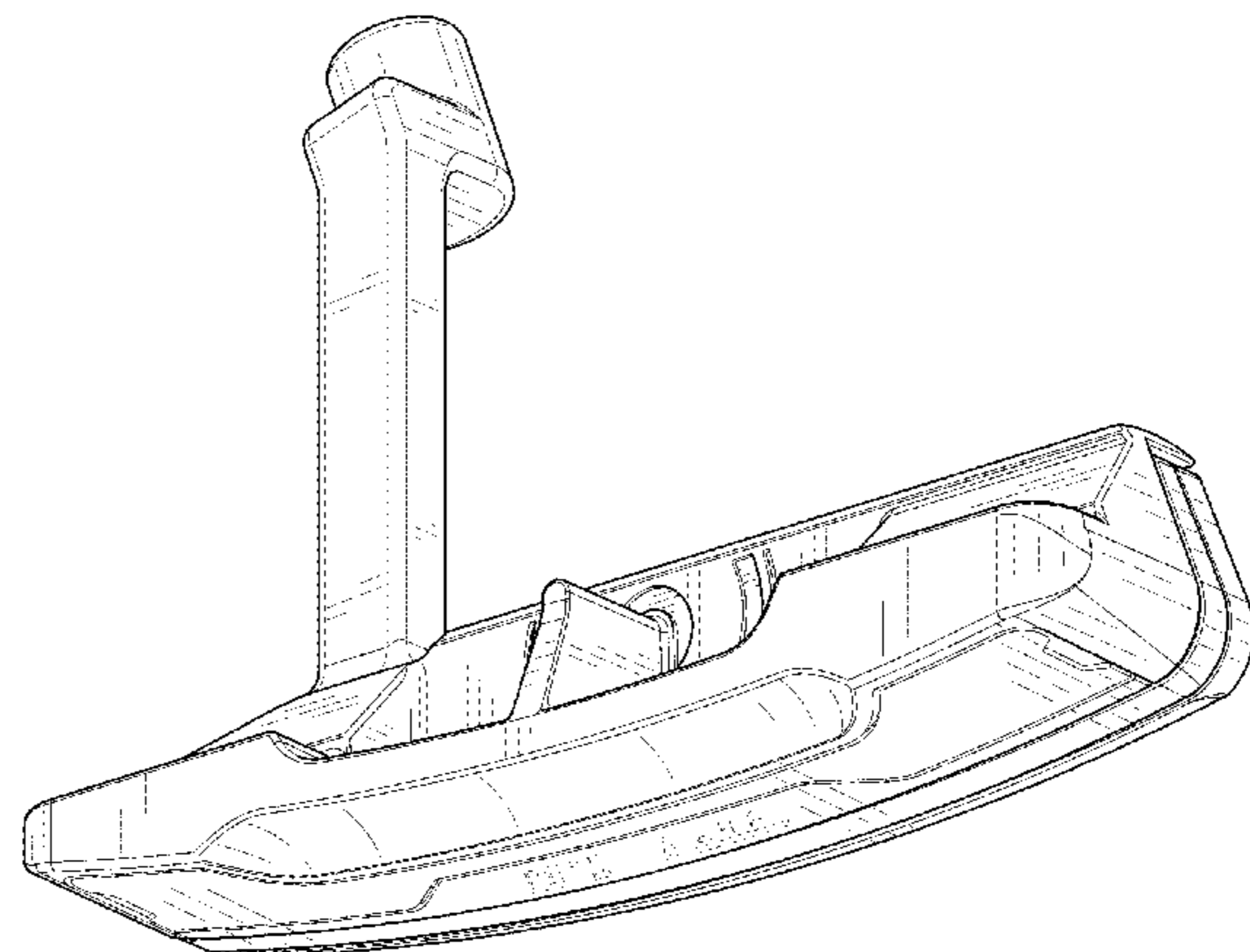
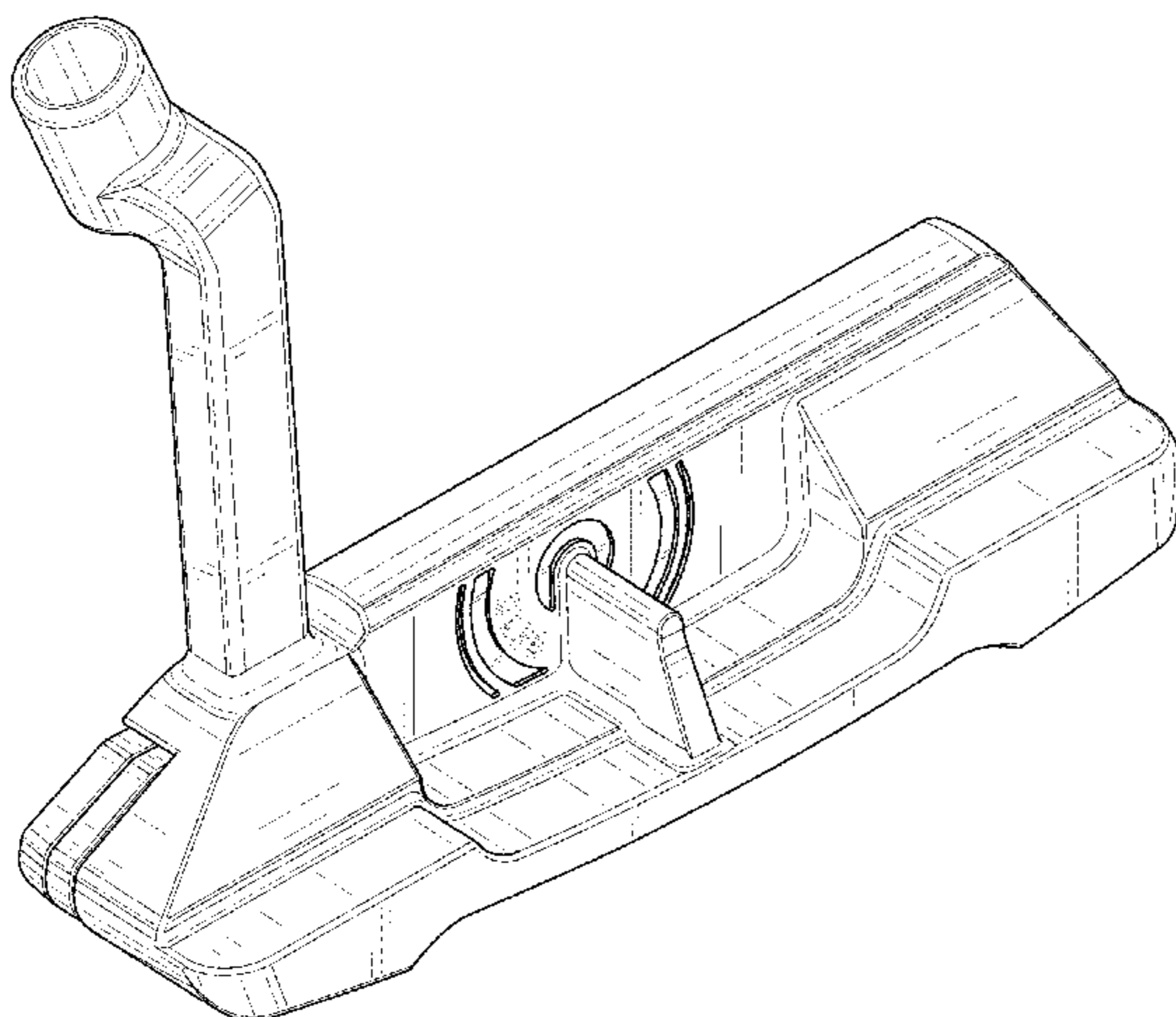
(57) **CLAIM**

The ornamental design for a golf club head, as shown and described.

DESCRIPTION

FIG. 1 is a front, heel-side, top perspective view of the golf club head;
FIG. 2 is a rear, heel-side, top perspective view thereof;
FIG. 3 is a front elevational view thereof;
FIG. 4 is a rear elevational view thereof;
FIG. 5 is a heel-side elevational view thereof;
FIG. 6 is a toe-side elevational view thereof;
FIG. 7 is a top plan view thereof;
FIG. 8 is a bottom plan view thereof; and,
FIG. 9 is a rear, toe-side, bottom perspective view thereof.
The broken lines depict environmental subject matter only and form no part of the claimed design.

1 Claim, 8 Drawing Sheets



(56)

References Cited

U.S. PATENT DOCUMENTS

D511,801 S *	11/2005	Garcia	D21/742
7,175,540 B2	2/2007	Sano	
7,455,599 B2	11/2008	Jones	
7,648,424 B2	1/2010	Hinojosa	
8,771,098 B2	7/2014	Hilton	
8,834,285 B2	9/2014	Franklin et al.	
D730,462 S	5/2015	Becktor et al.	
D730,463 S	5/2015	Dolezel et al.	
D732,120 S	6/2015	Becktor et al.	
D732,121 S	6/2015	Trahan et al.	
D732,122 S	6/2015	Becktor	
D732,618 S	6/2015	Becktor et al.	
D733,233 S	6/2015	Dolezel et al.	
2010/0173720 A1 *	7/2010	Kim	A63B 53/0487 473/252
2012/0149492 A1	6/2012	Del Rosario et al.	
2014/0194220 A1	7/2014	Hocknell et al.	

OTHER PUBLICATIONS

Nike Method Converge B1-01 Putter. Information and images available at: <<http://www.golfwrx.com/246795/full-nike-2015-equipment-line>>. Oct. 1, 2014.

Nike Method Converge S1-12 Putter. Information and images available at: <<http://www.golfwrx.com/246795/full-nike-2015-equipment-line>>. Oct. 1, 2014.

Cobra Golf Payday putter. Information and images available at: <http://valueguide.pga.com/detail-exec/brand/2678/product_type/206/model/44329/b/Cobra/p/Putter/m/Payday%20Mallet>. Nov. 26, 2007.

Cobra Golf Bobby Grace Cute Kid Putter. Information and images available at: <https://valueguide.pga.com/detail-exec/brand/2678/product_type/206/model/43637/b/Cobra/p/Putter/m/Bobby%20Grace%20The%20Cute%20Kid>. Nov. 26, 2007.

* cited by examiner

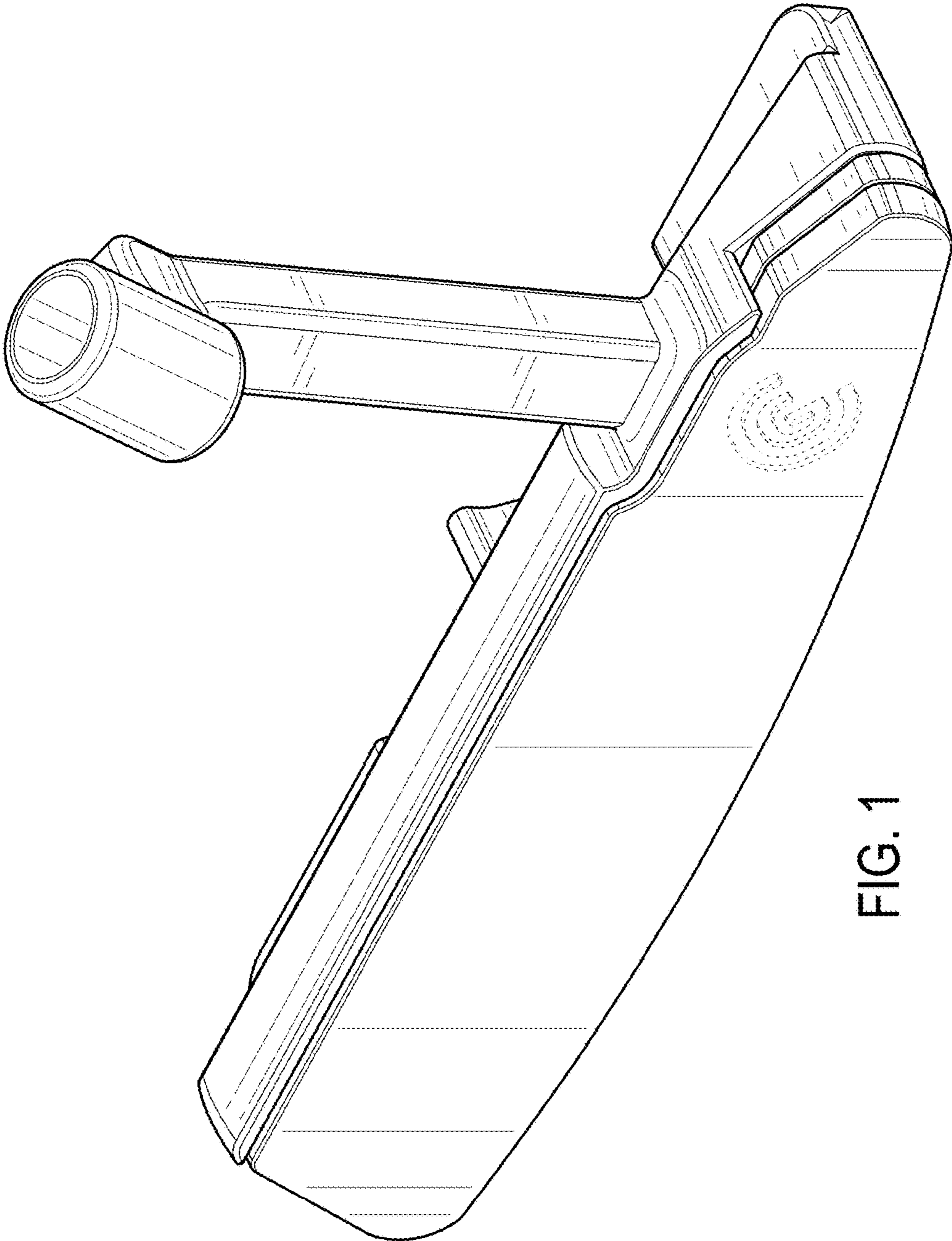


FIG. 1

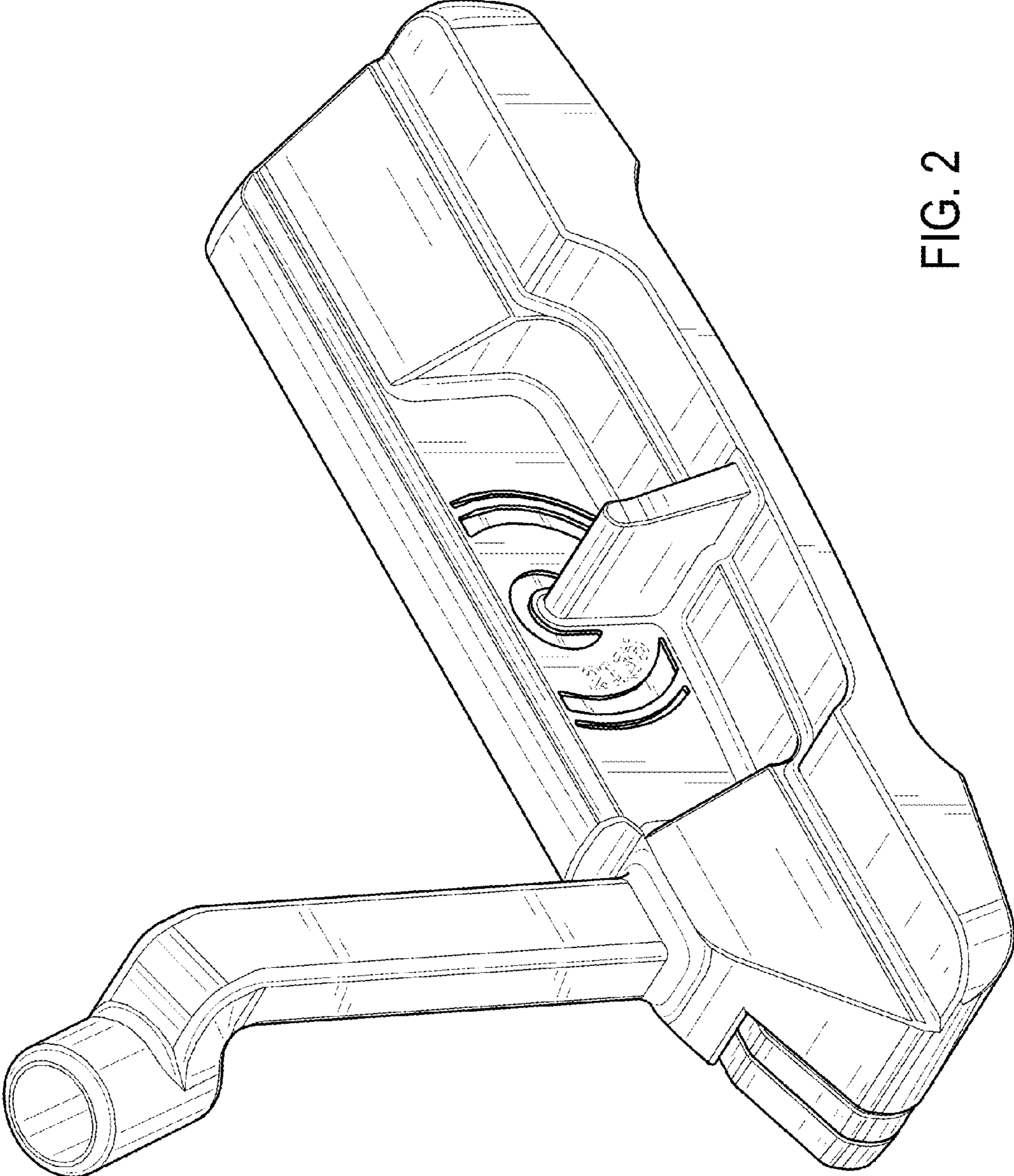


FIG. 2

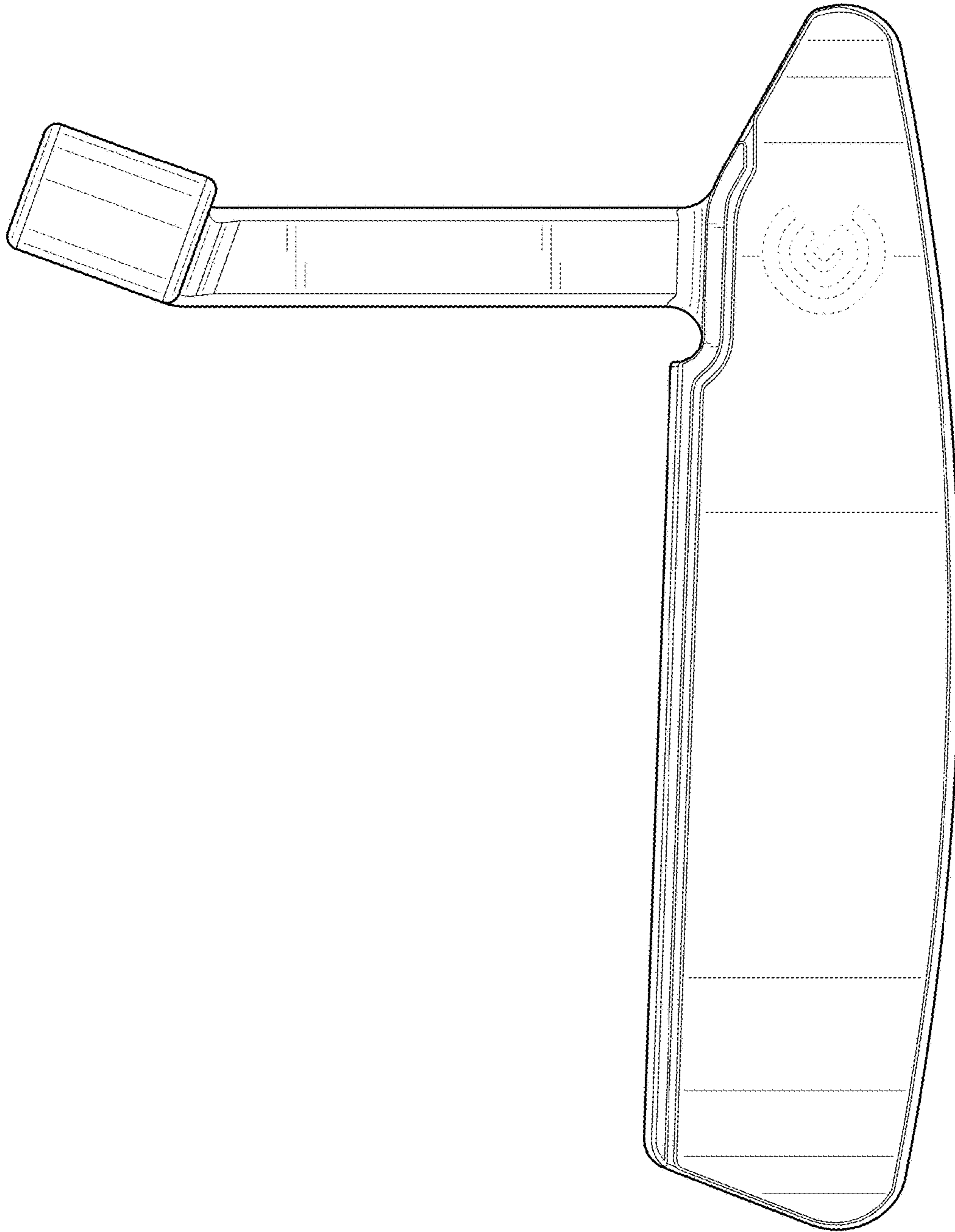


FIG. 3

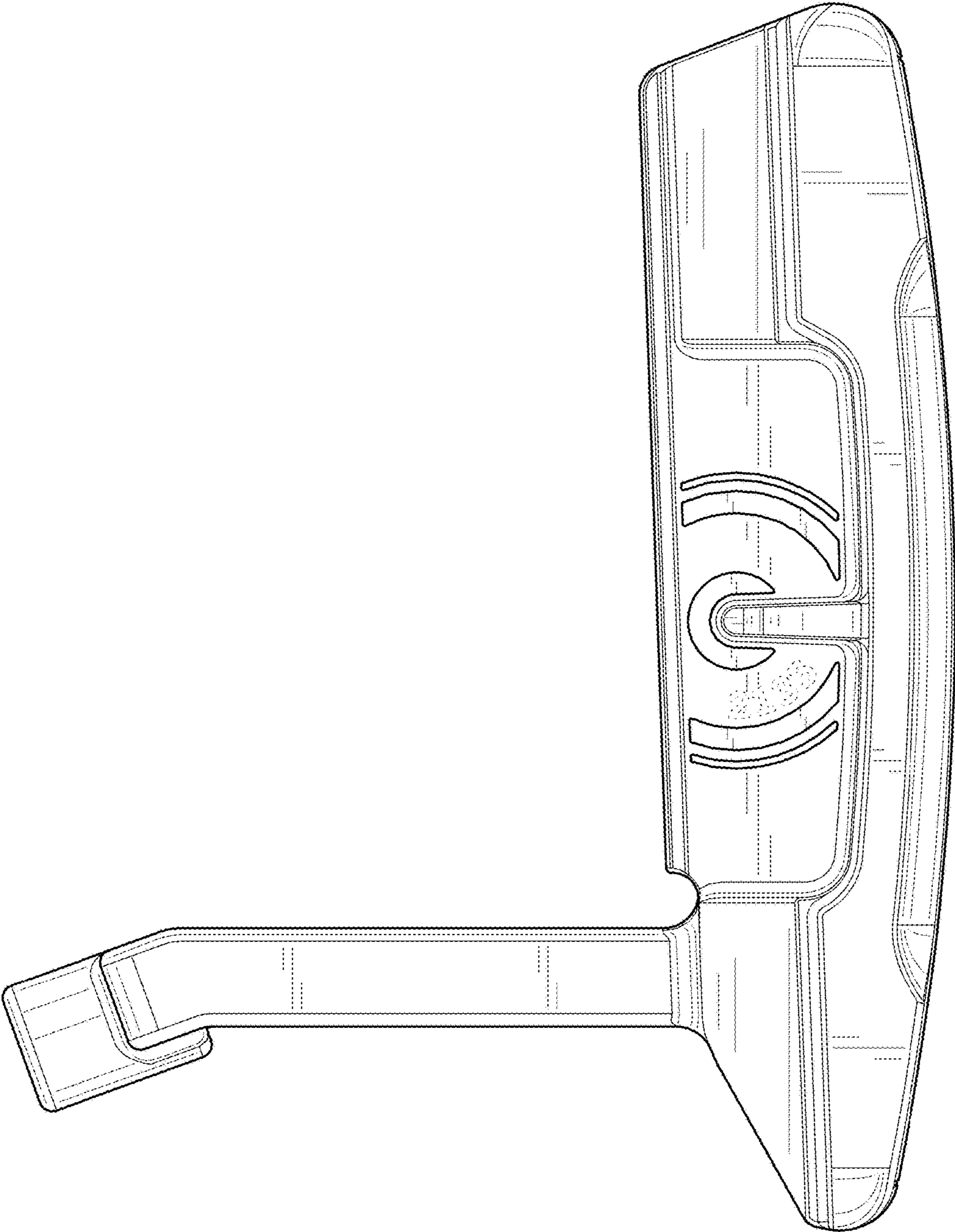


FIG. 4

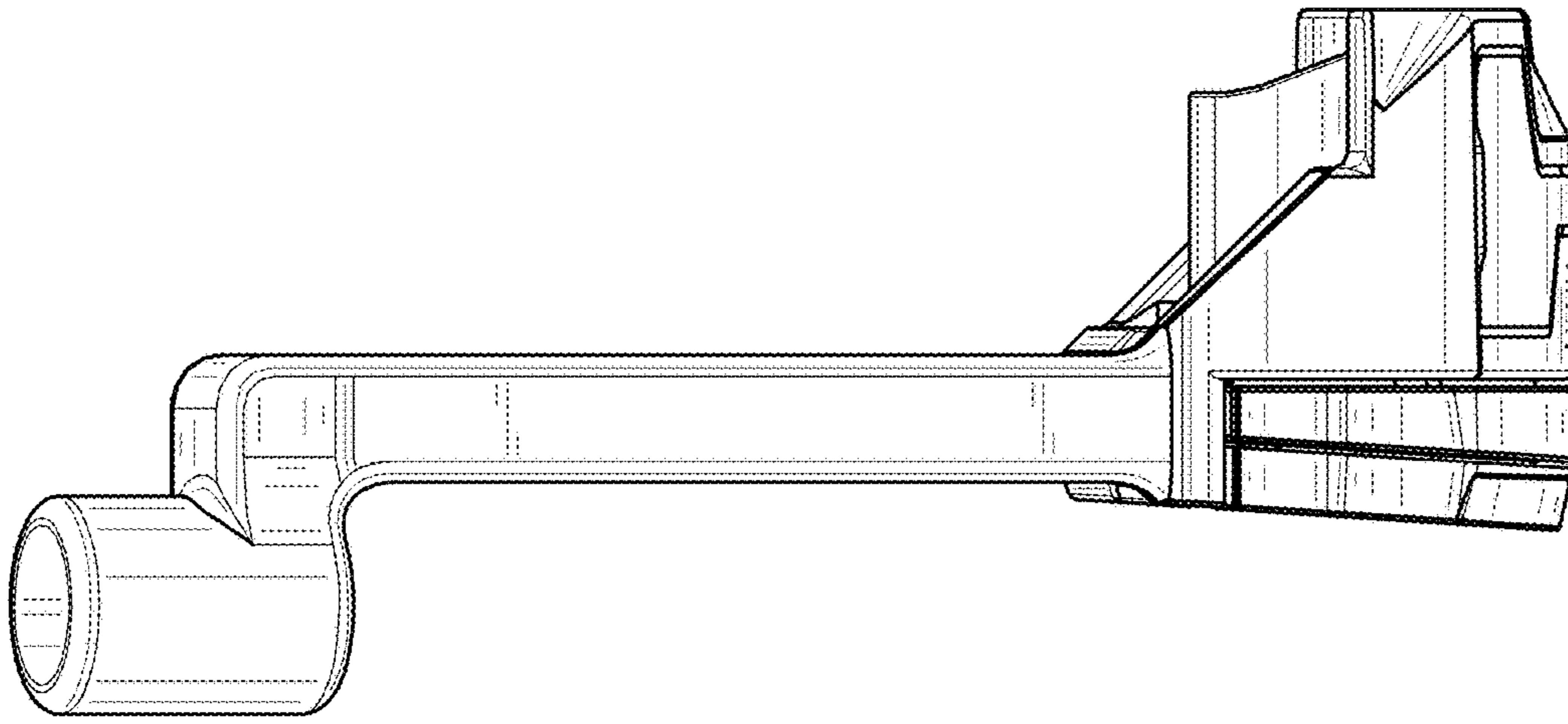


FIG. 6

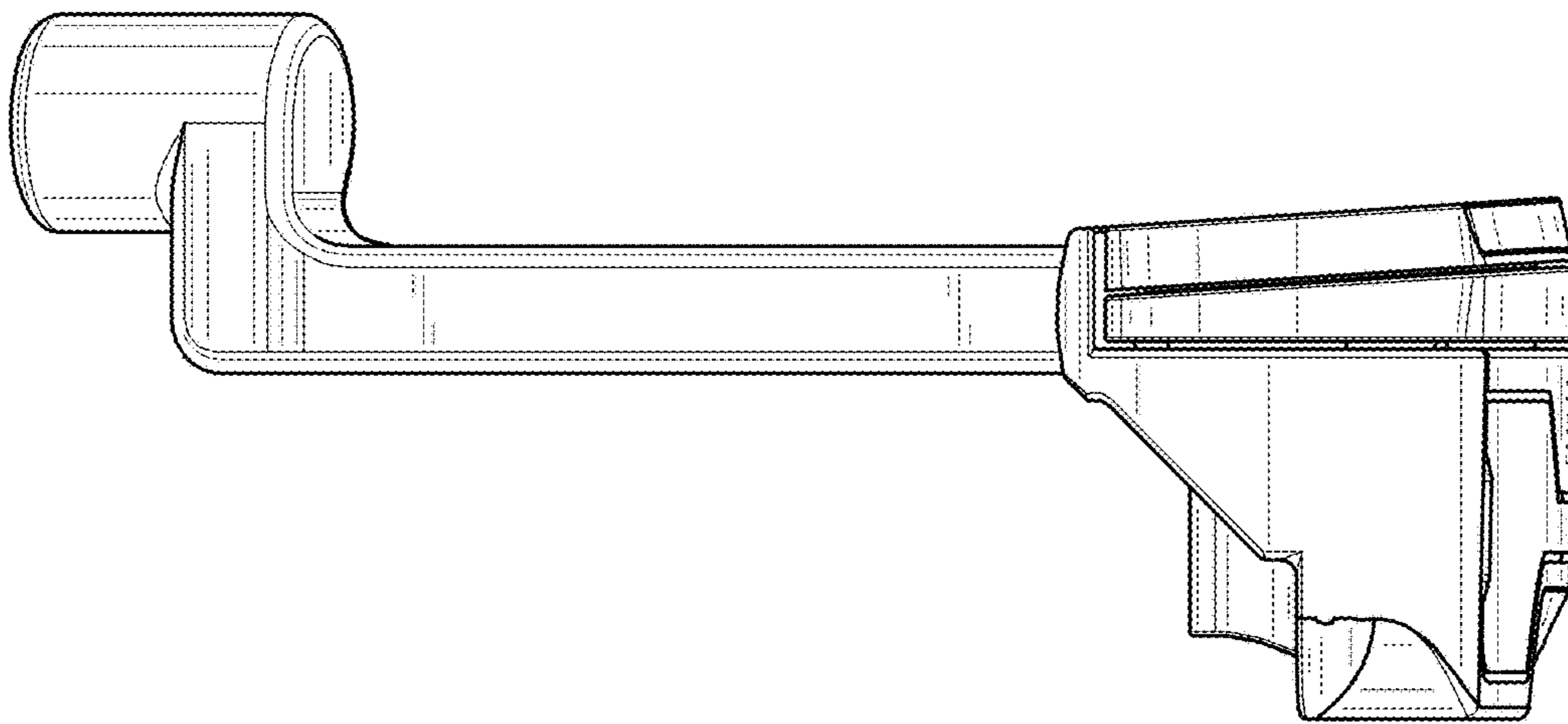


FIG. 5

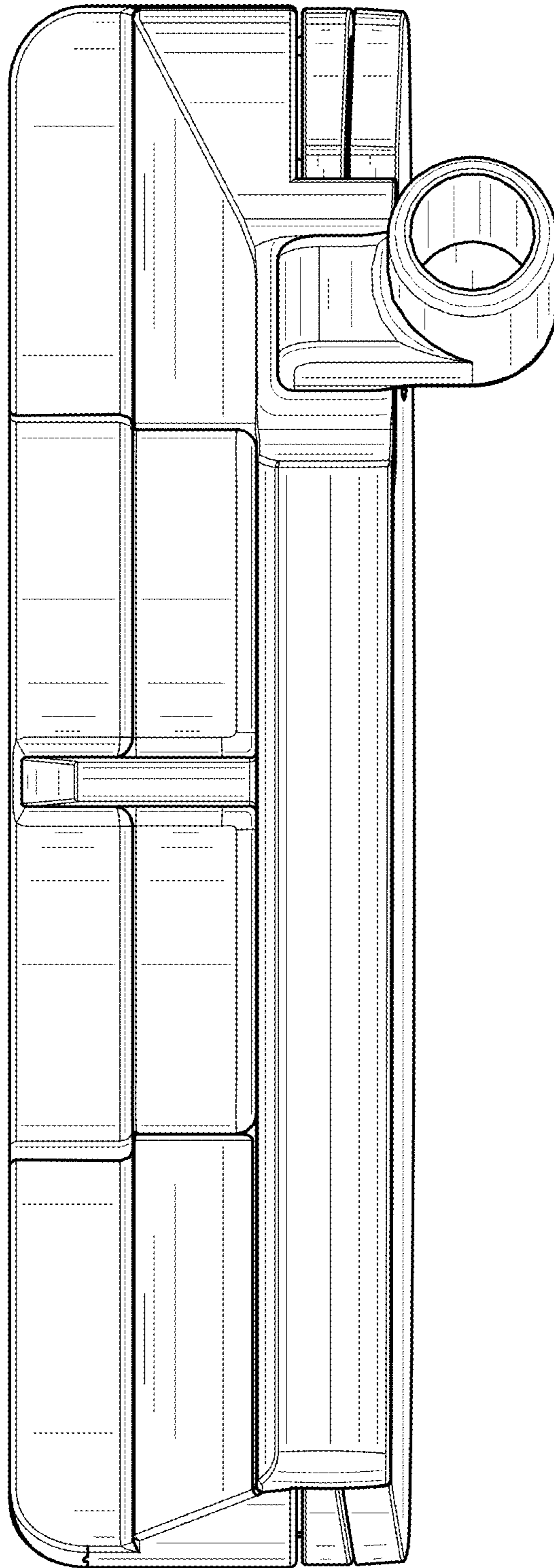


FIG. 7

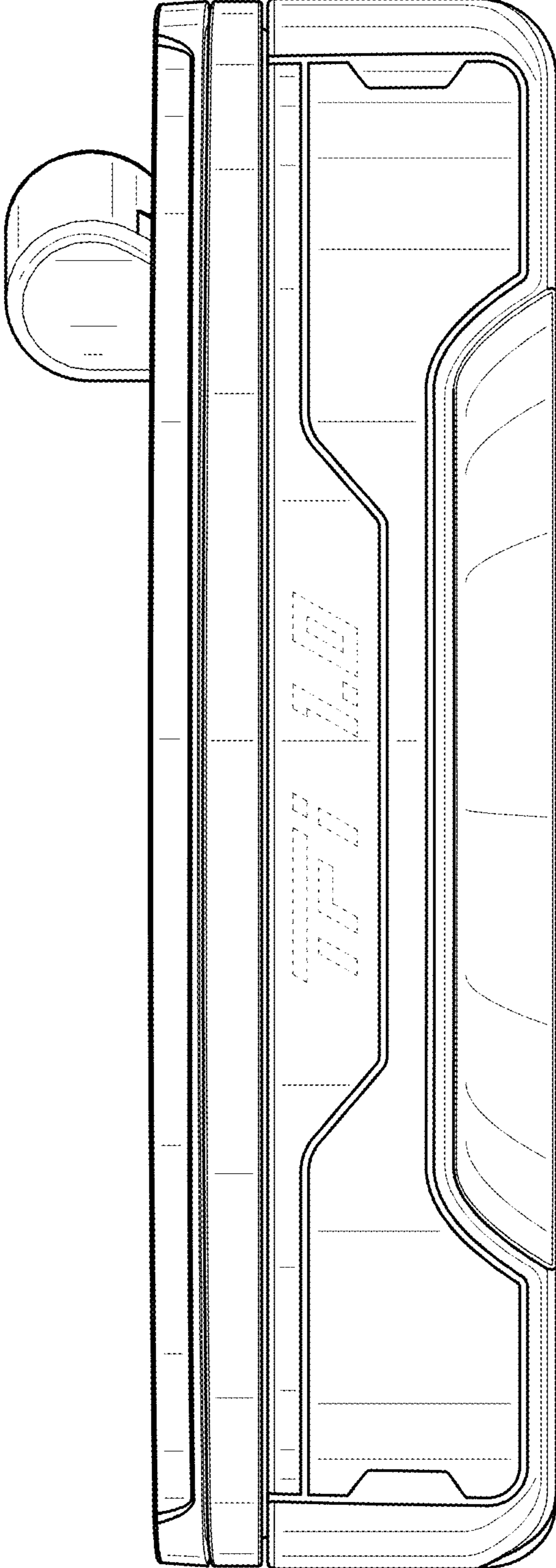


FIG. 8

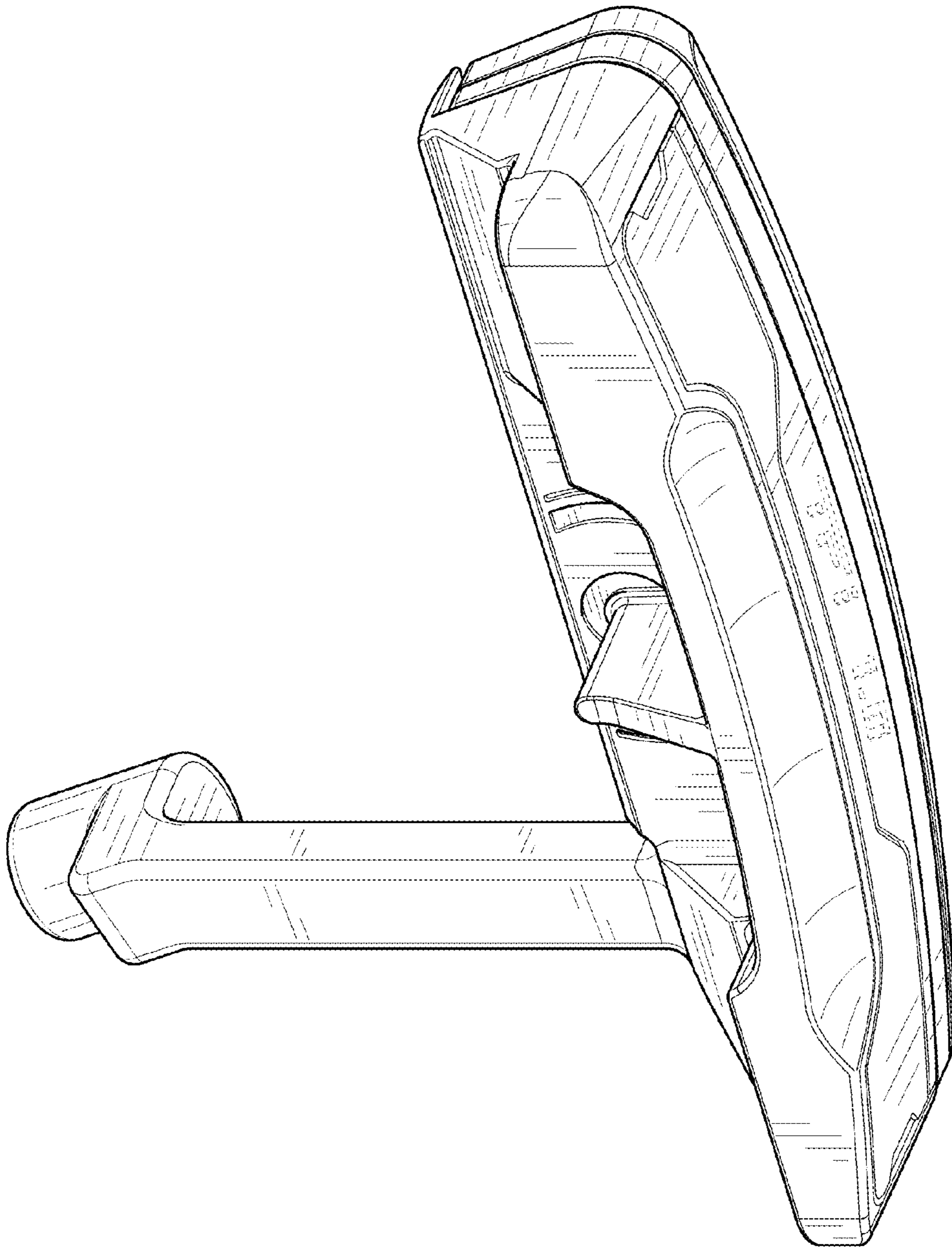


FIG. 9