



US00D779604S

(12) **United States Design Patent**  
**Lawlor**

(10) **Patent No.:** **US D779,604 S**  
(45) **Date of Patent:** **\*\* Feb. 21, 2017**

(54) **BALL**

(71) Applicant: **JAKKS Pacific, Inc.**, Santa Monica, CA (US)

(72) Inventor: **Anthony Lawlor**, Los Angeles, CA (US)

(73) Assignee: **JAKKS Pacific, Inc.**, Santa Monica, CA (US)

(\*\*) Term: **15 Years**

(21) Appl. No.: **29/547,047**

(22) Filed: **Nov. 30, 2015**

(51) **LOC (10) Cl.** ..... **21-02**

(52) **U.S. Cl.**  
USPC ..... **D21/707; D21/713**

(58) **Field of Classification Search**  
USPC ..... D21/707-714, 301, 386, 398, 400, 406, D21/438-440, 466, 476, 498; D30/160; D11/43, 44, 48, 70, 75, 76, 79, 81, 121, D11/124, 125; D24/193-195; 473/569, 473/575, 576, 596, 612, 614, 615; 446/72, 446/227, 421, 431, 486, 487, 490; 428/4, 428/11; 119/707-711  
CPC ..... A63B 65/00; A63B 65/06; A63B 65/12; A63B 65/122; A63B 65/125; A63B 65/127; A63B 67/002; A63B 67/08; A63B 67/083; A63B 67/086; A63B 67/10; A63B 67/16; A63B 67/18; A63B 67/183; A63B 37/00; A63B 37/14; A63B 39/00; A63B 39/06; A63B 2039/003; A63B 43/00; A63B 43/002; A63B 43/007; A63B 43/008; A63B 43/02; A63B 2043/001; A63B 59/20; A63B 2208/12; A63H 33/00; A63H 33/006; A63H 33/18  
See application file for complete search history.

4,071,237 A \* 1/1978 Hoogasian ..... A63F 7/382 273/440

4,127,268 A \* 11/1978 Lindgren ..... A63B 43/007 29/432

4,321,888 A \* 3/1982 Topliffe ..... A01K 15/025 119/709

4,991,841 A \* 2/1991 Paranto ..... A63B 43/00 446/490

5,551,687 A \* 9/1996 Krull ..... A63B 43/007 446/85

5,961,406 A \* 10/1999 Hass ..... A01K 15/025 119/707

D455,182 S \* 4/2002 Chu ..... D21/398

D500,901 S \* 1/2005 Crane ..... D30/160

D536,754 S \* 2/2007 Chernick ..... D21/398

D583,421 S \* 12/2008 Slinker ..... D21/398

D601,761 S \* 10/2009 Lamstein ..... D30/160

D625,474 S \* 10/2010 Byrne ..... D30/160

(Continued)

**FOREIGN PATENT DOCUMENTS**

CN 301145513 \* 2/2010

JP D1226763 \* 1/2005

*Primary Examiner* — Catherine Tuttle  
(74) *Attorney, Agent, or Firm* — Tope-McKay & Associates

(57) **CLAIM**

The ornamental design for a ball, as shown and described.

**DESCRIPTION**

FIG. 1 is a perspective view of a ball in accordance with the new design;

FIG. 2 is a front elevation view thereof; the rear elevation view being a mirror image;

FIG. 3 is a left side elevation view thereof; the right side elevation view being a mirror image; and,

FIG. 4 is a top plan view thereof; the bottom plan view being a mirror image.

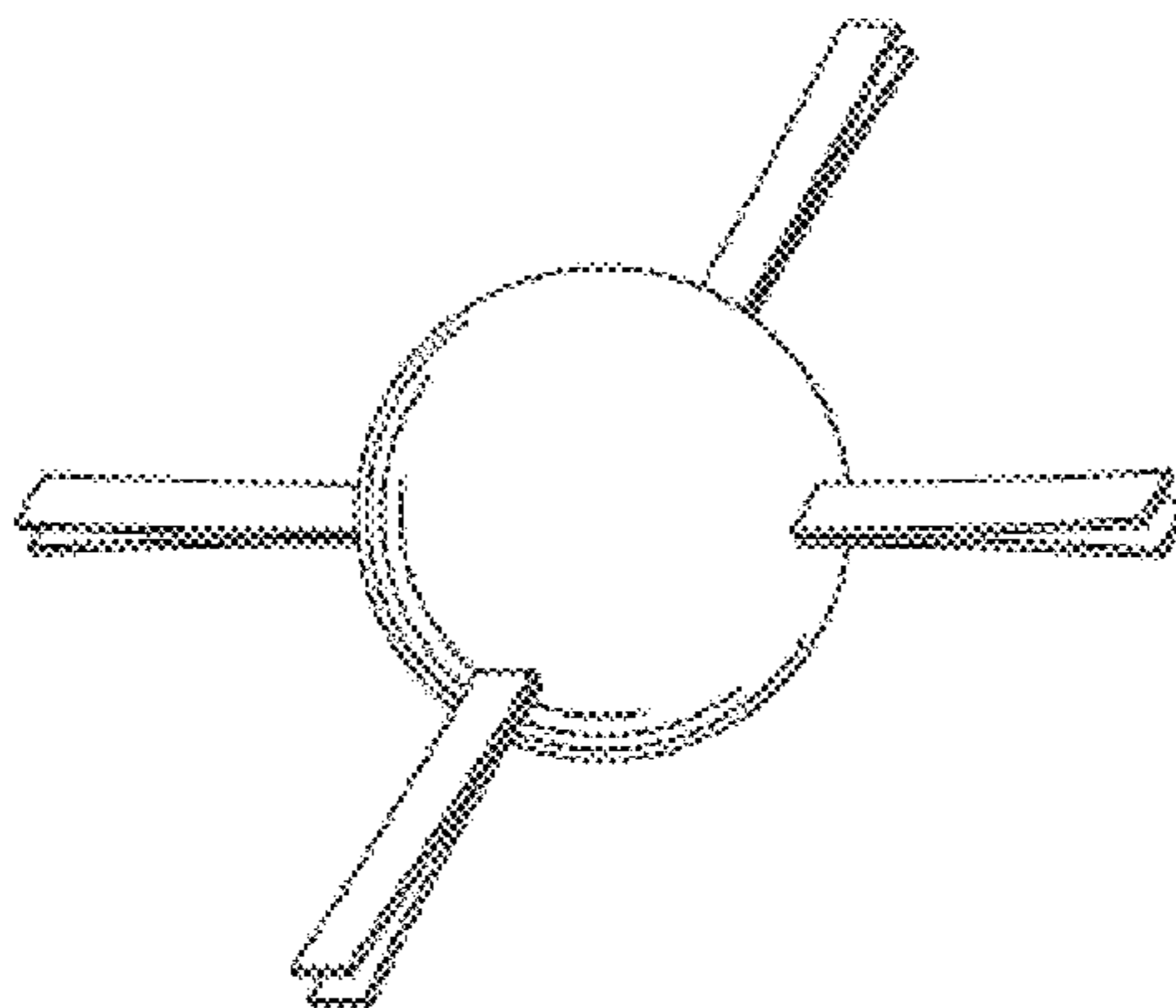
**1 Claim, 4 Drawing Sheets**

(56) **References Cited**

**U.S. PATENT DOCUMENTS**

2,979,858 A \* 4/1961 Holman, Jr. .... A63B 43/007 446/215

D200,618 S \* 3/1965 Proctor ..... D24/194



(56)

**References Cited**

U.S. PATENT DOCUMENTS

2005/0170742 A1\* 8/2005 Oestreicher ..... A63H 33/006  
446/227  
2011/0017148 A1\* 1/2011 Tsengas ..... A01K 15/025  
119/707

\* cited by examiner

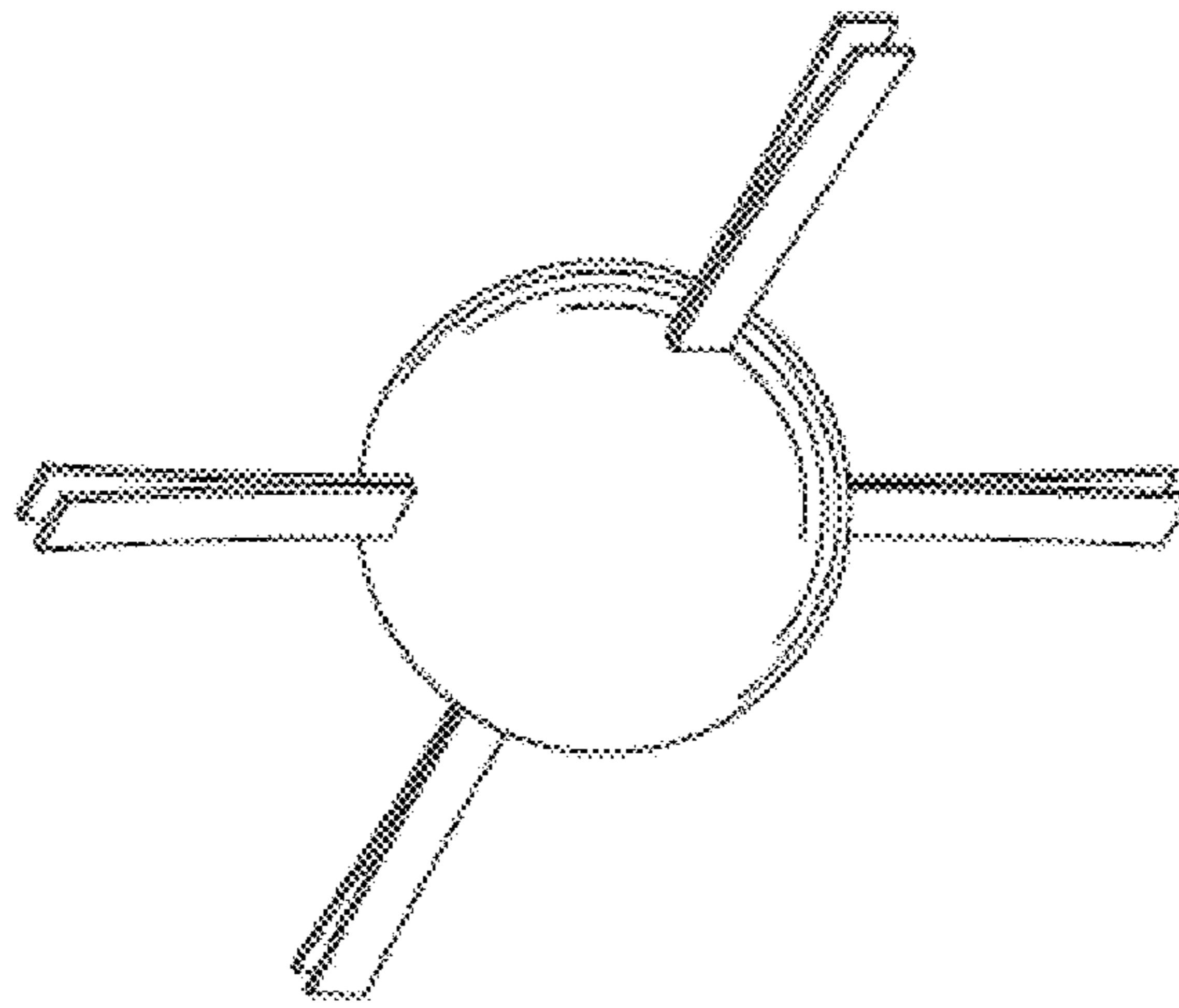


Fig. 1

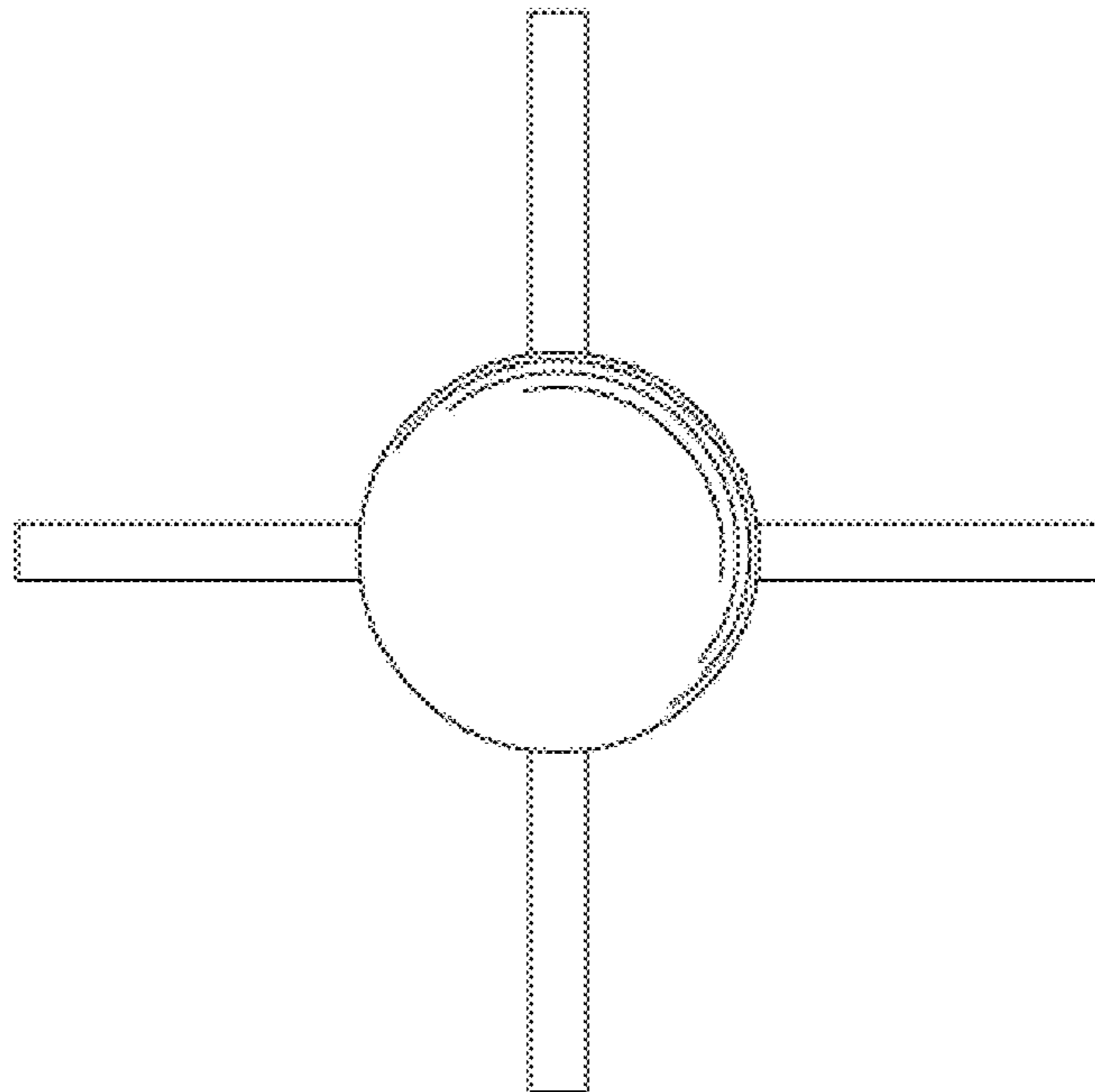


Fig. 2

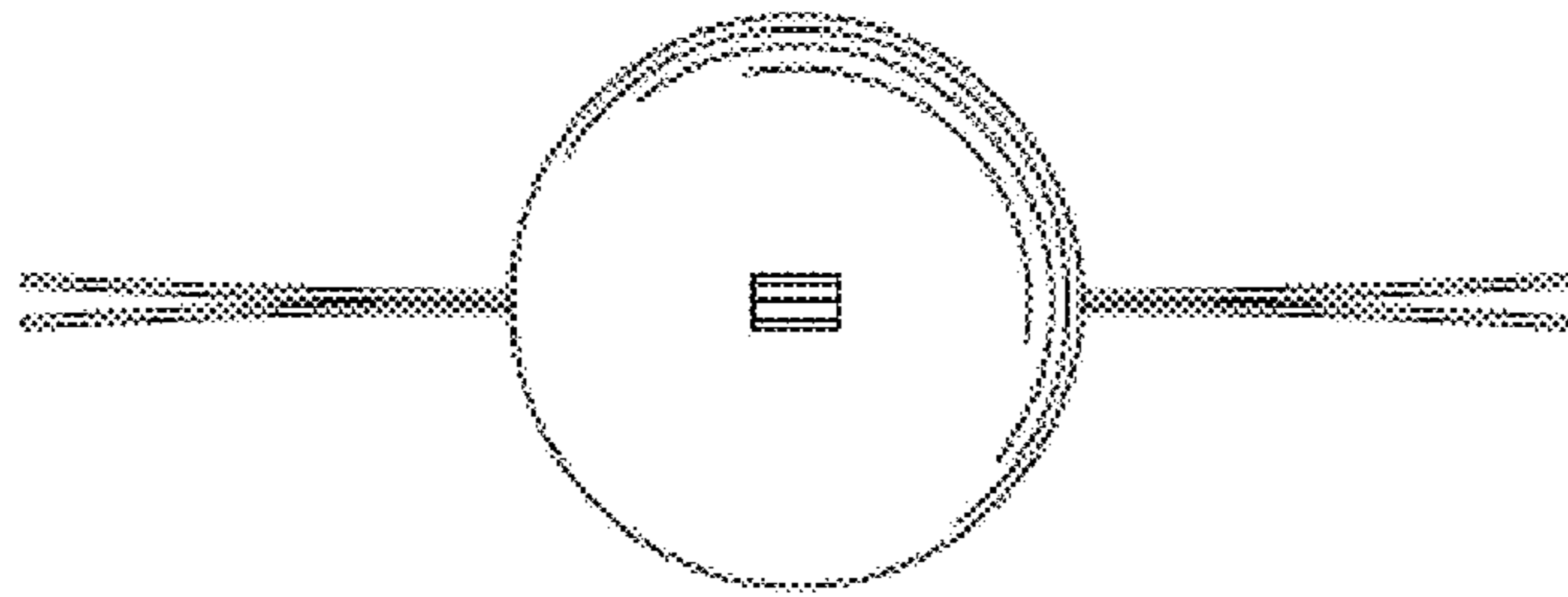


Fig. 3

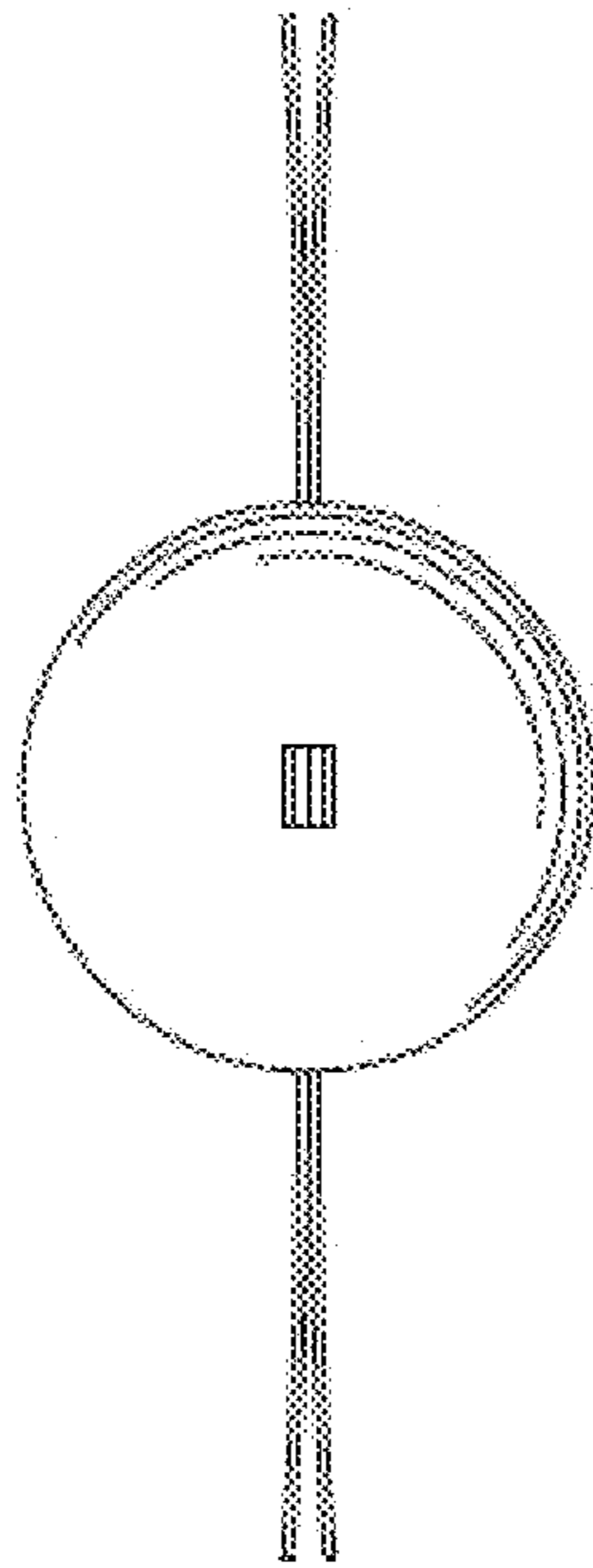


Fig. 4