



US00D779603S

(12) **United States Design Patent**
Saenz

(10) **Patent No.:** **US D779,603 S**

(45) **Date of Patent:** **** Feb. 21, 2017**

(54) **SLIDING AND ROTATING BALL**

(71) Applicant: **Fernando Saenz**, Bethania Calle (PA)

(72) Inventor: **Fernando Saenz**, Bethania Calle (PA)

(**) Term: **14 Years**

(21) Appl. No.: **29/514,727**

(22) Filed: **Jan. 15, 2015**

(51) **LOC (10) Cl.** **21-02**

(52) **U.S. Cl.**

USPC **D21/707; D21/710**

(58) **Field of Classification Search**

USPC D21/386, 387, 390, 398, 443, 487, 488,
D21/662, 680, 698, 707, 708, 710, 753,
D21/779, 780, 789, 791, 794, 799.1, 800;
D30/160; D28/8.1; D24/100-104

CPC A63B 37/007; A63B 37/10; A63B 43/00;
A63B 43/002; A63B 43/04; A63B 43/06;
A63B 2043/001; A63B 65/06; A63B
65/10; A63B 67/14; A63B
2067/146; A63B 69/0024; A63B 69/0026;
A63B 69/3655; A63B 69/3688; A63F
2003/00703; A63F 2003/00738; A63F
2003/00757; A63F 2003/0076; A63F
2003/00794; A63F 2003/00801; A63F
7/40; A63F 7/4006; A63F 7/4012; A63F
7/4018; A63F 7/4025; A63F
7/4031; A63F 7/4037; A63F
7/4043; A63F 7/405; A63F 7/4056; A63F
7/4062; A63F 7/4068; A63F
7/4075; A63F 7/4081; A63F
7/0632; A63F 7/0636; A63F
7/0668; A63F 7/07

See application file for complete search history.

(56) **References Cited**

U.S. PATENT DOCUMENTS

2,454,492 A * 11/1948 Turnbull A63B 67/14
473/587
2,494,929 A * 1/1950 Colaluca A63B 67/14
473/588

D158,935 S * 6/1950 Correale 273/288
2,517,460 A * 8/1950 Arnn A63F 7/0668
273/108.4
2,812,184 A * 11/1957 McGee A63B 67/14
473/280
4,616,827 A * 10/1986 Bergland A63B 43/002
273/DIG. 8
4,641,839 A * 2/1987 Turner A63B 43/00
273/118 R
D364,663 S * 11/1995 Engel D21/707
5,465,966 A * 11/1995 La Savio A63B 67/14
473/588
D384,718 S * 10/1997 Lee D21/779
D418,559 S * 1/2000 Cousins D21/680

(Continued)

FOREIGN PATENT DOCUMENTS

FR 2561531 A1 * 9/1985 A63B 43/002
FR 2636539 A1 * 3/1990 A63B 65/10

(Continued)

Primary Examiner — Catherine Tuttle

(74) *Attorney, Agent, or Firm* — Brian S. Steinberger;
Law Offices of Brian S. Steinberger, P.A.

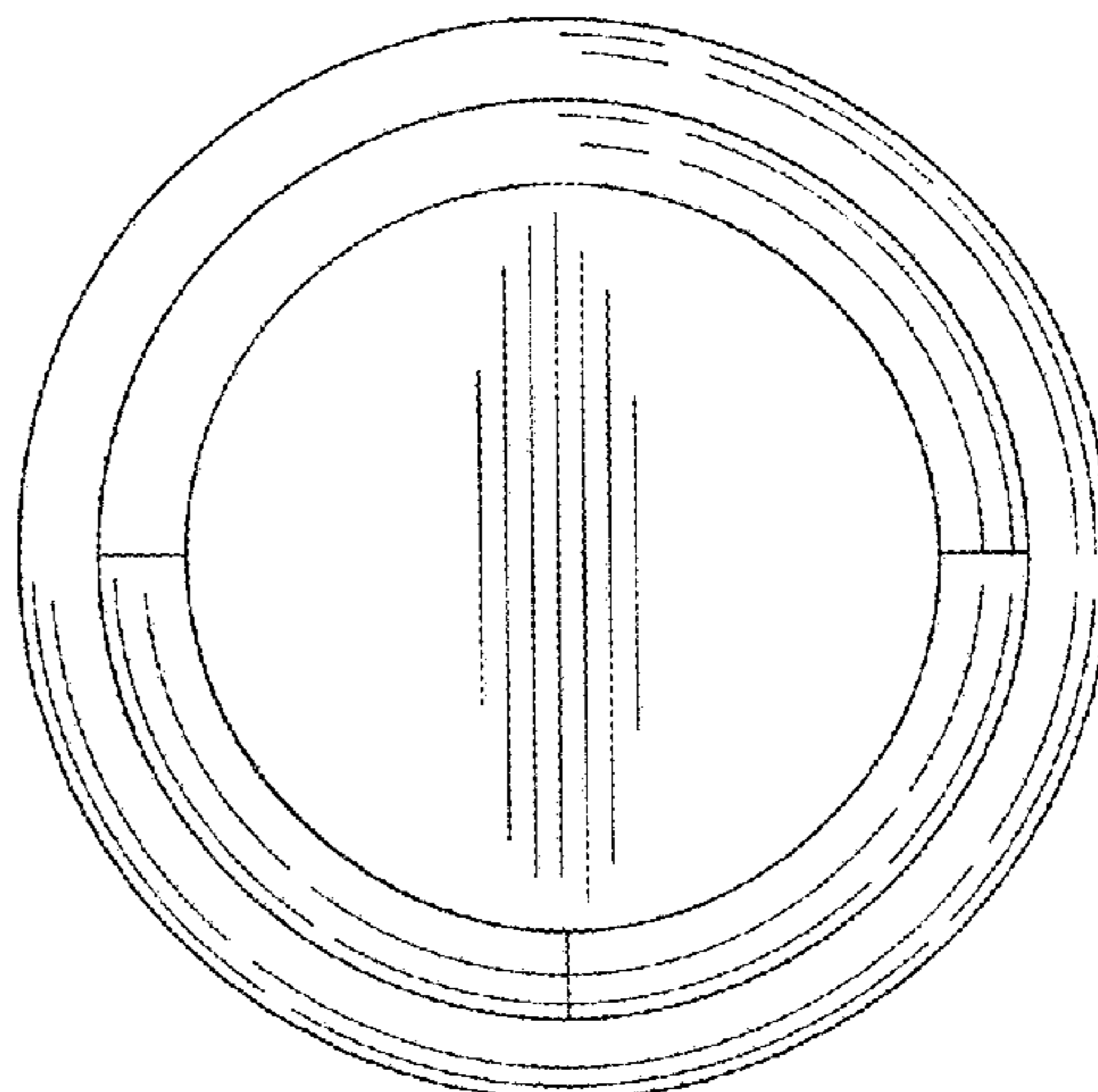
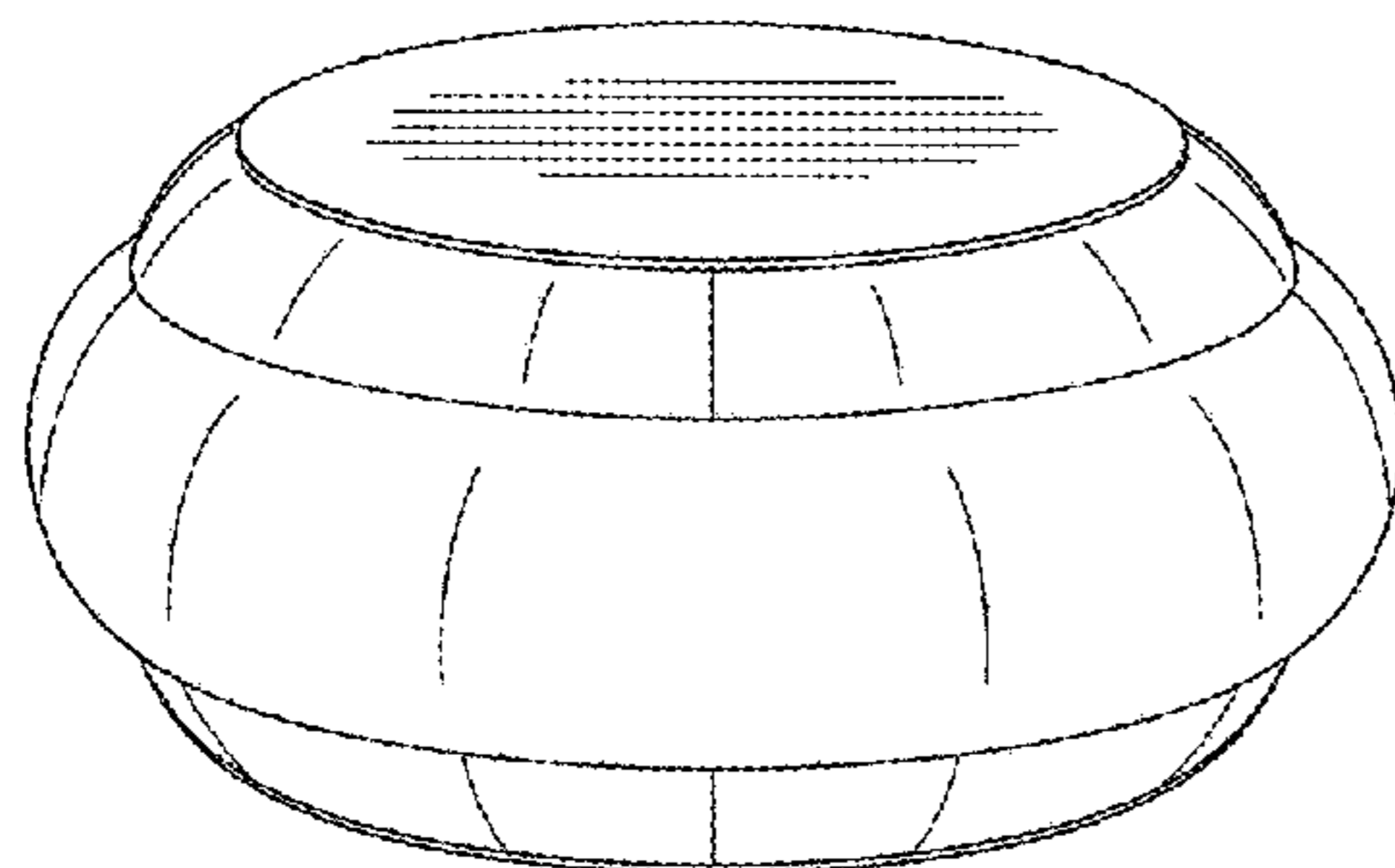
(57) **CLAIM**

The ornamental design for a sliding and rotating ball, as shown and described.

DESCRIPTION

FIG. 1 is an upper front perspective view of the sliding and rotating ball showing my new design.
FIG. 2 is a lower front perspective view thereof.
FIG. 3 is a front side view thereof.
FIG. 4 is a rear side view thereof.
FIG. 5 is a right side view thereof.
FIG. 6 is a left side view thereof.
FIG. 7 is a top view thereof; and,
FIG. 8 is a bottom view thereof.

1 Claim, 5 Drawing Sheets



(56)

References Cited

U.S. PATENT DOCUMENTS

D494,235 S * 8/2004 Edwards D21/710
D692,973 S * 11/2013 Kim D21/709
8,708,843 B1 * 4/2014 Sekac A63B 37/12
473/422
D711,987 S * 8/2014 Nagi D21/707
2003/0119613 A1 * 6/2003 Samuel A63B 43/00
473/588
2005/0192130 A1 * 9/2005 Edwards A63B 67/14
473/588
2006/0276278 A1 * 12/2006 Trowers A63B 43/002
473/595

FOREIGN PATENT DOCUMENTS

FR 2899120 A1 * 10/2007 A63B 65/10
KR 20030072296 A * 9/2003 A63B 69/3688
WO WO 2008112204 A2 * 9/2008 A63F 7/06

* cited by examiner

FIG. 1

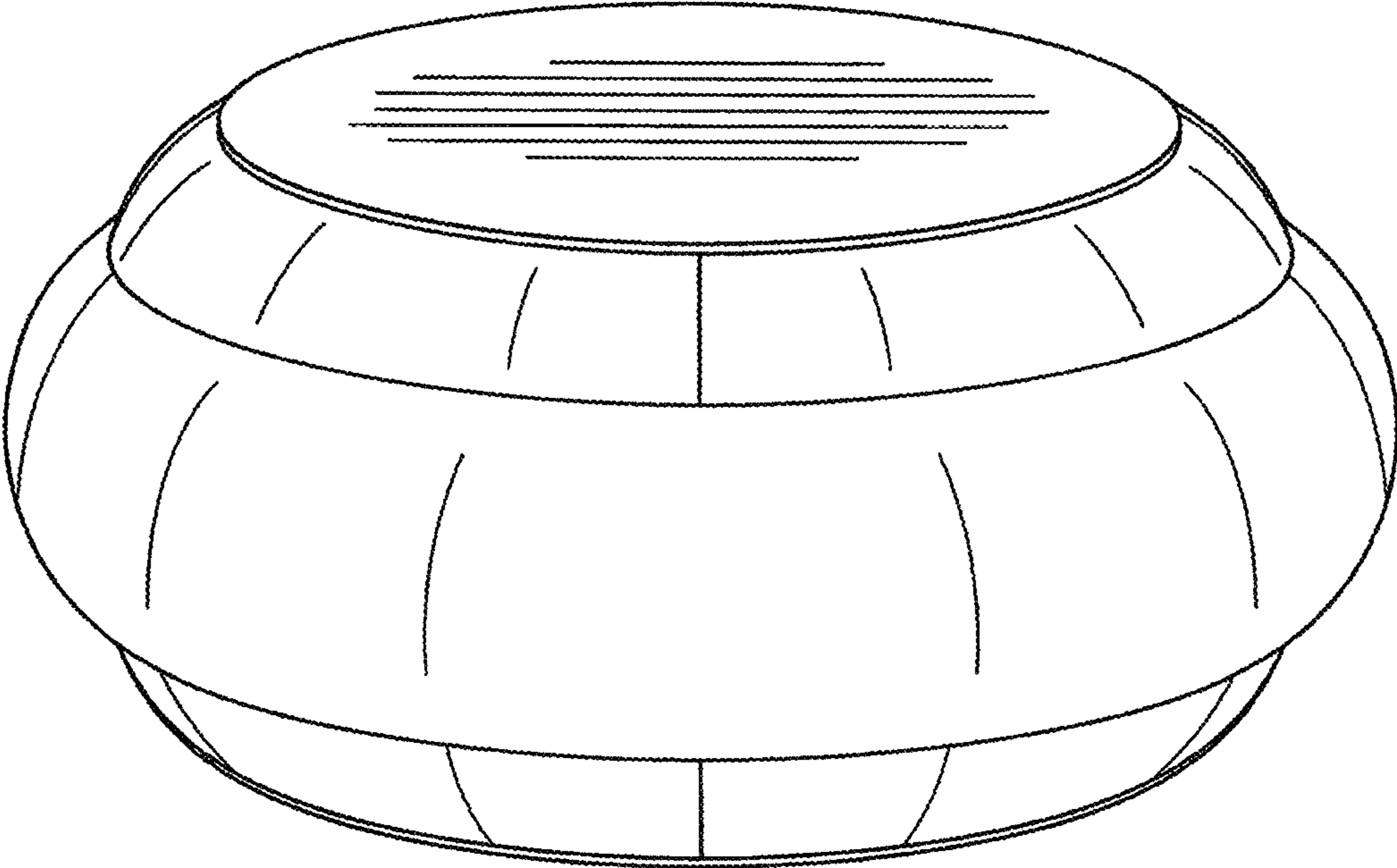


FIG. 2

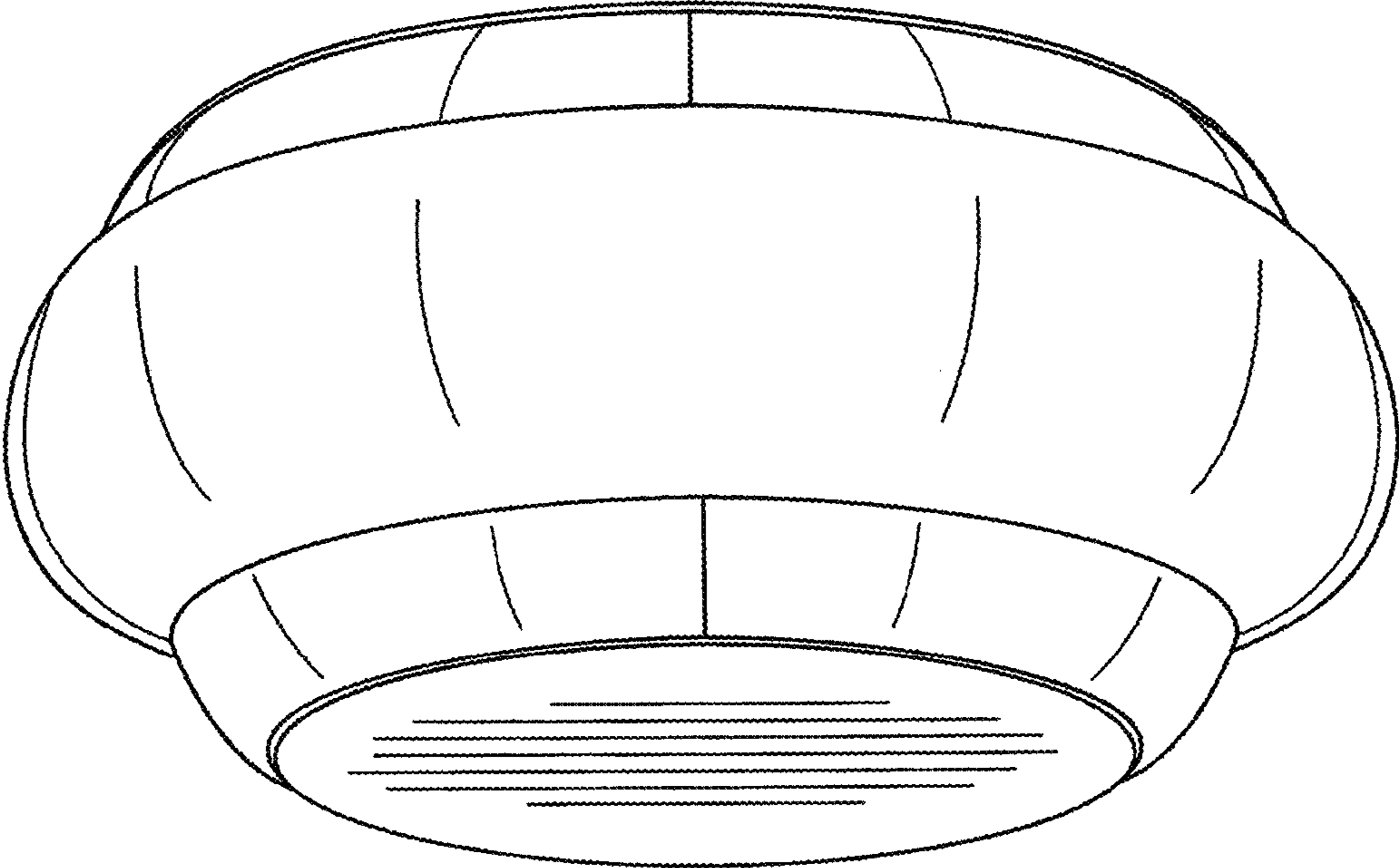


FIG. 3

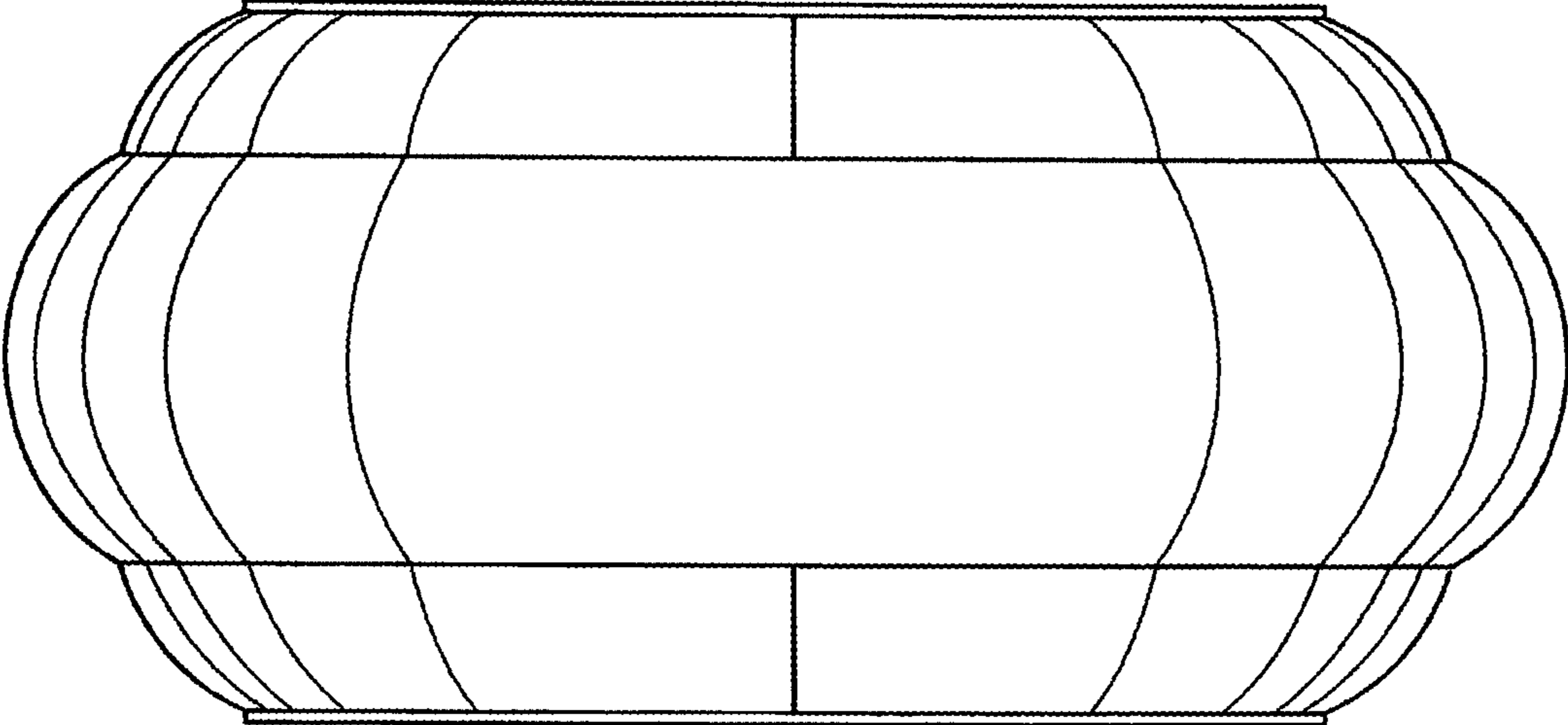


FIG. 4

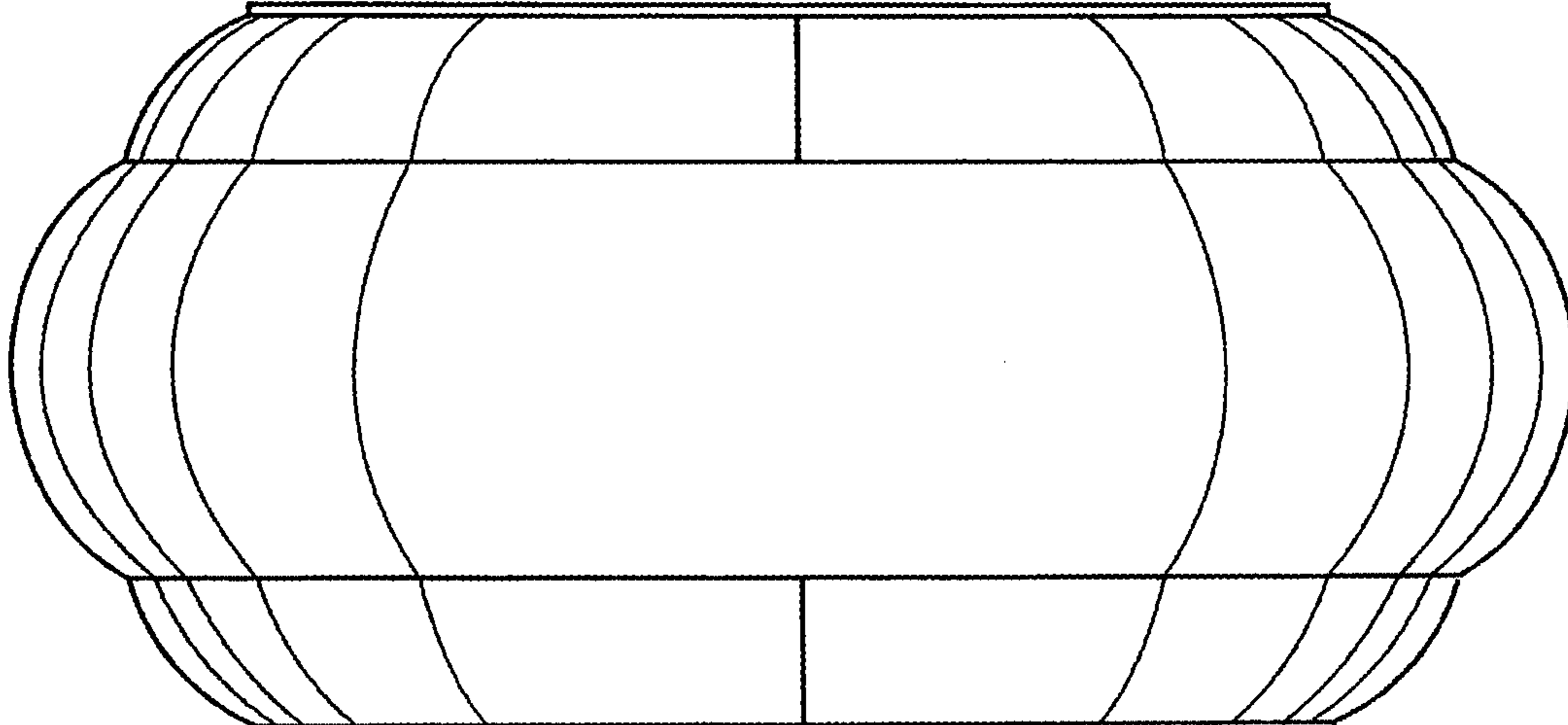


FIG. 5

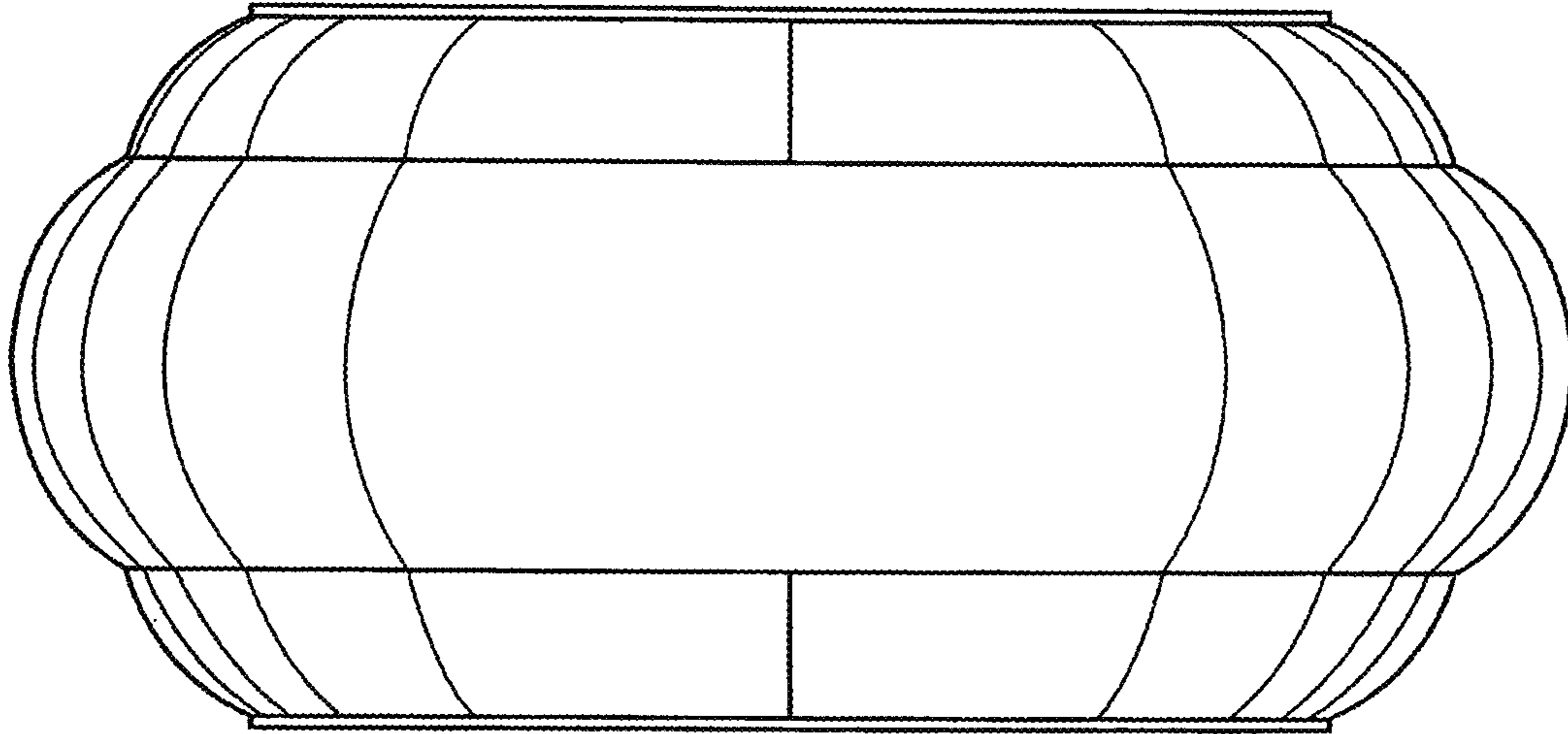


FIG. 6

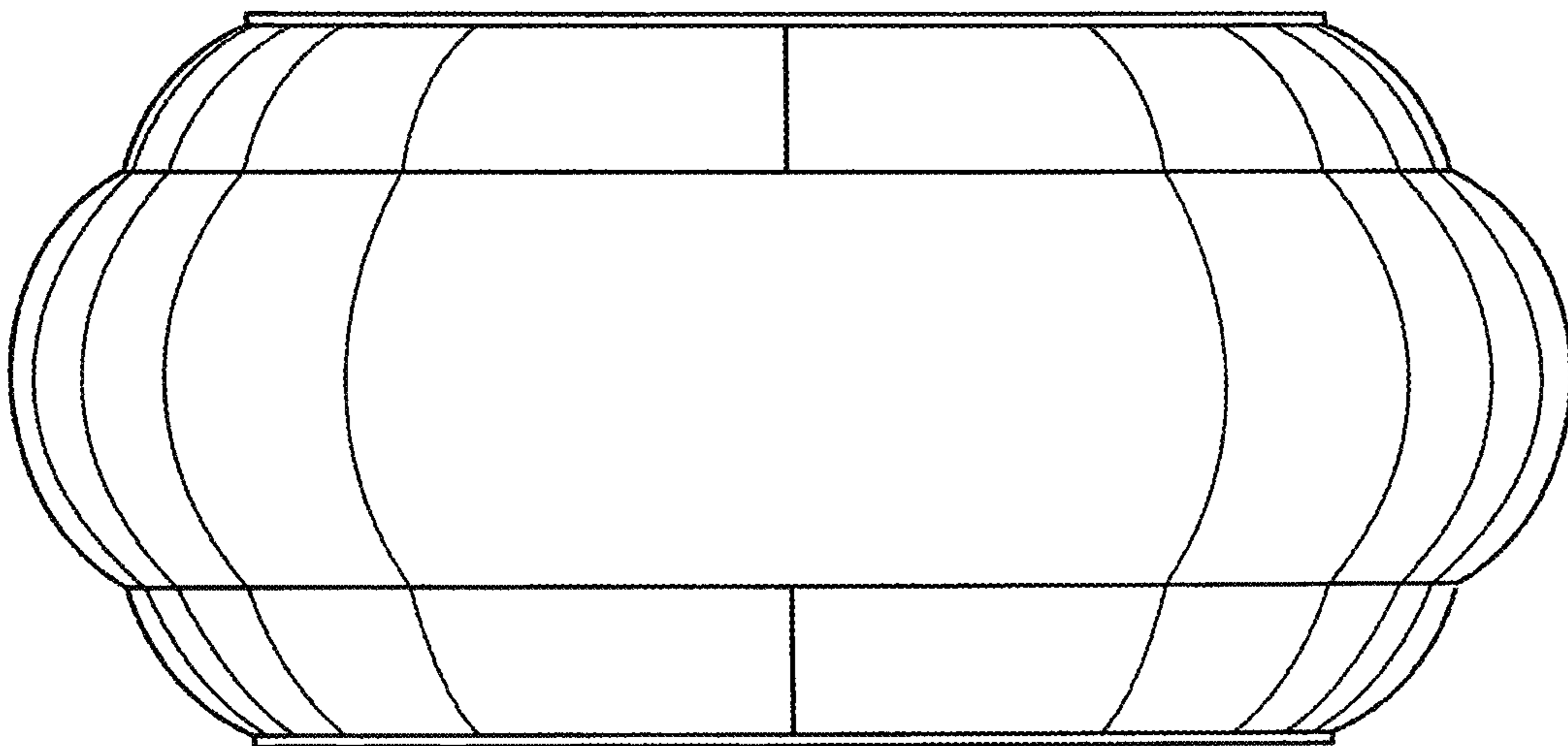


FIG. 7

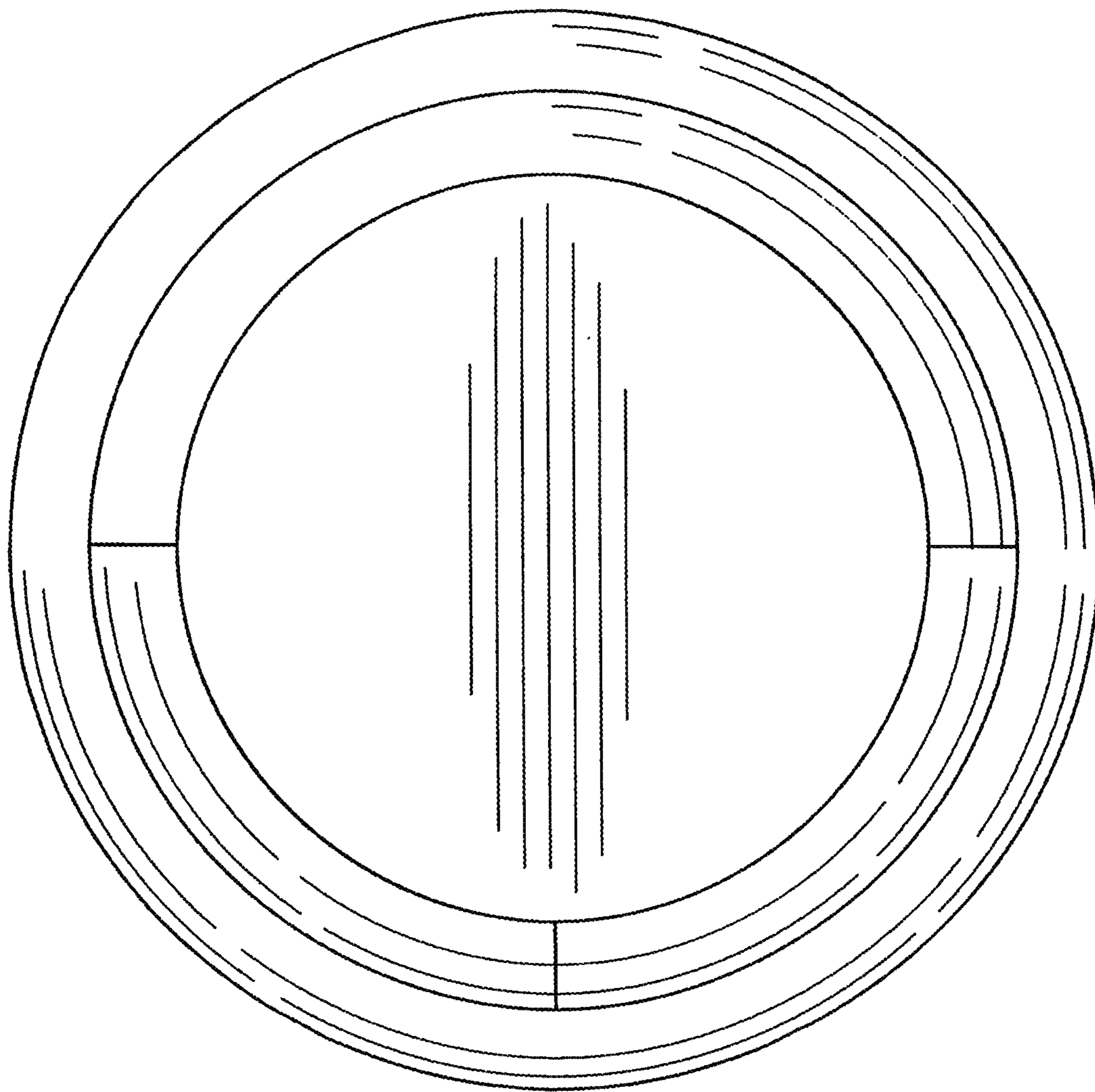


FIG. 8

