



US00D779602S

(12) **United States Design Patent**
Hochberg

(10) **Patent No.:** **US D779,602 S**

(45) **Date of Patent:** **** Feb. 21, 2017**

- (54) **SOCCER TRAINER**
- (71) Applicant: **Franklin Sports, Inc.**, Stoughton, MA (US)
- (72) Inventor: **Seth Hochberg**, Walpole, MA (US)
- (73) Assignee: **FRANKLIN SPORTS, INC.**, Stoughton, MA (US)
- (**) Term: **15 Years**
- (21) Appl. No.: **29/544,593**
- (22) Filed: **Nov. 4, 2015**
- (51) **LOC (10) Cl.** **21-02**
- (52) **U.S. Cl.**
USPC **D21/705**
- (58) **Field of Classification Search**
USPC D21/302, 303, 305, 306, 698, 699, 704, D21/705, 780, 788, 790, 791
CPC A63B 63/00; A63B 63/003; A63B 63/004; A63B 63/007; A63B 63/008; A63B 63/08; A63B 2063/001; A63B 2063/002; A63B 2063/005; A63B 2063/006; A63B 67/02; A63B 2067/025; A63B 69/00; A63B 2069/0002; A63B 2069/0004; A63B 2069/0006; A63B 2069/0008; A63B 69/002; A63B 69/0024; A63B 69/0026; A63B 69/0097; A63B 69/34; A63B 69/345; A63B 69/36; A63B 69/3617; A63B 69/3623; A63B 69/3652; A63B 69/3691; A63B 69/3694; A63B 71/022; A63B 2243/007
See application file for complete search history.

- 3,049,353 A * 8/1962 Viator A63B 63/00 473/194
- D222,978 S * 2/1972 Vinas 273/400
- 3,758,116 A * 9/1973 Pieronek A63B 63/00 273/400
- 4,046,376 A * 9/1977 Harvey A63D 5/00 473/112
- 4,264,070 A * 4/1981 Torres A63B 69/0097 273/127 C
- 4,286,786 A * 9/1981 Papadopoulos A63B 63/004 273/348
- 4,417,728 A * 11/1983 Hay A63B 63/00 273/342
- 5,165,690 A * 11/1992 Kelley, Jr. A63B 63/007 472/88
- D356,841 S * 3/1995 Temple D21/705
- 5,558,338 A * 9/1996 Taub A63B 69/0071 473/416
- D380,797 S * 7/1997 Schwan D21/699
- 5,863,266 A * 1/1999 Starnes A63B 24/0021 273/400

(Continued)

Primary Examiner — Catherine Tuttle
(74) *Attorney, Agent, or Firm* — Joseph B Bowman

(57) **CLAIM**

The ornamental design for a soccer trainer, as shown and described.

DESCRIPTION

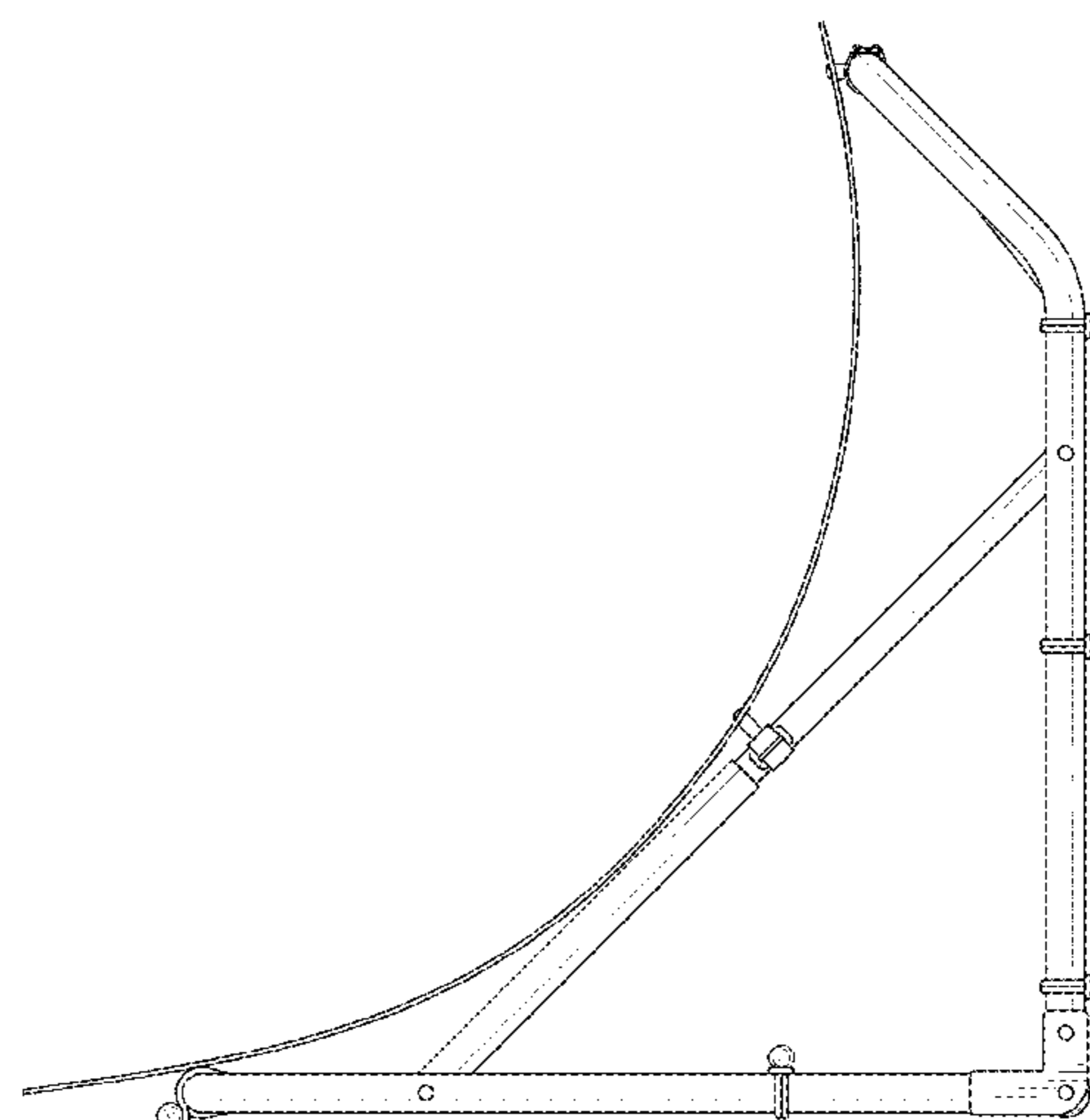
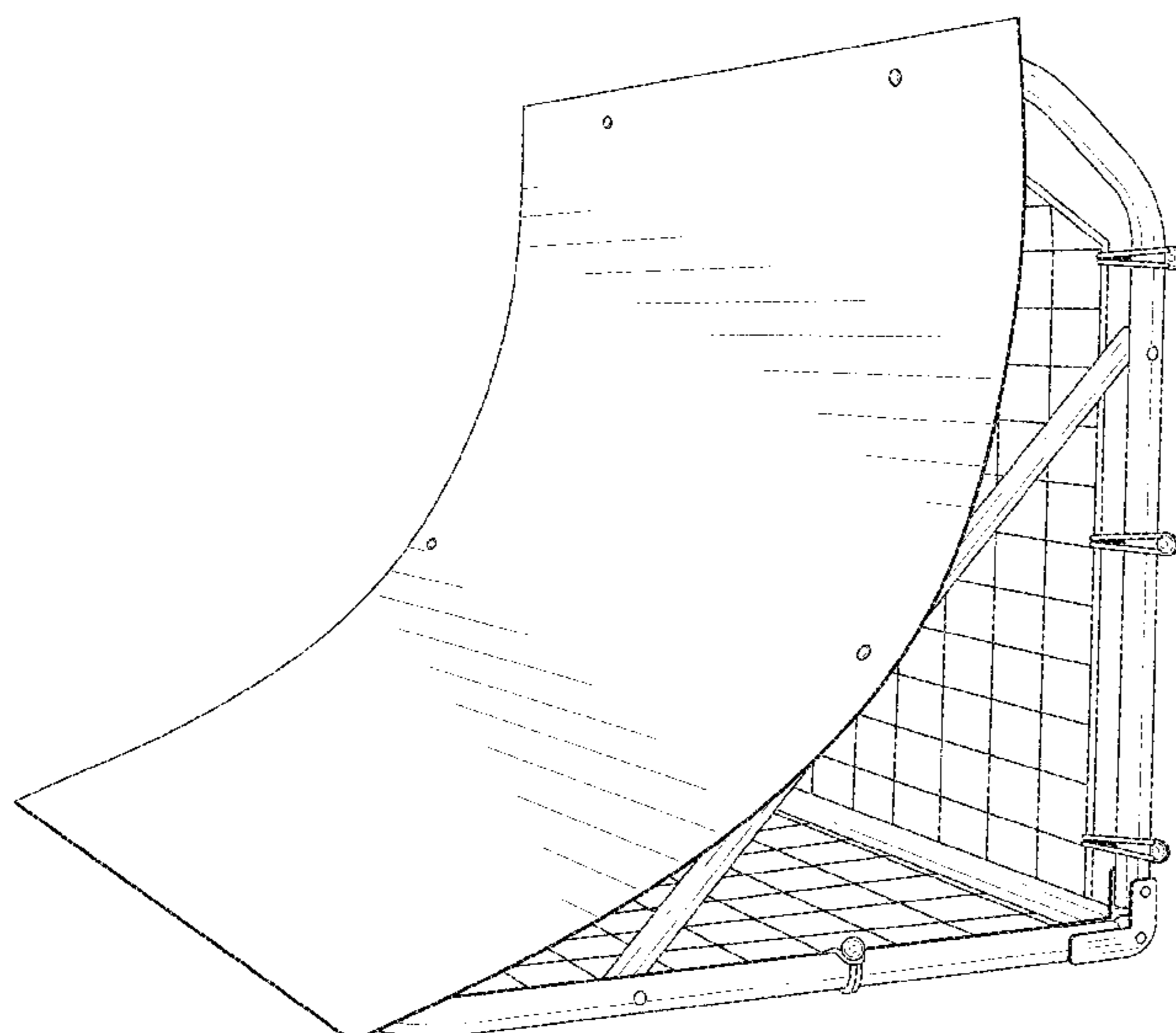
FIG. 1 is a perspective view of a soccer trainer showing of my new design;
FIG. 2 is a front elevational view thereof;
FIG. 3 is a rear elevational view thereof;
FIG. 4 is a top plan view thereof;
FIG. 5 is a bottom plan view thereof;
FIG. 6 is a right side elevational view thereof; and,
FIG. 7 is a left side elevational view thereof.

1 Claim, 7 Drawing Sheets

(56) **References Cited**

U.S. PATENT DOCUMENTS

- 1,689,475 A * 10/1928 Brumder A63B 57/40 473/184
- 3,001,795 A * 9/1961 Johnson, Jr. A63B 63/00 473/197



(56)

References Cited

U.S. PATENT DOCUMENTS

6,149,152	A	11/2000	Mancke	
D585,949	S *	2/2009	Gaudin	D21/705
7,597,558	B2	10/2009	Mazloompour	
7,704,169	B1 *	4/2010	Bove	A63B 63/007 473/426
D628,252	S *	11/2010	Forrest, Sr.	D21/705
8,216,083	B1	7/2012	Masucci	
8,647,221	B1	2/2014	Hochberg	
2002/0128092	A1 *	9/2002	Bolin	A63B 24/0021 473/439
2006/0121429	A1 *	6/2006	Mazloompour ...	A63B 69/0097 434/247
2007/0123369	A1 *	5/2007	Cherry	A63B 69/40 473/451

* cited by examiner

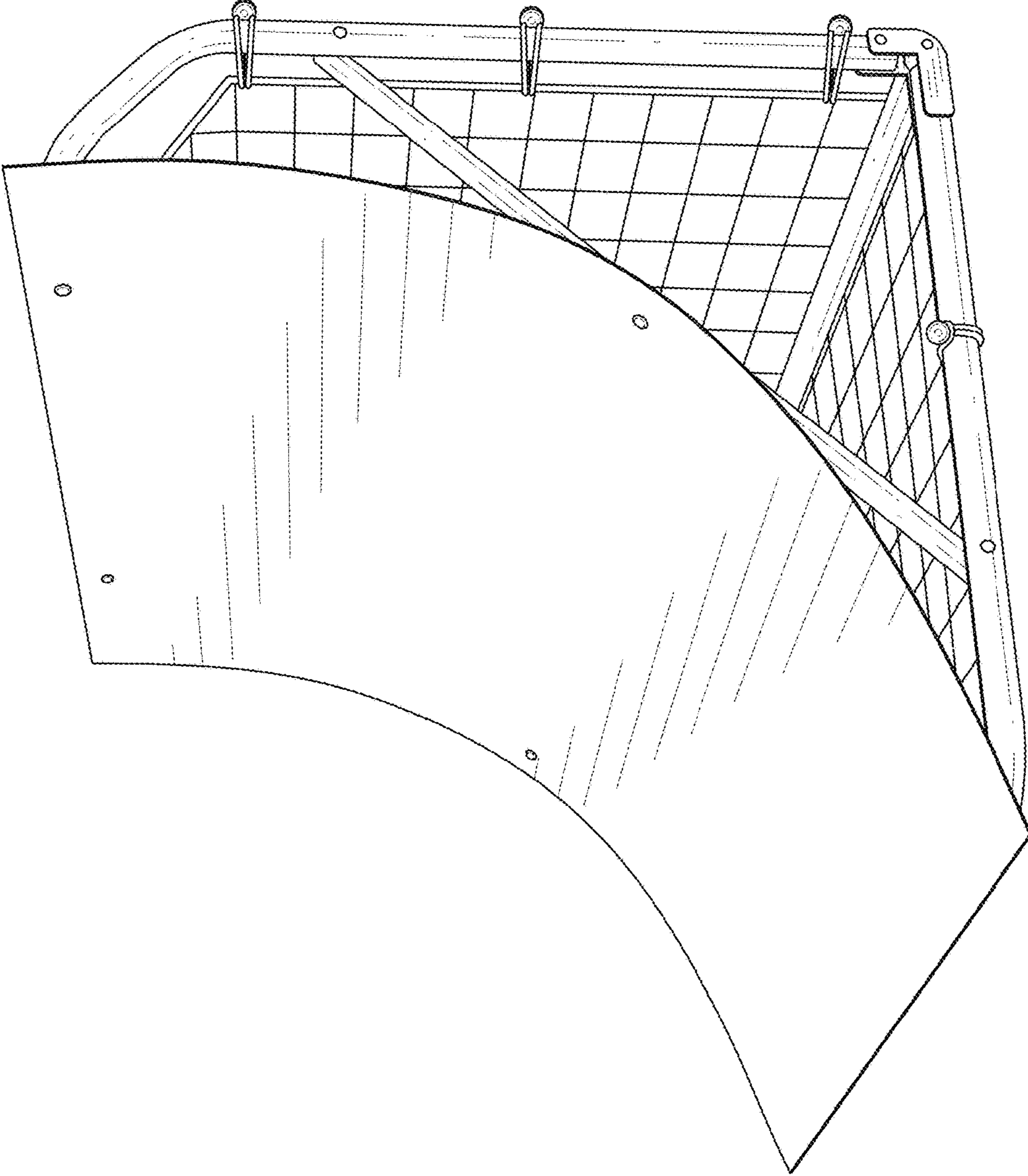


FIG. 1

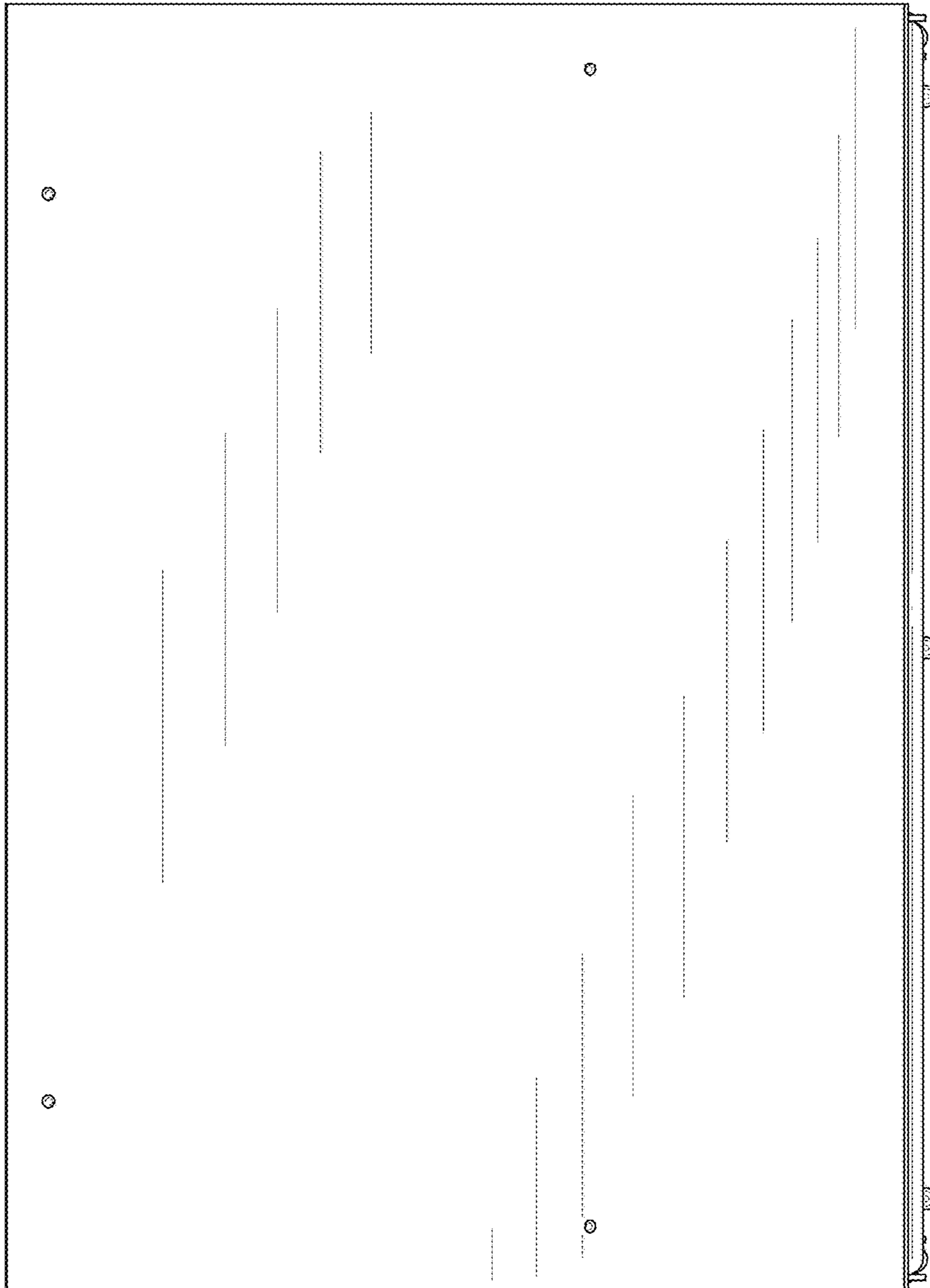


FIG. 2

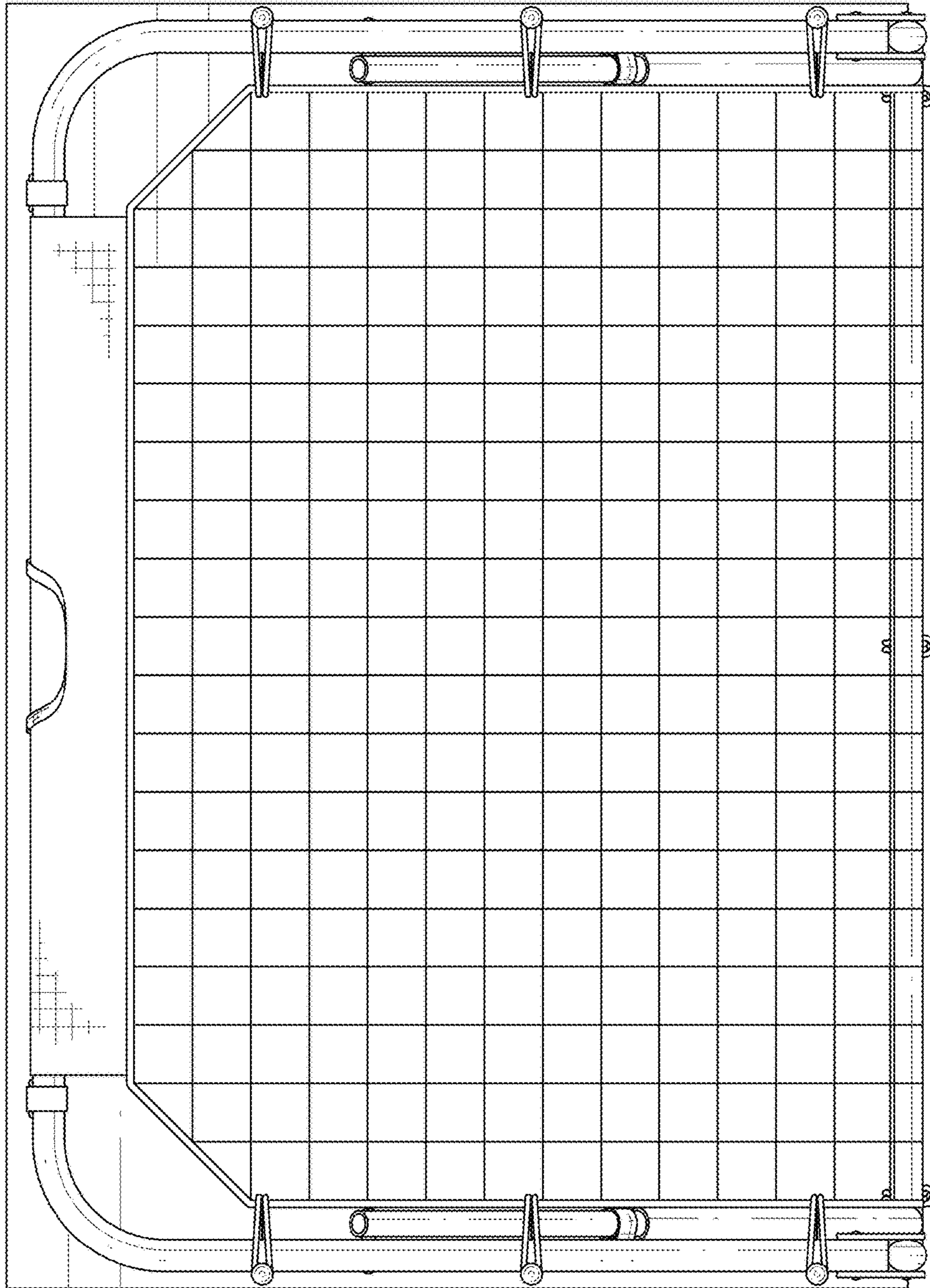


FIG. 3

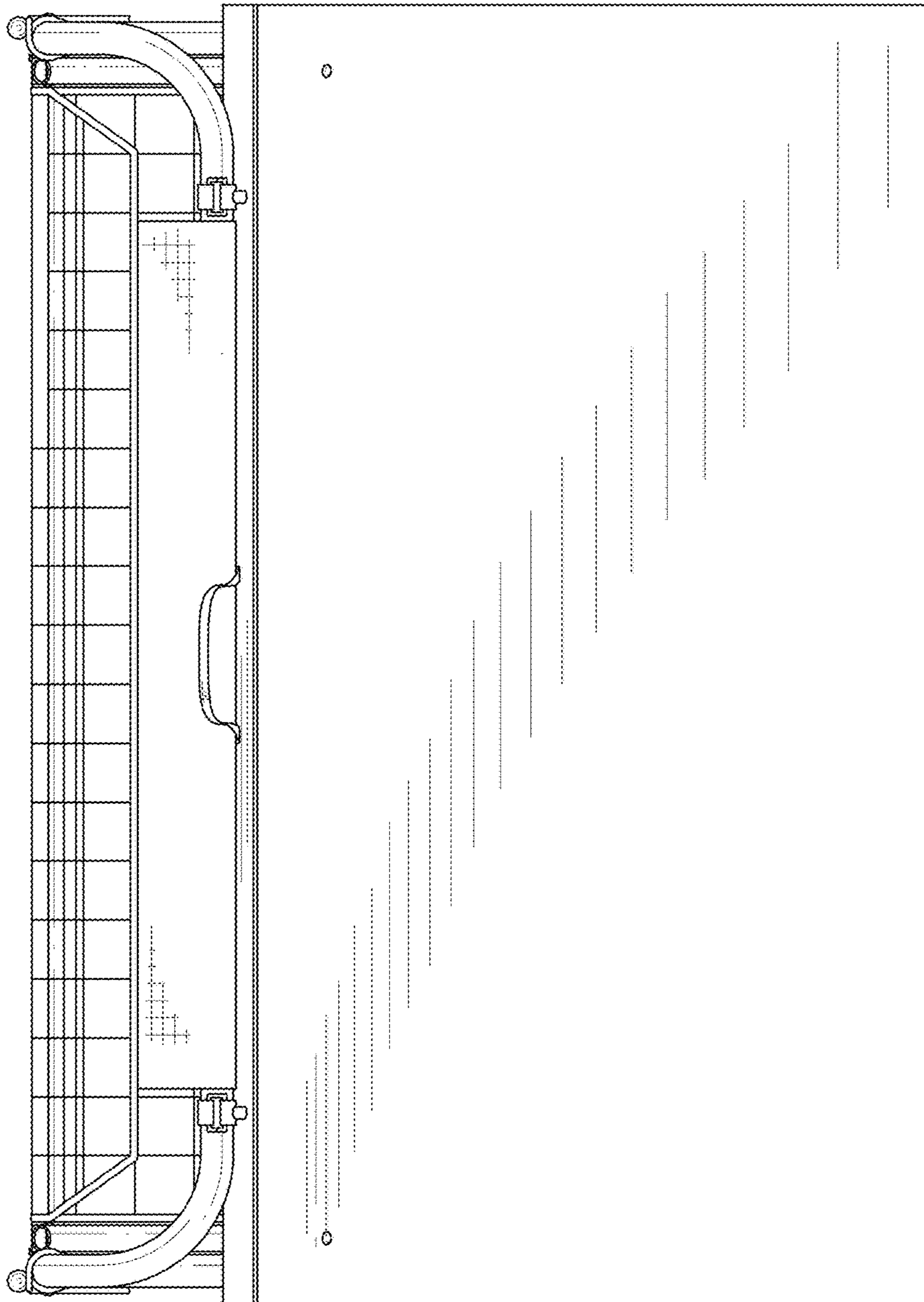


FIG. 4

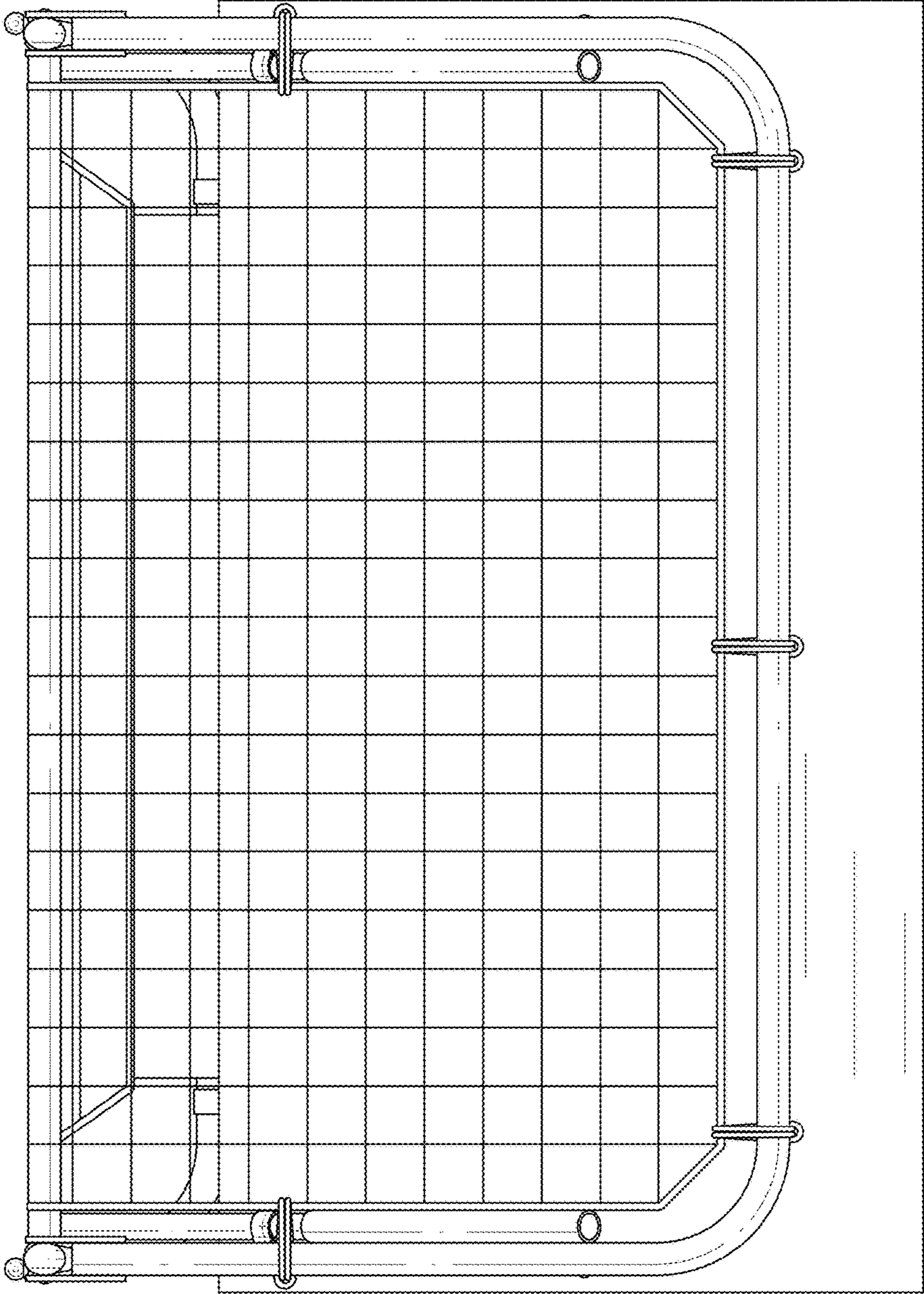


FIG. 5

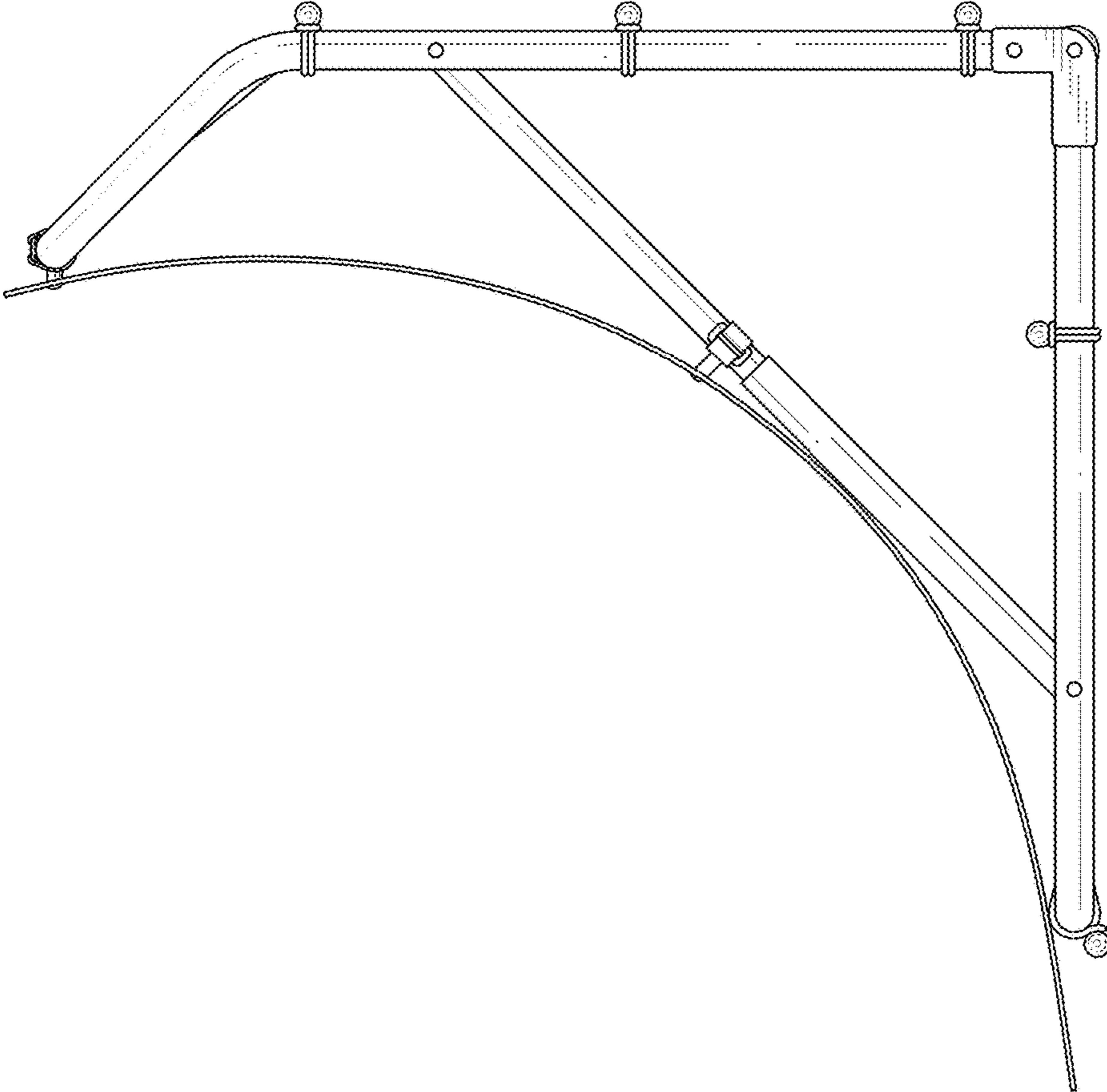


FIG. 6

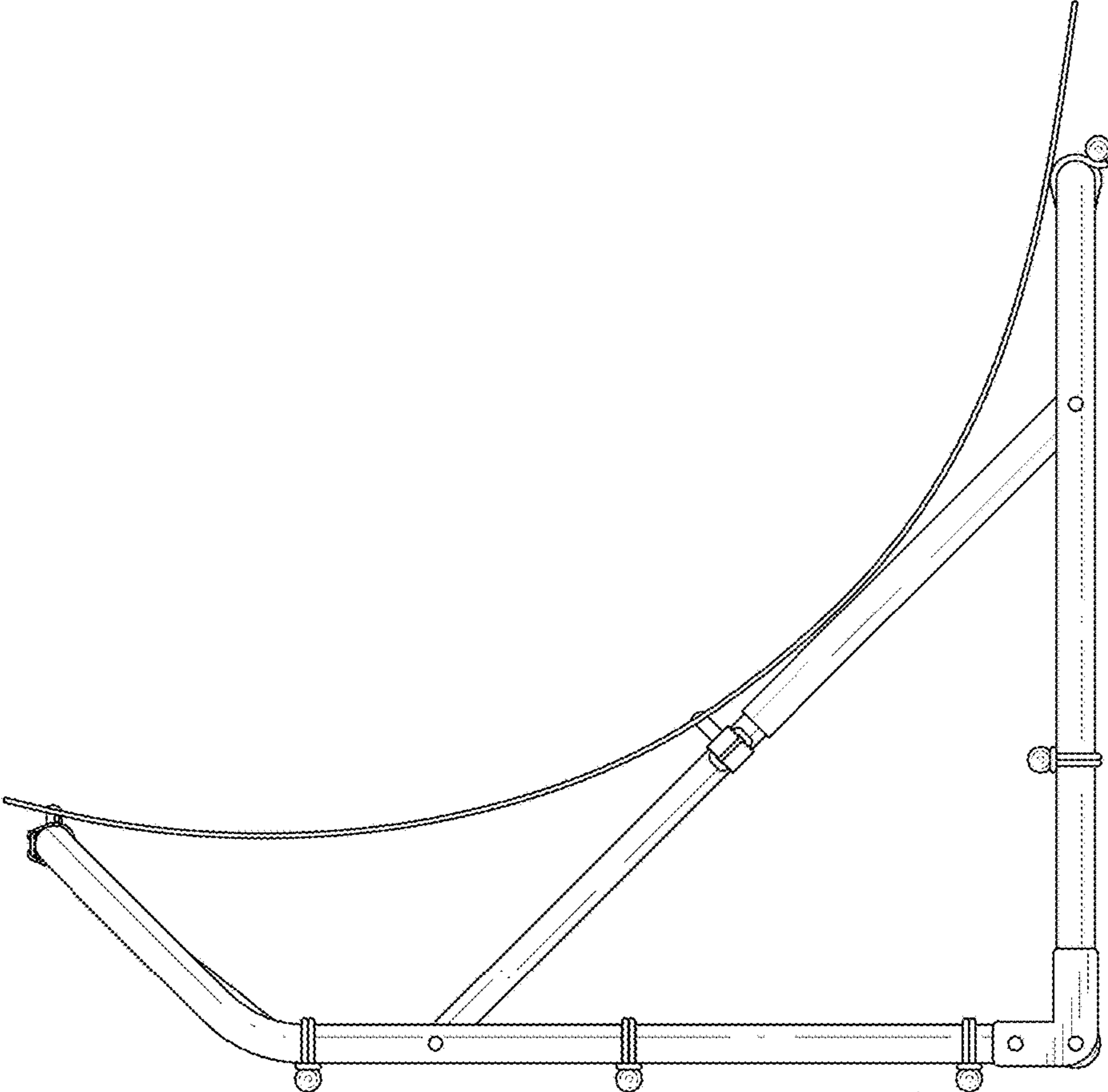


FIG. 7