



US00D779601S

(12) **United States Design Patent** (10) **Patent No.:** **US D779,601 S**  
**Scholder** (45) **Date of Patent:** **\*\* Feb. 21, 2017**

(54) **YOGA BLOCK**

(71) Applicant: **Jason Scholder**, Asheville, NC (US)

(72) Inventor: **Jason Scholder**, Asheville, NC (US)

(\*\*) Term: **15 Years**

(21) Appl. No.: **29/538,093**

(22) Filed: **Sep. 1, 2015**

**Related U.S. Application Data**

(63) Continuation of application No. 13/358,139, filed on Jan. 25, 2012, now abandoned.

(51) **LOC (10) Cl.** ..... **21-02**

(52) **U.S. Cl.**  
USPC ..... **D21/686**

(58) **Field of Classification Search**  
USPC ..... D21/664, 673, 688, 662, 699, 705, 668, D21/769, 690, 788, 698, 534, 669, 302, D21/691, 681, 682, 800, 694, 686, 702, D21/676, 684, 775, 777, 692, 672; 482/122, 142, 123, 129, 128, 93, 106, 74, 482/121, 130, 71, 72, 95, 96, 68, 66, 41, 482/141, 100, 115, 49, 146, 147, 42, 51, 482/35, 38, 23, 904, 91, 28, 140, 907, 86, 482/83, 87, 90, 131, 902, 61, 65, 17, 52, 482/62, 107, 108, 54, 105, 133, 148, 92, 482/138, 12; 473/432, 445, 441, 197, 434, 473/438, 454, 478, 447, 422, 476; D12/317, 9, 6, 8, 130, 115, 114; 273/400, 273/407, 396; D8/303, 499, 107, 14; D11/87, 86, 80, 103, 2, 56, 93, 13; 16/430, 421; D26/49, 37; D24/107; 74/551.9; 59/82, 80; 24/658, 303  
CPC ..... A63B 21/0552; A63B 21/00069; A63B 21/4035; A63B 21/0557; A63B 21/0442; A63B 2208/0204; A63B 21/4043; A63B 23/12; A63B 21/0004  
See application file for complete search history.

(56) **References Cited**

U.S. PATENT DOCUMENTS

D288,984	S	*	3/1987	Scheurer	.....	D3/211
D311,295	S	*	10/1990	Roberts	.....	D6/601
D316,616	S	*	4/1991	Leslie	.....	D24/101
D341,567	S	*	11/1993	Acker	.....	D13/110
5,284,659	A	*	2/1994	Cherukuri	.....	A23G 3/2061
						424/435
D423,141	S	*	4/2000	Binstock	.....	D28/8.1
D428,668	S	*	7/2000	Binstock	.....	D28/8.1
D432,641	S	*	10/2000	Burrows	.....	D24/101
D450,883	S	*	11/2001	Buter	.....	D1/127
D475,451	S	*	6/2003	Bell	.....	D24/101
D475,452	S	*	6/2003	Hessom	.....	D24/102
6,589,925	B1	*	7/2003	Binstock	.....	C11D 17/0078
						510/141
D482,558	S	*	11/2003	Kancilja	.....	D6/601
D485,940	S	*	1/2004	Dixon	.....	D28/63
D494,043	S	*	8/2004	Neil	.....	D8/356
D508,992	S	*	8/2005	Kahler	.....	D24/102
D511,340	S	*	11/2005	Mah	.....	D14/222
D523,494	S	*	6/2006	Van Straaten	.....	D21/662
D523,913	S	*	6/2006	Van Straaten	.....	D21/662
D526,369	S	*	8/2006	Van Straaten	.....	D21/662
D539,007	S	*	3/2007	Clark	.....	D1/127
D556,946	S	*	12/2007	Seum	.....	D24/101

(Continued)

OTHER PUBLICATIONS

Aadil Palkhivala—3 The Meaning of Yoga by ThreeMinuteEgg dated Dec. 10, 2012. Found online [Sep. 28, 2016] [https://www.youtube.com/watch?v=No\\_vwsw\\_VIU.\\*](https://www.youtube.com/watch?v=No_vwsw_VIU.*)

(Continued)

*Primary Examiner* — Robert M Spear

*Assistant Examiner* — Ryan Harvey

(74) *Attorney, Agent, or Firm* — McClure, Qualey & Rodack, LLP

(57) **CLAIM**

The ornamental design for the yoga block, as shown and described.

**DESCRIPTION**

FIG. 1 is a perspective view showing my new design for an yoga block;

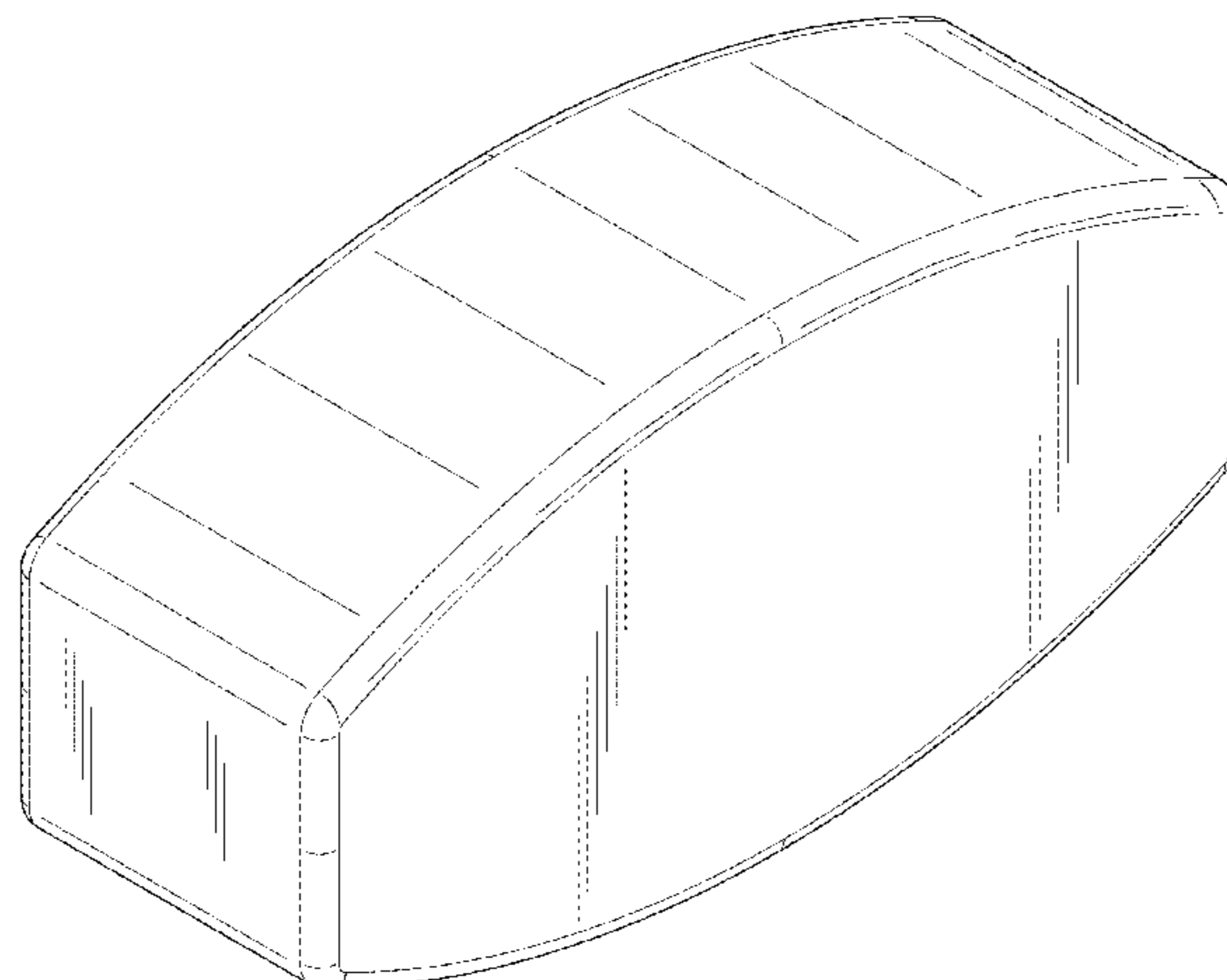


FIG. 2 is a top plan view, the bottom plan view being a mirror image thereof;

FIG. 3 is a front elevational view, rear elevational view being a mirror image thereof; and,

FIG. 4 is a left side elevational view, the right side elevational view being a mirror image thereof.

**1 Claim, 2 Drawing Sheets**

(56)

**References Cited**

U.S. PATENT DOCUMENTS

D560,810 S *	1/2008	Hennessy	.....	D24/214
D562,600 S *	2/2008	Diekman	.....	D6/349
D564,086 S *	3/2008	Nielsen	.....	D24/101
D569,161 S *	5/2008	Gaddy	.....	D6/597
D627,675 S *	11/2010	Graham	.....	D11/79
7,901,328 B1 *	3/2011	Kessler	.....	A63B 5/16 482/130
D651,369 S *	12/2011	Seliskar	.....	D30/160
D671,636 S *	11/2012	Nishino	.....	D24/101
D691,222 S *	10/2013	Sterios	.....	D21/686

D695,857 S *	12/2013	Sterios	.....	D21/686
D699,017 S *	2/2014	Sunvold	.....	D1/199
D701,582 S *	3/2014	Sterios	.....	D21/686
D703,772 S *	4/2014	Sterios	.....	D21/688
D707,312 S *	6/2014	Sterios	.....	D21/686
D729,974 S *	5/2015	Sommarstrom	.....	D27/100
D735,315 S *	7/2015	Bhat	.....	D24/101
D740,378 S *	10/2015	Walsh-Gomez	.....	D21/662
2004/0192523 A1 *	9/2004	Wu	.....	A63B 21/00047 482/148
2010/0062918 A1 *	3/2010	Scholder	.....	A63B 21/00047 482/148
2010/0184567 A1 *	7/2010	Lim	.....	A63B 21/0004 482/23
2013/0029815 A1 *	1/2013	Lu	.....	A63B 21/0004 482/142
2013/0190151 A1 *	7/2013	Scholder	.....	A63B 21/4039 482/142

OTHER PUBLICATIONS

Three Minute Egg by Three Minute Egg dated no date given. Found online [Sep. 28, 2016] <http://www.threeminuteegg.com/egg-shaped-yoga-blocks/?sort=featured&page=3>.\*

\* cited by examiner

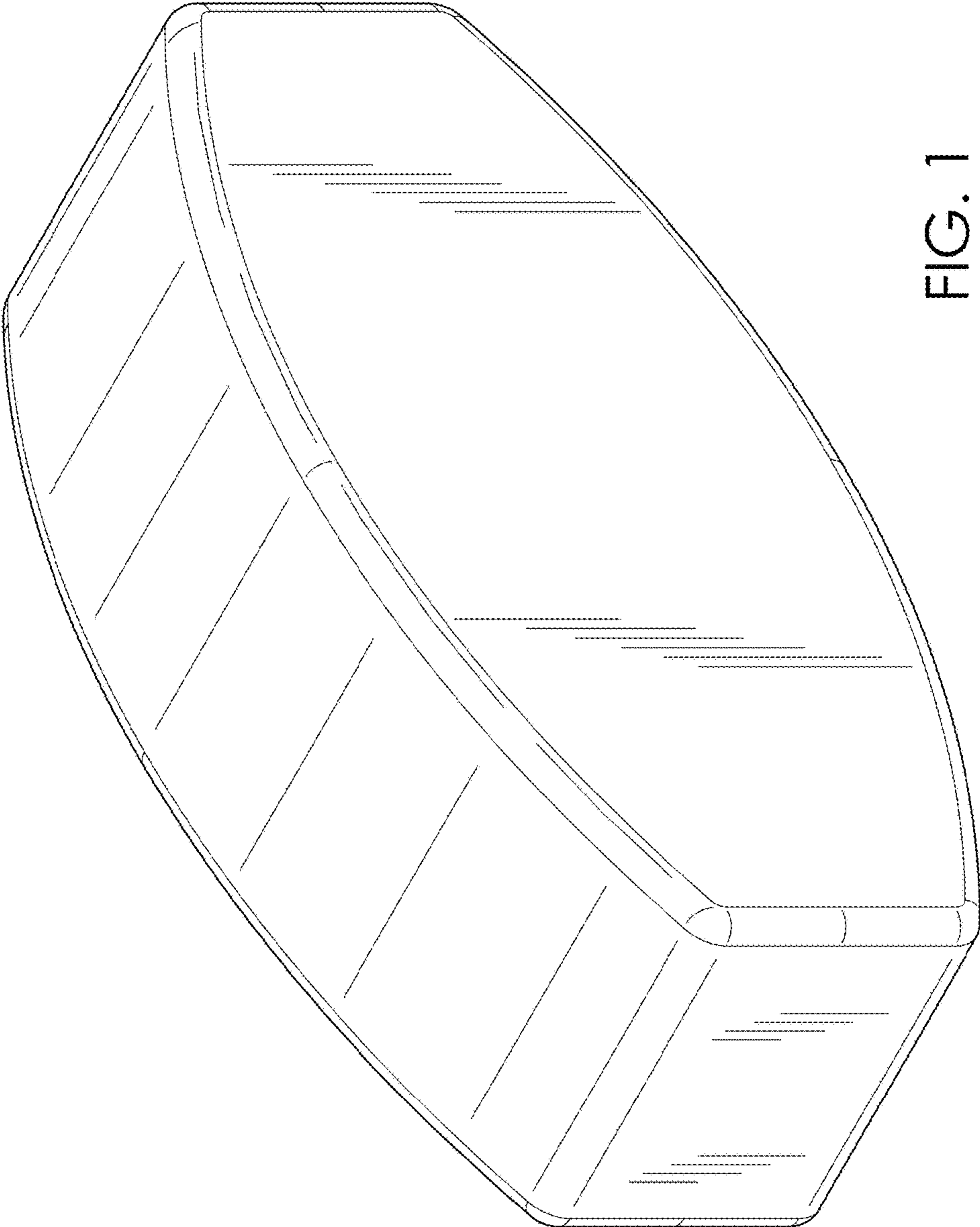


FIG. 1

FIG. 2

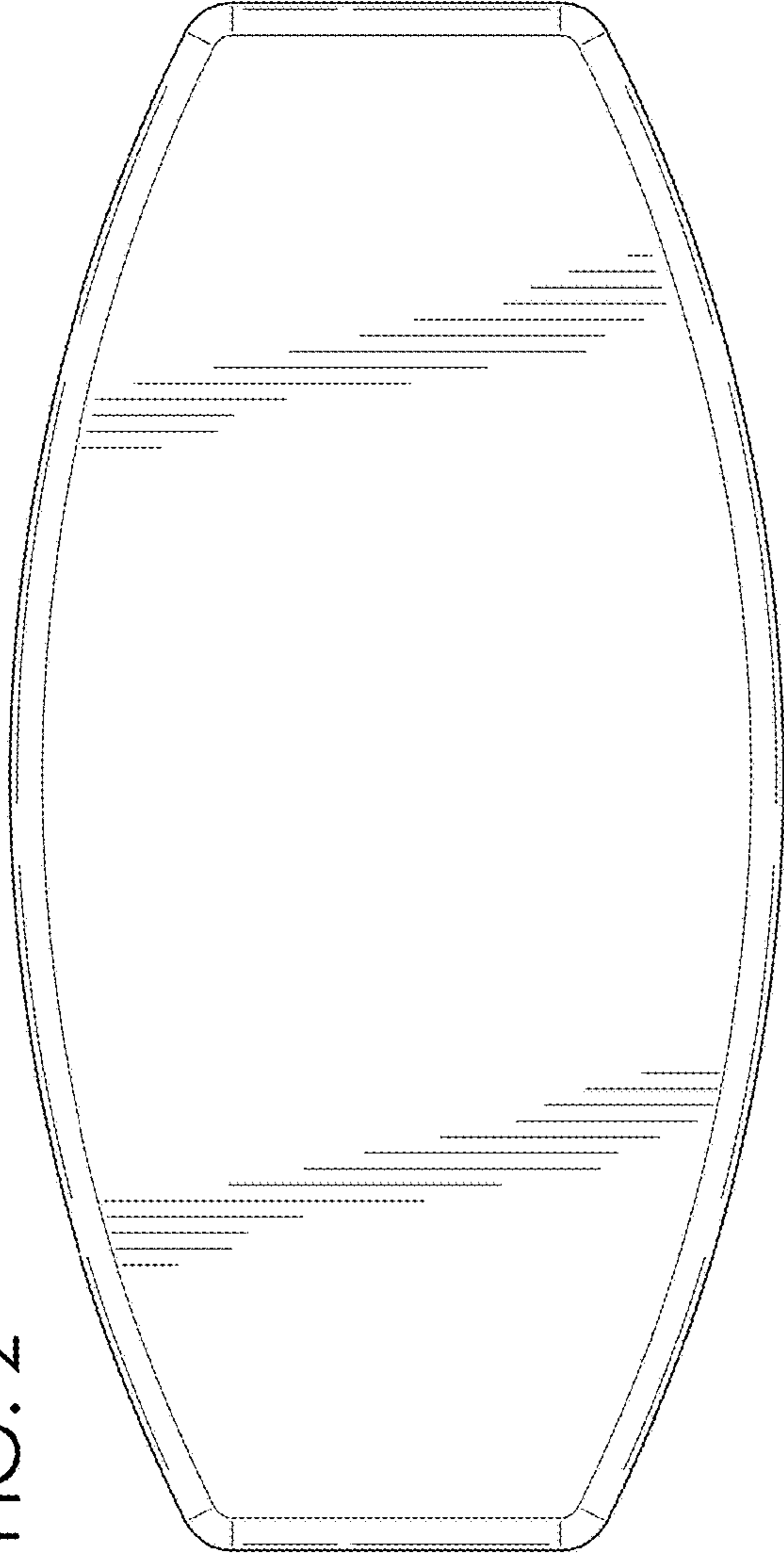


FIG. 3

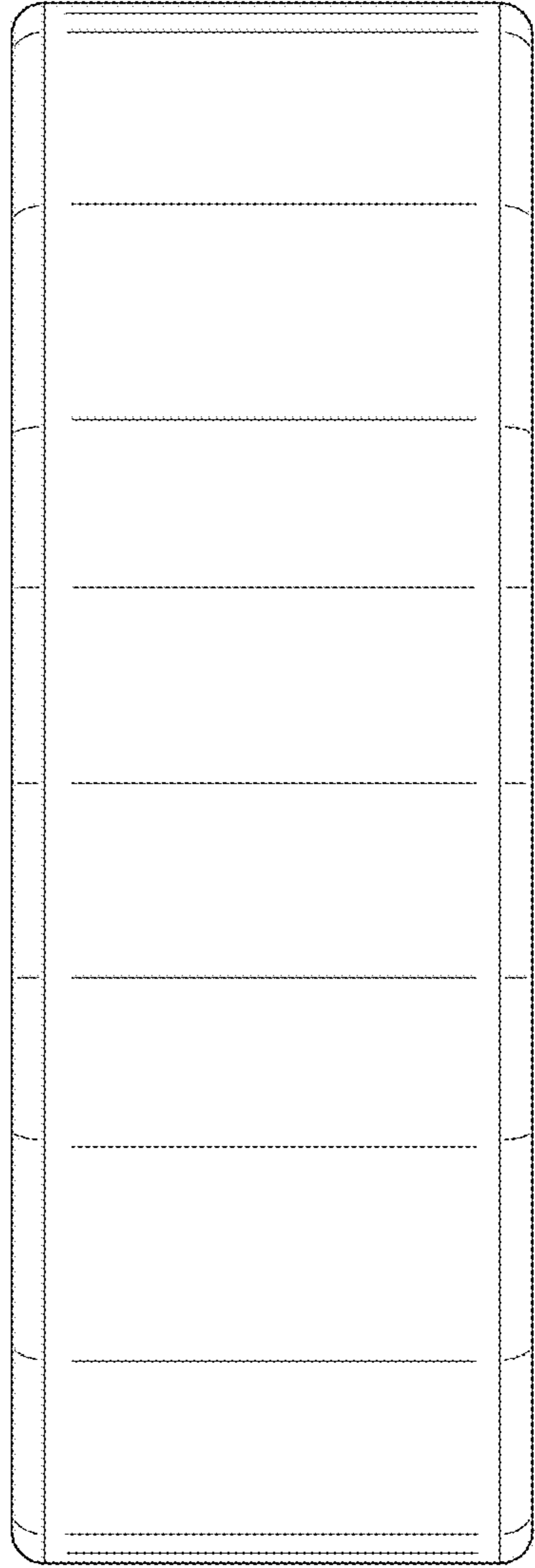


FIG. 4

