



US00D779599S

(12) **United States Design Patent** (10) **Patent No.:** **US D779,599 S**
Jung (45) **Date of Patent:** **** *Feb. 21, 2017**

(54) **BALANCED DUMBBELL**

(71) Applicant: **JBELLS, LLC**, Las Vegas, NV (US)

(72) Inventor: **Jea H. Jung**, Las Vegas, NV (US)

(*) Notice: This patent is subject to a terminal disclaimer.

(**) Term: **15 Years**

(21) Appl. No.: **29/529,969**

(22) Filed: **Jun. 11, 2015**

(51) **LOC (10) Cl.** **21-01**

(52) **U.S. Cl.**
USPC **D21/681**

(58) **Field of Classification Search**

USPC D21/681, 678, 682, 680, 662, 798, 787,
D21/713, 398, 707, 801; D30/160;
D1/190; D8/15; 428/600, 148, 141, 108,
428/1; 482/108, 141, 93, 50, 88, 62;
473/596; 273/DIG. 20, DIG. 8; D12/565
CPC A63B 21/075; A63B 21/0728; A63B
21/00065; A63B 21/0726; A63B 21/072;
A63B 21/4035

See application file for complete search history.

(56) **References Cited**

U.S. PATENT DOCUMENTS

113,966 A * 4/1871 Ballou A63B 21/075
482/108
3,185,476 A * 5/1965 Fechner A63B 43/02
2/18
D241,869 S * 10/1976 Hilprecht D21/713
D242,865 S * 12/1976 Stamm D21/682

(Continued)

FOREIGN PATENT DOCUMENTS

CN 202315099 U 7/2012
JP 2004-255006 A 9/2004

(Continued)

OTHER PUBLICATIONS

J Bells by jBells dated no date given. Found online [Mar. 10, 2016]
<http://jbells.com/>.*

(Continued)

Primary Examiner — Robert M Spear

Assistant Examiner — Ryan Harvey

(74) *Attorney, Agent, or Firm* — Weide & Miller, Ltd.

(57) **CLAIM**

The ornamental design for a balanced dumbbell, as shown and described.

DESCRIPTION

FIG. 1 is a perspective view of a balanced dumbbell showing the new design.

FIG. 2 is a top view of the balanced dumbbell shown in FIG. 1.

FIG. 3 is a side view of the balanced dumbbell shown in FIG. 1.

FIG. 4 is a side view of the balanced dumbbell shown in FIG. 1.

FIG. 5 is a bottom view of the balanced dumbbell shown in FIG. 1.

FIG. 6 is a perspective view of a balanced dumbbell showing the new design.

FIG. 7 is a top view of the balanced dumbbell shown in FIG. 6.

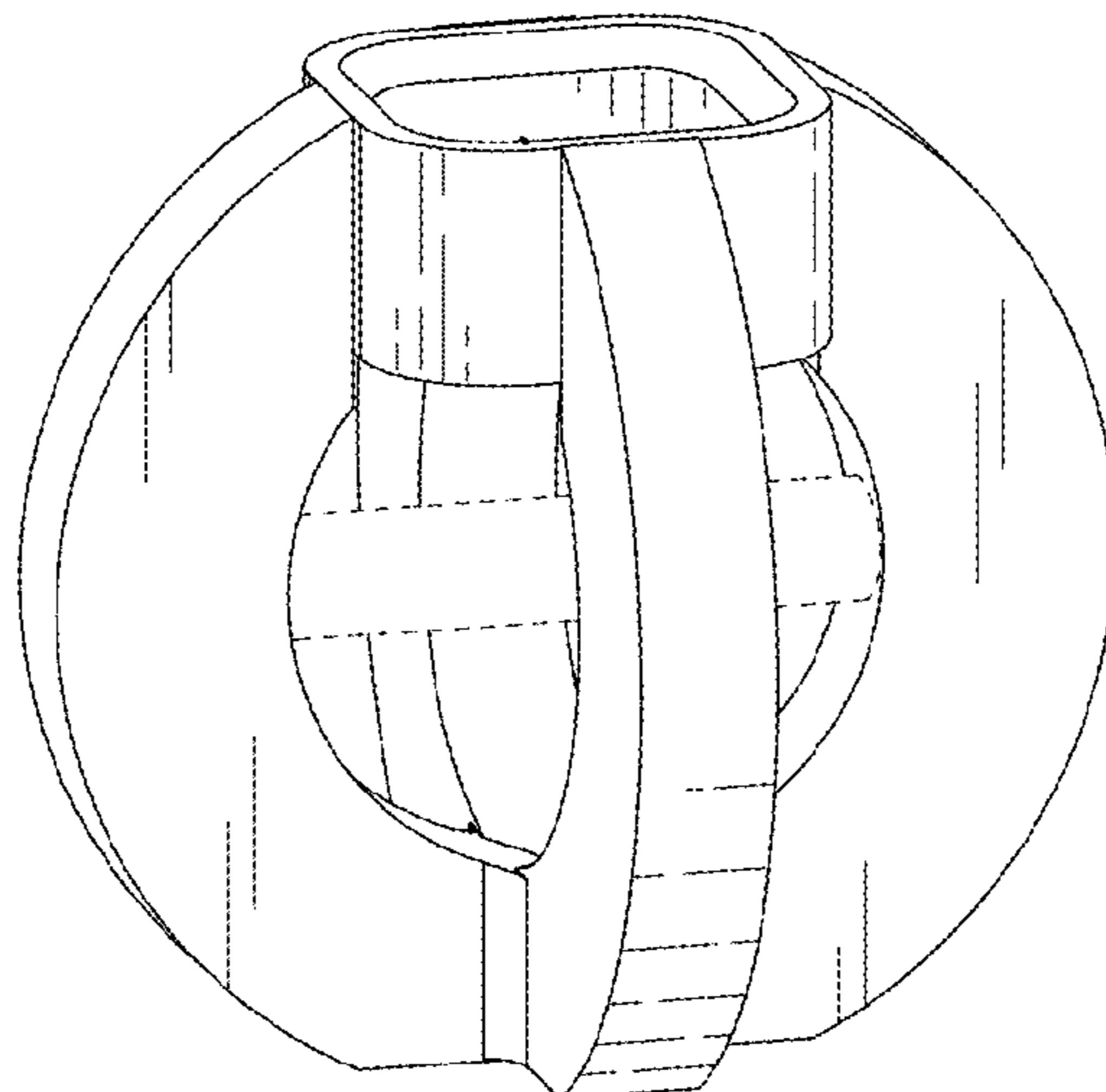
FIG. 8 is a side view of the balanced dumbbell shown in FIG. 6.

FIG. 9 is a side view of the balanced dumbbell shown in FIG. 6; and,

FIG. 10 is a bottom view of the balanced dumbbell shown in FIG. 6.

The broken lines indicate unclaimed portions of the article and form no part of the claimed design.

1 Claim, 2 Drawing Sheets



(56)

References Cited

U.S. PATENT DOCUMENTS

D244,628 S * 6/1977 Wright D21/682
 D274,283 S * 6/1984 Wright 482/108
 D307,168 S * 4/1990 Vodhanel D21/682
 D321,230 S 10/1991 Leonesio
 D344,113 S * 2/1994 Shelton D21/678
 5,346,450 A 9/1994 Caruthers
 D363,752 S * 10/1995 Shumber D21/678
 5,496,244 A * 3/1996 Caruthers A63B 21/0605
 482/108
 D372,945 S 8/1996 Morgan
 5,637,064 A 6/1997 Olson
 D438,265 S 2/2001 Fenelon
 D468,378 S * 1/2003 Routzong D21/398
 D480,438 S * 10/2003 Walkow D21/681
 D515,652 S * 2/2006 McCreath D21/787
 7,014,598 B2 3/2006 Fenelon et al.
 D545,509 S * 6/2007 Wang D30/160
 D549,889 S * 8/2007 Winkler D30/160
 D553,809 S * 10/2007 Gick D12/565
 D575,361 S * 8/2008 Davis D21/682
 7,585,262 B1 * 9/2009 Vayntraub A63B 23/12
 482/141
 7,878,952 B2 2/2011 Fenelon
 D651,671 S * 1/2012 Ross D21/662
 8,394,004 B2 3/2013 Towley, III
 8,454,485 B1 * 6/2013 Hodes A63B 21/0726
 482/108
 8,608,627 B2 12/2013 Ross
 8,668,630 B2 3/2014 Towley, III
 D707,303 S * 6/2014 Saber D21/398

D707,776 S * 6/2014 Rubey D21/801
 D731,011 S * 6/2015 Buchanan D21/682
 D736,483 S * 8/2015 Crane D30/160
 D740,894 S * 10/2015 Slowey D21/680
 D740,895 S * 10/2015 Slowey D21/680
 D746,002 S * 12/2015 Crane D30/160
 2003/0060346 A1 * 3/2003 Wu A63B 21/06
 482/108
 2005/0233873 A1 10/2005 Chen
 2011/0263393 A1 * 10/2011 Ross A63B 21/072
 482/93
 2014/0274597 A1 9/2014 Towley, III
 2015/0360074 A1 * 12/2015 Jung A63B 21/0726
 482/108

FOREIGN PATENT DOCUMENTS

JP 3135038 U 8/2007
 TW 201219084 A 5/2012
 WO 2011106970 A1 9/2011

OTHER PUBLICATIONS

Heavyhands vs. Dumbbells, Weightedhands.com, <http://www.weightedhands.com/heavyhands-vs-dumbbells/>, Google Images, 2 pages.
 Powerblock Adjustable Dumbbells Review, bestadjustabledumbbellspro.com, <http://bestadjustabledumbbellspro.com/powerblock-adjustable-dumbbells-review/>, Google Images, Sep. 13, 2013, 4 pages.

* cited by examiner

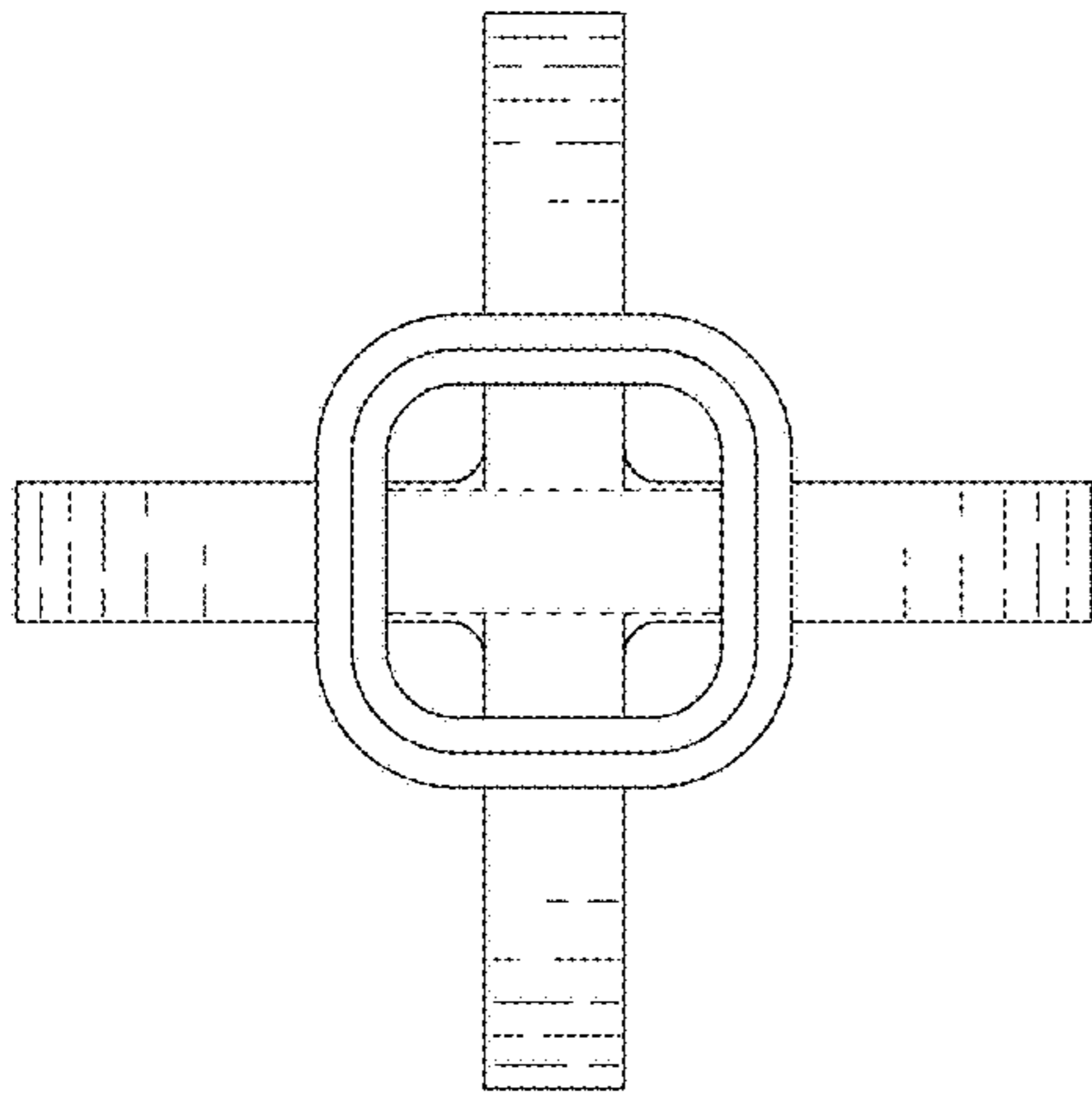


FIG. 2

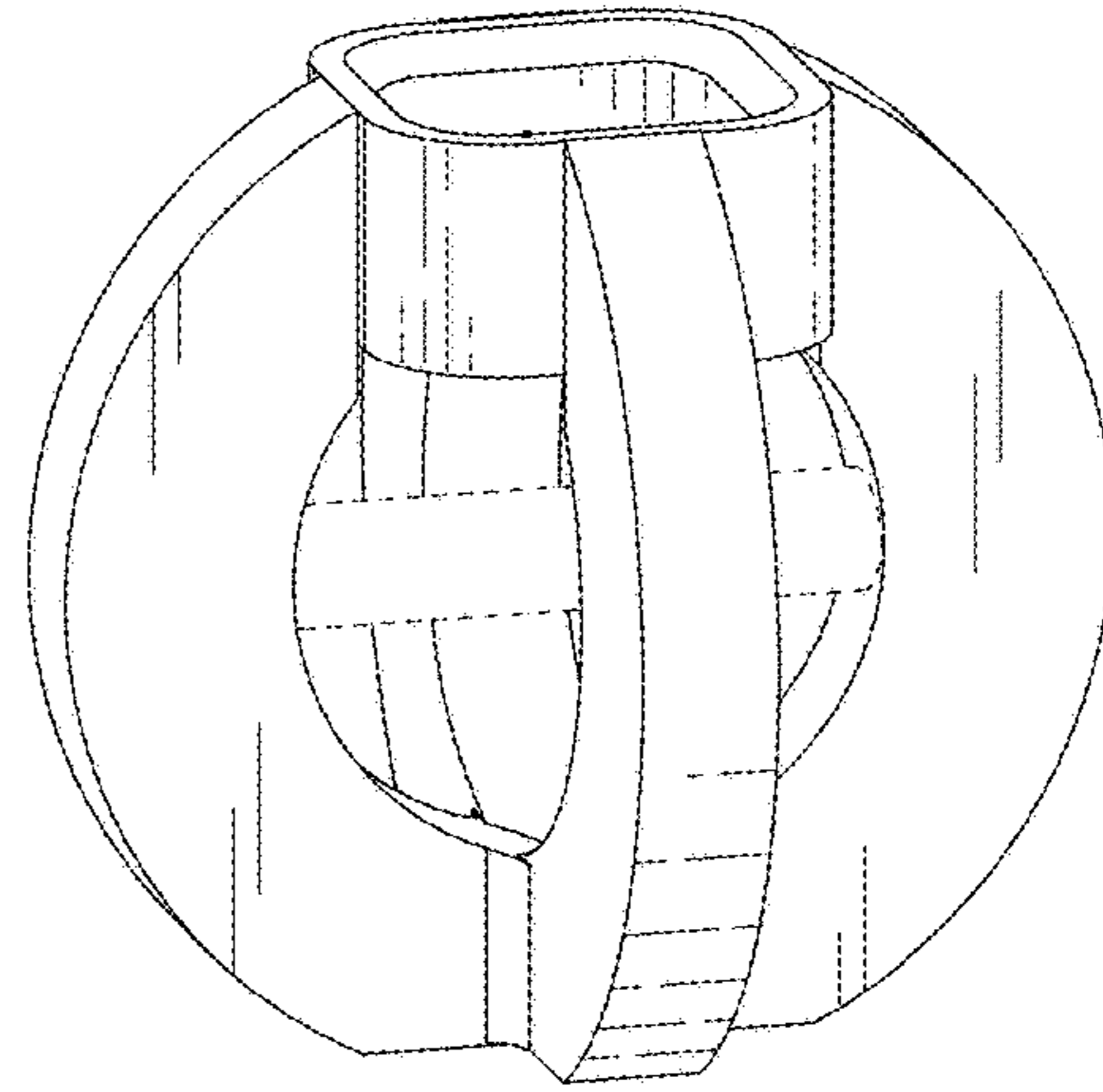


FIG. 1

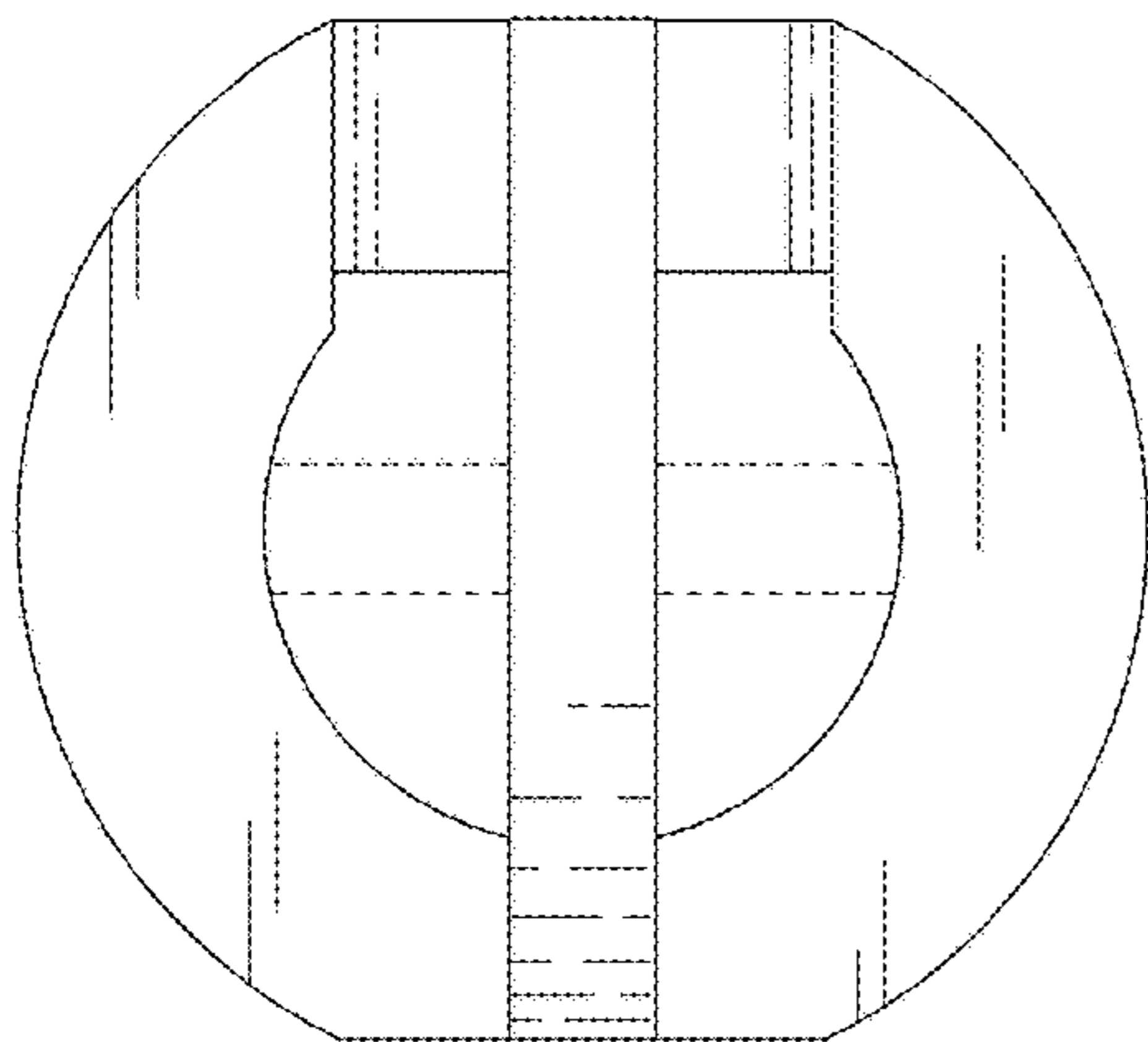


FIG. 3

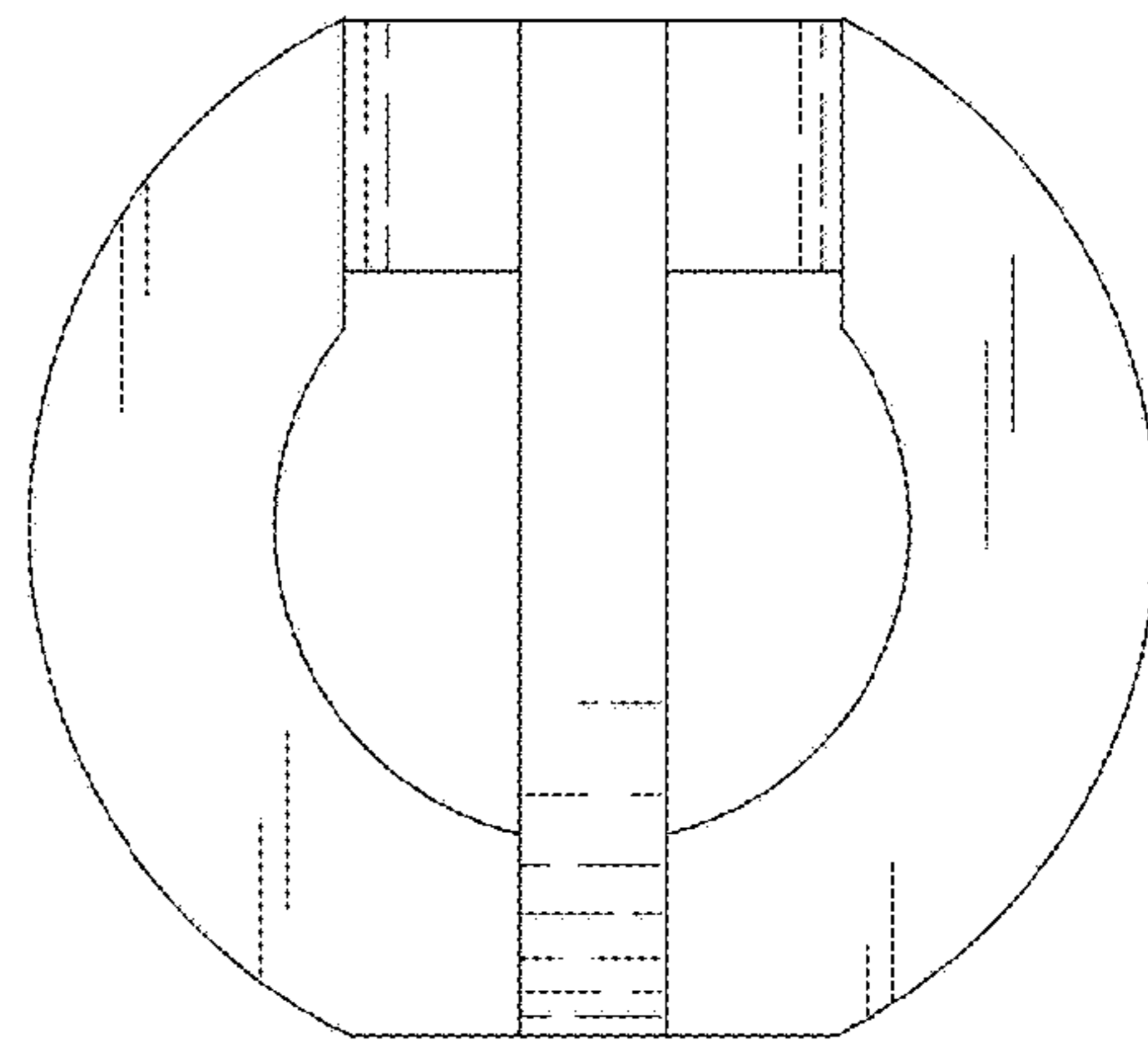


FIG. 4

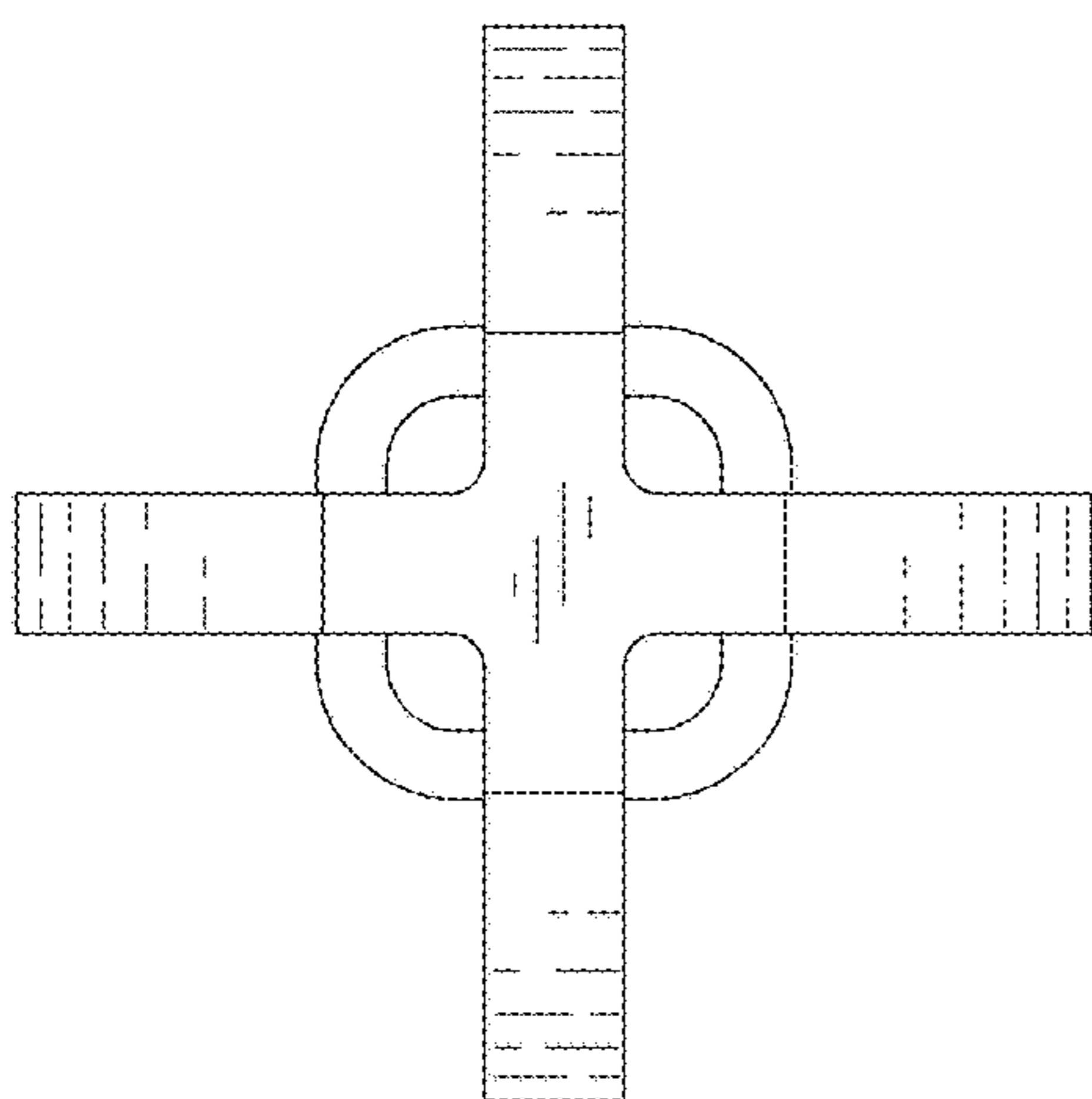


FIG. 5

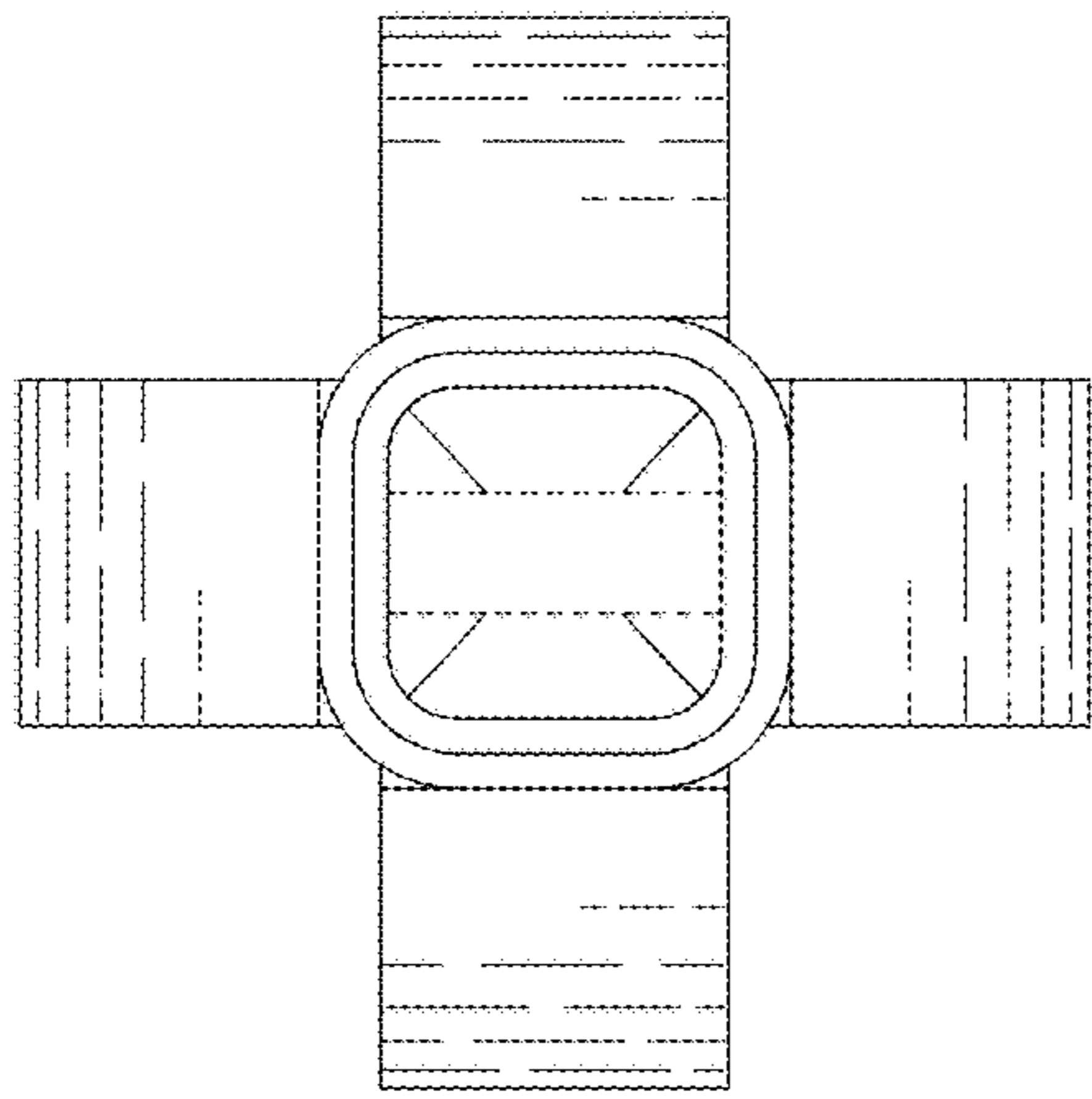


FIG. 7

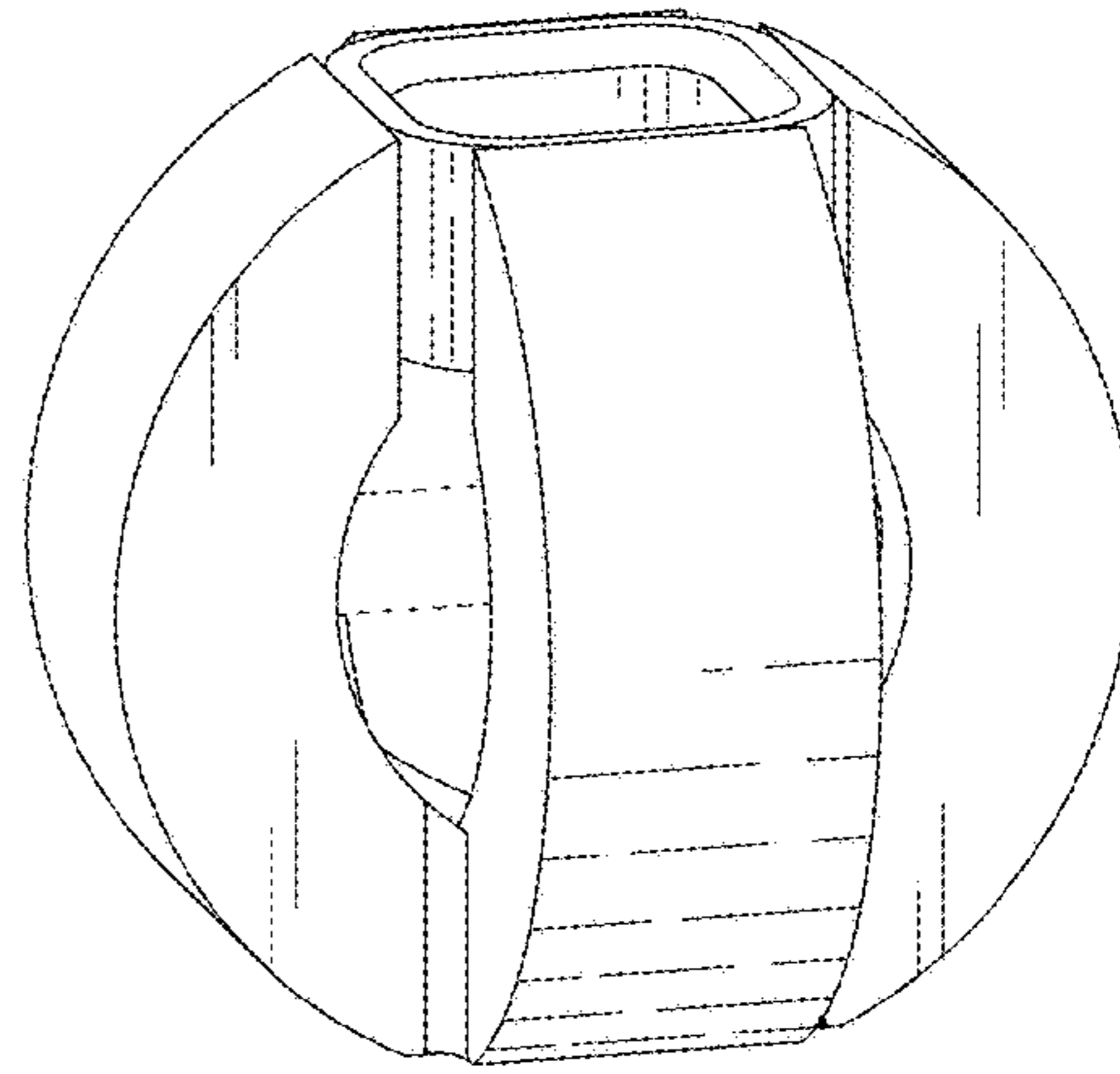


FIG. 6

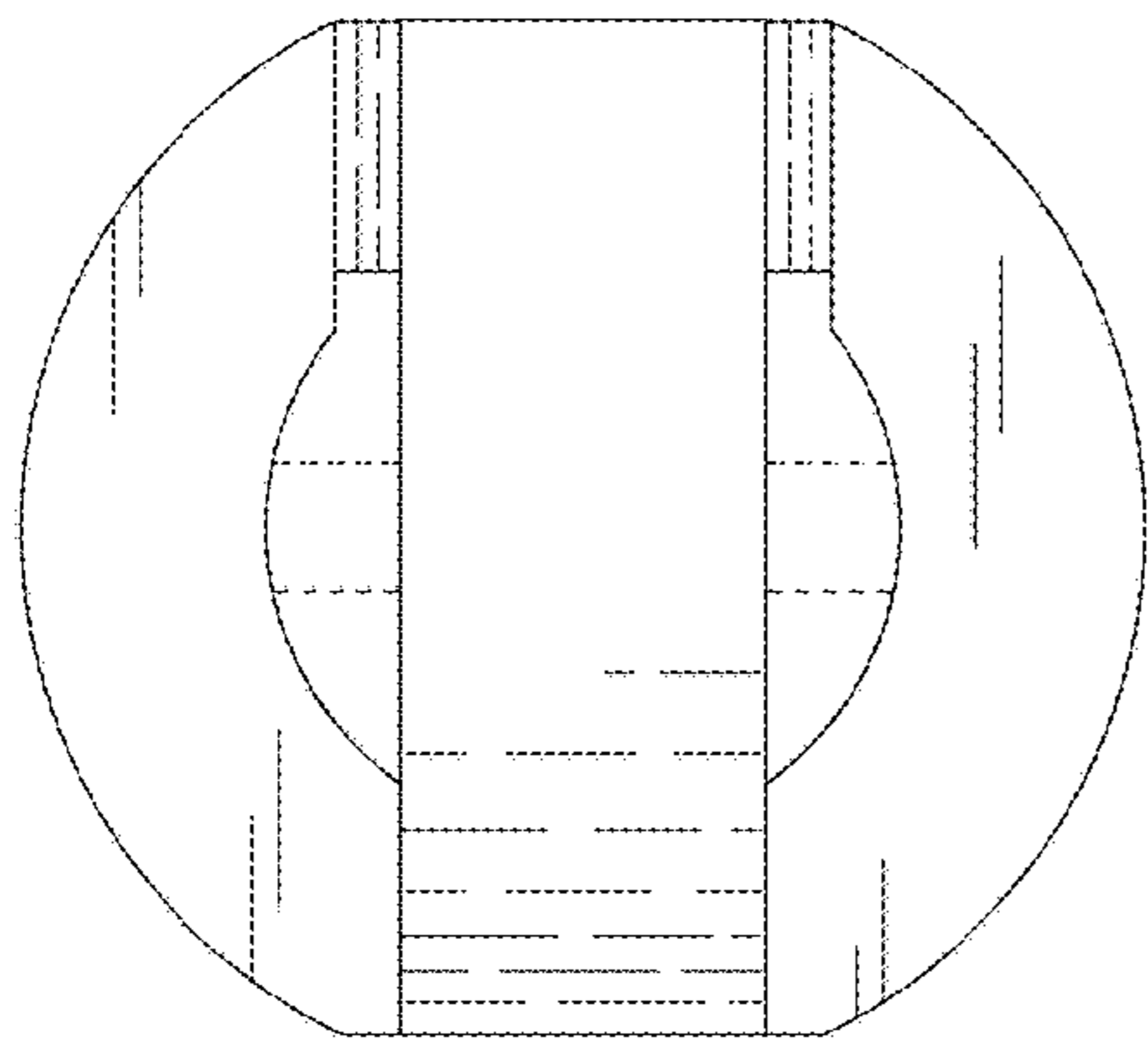


FIG. 8

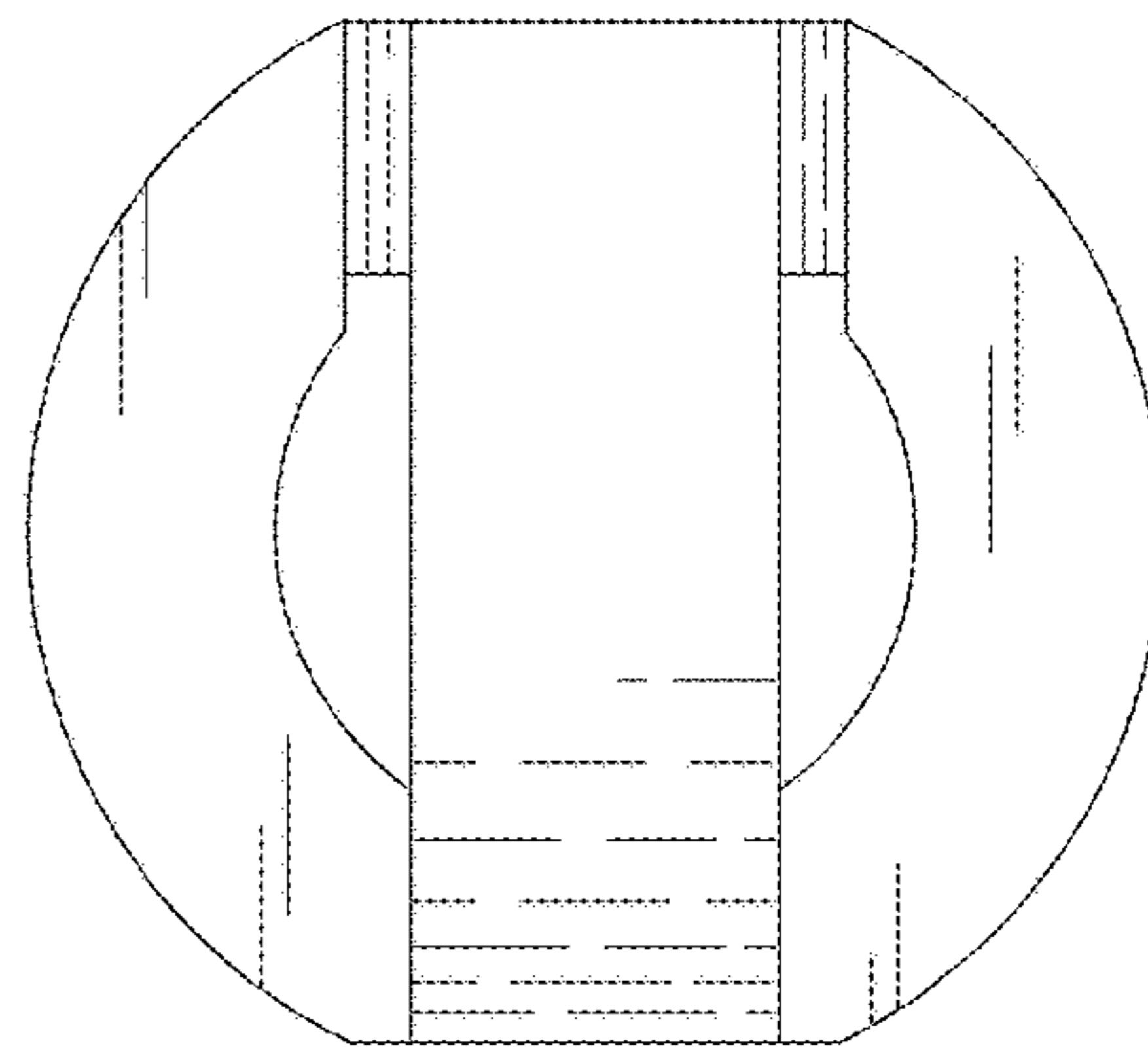


FIG. 9

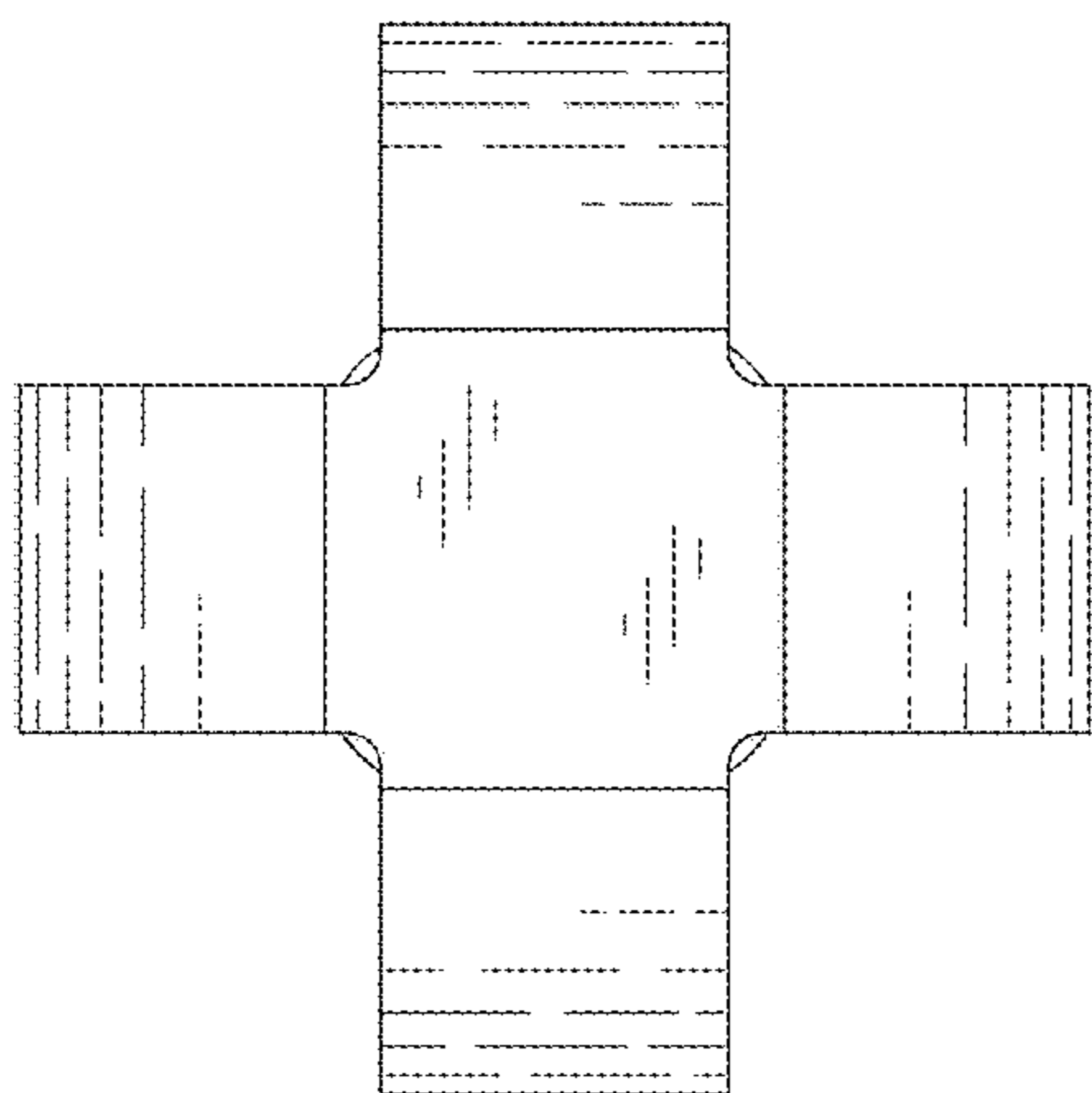


FIG. 10