



US00D779598S

(12) **United States Design Patent** (10) **Patent No.:** **US D779,598 S**
Corley (45) **Date of Patent:** **** Feb. 21, 2017**

(54) **YOGA BIND STRAP**

(71) Applicant: **Suzanne W Corley**, North Ridgeville, OH (US)

(72) Inventor: **Suzanne W Corley**, North Ridgeville, OH (US)

(**) Term: **15 Years**

(21) Appl. No.: **29/505,506**

(22) Filed: **Nov. 27, 2015**

(51) **LOC (10) Cl.** **21-02**

(52) **U.S. Cl.**
USPC **D21/662**

(58) **Field of Classification Search**
USPC D21/664, 673, 688, 662, 699, 705,
D21/668, 769, 690, 788, 698, 534, 669,
D21/302, 691, 681, 682, 800, 694, 686,
D21/702, 676, 684, 775, 777, 692, 672;
482/122, 142, 123, 129, 128, 93, 106, 74,
482/121, 130, 71, 72, 95, 96, 68, 66, 41,
482/141, 100, 115, 49, 146, 147, 42, 51,
482/35, 38, 23, 904, 91, 28, 140, 907, 86,
482/83, 87, 90, 131, 902, 61, 65, 17, 52,
482/62, 107, 108, 54, 105, 133, 148, 92,
482/138, 12; 473/432, 445, 441, 197, 434,
473/438, 454, 478, 447, 422, 476;
D12/317, 9, 6, 8, 130, 115, 114; 273/400,
273/407, 396; D8/303, 499, 107, 14;
D11/87, 86, 80, 103, 2, 56, 93, 13;
16/430, 421; D26/49, 37; D24/107;
74/551.9; 59/82, 80; 24/658, 303
CPC A63B 21/0552; A63B 21/00069;
A63B 21/4035; A63B 21/0557; A63B
21/0442; A63B 2208/0204; A63B
21/4043; A63B 23/12; A63B 21/0004
See application file for complete search history.

(56) **References Cited**

U.S. PATENT DOCUMENTS

2,122,372	A *	6/1938	Hooper	E02B 3/26 114/219
3,510,130	A	5/1970	Ferdinand	482/46
4,345,757	A	8/1982	Lo Voi	482/132
D271,051	S	10/1983	McCoy et al.	D24/211
D280,434	S	9/1985	McManaway	D24/211
4,643,417	A	2/1987	Nieman	482/46
D340,527	S	10/1993	Goodell	D24/211
5,431,610	A *	7/1995	Miller	A63B 21/0004 482/11
D384,158	S	9/1997	Kain	D24/215
D398,400	S	9/1998	Havelind	D24/211
D405,536	S	2/1999	Haynes	D24/214
D416,427	S	11/1999	Pecora et al.	D6/601
6,014,950	A *	1/2000	Rogers	A01K 15/026 119/710
6,517,877	B2 *	2/2003	Gannon	A23K 40/20 426/282
D485,399	S *	1/2004	Nazimek	D30/160
D494,006	S *	8/2004	Zemel	D7/395
D494,807	S *	8/2004	Zemel	D7/393
D528,709	S *	9/2006	Nazimek	D30/160
D528,857	S *	9/2006	Zemel	D7/395
D550,504	S *	9/2007	Zemel	D7/395
D554,208	S	10/2007	Palaszek	D21/662

(Continued)

Primary Examiner — Robert M Spear

Assistant Examiner — Ryan Harvey

(74) *Attorney, Agent, or Firm* — David A. Burge

(57) **CLAIM**

I claim the ornamental design for a yoga bind strap, as shown and described.

DESCRIPTION

FIG. 1 is a perspective view showing front, top and left end portions of my new design;
FIG. 2 is a top view thereof;
FIG. 3 is a front view thereof;
FIG. 4 is a bottom view thereof;

(Continued)

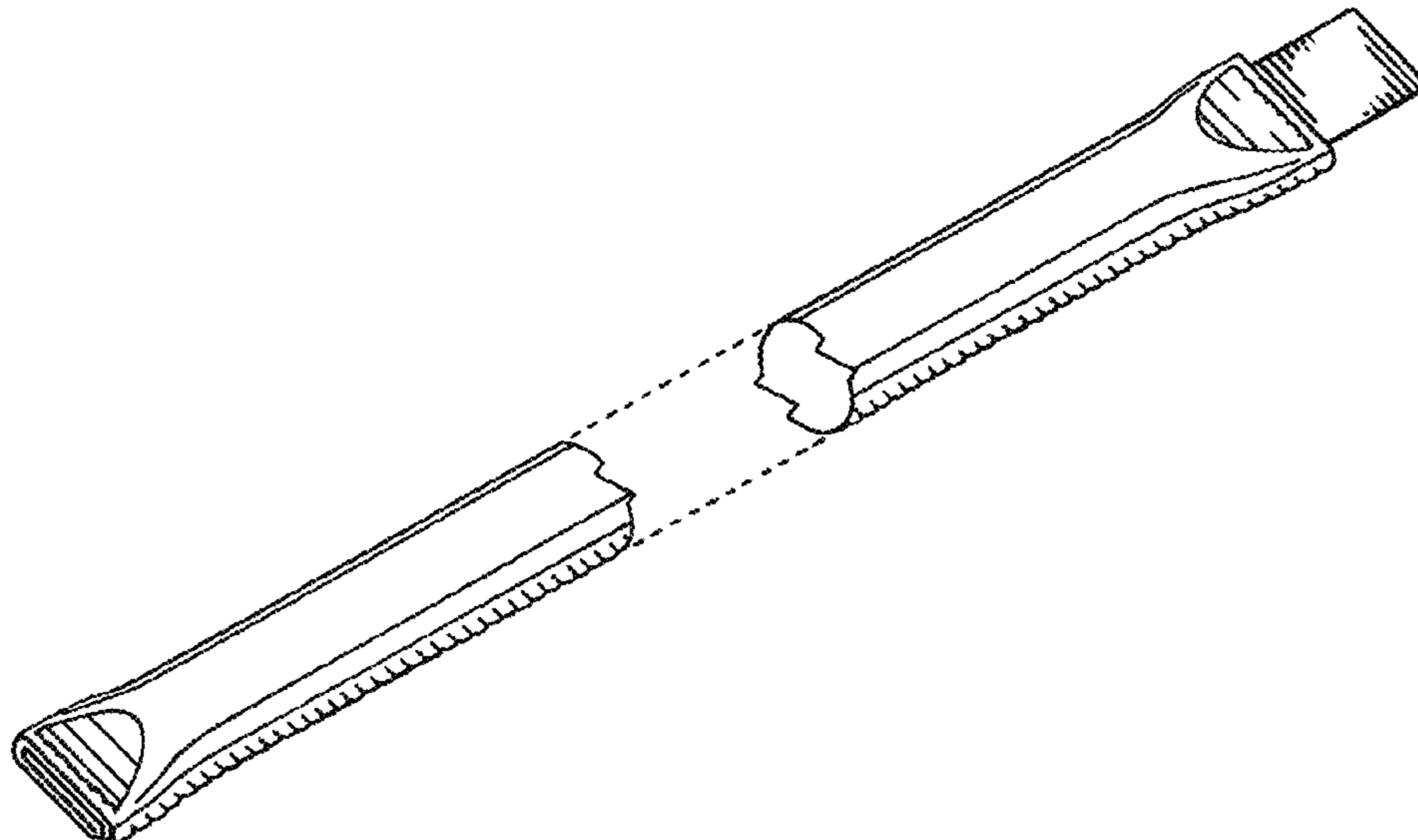


FIG. 5 is a rear view thereof;
 FIG. 6 is a left end view thereof; and,
 FIG. 7 is a right end view thereof.
 The broken lines in the drawing designate an unclaimed central region of the depicted article of manufacture.
 The broken away symbols in the drawing indicate that the appearance of any portion of the article located between the break lines forms no part of the claimed design.
 All broken lines in the drawings depict portions of the article of manufacture that are not included in the claimed design.

1 Claim, 2 Drawing Sheets

(56)

References Cited

U.S. PATENT DOCUMENTS

D572,068 S 7/2008 Lin D6/582
 D597,263 S * 7/2009 Nazimek D30/160

7,578,775 B2 *	8/2009	Terry	A63B 21/0004 482/121
D609,048 S *	2/2010	Yeh	D7/387
D629,978 S *	12/2010	Nazimek	D30/160
D648,807 S *	11/2011	Butler	D21/398
D670,455 S *	11/2012	Lipscomb	D30/160
D677,652 S *	3/2013	Gifford	D14/217
8,387,216 B1	3/2013	Martinson	24/30
D686,374 S *	7/2013	Nazimek	D30/160
D696,414 S	12/2013	Tabe et al.	D24/215
8,776,322 B2	7/2014	Martinson	24/30
D712,563 S	9/2014	Pursel et al.	D24/214
D732,888 S *	6/2015	Rose	D7/395
D733,226 S	6/2015	Abbate	D21/679
D734,063 S	7/2015	Evert et al.	D6/588
2004/0250346 A1	12/2004	Vasishth	5/417
2007/0275827 A1	11/2007	Glaser	482/23
2014/0259399 A1	9/2014	Tsai	434/362
2014/0295983 A1	10/2014	Nooner	473/233

* cited by examiner

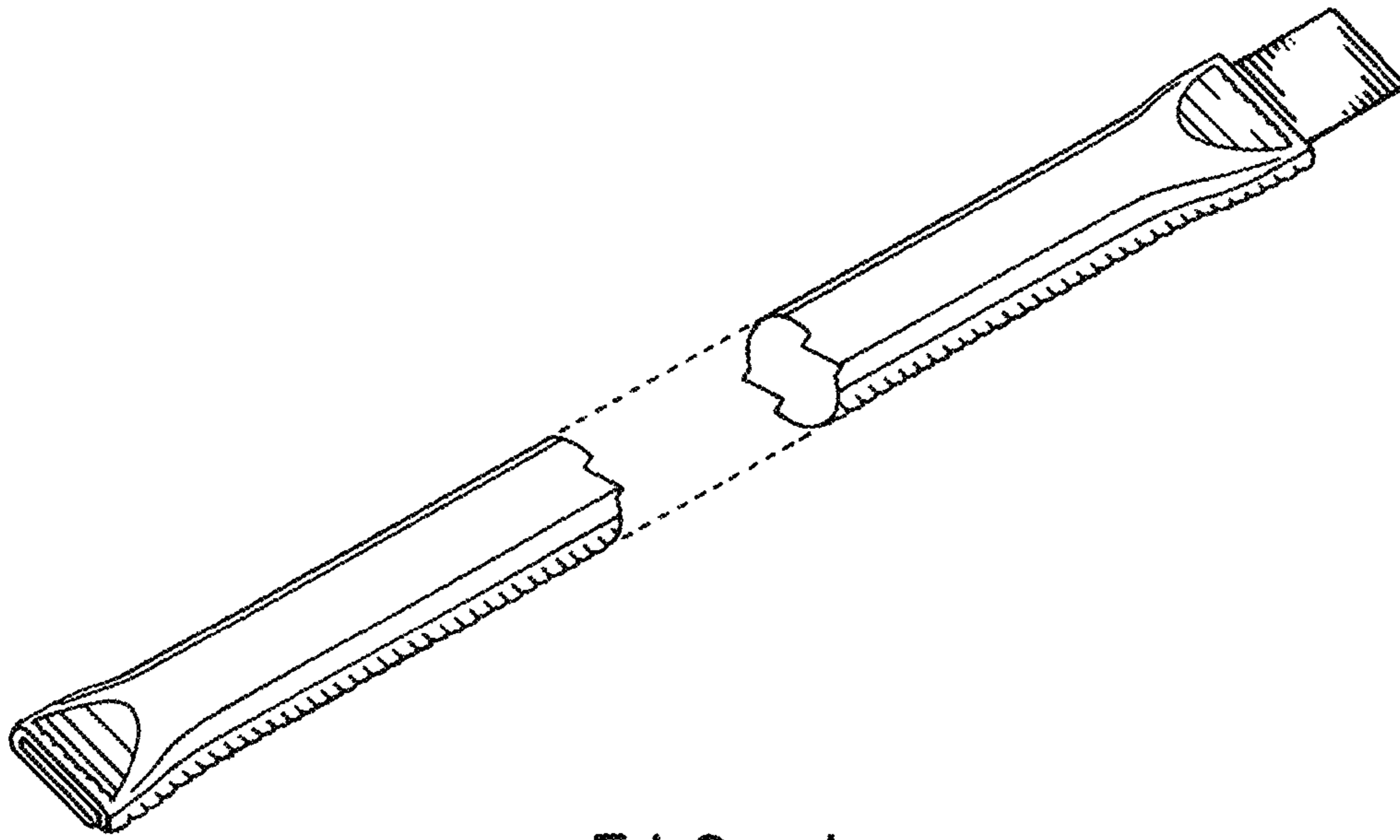


FIG. 1

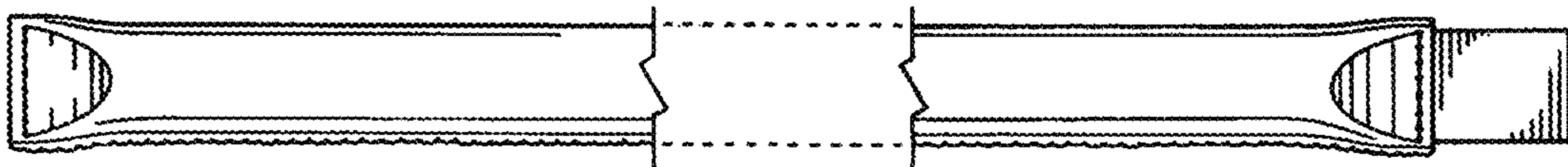


FIG. 2



FIG. 3

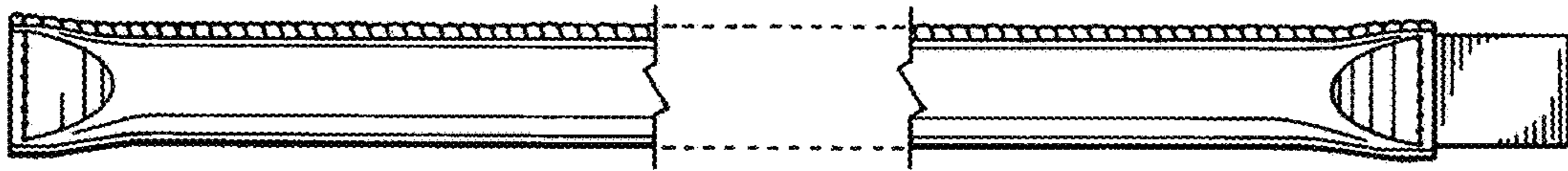


FIG. 4

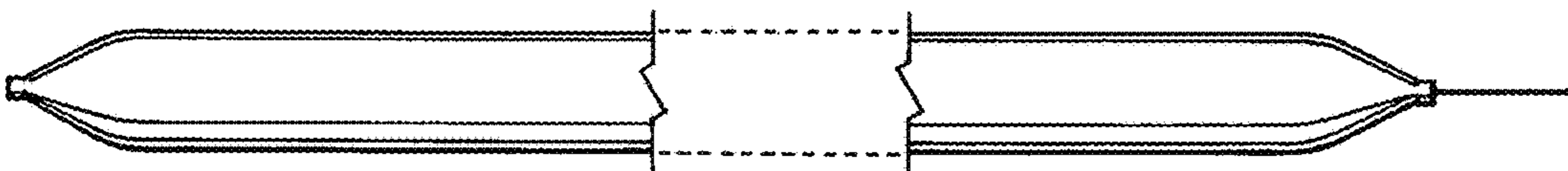


FIG. 5

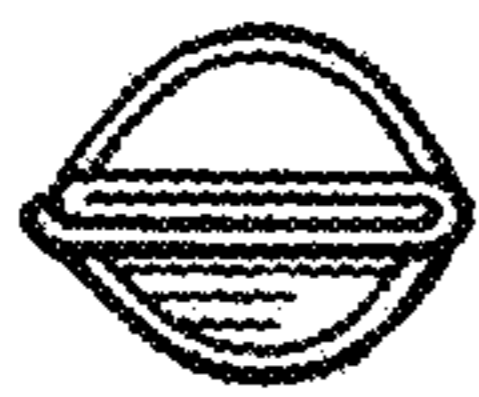


FIG. 6



FIG. 7