



US00D779597S

(12) **United States Design Patent** (10) **Patent No.:** **US D779,597 S**
Liu (45) **Date of Patent:** **** Feb. 21, 2017**

(54) **SET OF ROBOT LIMBS**

(71) Applicants: **XYZPRINTING, INC.**, New Taipei (TW); **KINPO ELECTRONICS, INC.**, New Taipei (TW); **CAL-COMP ELECTRONICS & COMMUNICATIONS COMPANY LIMITED**, New Taipei (TW)

(72) Inventor: **Te-Wei Liu**, New Taipei (TW)

(73) Assignees: **XYZPRINTING, INC.**, New Taipei (TW); **KINPO ELECTRONICS, INC.**, New Taipei (TW); **CAL-COMP ELECTRONICS & COMMUNICATIONS COMPANY LIMITED**, New Taipei (TW)

(**) Term: **15 Years**

(21) Appl. No.: **29/528,759**

(22) Filed: **Jun. 1, 2015**

(51) **LOC (10) Cl.** **21-01**

(52) **U.S. Cl.**
USPC **D21/578**

(58) **Field of Classification Search**
USPC D21/578-583, 621, 622; 446/268-274, 446/279, 280, 285, 289-292, 294, 446/297-303, 353-355, 376-384; D15/199; 318/568.11, 568.12, 568.2
CPC B25J 9/00
See application file for complete search history.

(56) **References Cited**

U.S. PATENT DOCUMENTS

D453,199 S * 1/2002 Sawai D21/578
D534,971 S * 1/2007 Chung D21/578

D561,213 S * 2/2008 Mitchell D15/199
D561,214 S * 2/2008 Mitchell D12/578
D561,215 S * 2/2008 Mitchell D15/199
D561,795 S * 2/2008 Mitchell D15/199
D593,164 S * 5/2009 Sonoda D21/578
D622,786 S * 8/2010 Lee D21/578
D645,523 S * 9/2011 Wong D15/199
D647,149 S * 10/2011 Wong D15/199
D662,154 S * 6/2012 Hara D15/199

* cited by examiner

Primary Examiner — Zenia Bennett

(74) *Attorney, Agent, or Firm* — Chun-Ming Shih; HDLS IPR Services

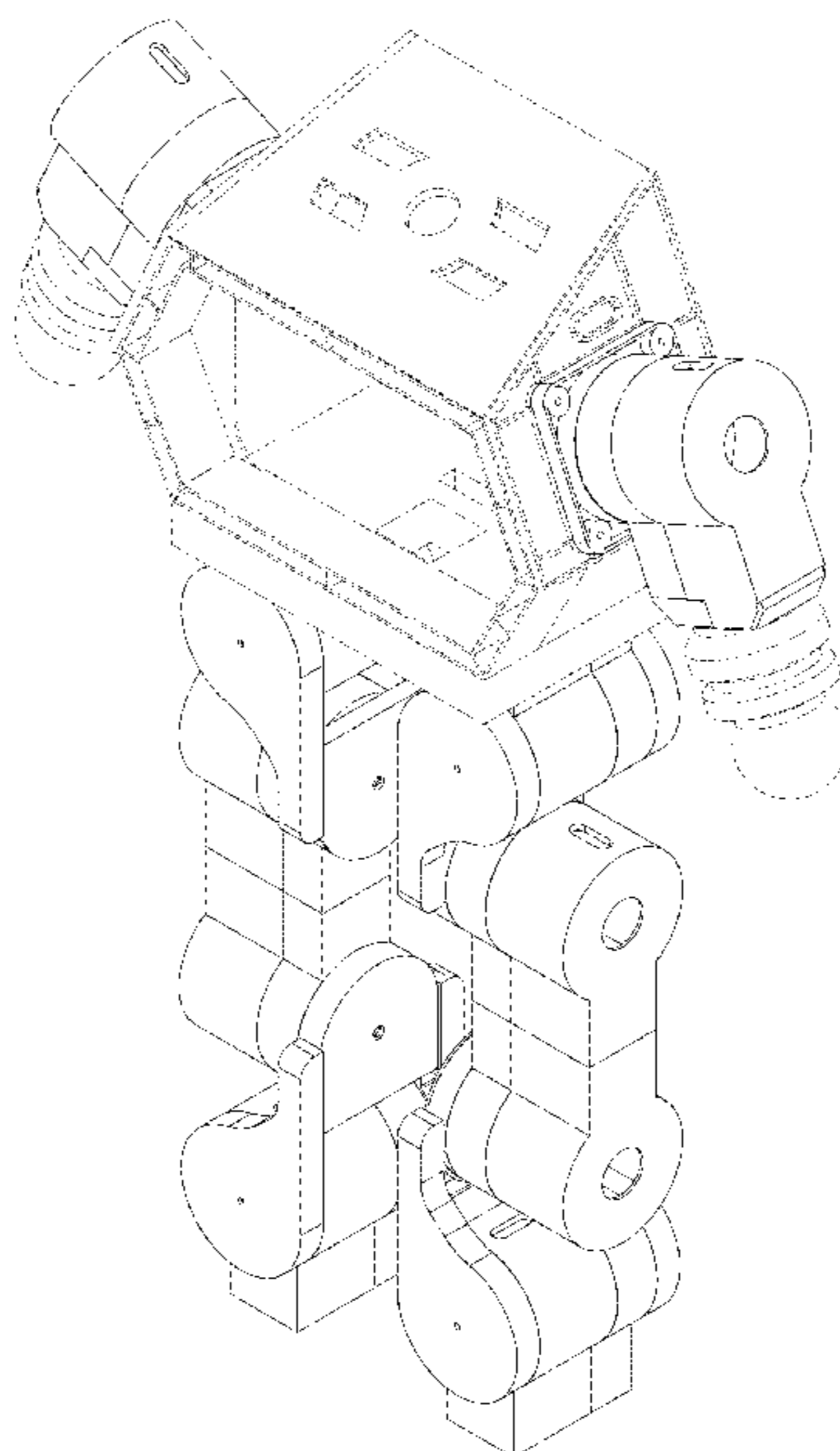
(57) **CLAIM**

The ornamental design for a set of robot limbs, as shown and described.

DESCRIPTION

FIG. 1 is a perspective view of a set of robot limbs showing my new design;
FIG. 2 is a front view thereof;
FIG. 3 is a rear view thereof;
FIG. 4 is a left side view thereof;
FIG. 5 is a right side view thereof;
FIG. 6 is a top view thereof;
FIG. 7 is a bottom view thereof; and,
FIG. 8 is second perspective view showing the set of robot limbs.
The broken lines shown represent unclaimed subject matter and form no part of the claimed design.

1 Claim, 7 Drawing Sheets



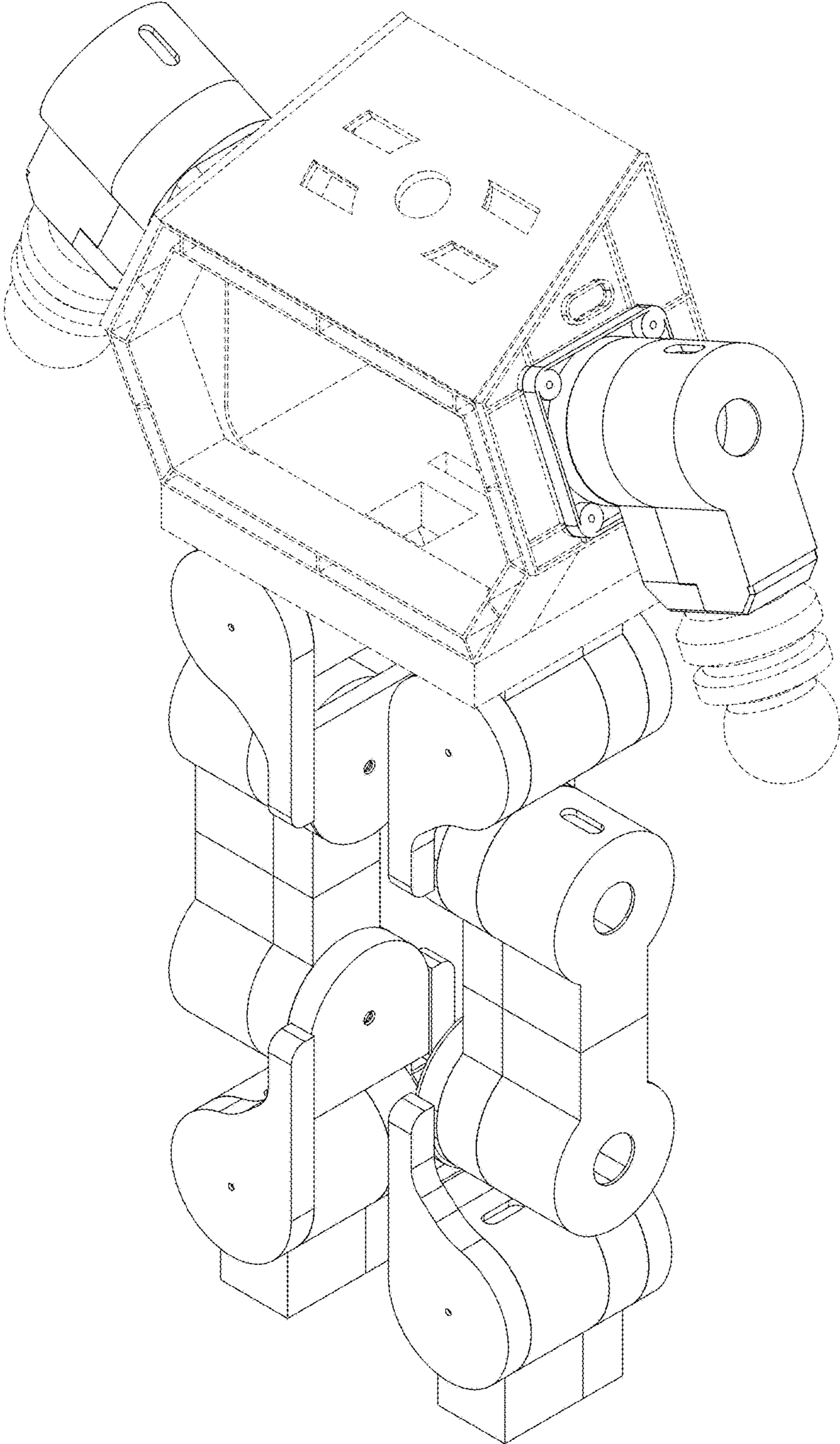


FIG.1

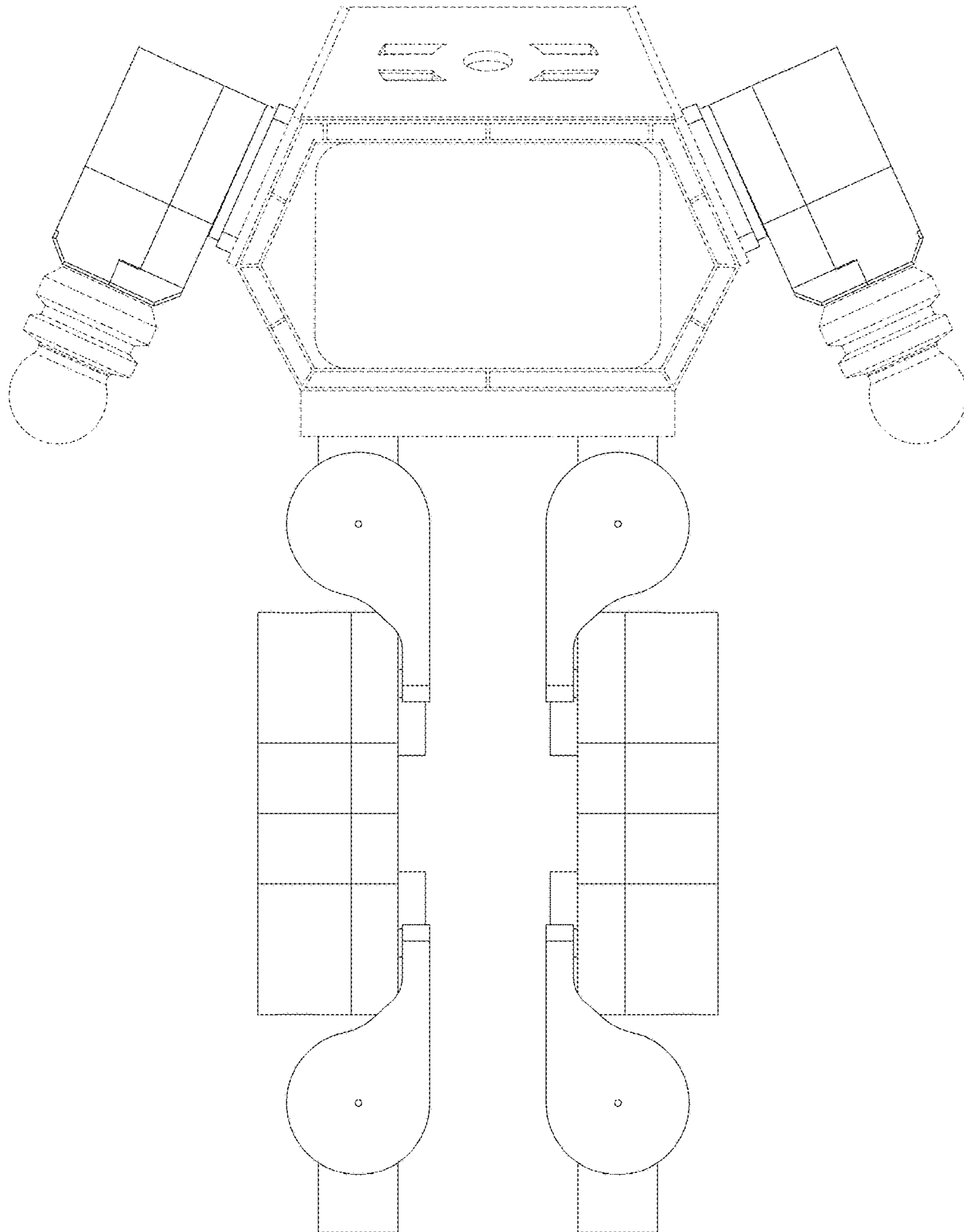


FIG.2

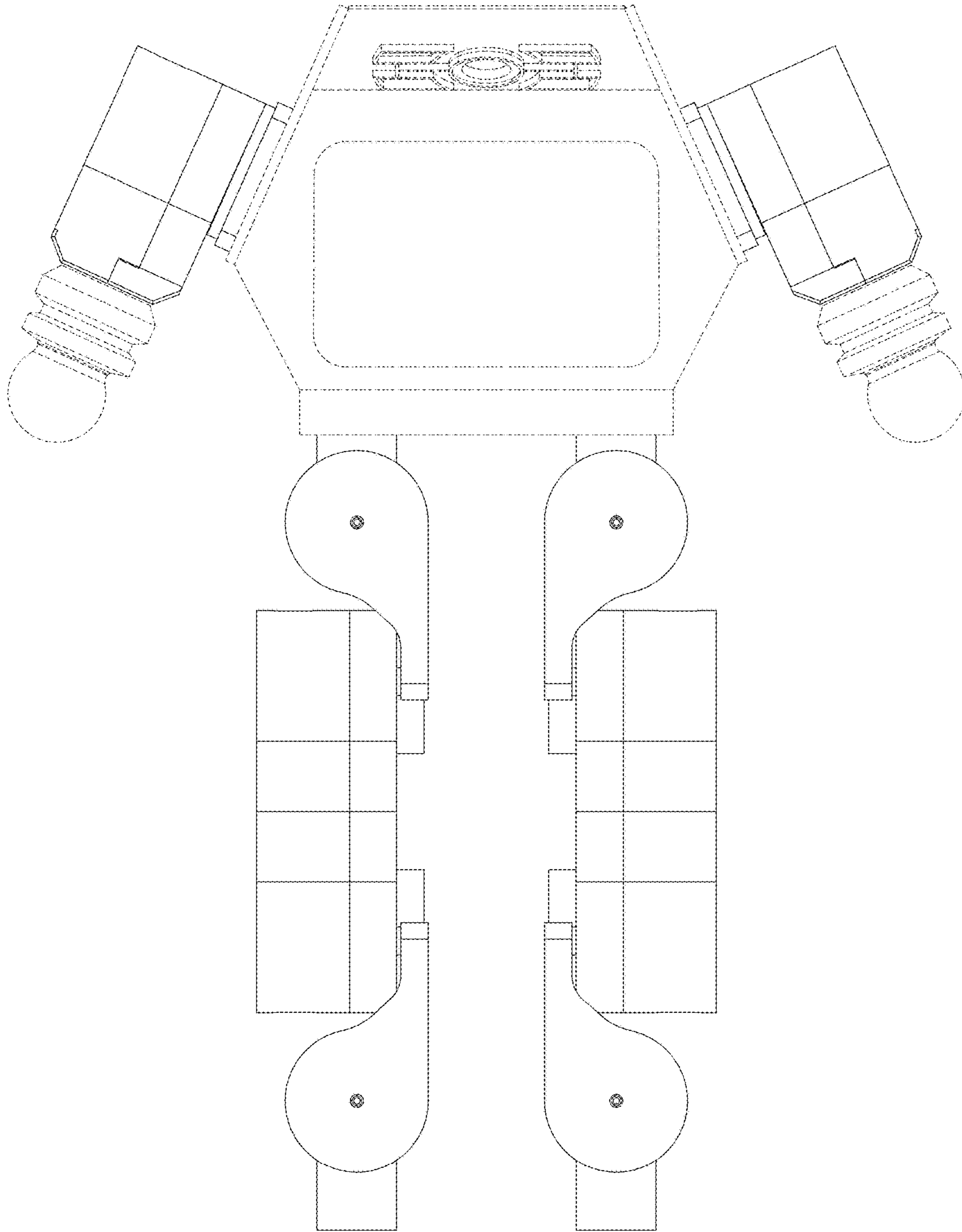


FIG.3

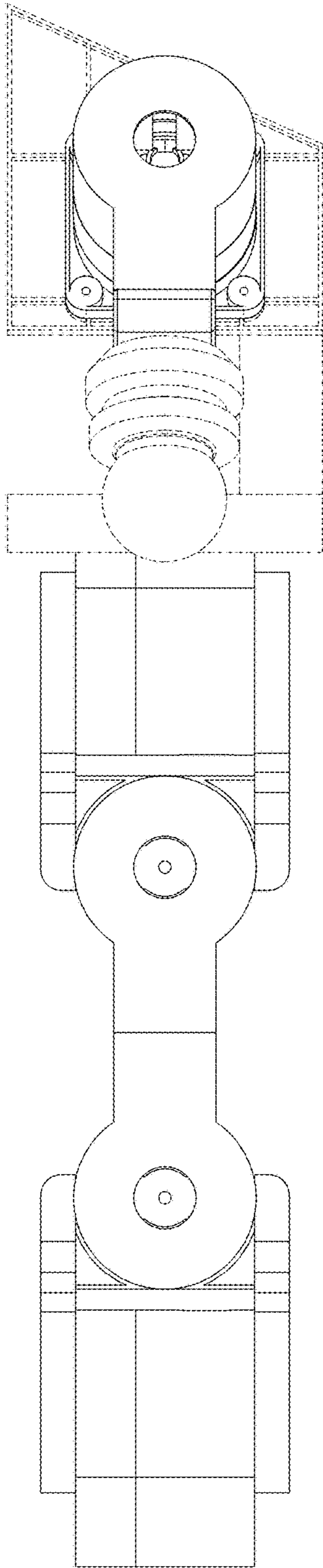


FIG.4

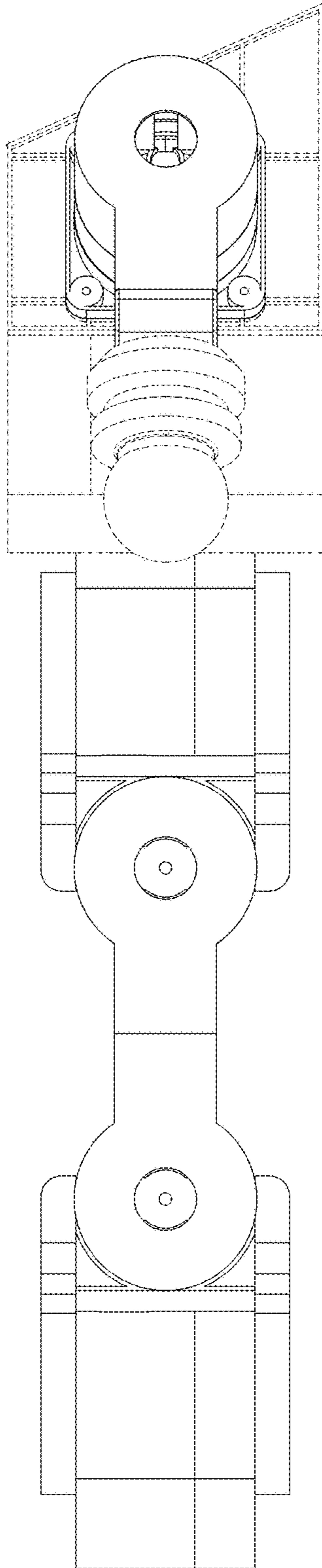


FIG.5

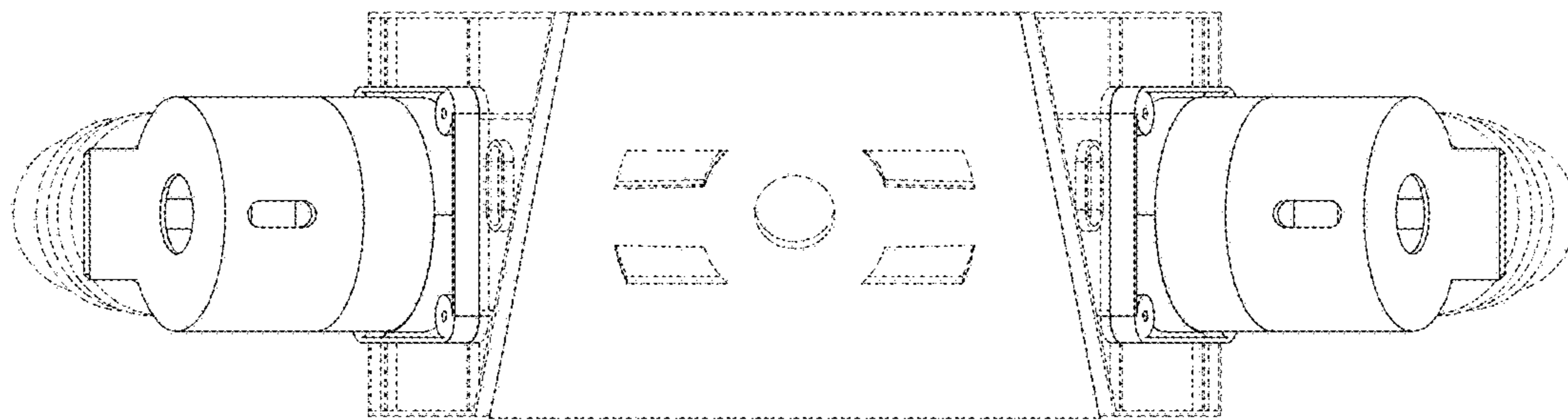


FIG. 6

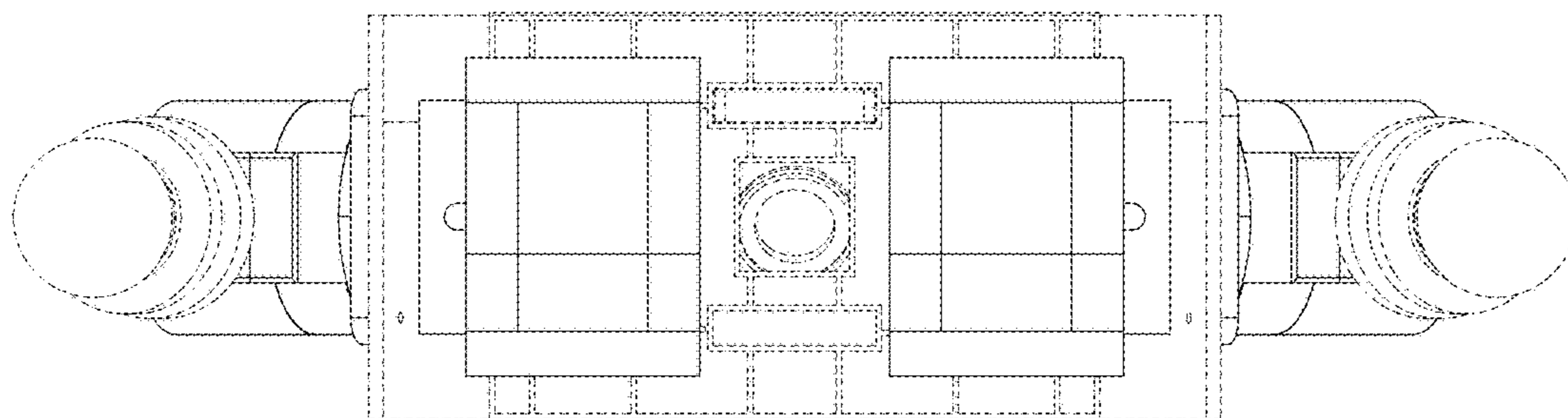


FIG. 7

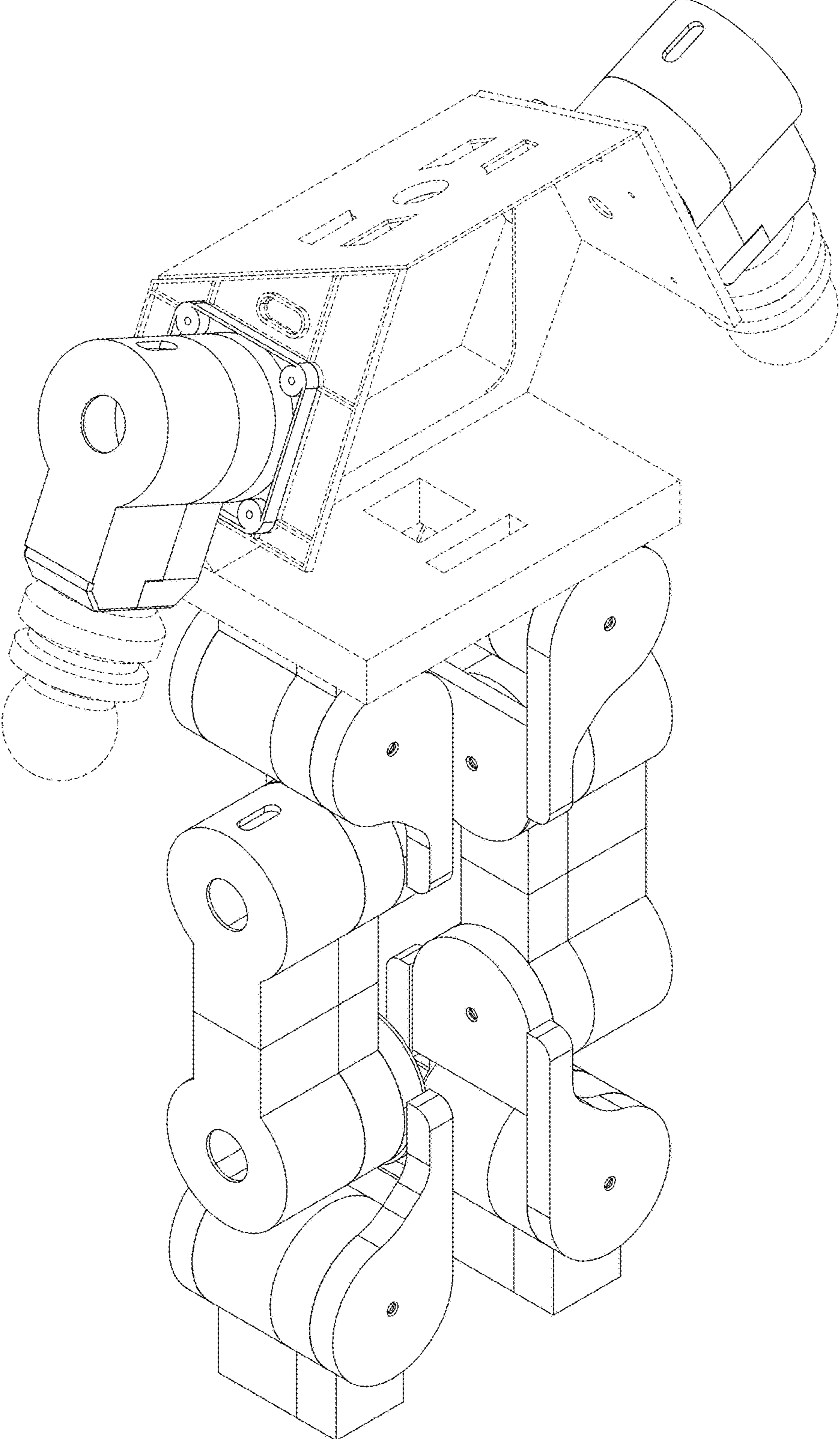


FIG.8