



US00D779595S

(12) **United States Design Patent**  
**Xiao**

(10) **Patent No.:** **US D779,595 S**

(45) **Date of Patent:** **\*\* Feb. 21, 2017**

- (54) **TOY AIRCRAFT**
- (71) Applicant: **Guangdong Syma Model Aircraft Industrial Co., Ltd**, Shantou, Guangdong (CN)
- (72) Inventor: **Jiongliang Xiao**, Guangdong (CN)
- (73) Assignee: **GUANGDONG SYMA MODEL AIRCRAFT INDUSTRIAL CO., LTD**, Shantou (CN)
- (\*\*) Term: **15 Years**
- (21) Appl. No.: **29/560,348**
- (22) Filed: **Apr. 6, 2016**
- (51) **LOC (10) Cl.** ..... **21-01**
- (52) **U.S. Cl.**  
USPC ..... **D21/441**; D12/16.1
- (58) **Field of Classification Search**  
USPC ..... D12/16.1, 319-345; D21/436, 441-444, D21/446-453  
CPC ..... B64C 1/062; B64C 39/024; B64C 27/08; B64C 29/00; B64C 39/00; B64C 23/00  
See application file for complete search history.

8,794,566	B2 *	8/2014	Hutson	.....	B64C 39/024	244/17.17
8,818,083	B2 *	8/2014	Jonchery	.....	A63H 27/12	382/103
8,958,928	B2 *	2/2015	Seydoux	.....	A63H 27/12	244/17.13
9,004,396	B1 *	4/2015	Colin	.....	B64D 47/08	244/17.23
D741,751	S *	10/2015	Klaptocz	.....	D12/16.1	
D751,025	S *	3/2016	Howell	.....	D12/16.1	
D761,690	S *	7/2016	Friesmuth	.....	D12/16.1	
2006/0226281	A1 *	10/2006	Walton	.....	B64C 29/0033	244/17.23
2007/0105474	A1 *	5/2007	Gotou	.....	A63H 27/02	446/37

(Continued)

(56) **References Cited**

**U.S. PATENT DOCUMENTS**

D189,462	S *	12/1960	Vogt	.....	D12/329	
7,472,863	B2 *	1/2009	Pak	.....	A63H 27/14	244/12.5
8,016,226	B1 *	9/2011	Wood	.....	B64C 29/0033	244/12.4
D648,809	S *	11/2011	Seydoux	.....	D21/441	
D659,771	S *	5/2012	Seydoux	.....	D21/441	
8,214,088	B2 *	7/2012	Lefebure	.....	A63H 27/12	244/189
8,662,438	B2 *	3/2014	Savoie	.....	A63H 27/12	244/17.11
D708,272	S *	7/2014	Schmelter	.....	D12/16.1	

**OTHER PUBLICATIONS**

Syma X14W FPV Real-Time—FPV Quadcopter by Syma. dated 2016. found online [Dec. 7, 2016]<http://www.symatoys.com/goodshow/x14w-syma-x14w-fpv-real-time.html>.\*

*Primary Examiner* — Robert M Spear  
*Assistant Examiner* — Marissa J Cash

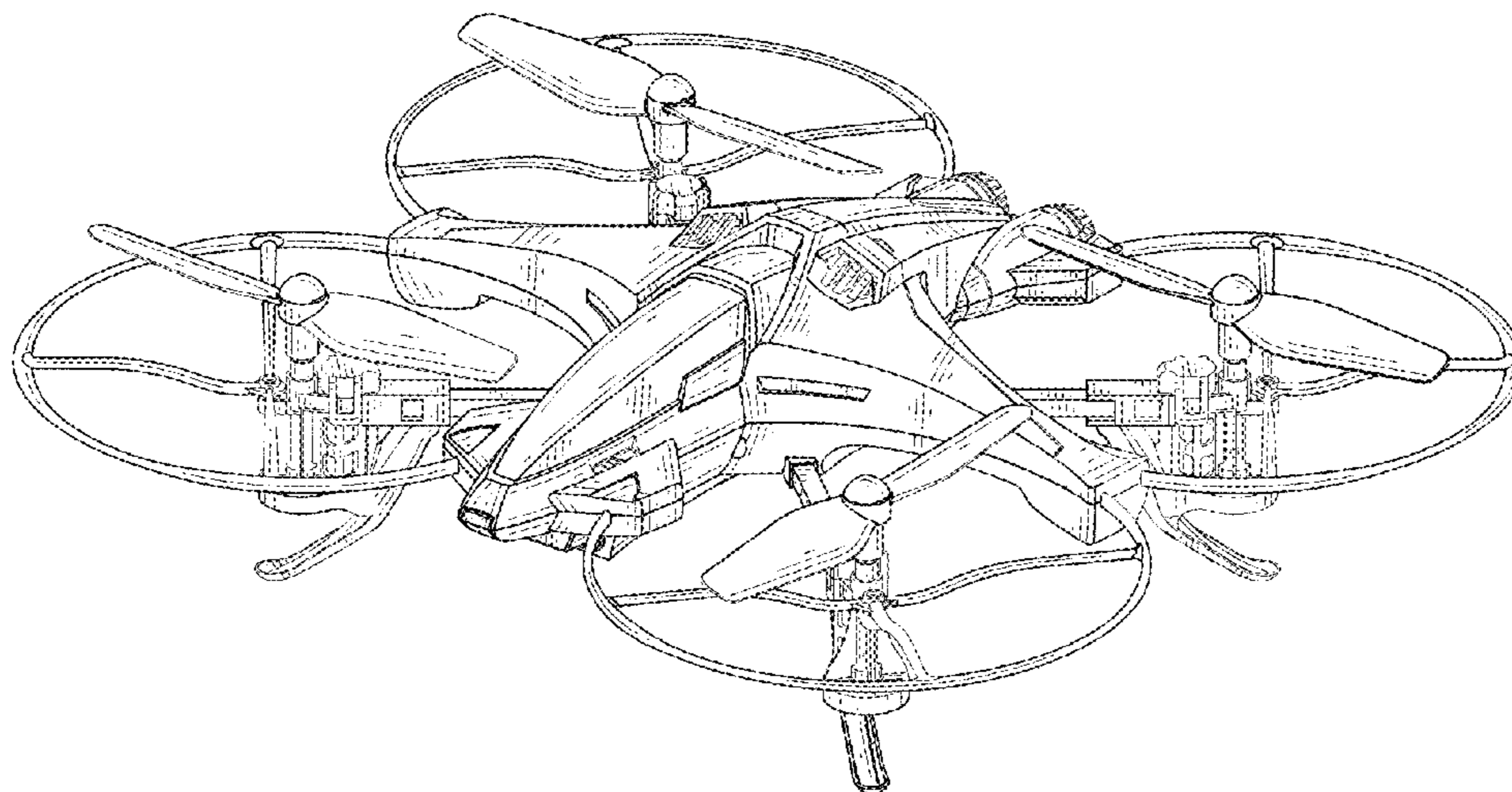
(57) **CLAIM**

The ornamental design for a toy aircraft, as shown and described.

**DESCRIPTION**

FIG. 1 is a first perspective view of a toy aircraft showing my new design;  
FIG. 2 is a second perspective view thereof;  
FIG. 3 is a front elevational view thereof;  
FIG. 4 is a rear elevational view thereof;  
FIG. 5 is a left side view thereof;  
FIG. 6 is a right side view thereof;  
FIG. 7 is a top plan view thereof; and,  
FIG. 8 is a bottom plan view thereof.

**1 Claim, 8 Drawing Sheets**



(56)

**References Cited**

U.S. PATENT DOCUMENTS

2008/0048065 A1\* 2/2008 Kuntz ..... A63H 17/00  
244/17.23  
2009/0283629 A1\* 11/2009 Kroetsch ..... A63H 27/12  
244/17.23  
2012/0241555 A1\* 9/2012 Savoye ..... A63H 27/12  
244/54  
2015/0148988 A1\* 5/2015 Fleck ..... G05D 1/0011  
701/2  
2016/0257400 A1\* 9/2016 Olm ..... B60F 5/02

\* cited by examiner

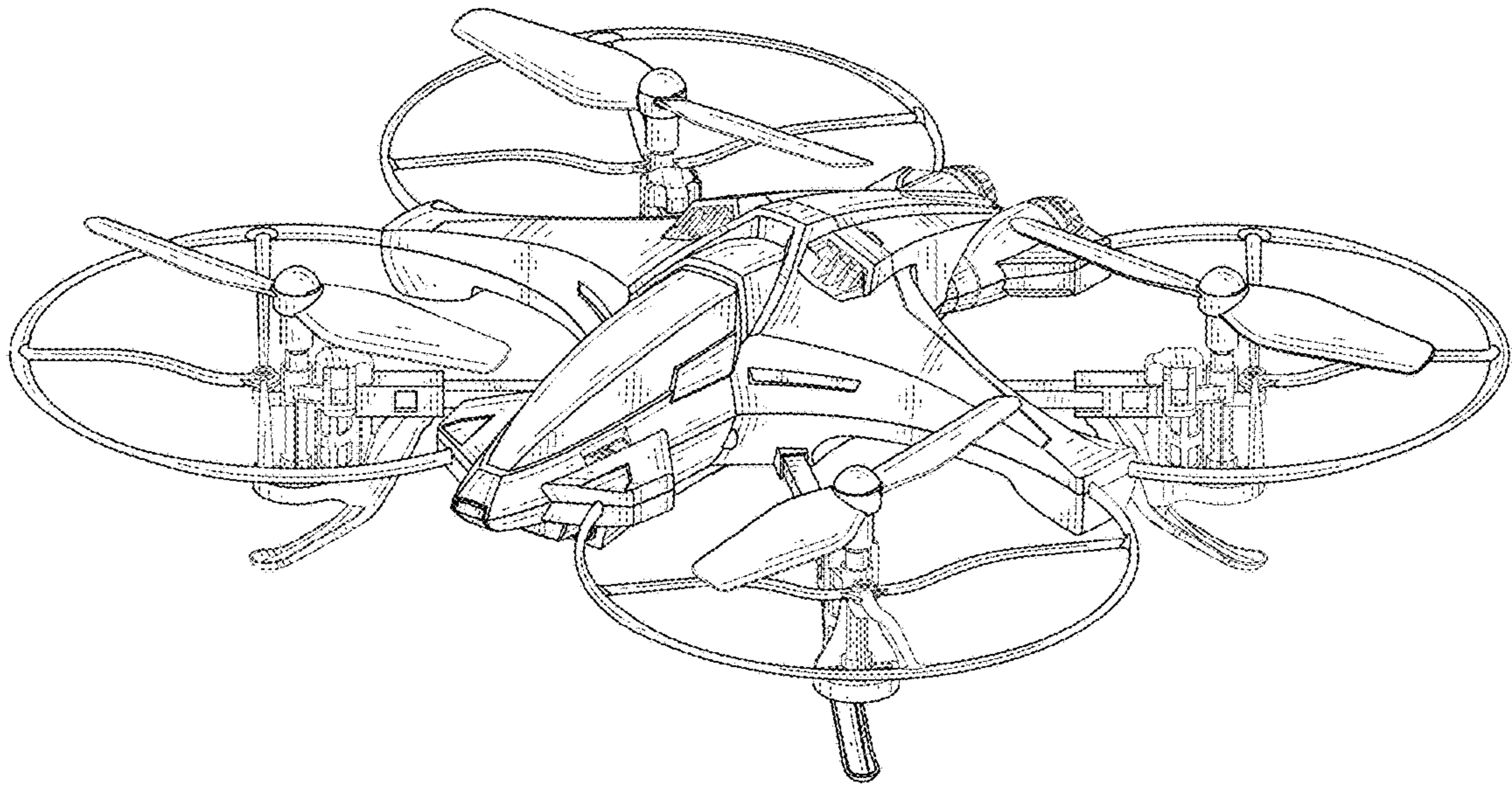


FIG. 1

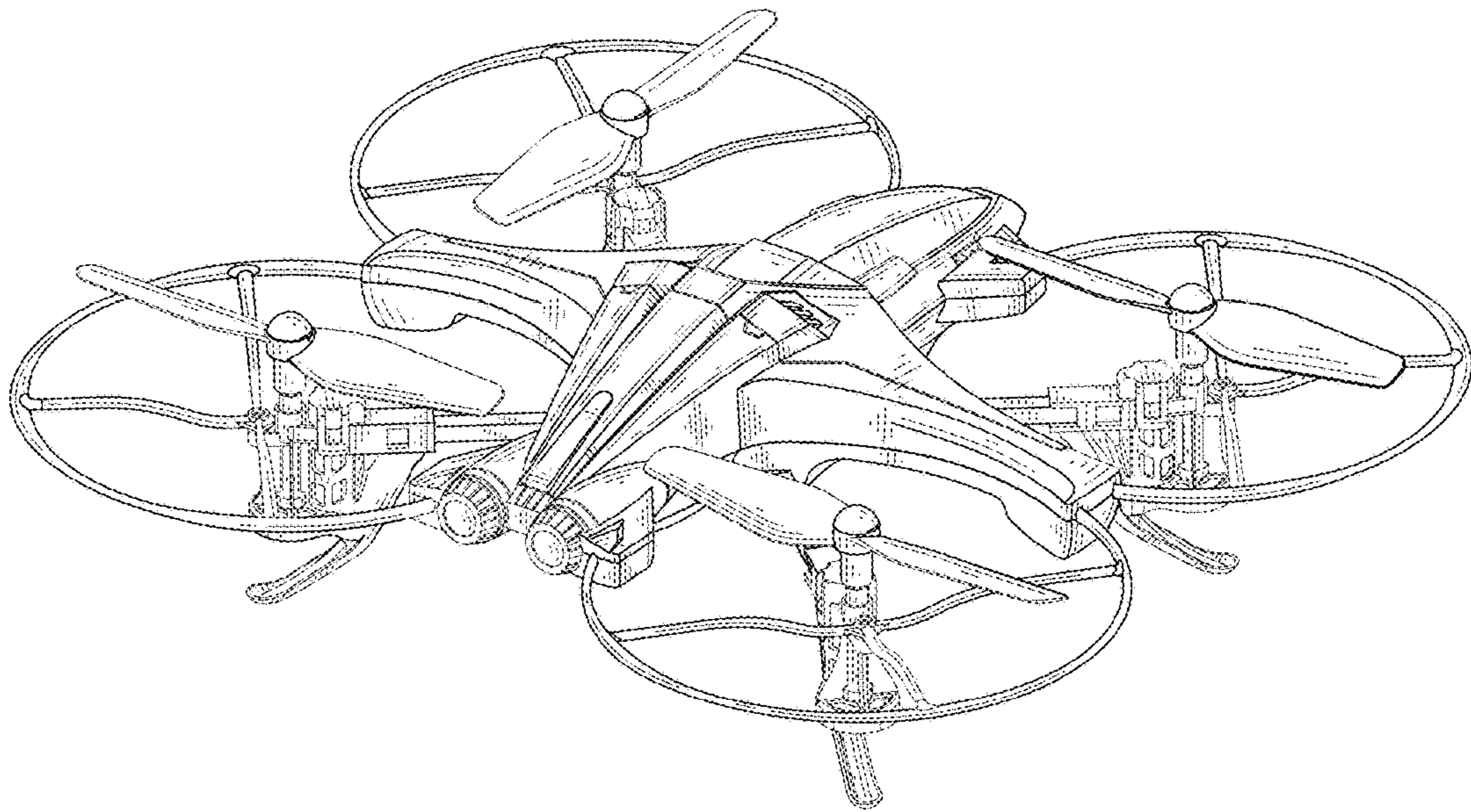


FIG. 2

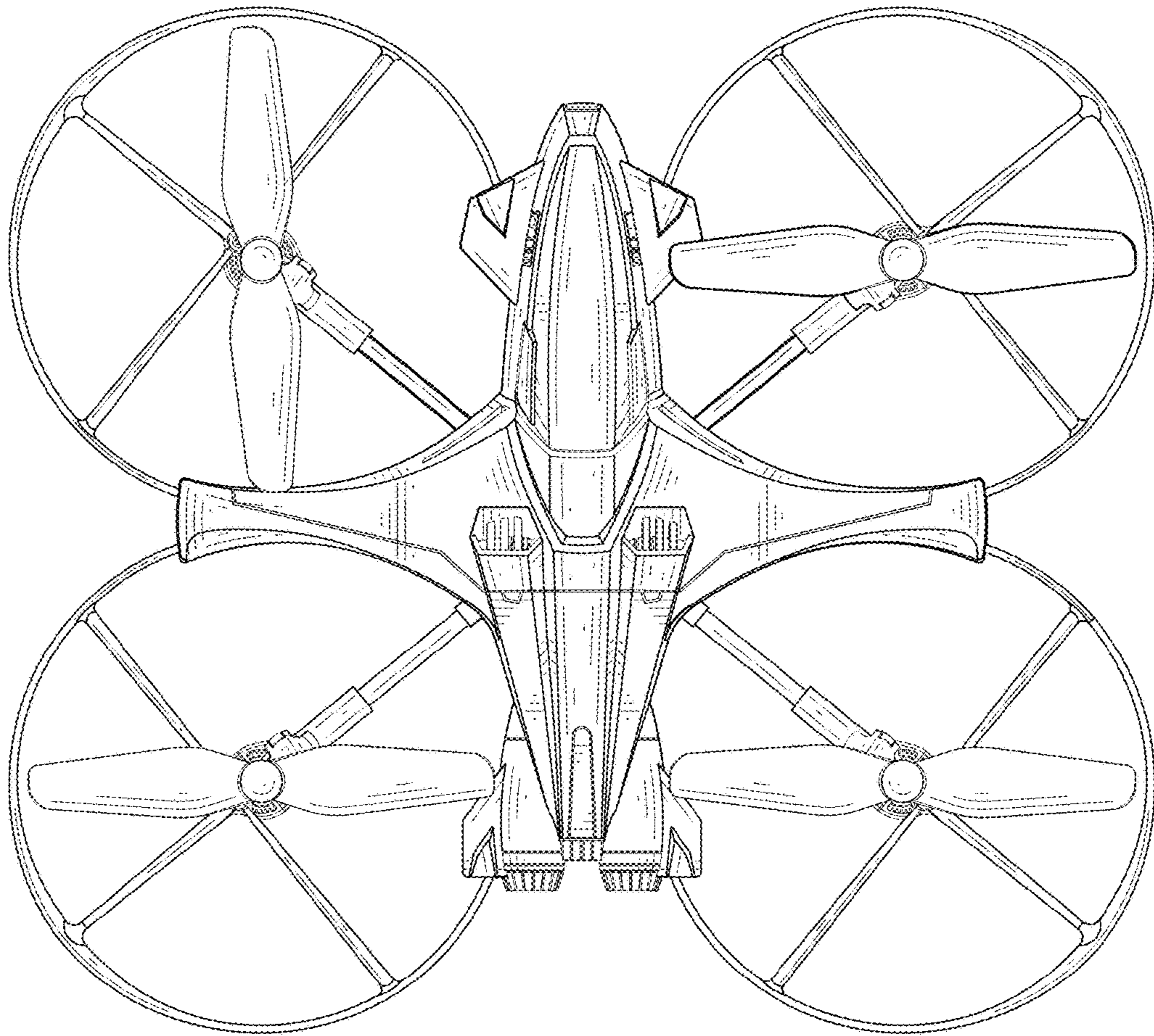


FIG. 3

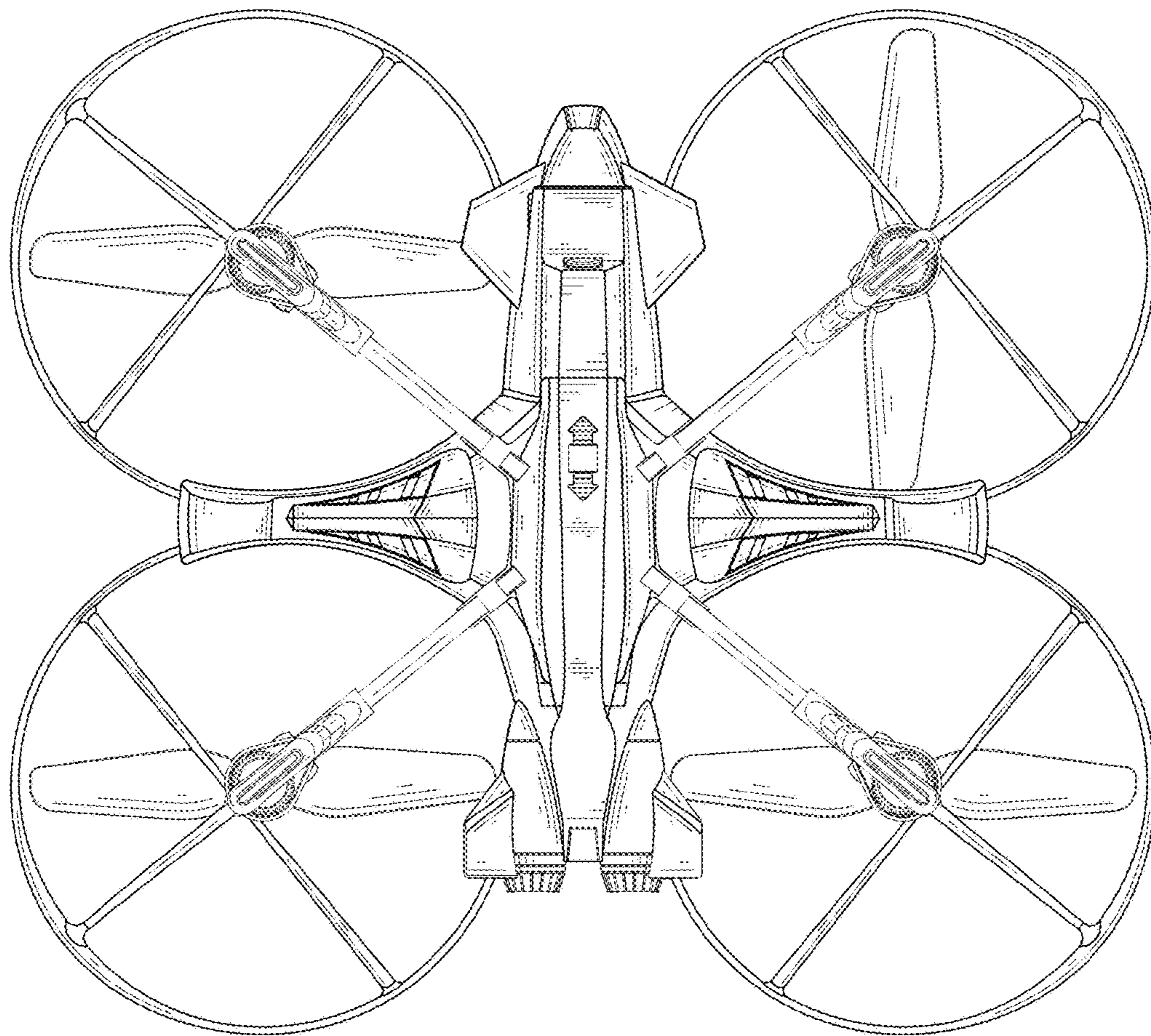


FIG. 4

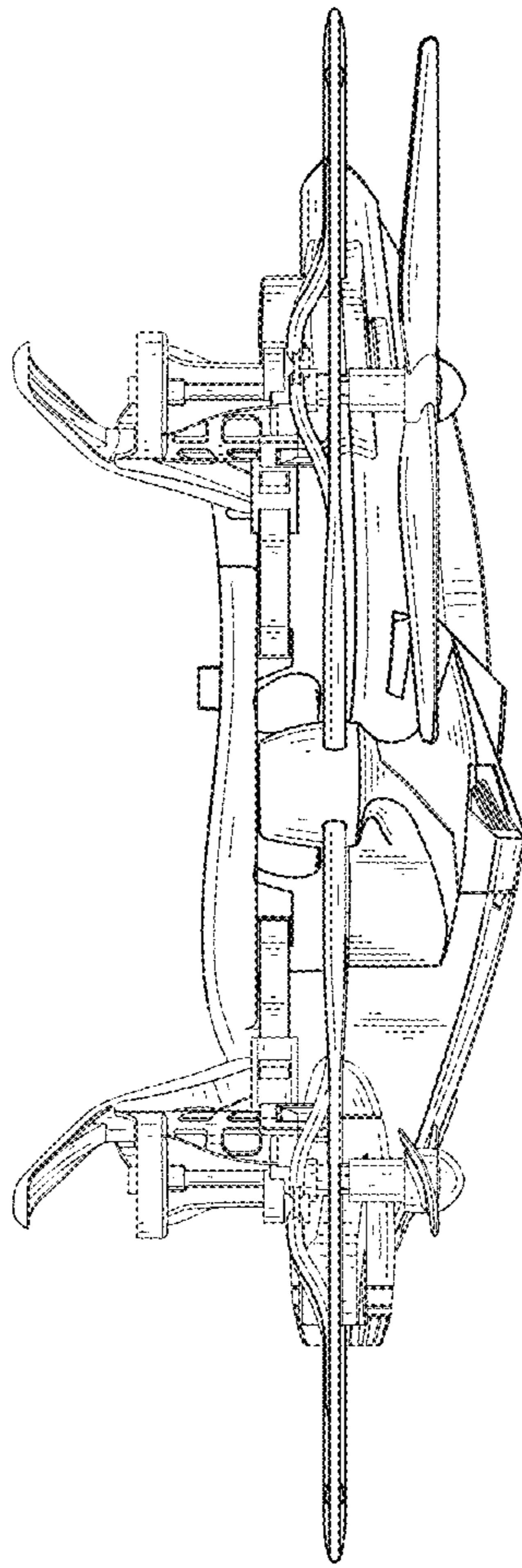


FIG. 5

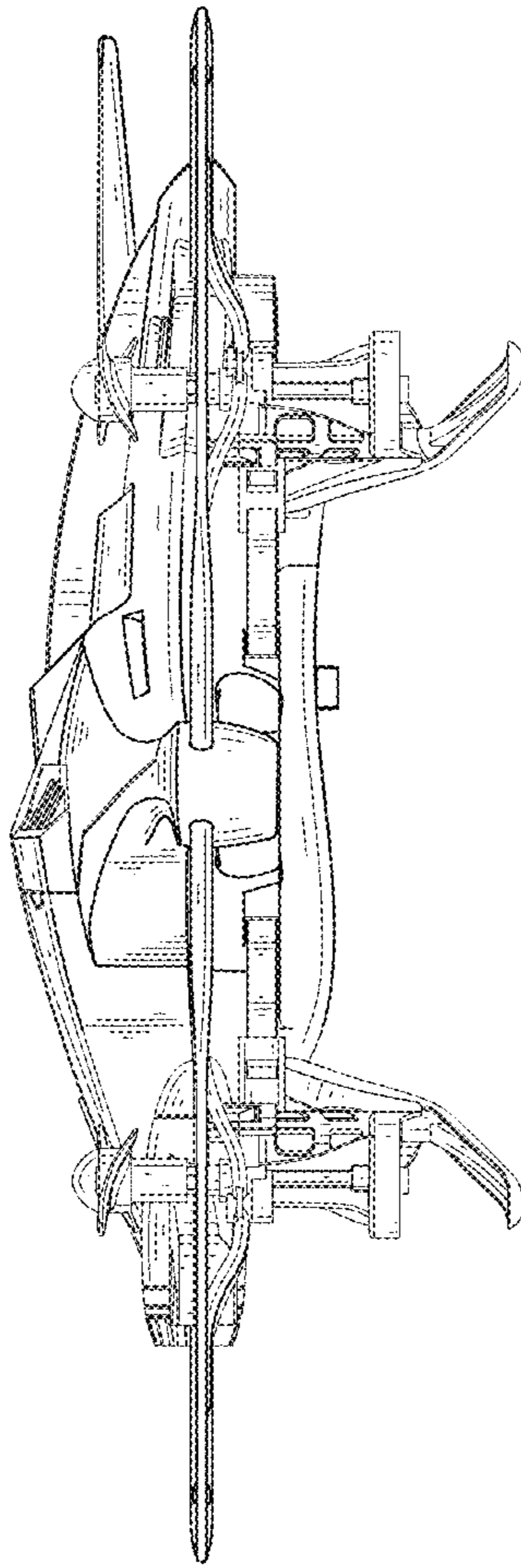


FIG. 6



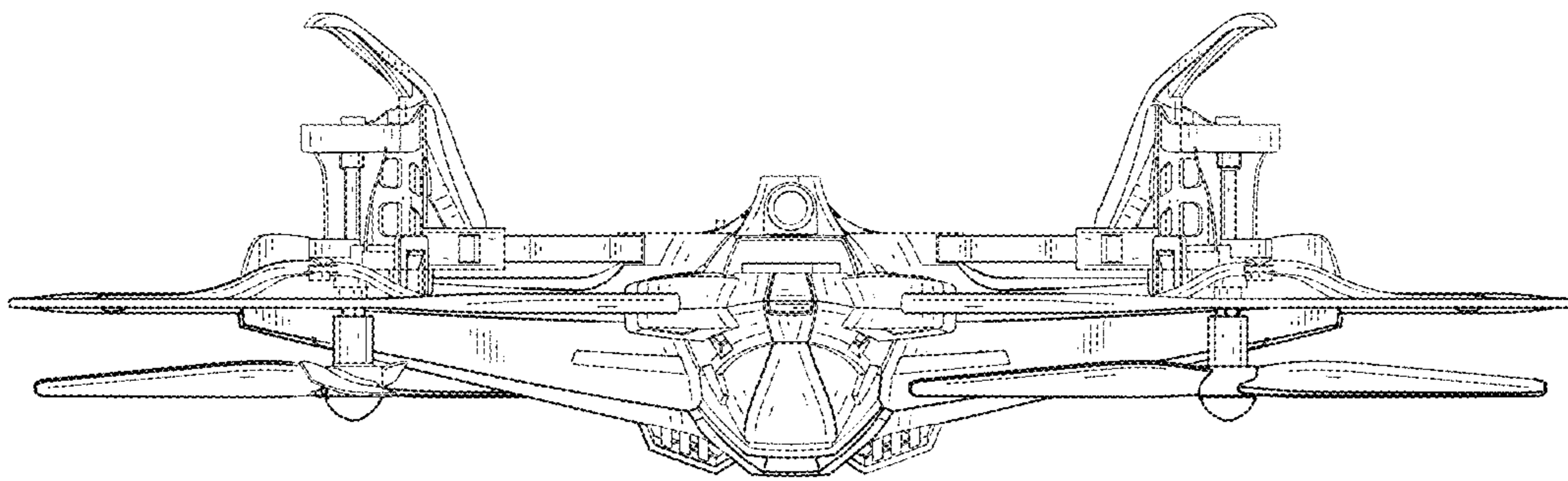


FIG. 7

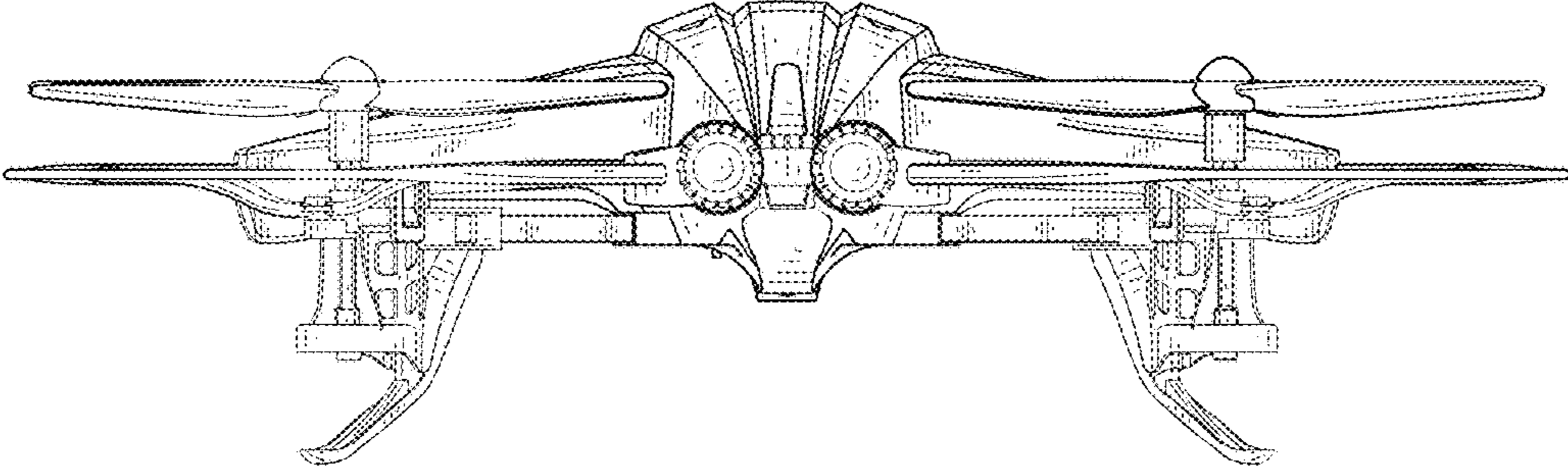


FIG. 8