



US00D779594S

(12) **United States Design Patent** (10) **Patent No.:** **US D779,594 S**
Lovley, II et al. (45) **Date of Patent:** **** Feb. 21, 2017**

(54) **SCOOTER CONNECTOR TUBING**
(71) Applicant: **BRAVO SPORTS**, Santa Fe Springs, CA (US)
(72) Inventors: **Jack B. Lovley, II**, Lake Forest, CA (US); **Joseph C. Klingl**, Los Angeles, CA (US); **Mark Groenhuyzen**, Huntington Beach, CA (US); **Kenneth Edlauer**, Newbury Park, CA (US)
(73) Assignee: **Bravo Sports**, Santa Fe Springs, CA (US)

4,460,057 A 7/1984 Kohyama
D291,211 S * 8/1987 Man D21/423
D292,221 S 10/1987 Mueller
D295,428 S 4/1988 Cummings
4,761,014 A * 8/1988 Huang B62K 3/002
280/255

(Continued)

FOREIGN PATENT DOCUMENTS

CN 102050182 A 5/2011
CN 202863656 4/2013

(Continued)

OTHER PUBLICATIONS

International Search Report; Application No. PCT/US2013/062931; Filed Oct. 1, 2013.

Primary Examiner — Cynthia M Chin
(74) *Attorney, Agent, or Firm* — Knobbe, Martens, Olson & Bear, LLP

(**) Term: **14 Years**
(21) Appl. No.: **29/501,638**
(22) Filed: **Sep. 5, 2014**

Related U.S. Application Data

(62) Division of application No. 29/455,239, filed on May 17, 2013, now Pat. No. Des. 712,980.
(51) **LOC (10) Cl.** **21-01**
(52) **U.S. Cl.**
USPC **D21/423**
(58) **Field of Classification Search**
USPC D21/419, 421, 423, 426, 769, 760, 765, D21/771, 803; 280/14.21, 14.25, 14.26, 280/87.041, 87.042, 87.05, 263, 288.1, 280/288.2, 288.4, 200, 214, 809; 180/180, 180/181
CPC B62K 3/002; B62K 9/00; B62K 9/02; B62K 13/00; B62K 13/04; B62K 2202/00
See application file for complete search history.

(57) **CLAIM**

The ornamental design for a scooter connector tubing, as shown and described.

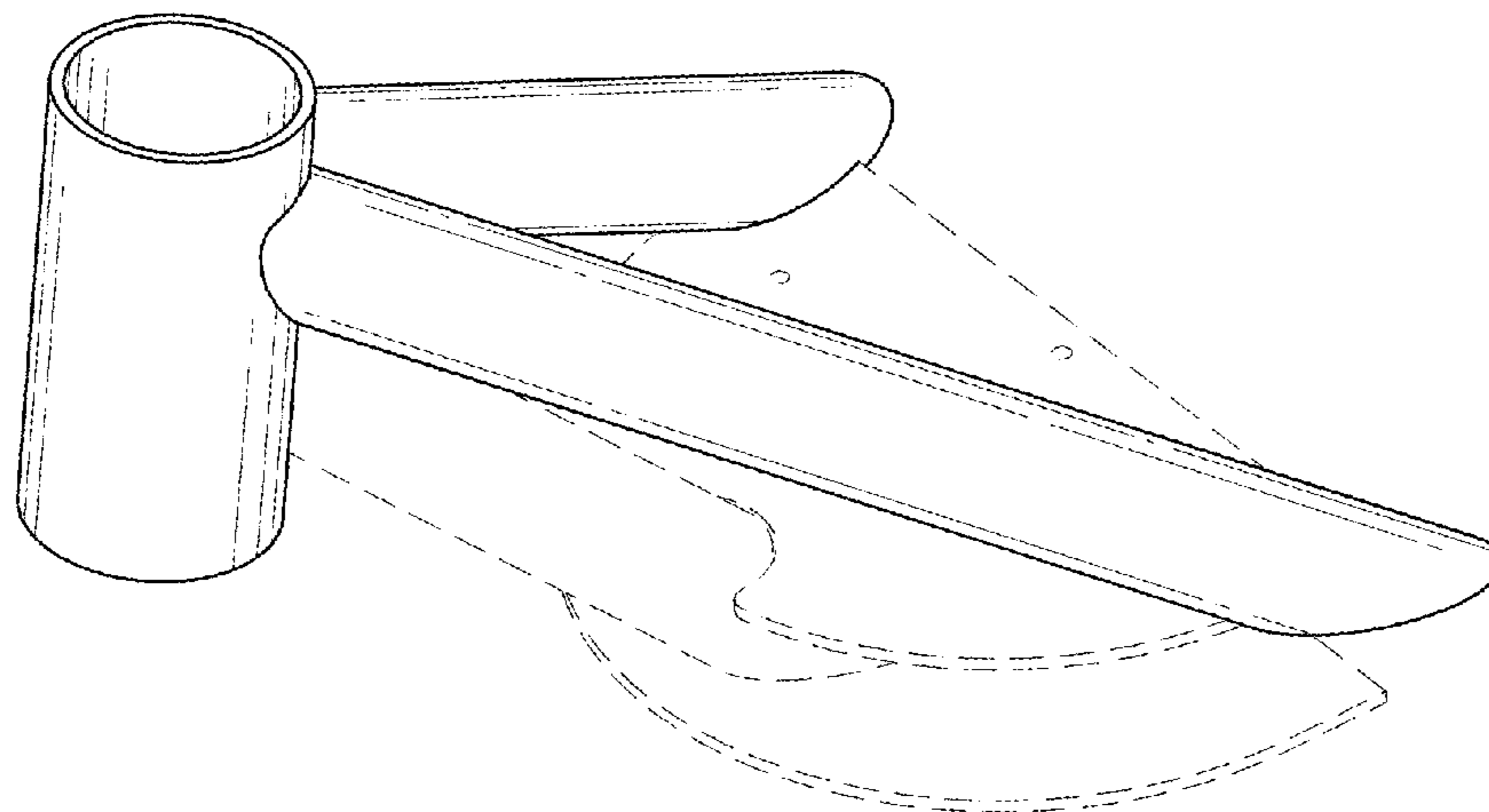
DESCRIPTION

FIG. 1 is a perspective view of a scooter connector tubing. FIG. 2 is a front elevational view of the scooter connector tubing of FIG. 1. FIG. 3 is a rear elevational view of the scooter connector tubing of FIG. 1. FIG. 4 is a left side elevational view of the scooter connector tubing of FIG. 1. FIG. 5 is a top plan view of the scooter connector tubing of FIG. 1; and, FIG. 6 is a bottom plan view of the scooter connector tubing of FIG. 1. The broken lines in the drawings are for illustrative purposes only and form no part of the claimed design.

(56) **References Cited**
U.S. PATENT DOCUMENTS

4,124,222 A * 11/1978 Moe B62K 3/002
280/221
4,315,569 A 2/1982 Jaeschke

1 Claim, 4 Drawing Sheets



(56)

References Cited

U.S. PATENT DOCUMENTS

4,799,701 A 1/1989 Lindau et al.
 4,799,702 A 1/1989 Wang
 D300,756 S 4/1989 Cummings
 D312,485 S 11/1990 Turner
 5,039,121 A * 8/1991 Holter B62K 5/02
 280/220
 5,214,944 A 6/1993 Wolthoff
 5,333,477 A 8/1994 Davis
 5,376,869 A 12/1994 Konrad
 D392,001 S * 3/1998 Chen D12/111
 5,775,452 A 7/1998 Patmont
 5,899,474 A 5/1999 Grutzik
 5,950,498 A 9/1999 Gossett et al.
 D437,363 S 2/2001 Chen
 6,250,656 B1 * 6/2001 Ibarra B62K 3/002
 280/62
 6,273,205 B1 8/2001 Tsai
 6,279,929 B1 8/2001 Fruechtenicht
 D448,429 S 9/2001 Chen
 6,286,843 B1 9/2001 Lin
 D449,860 S 10/2001 Lin
 6,299,186 B1 10/2001 Kao et al.
 D450,355 S 11/2001 Chan
 6,315,307 B1 11/2001 Chen
 D452,886 S 1/2002 Wang et al.
 D456,461 S 4/2002 Koch
 D457,574 S 5/2002 Chen
 6,382,366 B1 5/2002 Chang
 6,431,302 B2 8/2002 Patmont et al.
 D469,348 S 1/2003 Demus et al.
 D470,409 S 2/2003 Clarke et al.
 6,555,928 B1 4/2003 Mizuno
 D486,532 S 2/2004 Christianson
 D487,908 S 3/2004 Mayer et al.
 D492,367 S 6/2004 Dennis
 6,752,229 B2 6/2004 Ho
 D497,397 S 10/2004 Sramek
 D516,132 S 2/2006 Sramek
 6,997,022 B1 2/2006 DeMange
 7,044,488 B1 * 5/2006 Hamend B62K 3/002
 280/221
 D528,168 S * 9/2006 Iavarone D21/423
 D533,601 S 12/2006 Moreira
 7,267,352 B2 9/2007 Ishikawa
 7,278,520 B2 10/2007 Kim
 D564,037 S 3/2008 Cramer et al.
 7,441,914 B2 10/2008 Palmer
 D581,991 S 12/2008 Armand et al.
 7,819,245 B1 10/2010 Singh et al.
 7,886,901 B1 2/2011 Singh et al.
 7,937,975 B2 5/2011 Kolton et al.
 D648,402 S 11/2011 Wang
 D651,659 S 1/2012 Scolari et al.
 D654,962 S 2/2012 Scolari et al.
 D654,965 S 2/2012 Herlitz et al.
 8,162,090 B2 4/2012 Atherton et al.
 8,167,074 B1 5/2012 Tsiyoni
 D672,400 S 12/2012 Pizzi
 8,322,735 B2 12/2012 Steinbach
 D693,414 S 11/2013 Hadley et al.

8,613,458 B2 12/2013 Ghisolfi et al.
 D698,868 S 2/2014 Chan
 8,662,508 B2 3/2014 Grossman
 D710,949 S 8/2014 Huang
 8,813,892 B2 8/2014 Hadley
 D714,396 S 9/2014 Talios et al.
 8,864,152 B1 * 10/2014 Danze B62K 3/002
 280/87.041
 9,045,189 B2 6/2015 Lovley, II et al.
 9,051,017 B2 6/2015 Scolari
 D736,324 S 8/2015 Lu
 9,101,222 B2 8/2015 Minkoff
 9,168,965 B2 10/2015 Lovley, II et al.
 9,175,496 B2 11/2015 Darquea
 9,193,332 B2 11/2015 Gillan et al.
 D750,180 S * 2/2016 Edlauer D21/423
 D755,305 S 5/2016 Edlauer et al.
 D756,464 S 5/2016 Edlauer
 2002/0070519 A1 * 6/2002 Rappaport B62K 3/002
 280/87.041
 2002/0117825 A1 8/2002 Ho
 2002/0170763 A1 11/2002 Townsend
 2003/0127822 A1 * 7/2003 Fleck B62K 3/002
 280/259
 2004/0012166 A1 * 1/2004 Reginato B62K 3/002
 280/87.041
 2004/0026144 A1 2/2004 Lan
 2004/0079571 A1 4/2004 Laver et al.
 2005/0092538 A1 5/2005 Baldwin et al.
 2005/0230930 A1 10/2005 Chung
 2006/0266570 A1 11/2006 Roth et al.
 2007/0187164 A1 8/2007 Yang
 2008/0203691 A1 8/2008 Hsu
 2009/0200768 A1 8/2009 Armand et al.
 2010/0013183 A1 1/2010 He
 2011/0006500 A1 1/2011 Rush
 2011/0031711 A1 2/2011 Grossman
 2011/0056177 A1 3/2011 Goto
 2011/0068554 A1 3/2011 Armand et al.
 2012/0018967 A1 1/2012 Chen
 2012/0048636 A1 3/2012 Huang
 2012/0181765 A1 7/2012 Hill
 2012/0234446 A1 9/2012 Brown
 2013/0256048 A1 10/2013 Chen
 2013/0269473 A1 10/2013 Ierfone
 2014/0175768 A1 6/2014 Talavasek et al.
 2015/0166138 A1 6/2015 Lovley, II et al.
 2015/0166141 A1 6/2015 Lovley, II et al.
 2015/0266534 A1 9/2015 Lovley, II et al.

FOREIGN PATENT DOCUMENTS

CN 203306176 11/2013
 CN 203473137 U 3/2014
 CN 203544249 U 4/2014
 EP 0 570 653 11/1996
 EP 1 982 881 10/2008
 EP 2 127 965 12/2009
 FR 2 555 908 6/1985
 GB 2466241 6/2010
 WO WO 2004/048168 6/2004

* cited by examiner

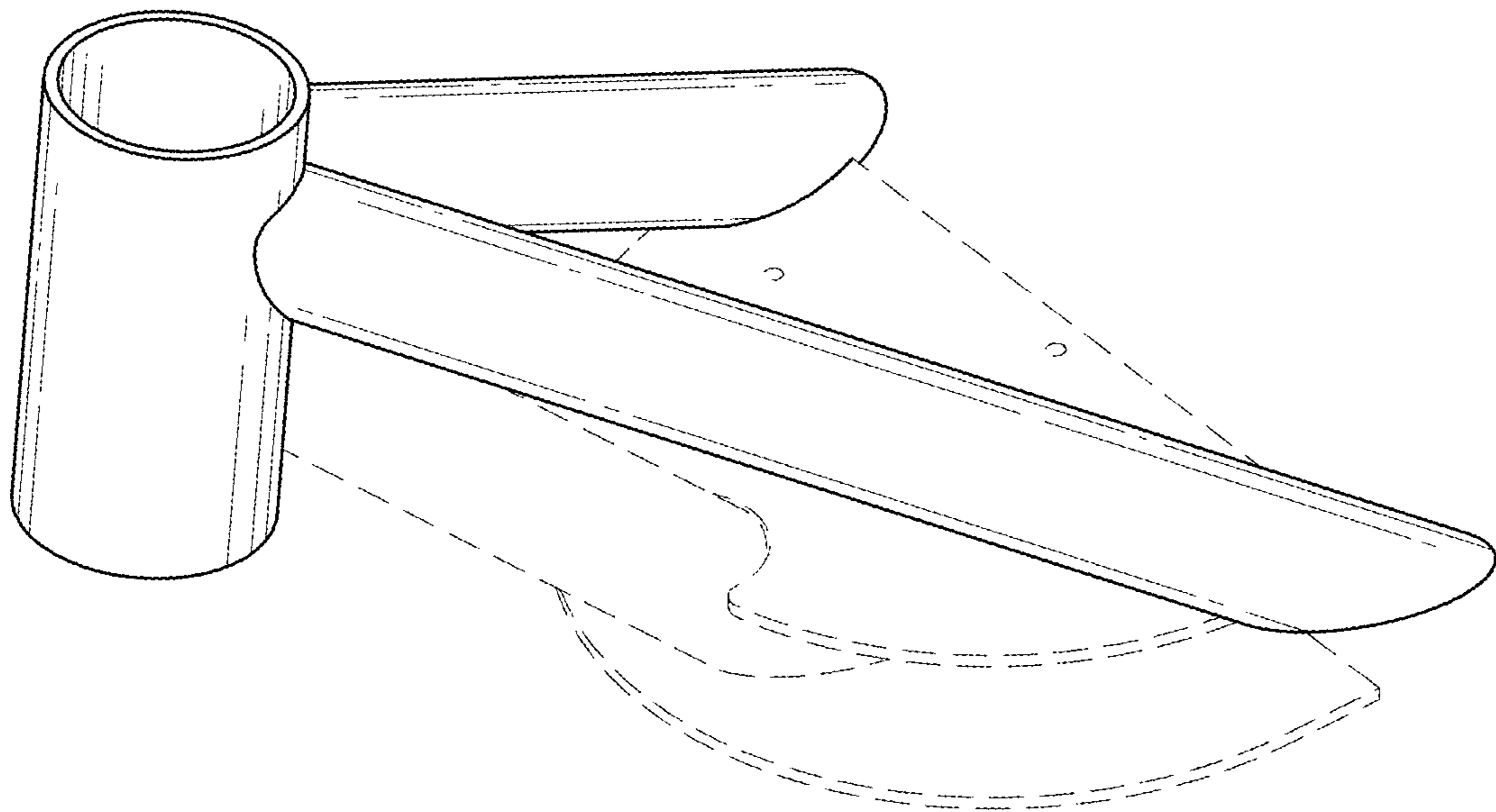


FIG. 1

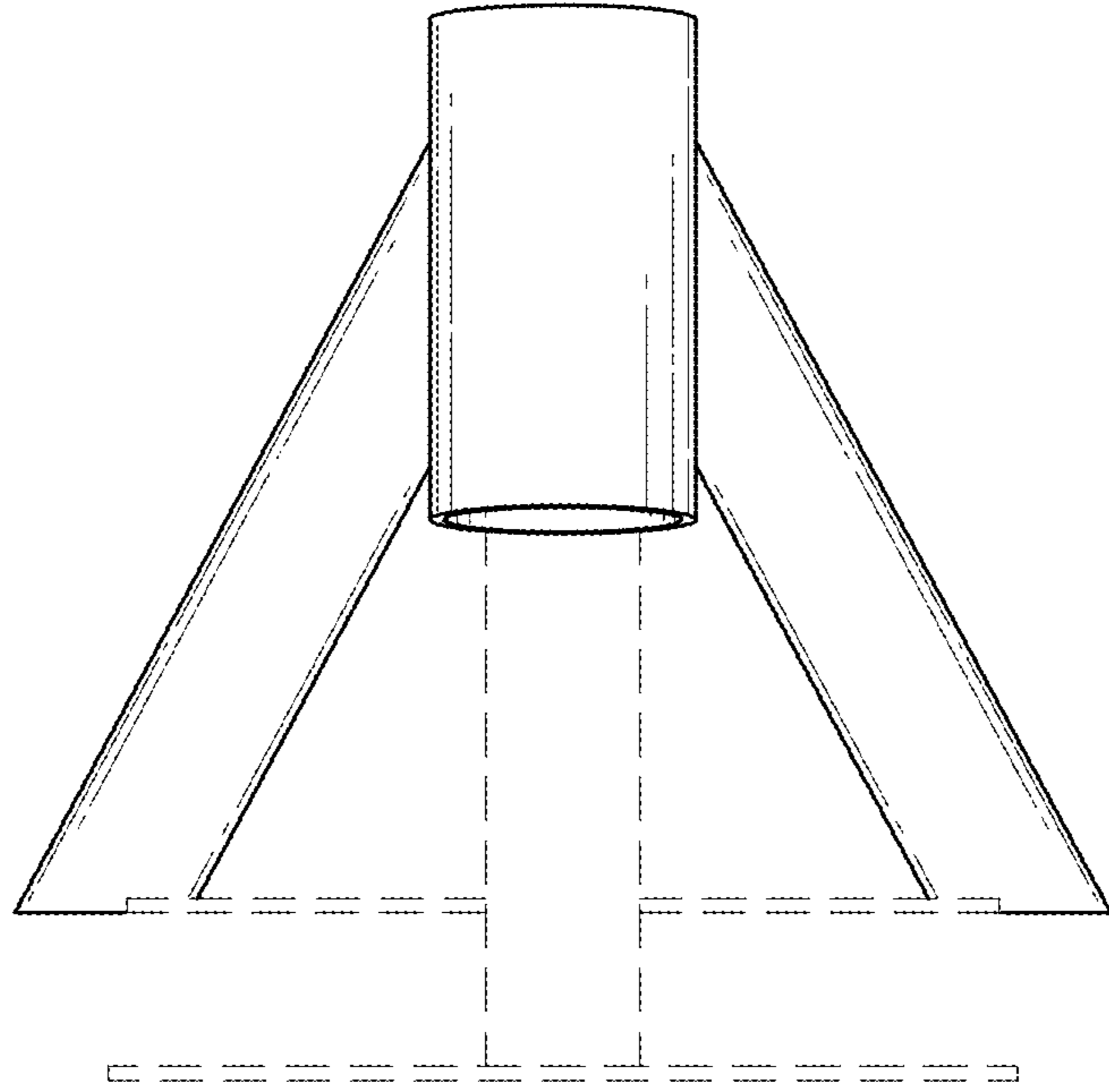


FIG. 2

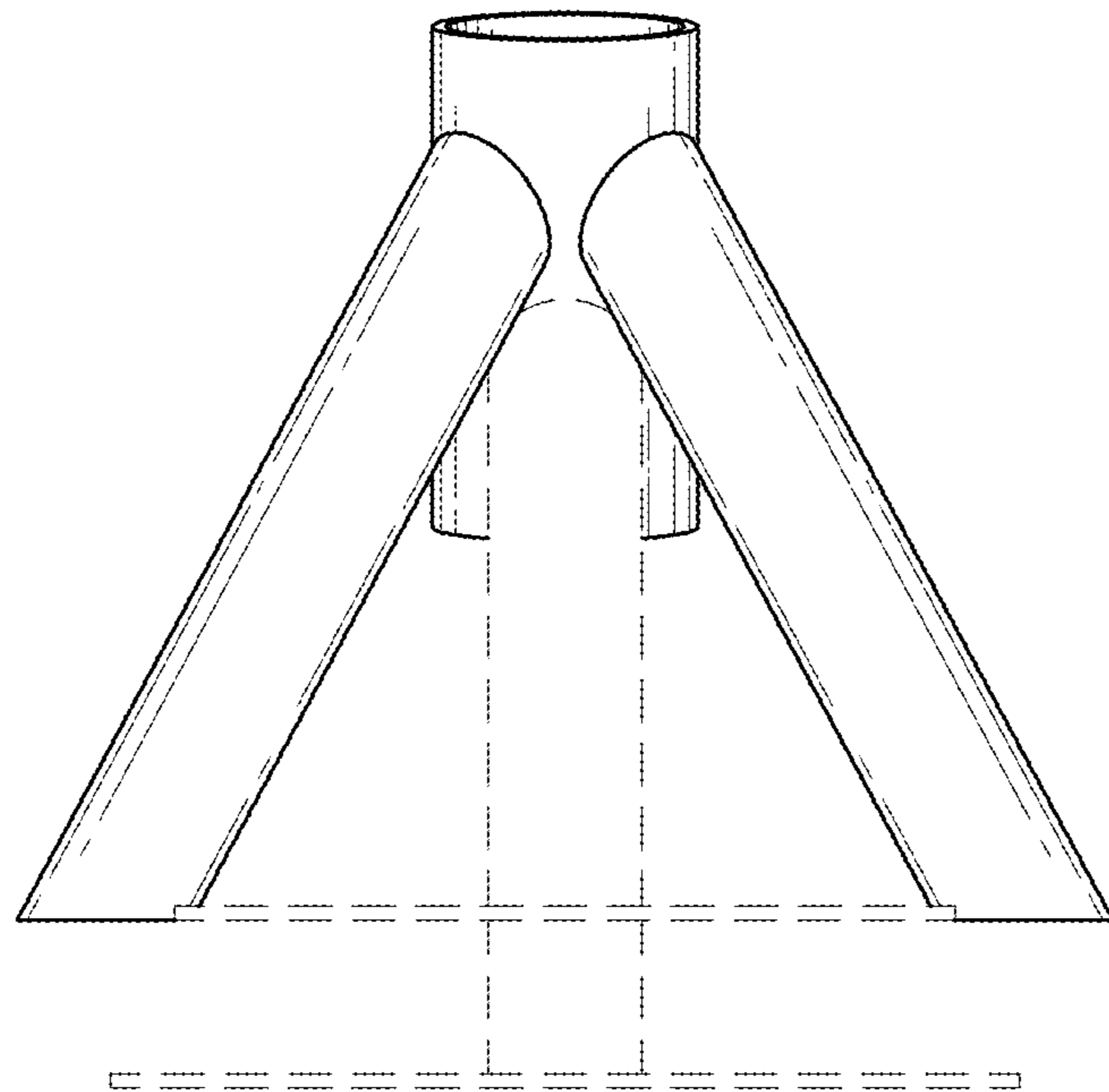


FIG. 3

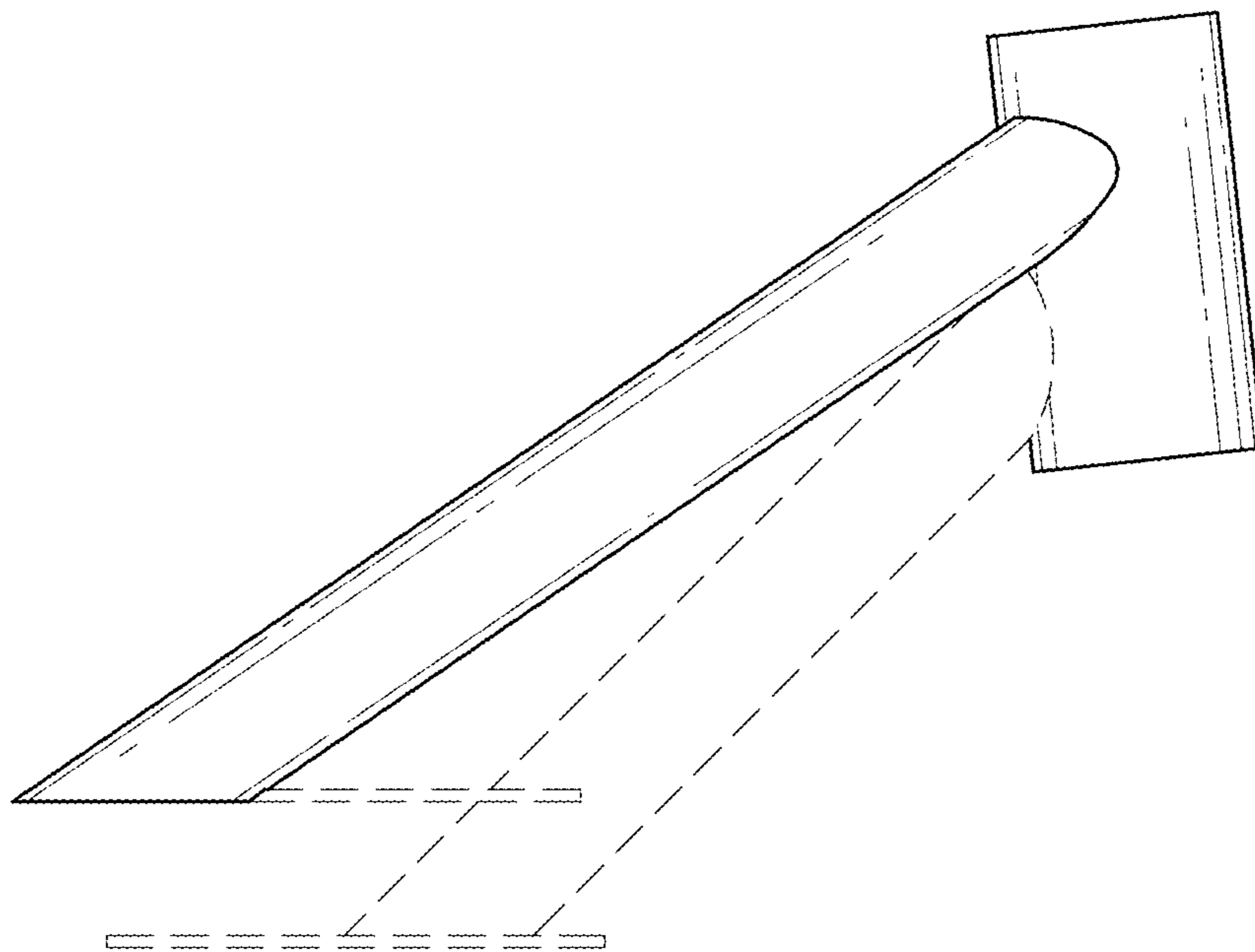


FIG. 4

FIG. 5

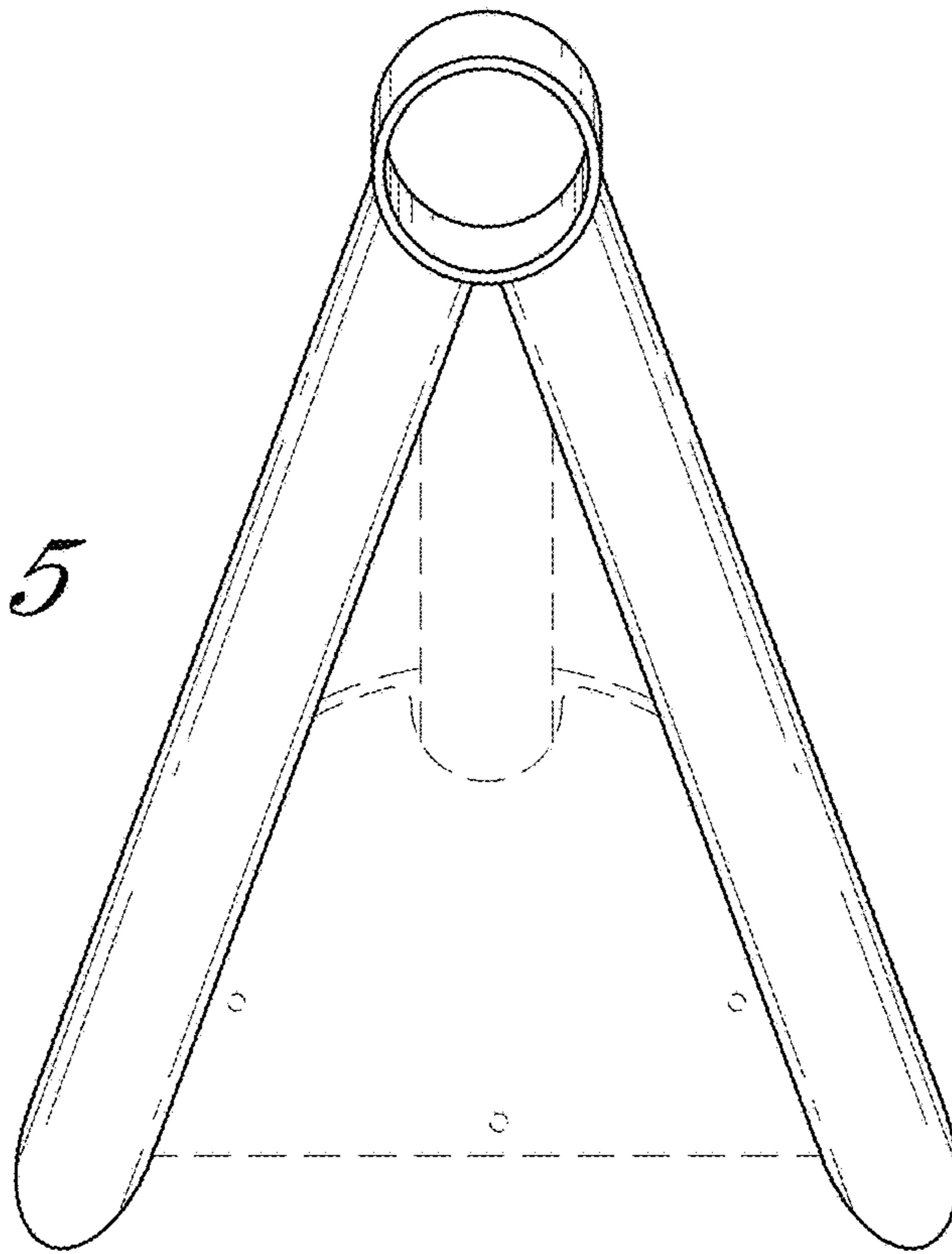


FIG. 6

