



US00D779591S

(12) **United States Design Patent**
Cepress

(10) **Patent No.:** **US D779,591 S**

(45) **Date of Patent:** **** Feb. 21, 2017**

(54) **PAYMENT CARD**

(71) Applicant: **CAPITAL ONE FINANCIAL CORPORATION**, McLean, VA (US)

(72) Inventor: **Carl Cepress**, Santa Clara, CA (US)

(73) Assignee: **Capital One Financial Corporation**, McLean, VA (US)

(**) Term: **15 Years**

(21) Appl. No.: **29/527,734**

(22) Filed: **May 21, 2015**

(51) **LOC (10) Cl.** **19-08**

(52) **U.S. Cl.**
USPC **D19/10**

(58) **Field of Classification Search**
USPC D19/1-10, 20-34; 40/124.01-124.15, 40/661, 776, 726; 283/72, 75-76, 283/105-107, 82, 70, 904, 74; 206/449; D21/385; D20/10-11, 22, 27, 40, 42; 360/2; 235/380, 382
CPC B42D 15/00; B42D 15/022; B42D 15/027; B42D 15/045; B42D 15/047; B42D 25/00; B42D 25/20; B42D 25/23; B42D 25/26; B42D 25/29; B42D 25/30; B42D 25/40; B42D 25/22; B42D 2033/02; B42D 2033/04; B42D 2033/08; B42D 2033/10; B42D 2033/16; B42D 2033/18; B42D 2033/20; B42D 2033/28; B42D 2033/30
See application file for complete search history.

(56) **References Cited**

U.S. PATENT DOCUMENTS

D480,754 S * 10/2003 Berger D19/1
D559,905 S * 1/2008 Halbur D19/9

D568,388 S * 5/2008 Hammad D14/436
D569,425 S * 5/2008 Law D14/436
D571,856 S * 6/2008 Hammad D14/436
D575,332 S * 8/2008 Parker D19/9
D599,849 S * 9/2009 Halbur D19/10
D624,962 S * 10/2010 Lazarowicz D19/9
D634,780 S * 3/2011 Schumann D19/9
D690,767 S * 10/2013 Lindley D19/9
D724,660 S * 3/2015 Sippola D19/10

* cited by examiner

Primary Examiner — Abraham Bahta

(74) *Attorney, Agent, or Firm* — Finnegan, Henderson, Farabow, Garrett & Dunner LLP

(57) **CLAIM**

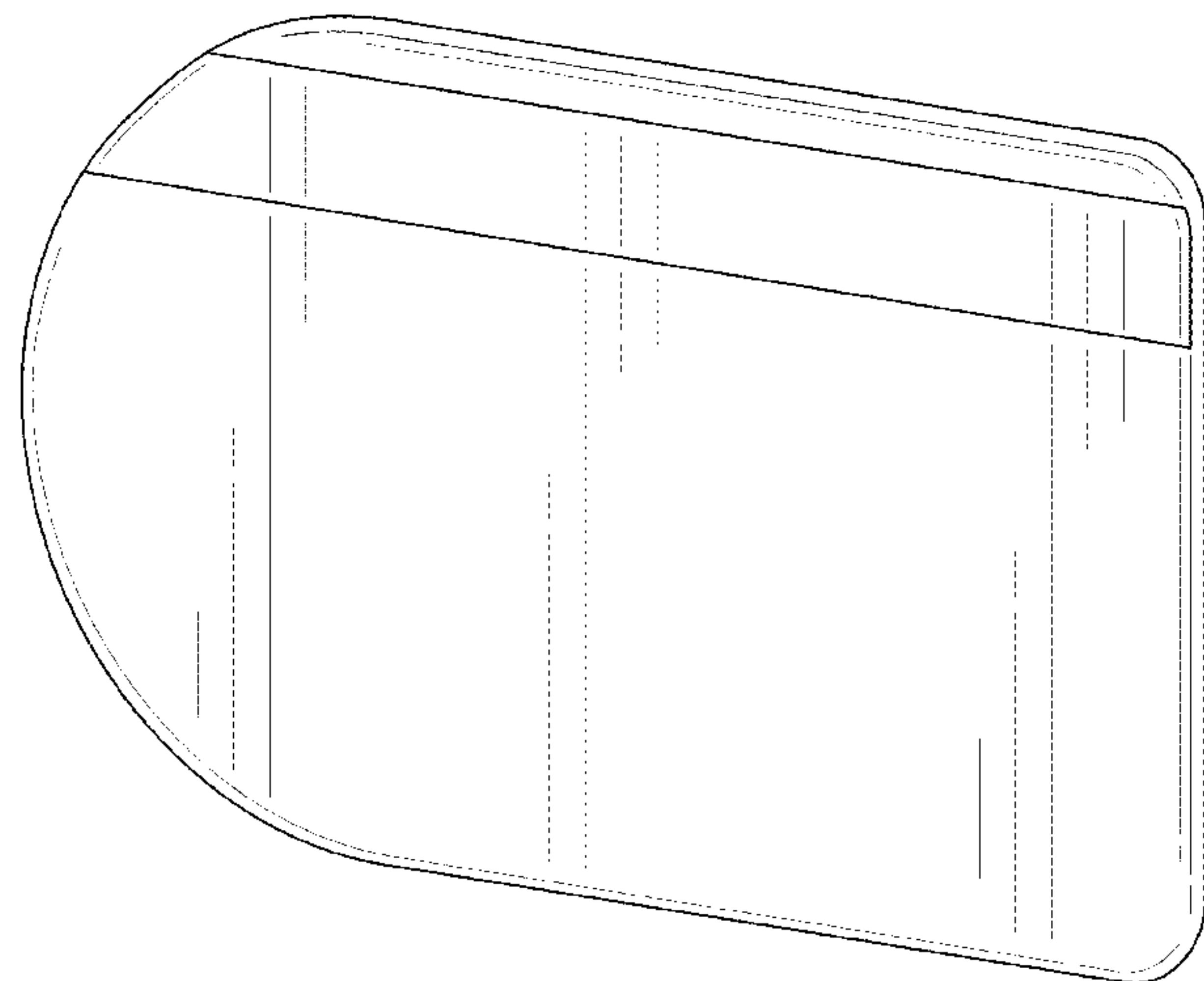
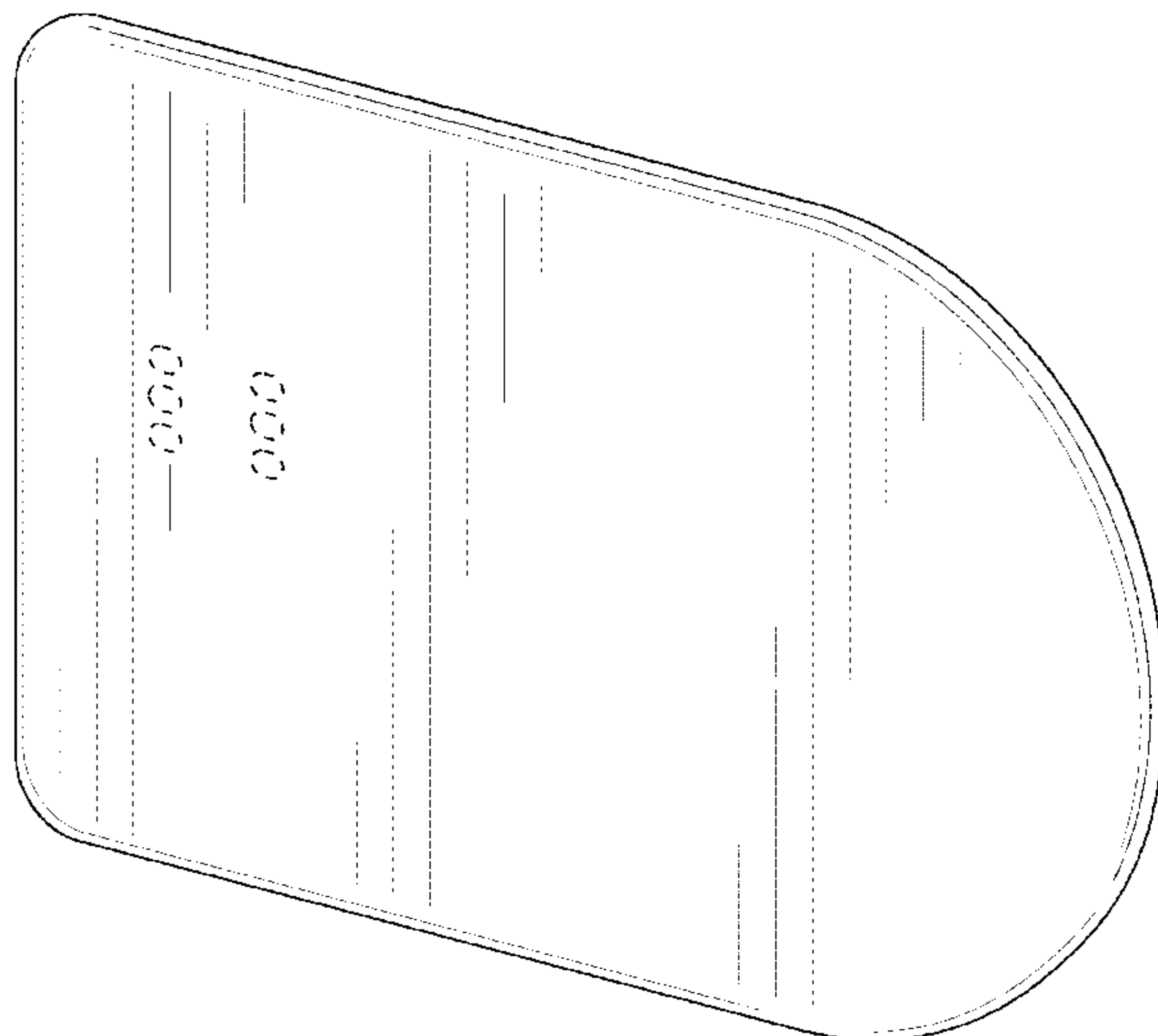
The ornamental design for a payment card, as shown and described.

DESCRIPTION

FIG. 1 is a front right perspective view of a payment card showing my new design;
FIG. 2 is a rear left perspective view thereof;
FIG. 3 is a front elevation view thereof;
FIG. 4 is a rear elevation view thereof;
FIG. 5 is a top plan view thereof, the bottom view being a mirror image thereof;
FIG. 6 is a right side view thereof;
FIG. 7 is a left side view thereof; and,
FIG. 8 is an enlarged, detailed view of the top view, as shown in FIG. 5.

The broken line showing of portions of the payment card is included for the purpose of illustrating environmental structure and forms no part of the claimed design.

1 Claim, 7 Drawing Sheets



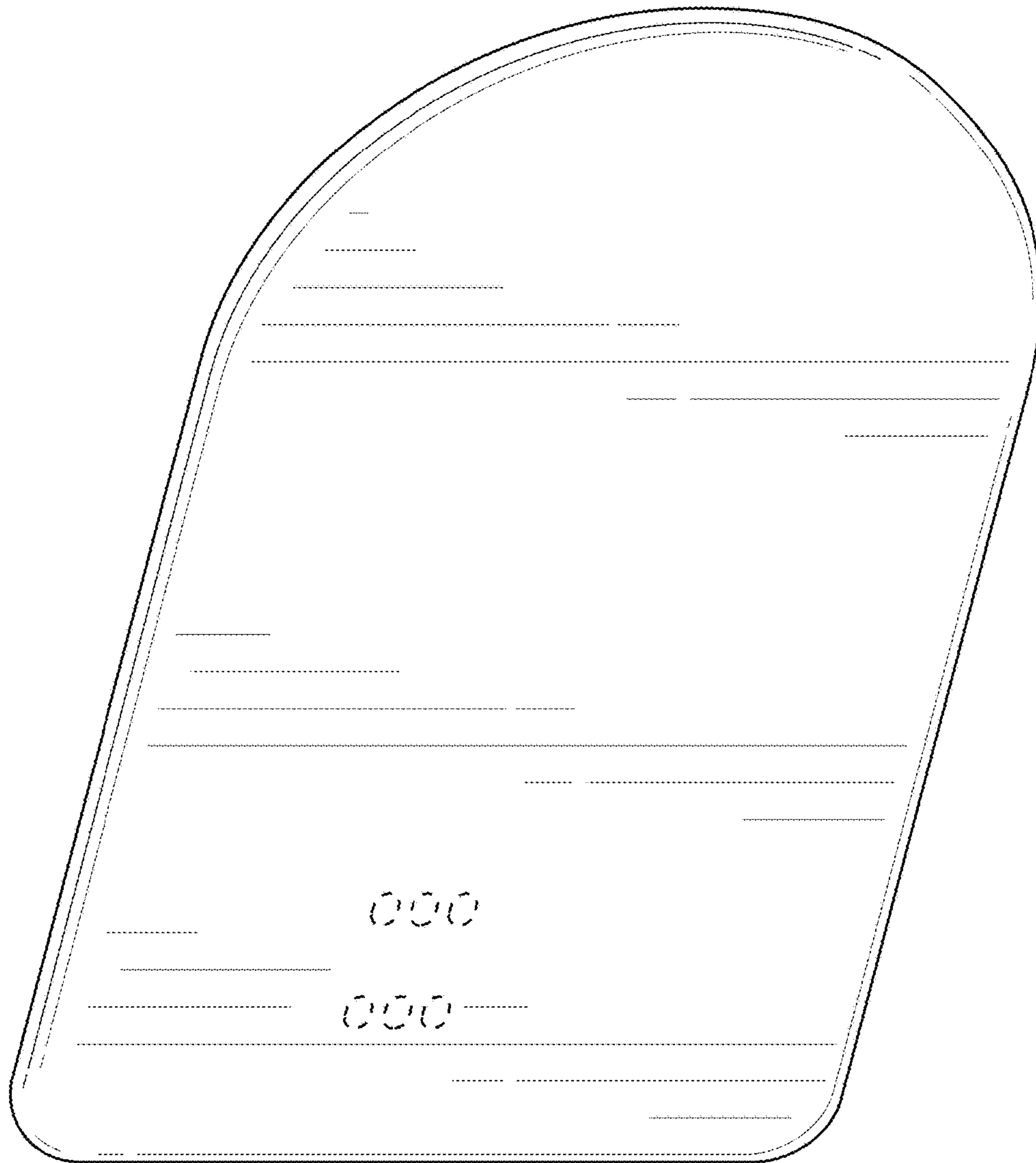


FIG. 1

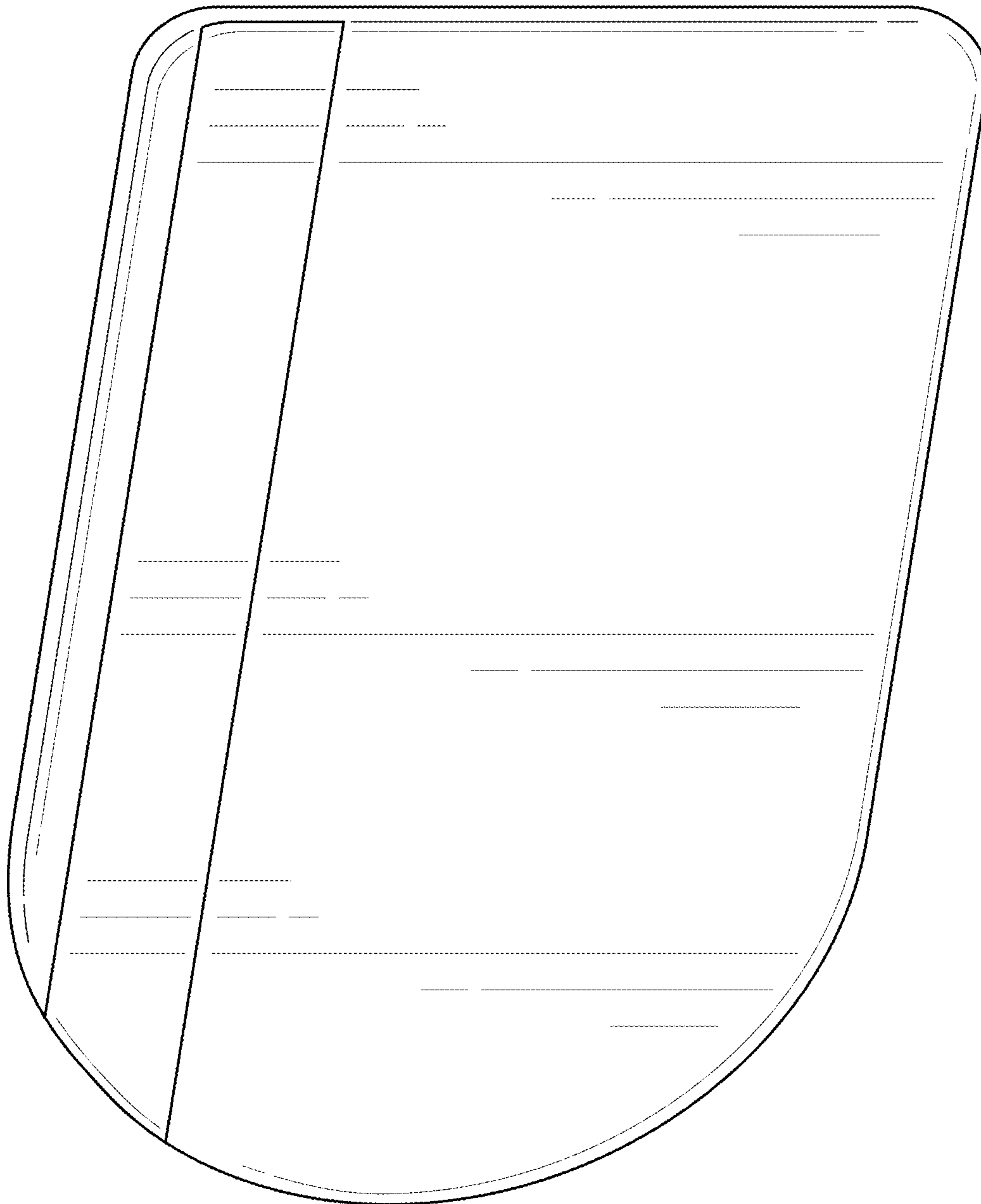


FIG. 2

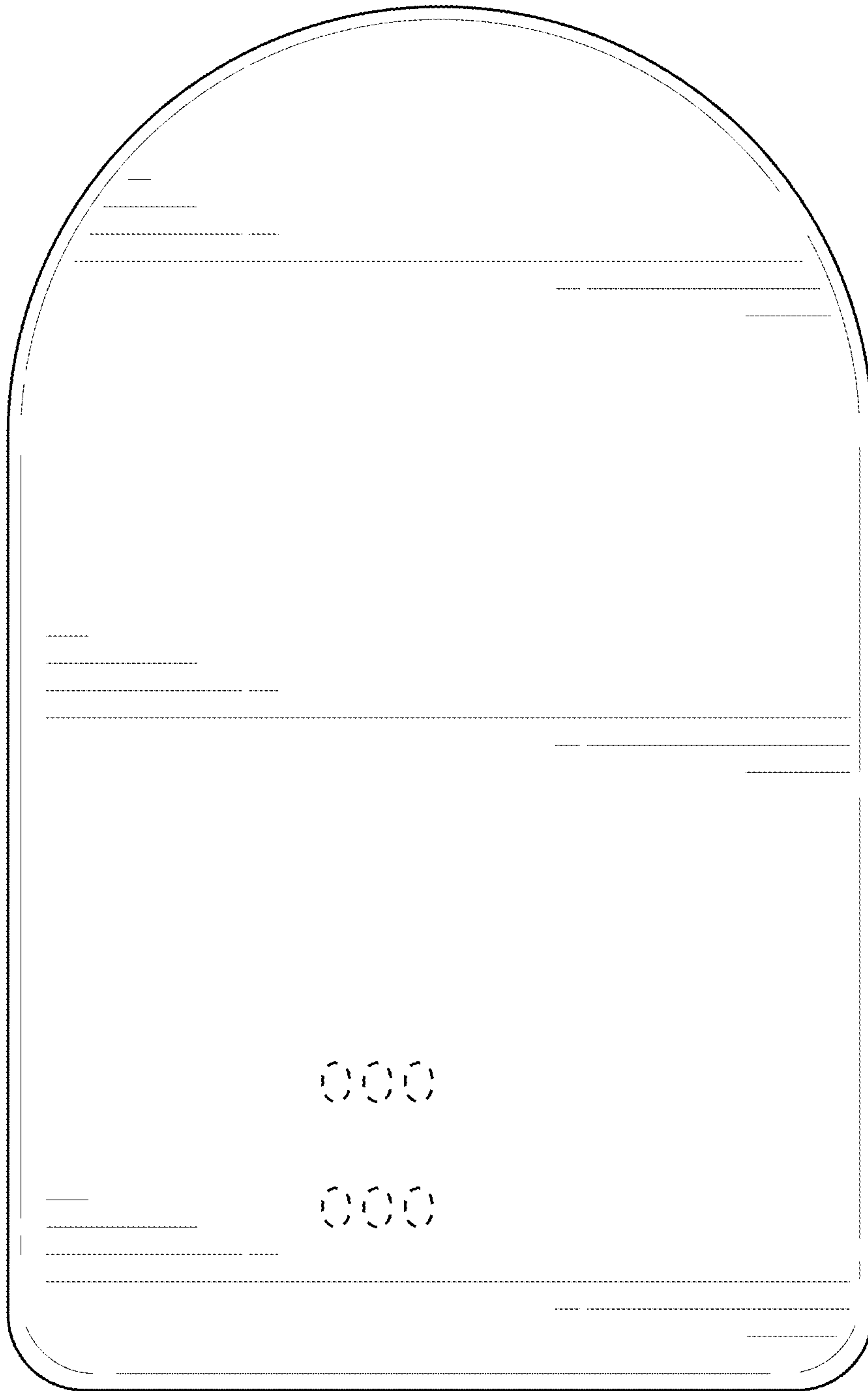


FIG. 3

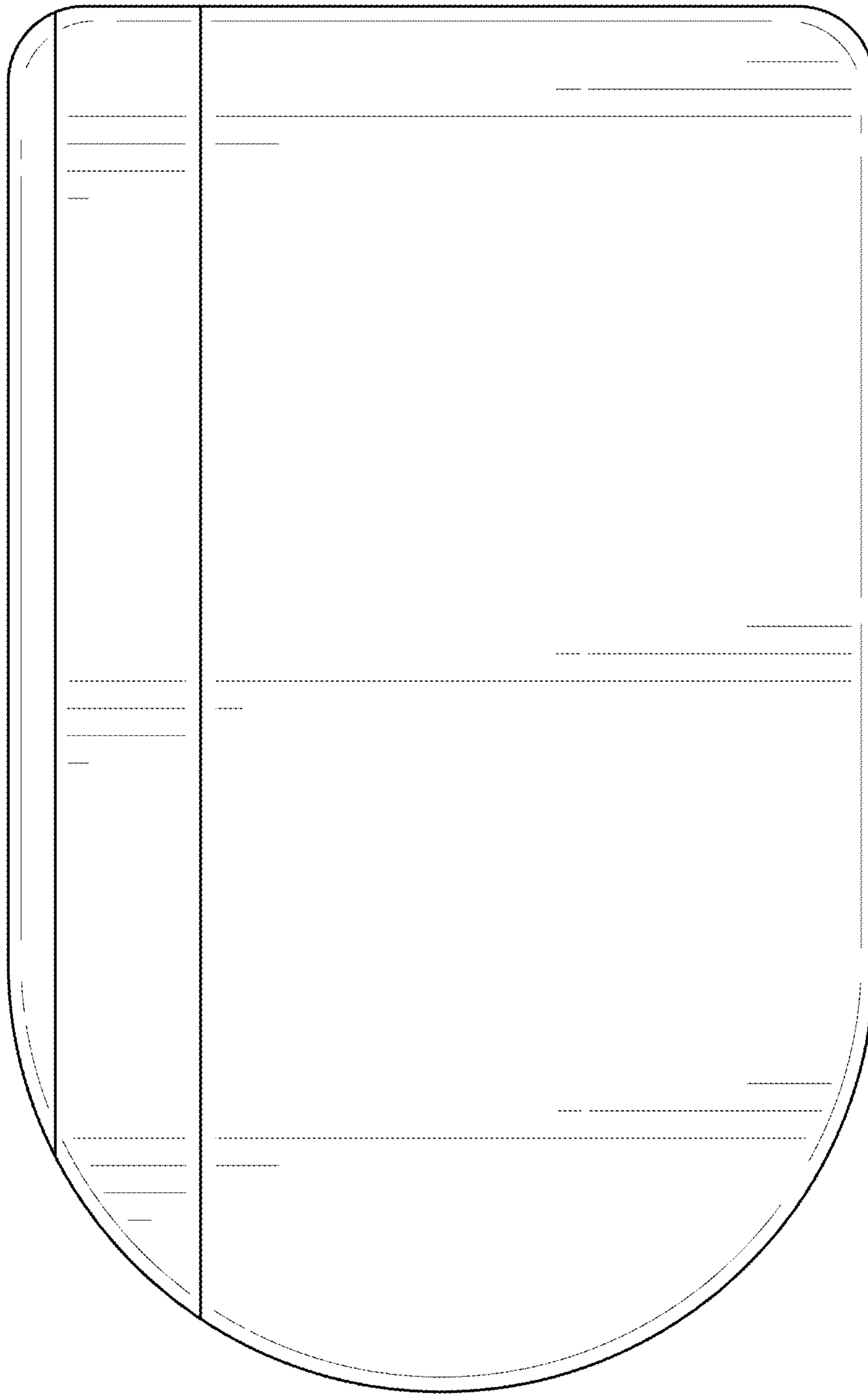


FIG. 4

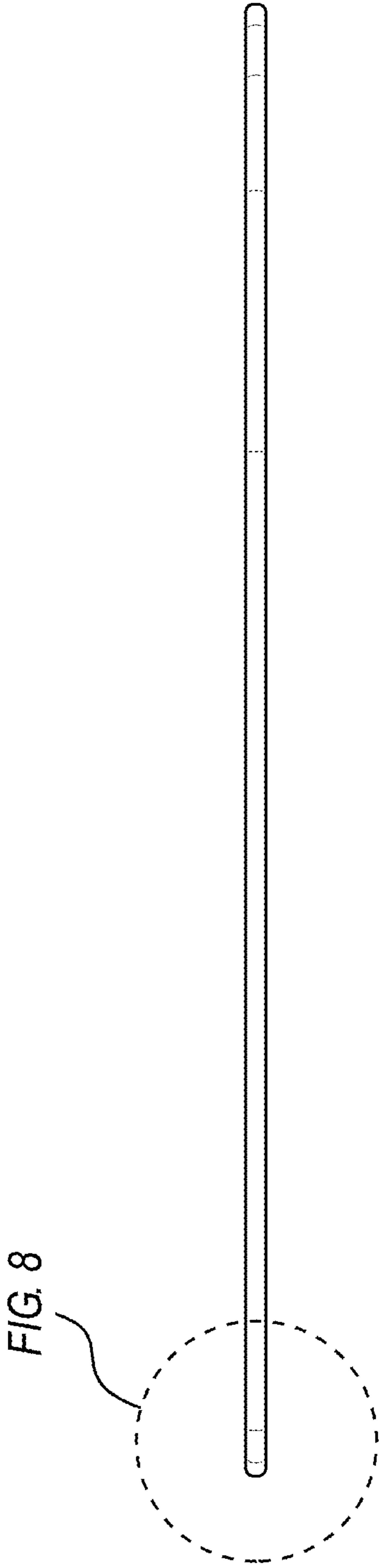


FIG. 5

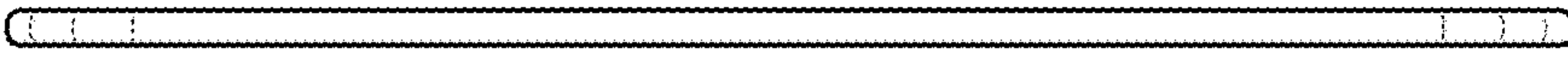


FIG. 7

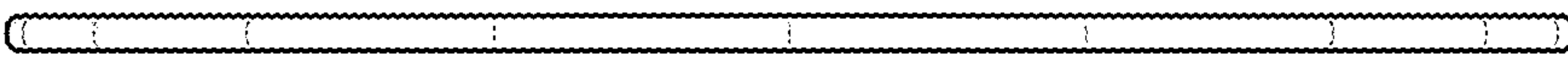


FIG. 6

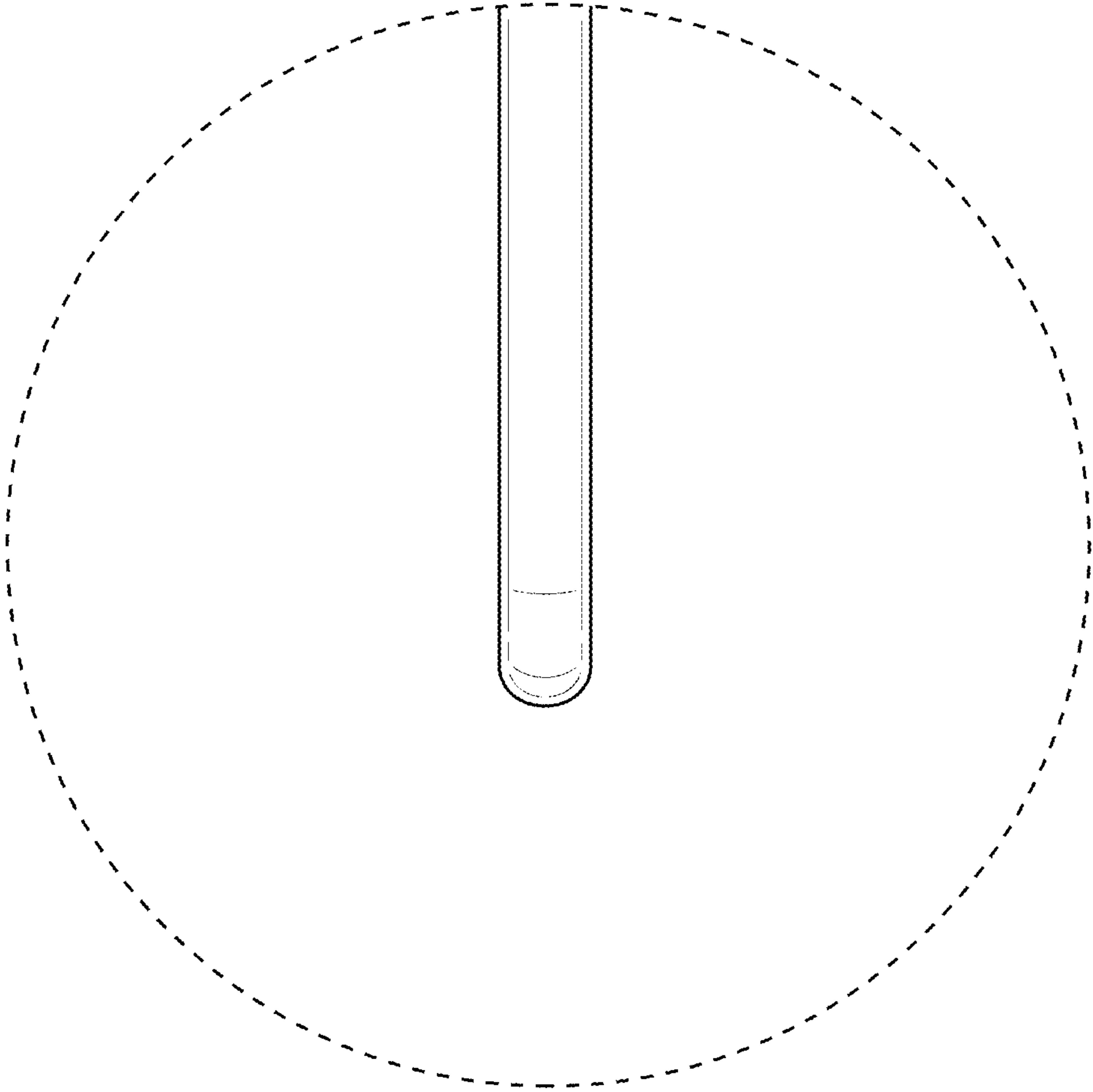


FIG. 8