



US00D779588S

(12) **United States Design Patent**  
**Chuang**

(10) **Patent No.:** **US D779,588 S**

(45) **Date of Patent:** **\*\* Feb. 21, 2017**

(54) **FITNESS APPARATUS**

(71) Applicant: **Lung-Fei Chuang**, Taichung (TW)

(72) Inventor: **Lung-Fei Chuang**, Taichung (TW)

(73) Assignee: **Lung-Fei Chuang**, Taichung (TW)

(\*\*) Term: **15 Years**

(21) Appl. No.: **29/547,345**

(22) Filed: **Dec. 3, 2015**

(30) **Foreign Application Priority Data**

Sep. 30, 2015 (TW) ..... 104305405

(51) **LOC (10) Cl.** ..... **18-02**

(52) **U.S. Cl.**  
USPC ..... **D18/56**

(58) **Field of Classification Search**  
USPC ..... D21/666, 673, 674, 676, 687, 688, 690,  
D21/692, 695; 482/1, 51, 71, 72, 92, 96,  
482/97, 98, 105, 106, 108, 110, 111, 115,  
482/122, 123, 126, 127, 129, 133, 141,  
482/145, 147  
CPC ..... A63B 21/0052; A63B 21/025; A63B  
21/00069

See application file for complete search history.

(56) **References Cited**

**U.S. PATENT DOCUMENTS**

D297,853 S *	9/1988	Ostrom	.....	D21/674
D367,090 S *	2/1996	Lien	.....	D21/695
D478,137 S *	8/2003	Ho	.....	D21/687
D496,701 S *	9/2004	Chung	.....	D21/662
D506,514 S *	6/2005	Bernstein	.....	D21/662
D516,143 S *	2/2006	Panatta	.....	D21/676
D632,746 S *	2/2011	Wu	.....	D21/674
D649,205 S *	11/2011	Zachary	.....	D21/676
D703,280 S *	4/2014	Ho	.....	D21/687
D727,441 S *	4/2015	Chuang	.....	D21/687
D741,421 S *	10/2015	Ho	.....	D21/687
D743,494 S *	11/2015	Ho	.....	D21/687
D764,606 S *	8/2016	Lagree	.....	D21/676

2007/0243981 A1*	10/2007	Verheem	.....	A63B 21/0552 482/130
2014/0121076 A1*	5/2014	Lagree	.....	A63B 21/0552 482/123
2014/0187395 A1*	7/2014	Blahnik	.....	A63B 21/00069 482/141
2014/0364288 A1*	12/2014	Chuang	.....	A63B 21/00069 482/122
2015/0202484 A1*	7/2015	Lalaoua	.....	A63B 21/025 482/127

**OTHER PUBLICATIONS**

“Wonder Core Smart Fitness Equipment.” First comment: Jun. 10, 2015. Amazon. [https://www.amazon.com/Wonder-Smart-Fitness-Equipment-Black/product-reviews/BooNXUVLPM/ref=cm\\_cr\\_getr\\_d\\_paging\\_btm\\_55?ie=UTF8&showViewpoints=1&sortBy=recent&pageNumber=55](https://www.amazon.com/Wonder-Smart-Fitness-Equipment-Black/product-reviews/BooNXUVLPM/ref=cm_cr_getr_d_paging_btm_55?ie=UTF8&showViewpoints=1&sortBy=recent&pageNumber=55).\*

“Wonder Core Reviews.” First comment: Apr. 12, 2014. Uiliu Reviews. <http://www.uiliu.com/wonder-core-reviews/>.\*

\* cited by examiner

*Primary Examiner* — Manpreet Matharu

*Assistant Examiner* — Suzanne Tisdell

(74) *Attorney, Agent, or Firm* — CKC & Partners Co., Ltd.

(57) **CLAIM**

The ornamental design for a fitness apparatus, as shown.

**DESCRIPTION**

FIG. 1 is a perspective view of a fitness apparatus showing my new design;

FIG. 2 is a front view thereof;

FIG. 3 is a rear view thereof;

FIG. 4 is a left side view thereof;

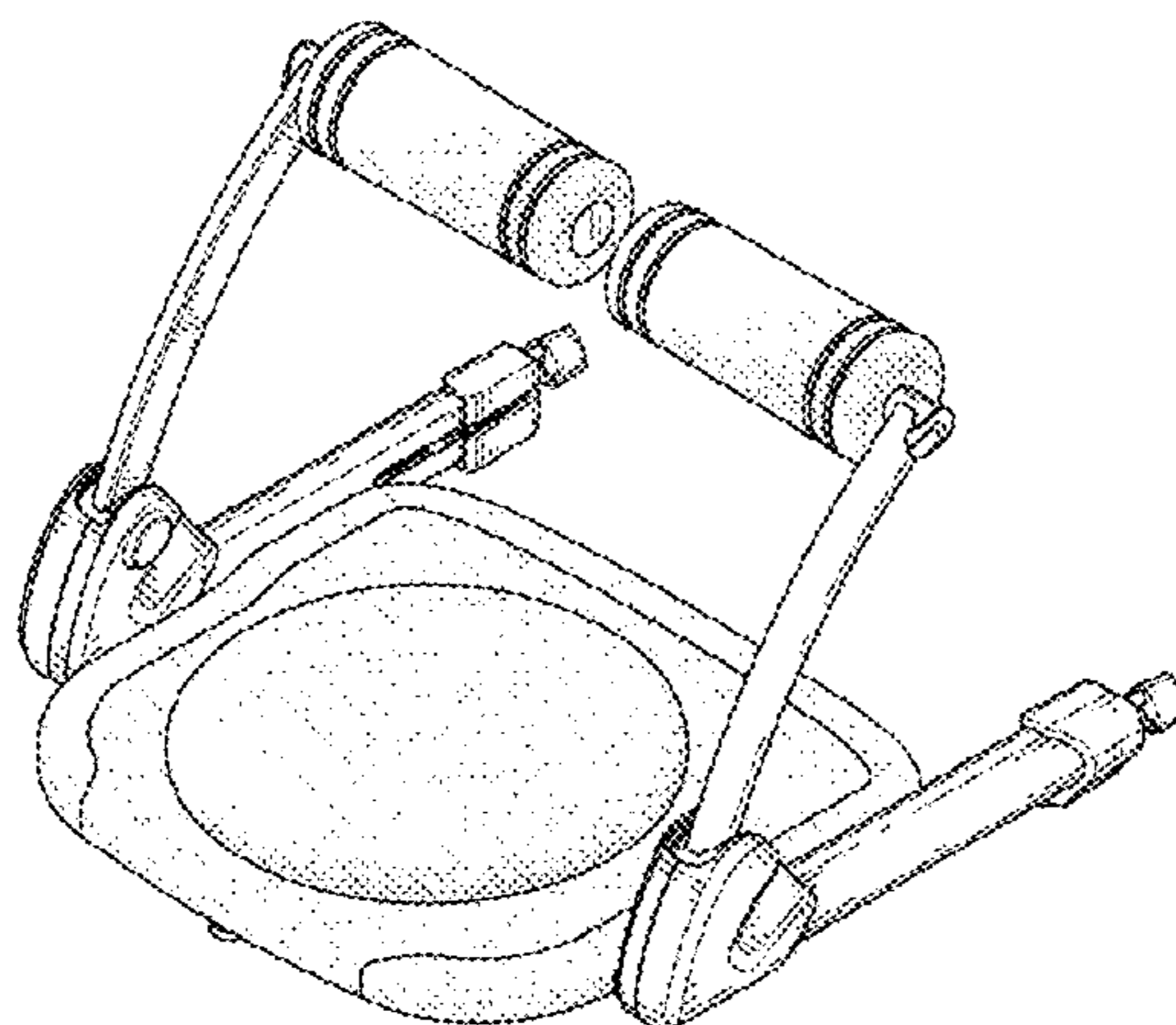
FIG. 5 is a right side view thereof;

FIG. 6 is a top view thereof;

FIG. 7 is a bottom view thereof; and,

FIG. 8 is a perspective view thereof, showing the design in an alternate, closed state.

**1 Claim, 5 Drawing Sheets**



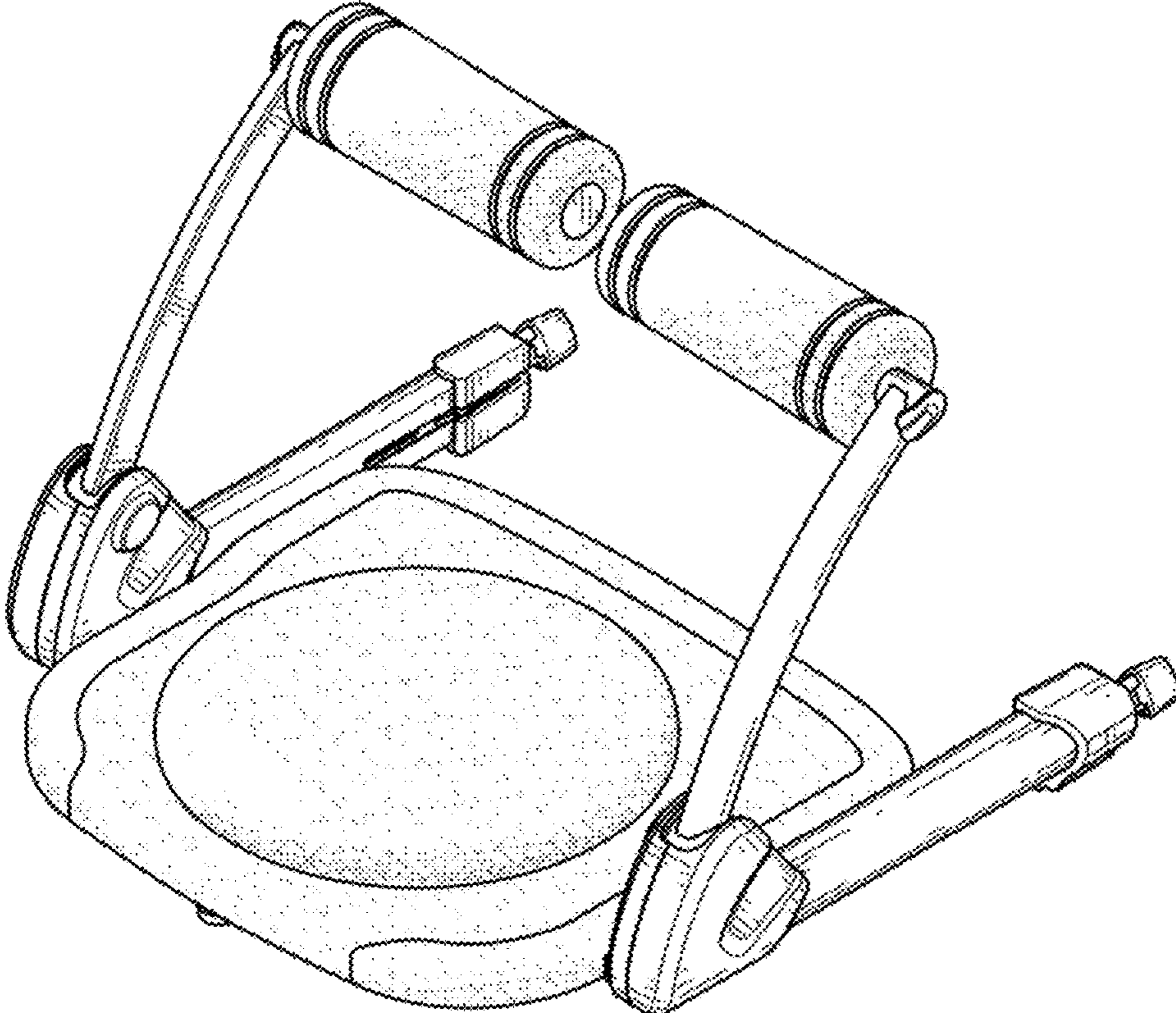


Fig. 1

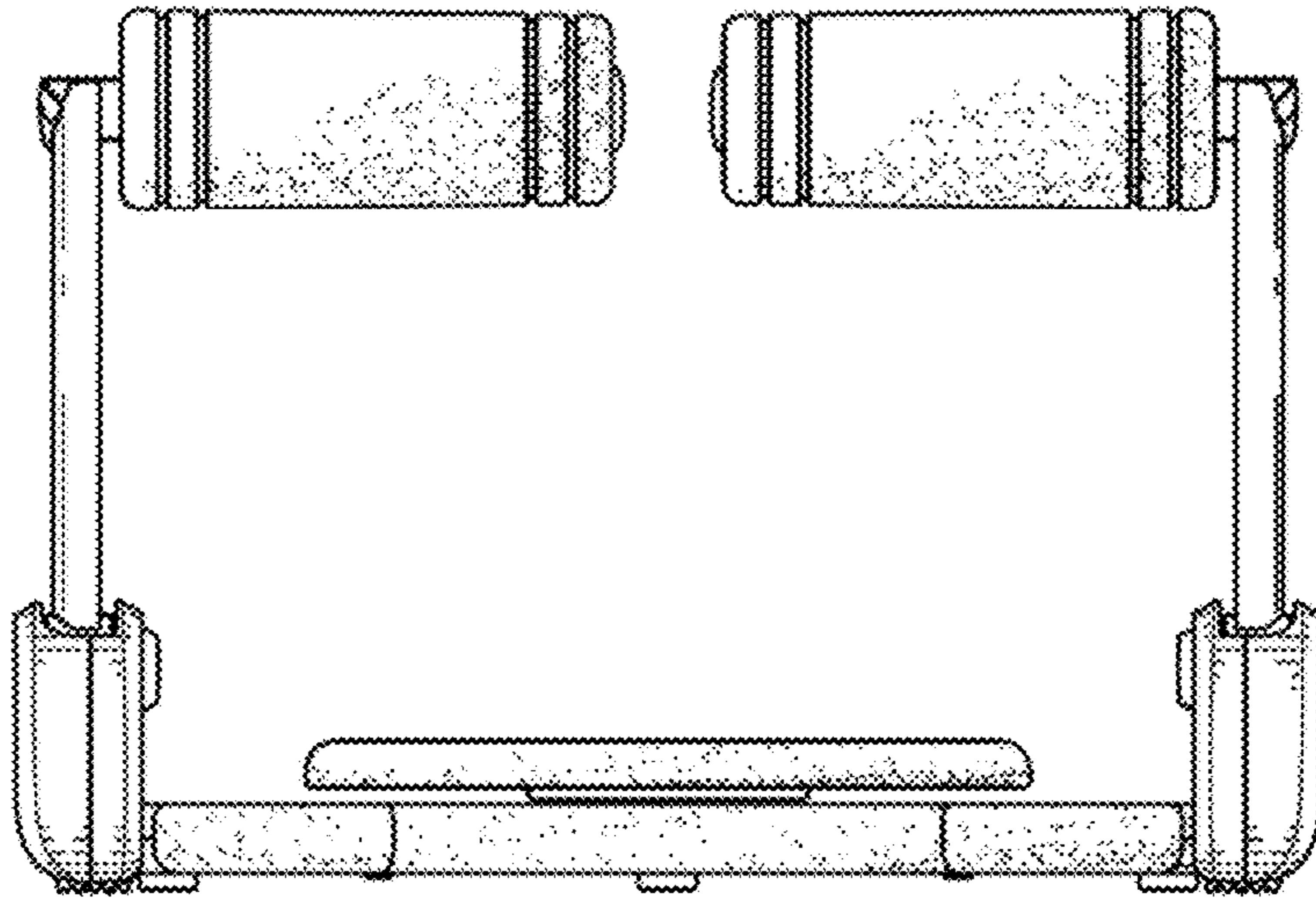


Fig. 2

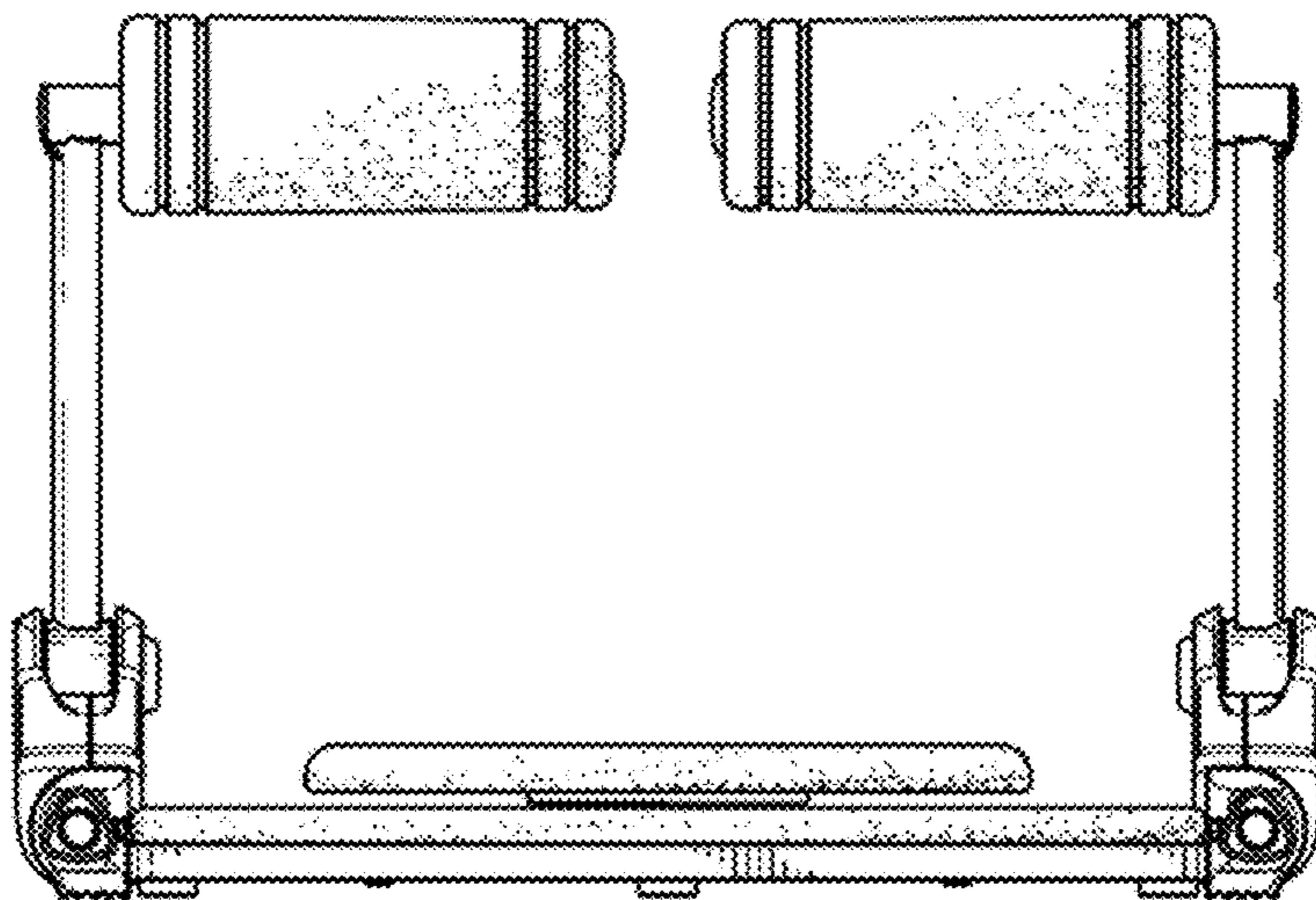


Fig. 3



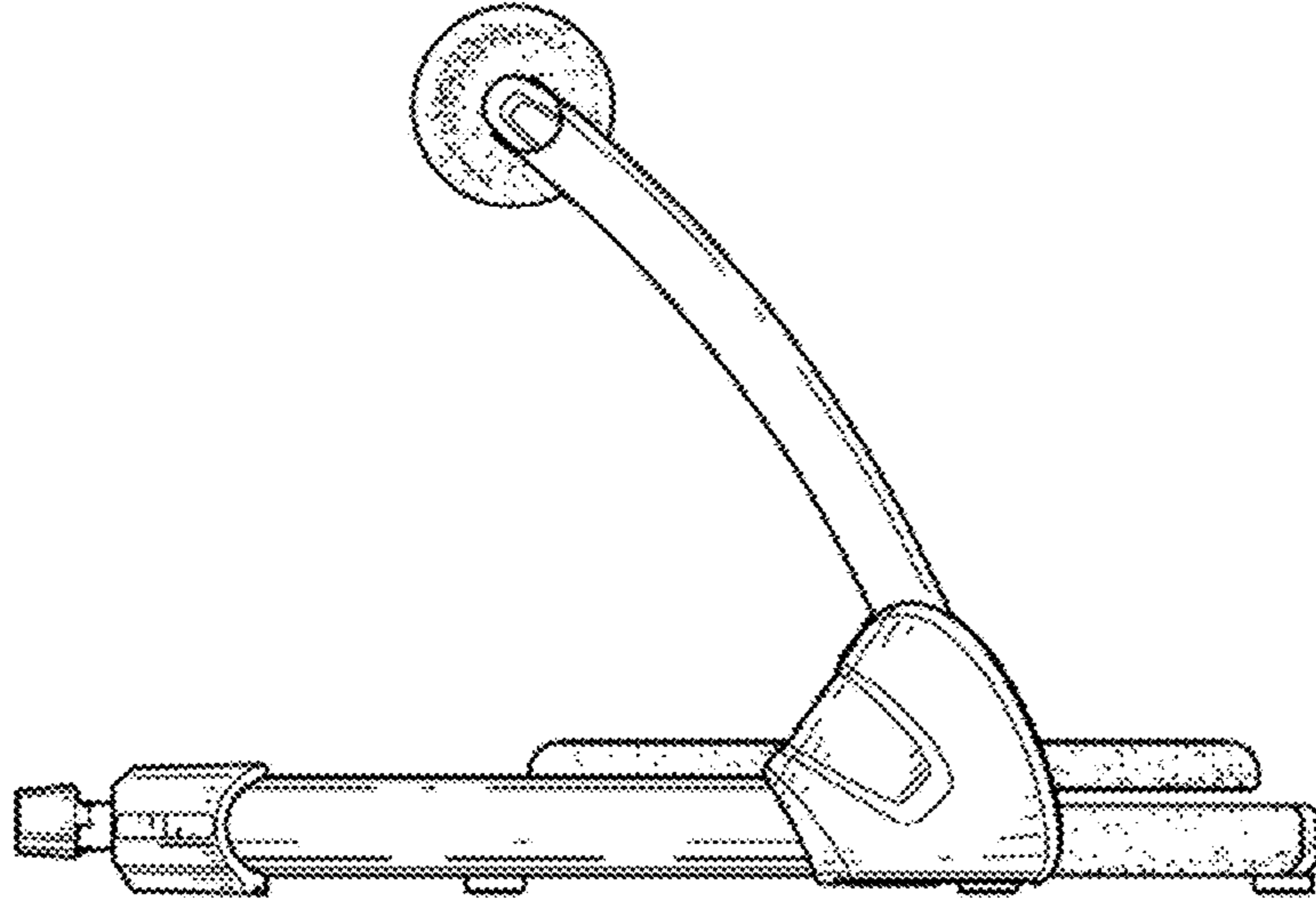


Fig. 4

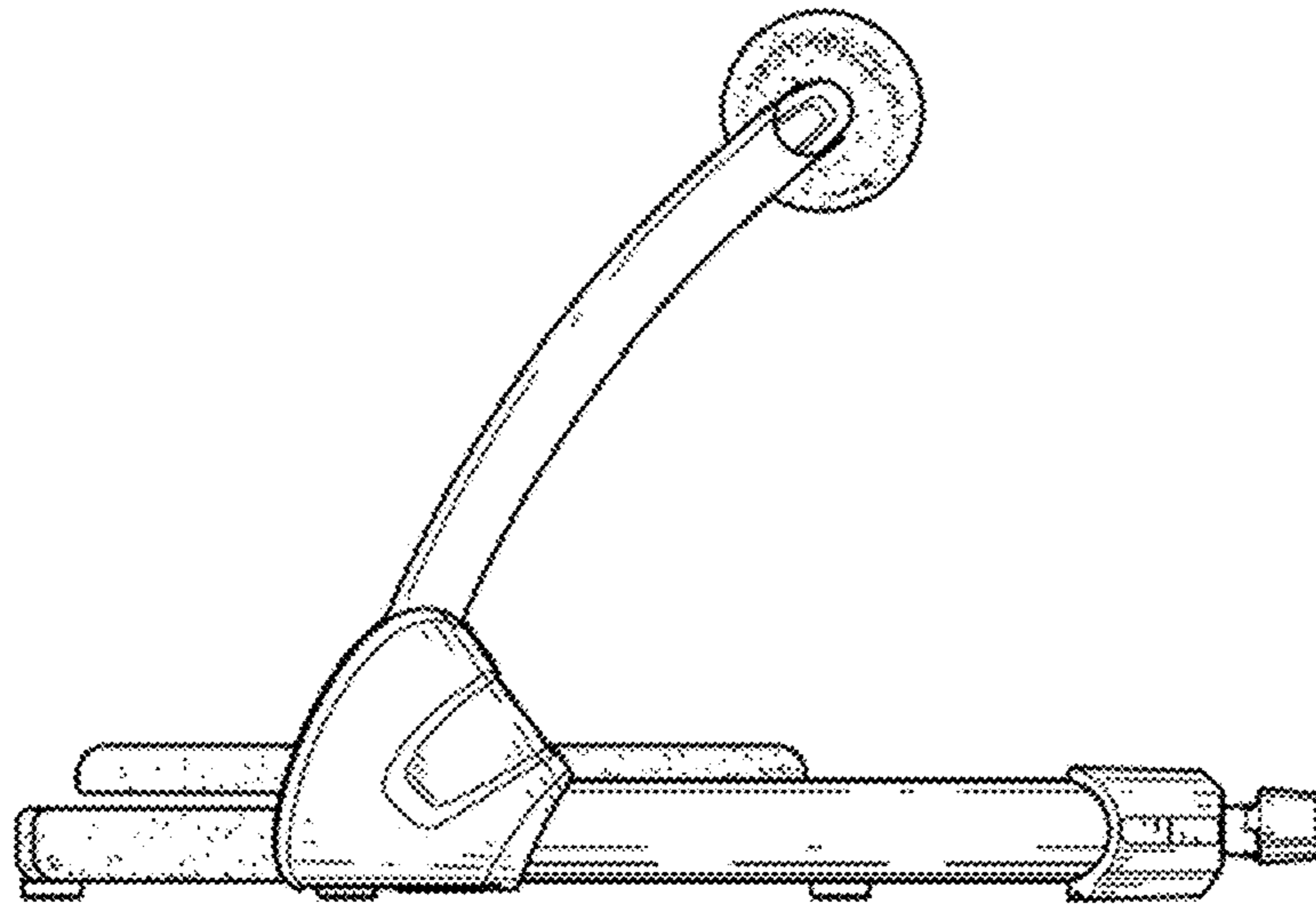


Fig. 5

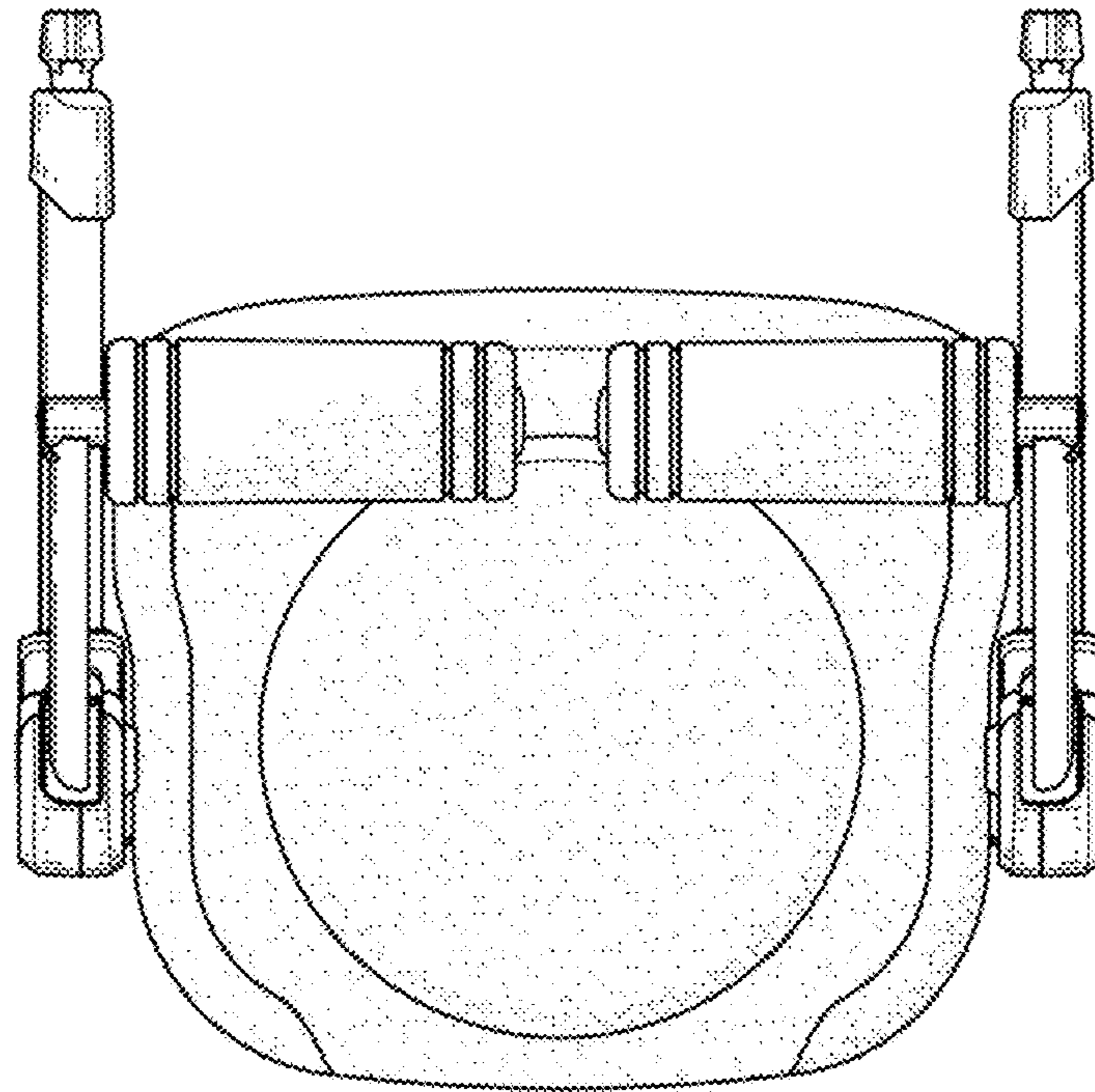


Fig. 6

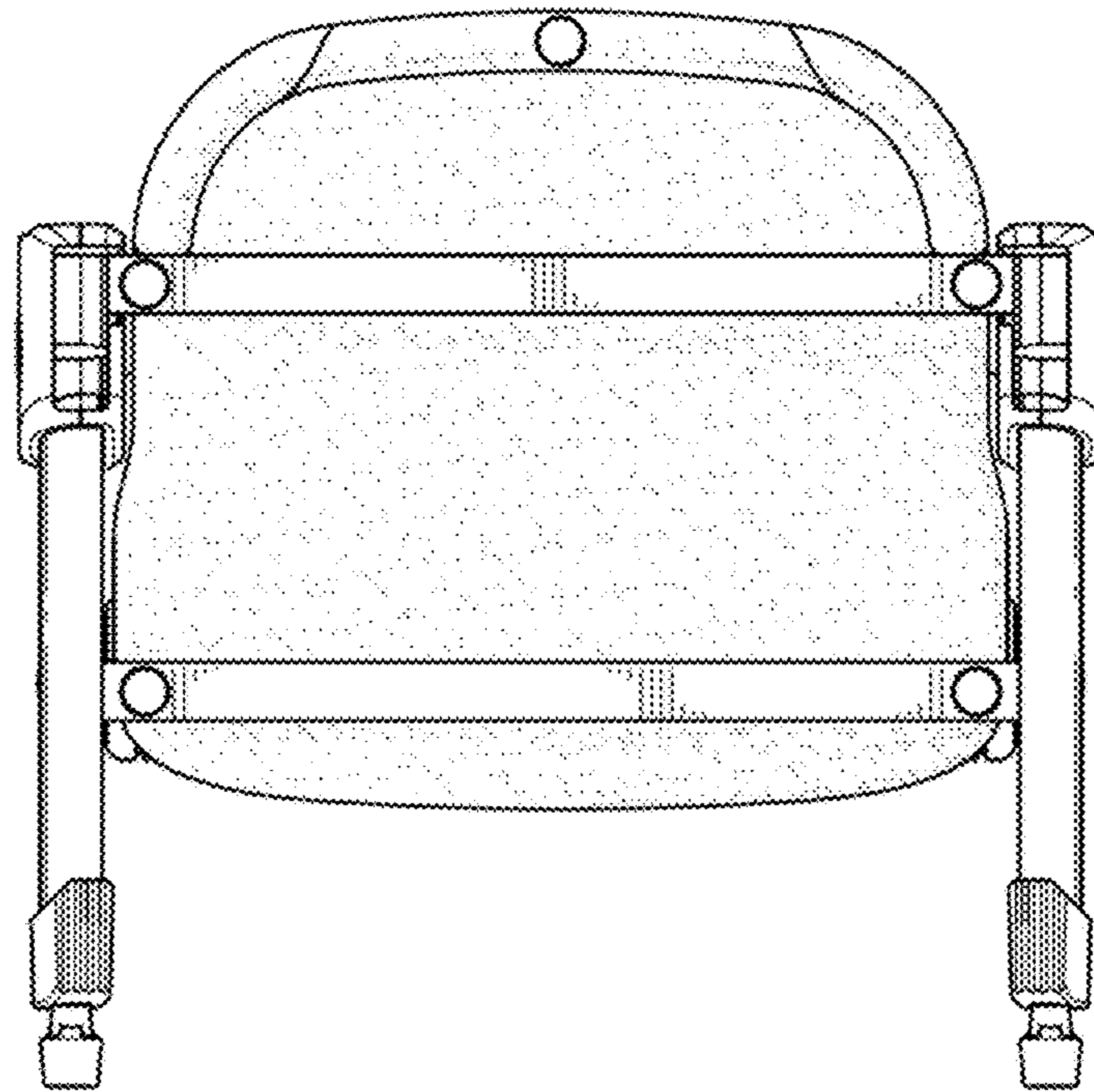


Fig. 7

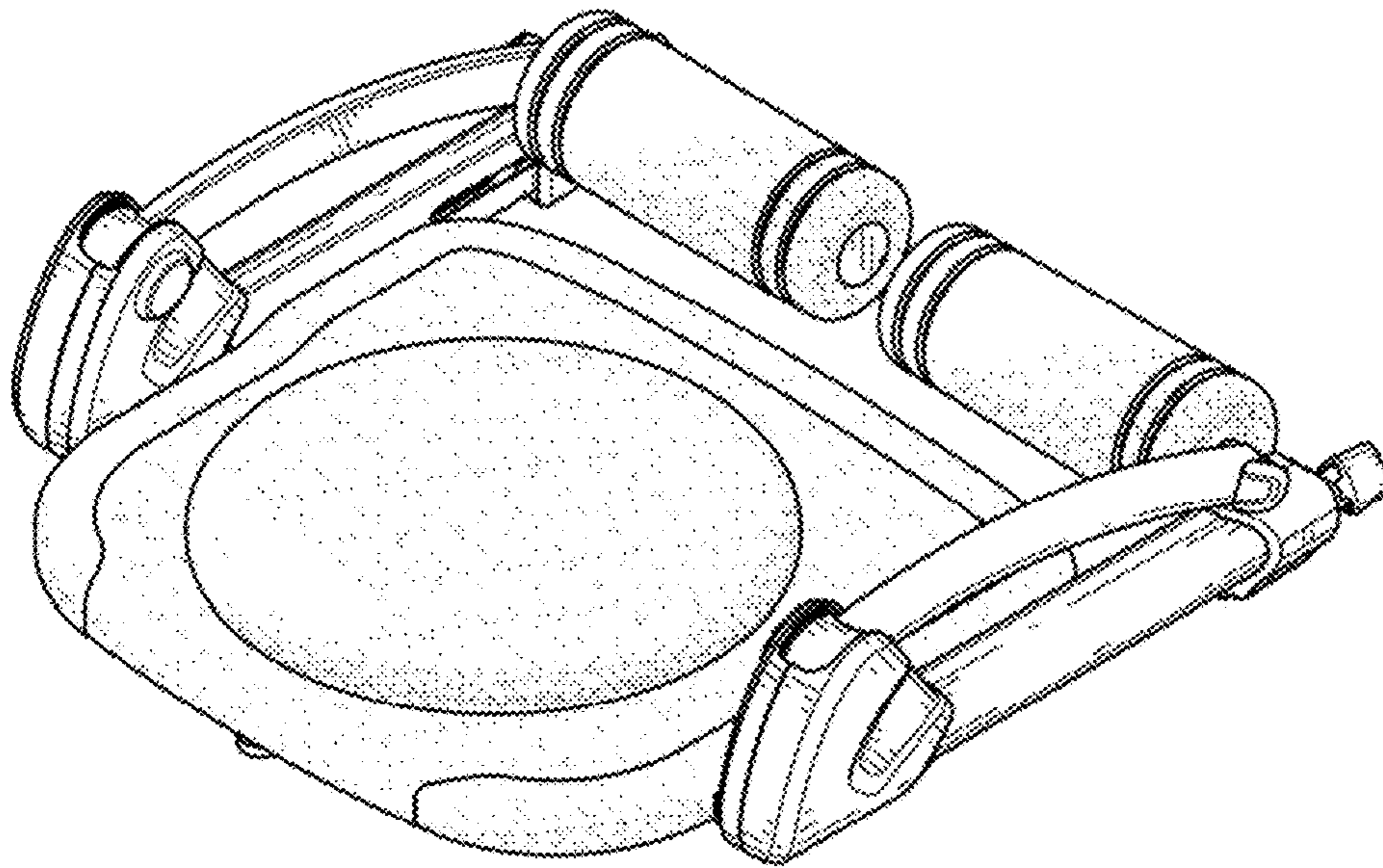


Fig. 8