



US00D779587S

(12) **United States Design Patent**  
**Li et al.**

(10) **Patent No.:** **US D779,587 S**

(45) **Date of Patent:** **\*\* Feb. 21, 2017**

(54) **DRIVE GEAR FOR IMAGING COMPONENT**

(71) Applicant: **PRINT-RITE—UNICORN IMAGE PRODUCTS CO., LTD. OF ZHUHAI**, Zhuhai (CN)

(72) Inventors: **Zhengguang Li**, Zhuhai (CN);  
**Xiaofeng Yang**, Zhuhai (CN)

(73) Assignee: **PRINT-RITE • UNICORN IMAGE PRODUCTS CO., LTD. OF ZHUHAI** (CN)

(\*\*) Term: **14 Years**

(21) Appl. No.: **29/513,963**

(22) Filed: **Jan. 7, 2015**

(30) **Foreign Application Priority Data**

Jul. 7, 2014 (CN) ..... 2014 3 0225591

(51) **LOC (10) Cl.** ..... **18-02**

(52) **U.S. Cl.**  
USPC ..... **D18/56; D18/43**

(58) **Field of Classification Search**  
USPC ..... D18/12, 18, 34.9, 40, 43, 50, 56, 59, 99  
(Continued)

(56) **References Cited**

**U.S. PATENT DOCUMENTS**

D667,049 S \* 9/2012 Park ..... D18/43  
D678,399 S \* 3/2013 Huck ..... D18/43  
(Continued)

**FOREIGN PATENT DOCUMENTS**

WO WO 2012113289 A1 \* 8/2012 ..... G03G 21/16  
WO WO 2012152203 A1 \* 11/2012 ..... G03F 15/00

**OTHER PUBLICATIONS**

The Recycler, dated Dec. 23, 2014, [online], [site visited Mar. 4, 2016]. Available from Internet, <URL: <http://www.therecycler.com/posts/print-rite-discusses-background-of-new-drum-gear/>>.\*

(Continued)

*Primary Examiner* — Thomas Johannes  
*Assistant Examiner* — Shawn T Gingrich

(74) *Attorney, Agent, or Firm* — Lerner, David, Littenberg, Krumholz & Mentlik, LLP

(57) **CLAIM**

The ornamental designs for a drive gear for imaging component, as shown and described.

**DESCRIPTION**

FIG. 1 is a perspective view of a drive gear for imaging component in accordance with a first embodiment of our new design;

FIG. 2 is a front elevational view thereof;

FIG. 3 is a bottom plan view thereof;

FIG. 4 is a top plan view thereof;

FIG. 5 is a right side view thereof;

FIG. 6 is a rear elevational view thereof;

FIG. 7 is a left side view thereof;

FIG. 8 is a perspective view of a drive gear for imaging component in accordance with a second embodiment of our new design;

FIG. 9 is a front elevational view thereof;

FIG. 10 is a bottom plan view thereof;

FIG. 11 is a top plan view thereof;

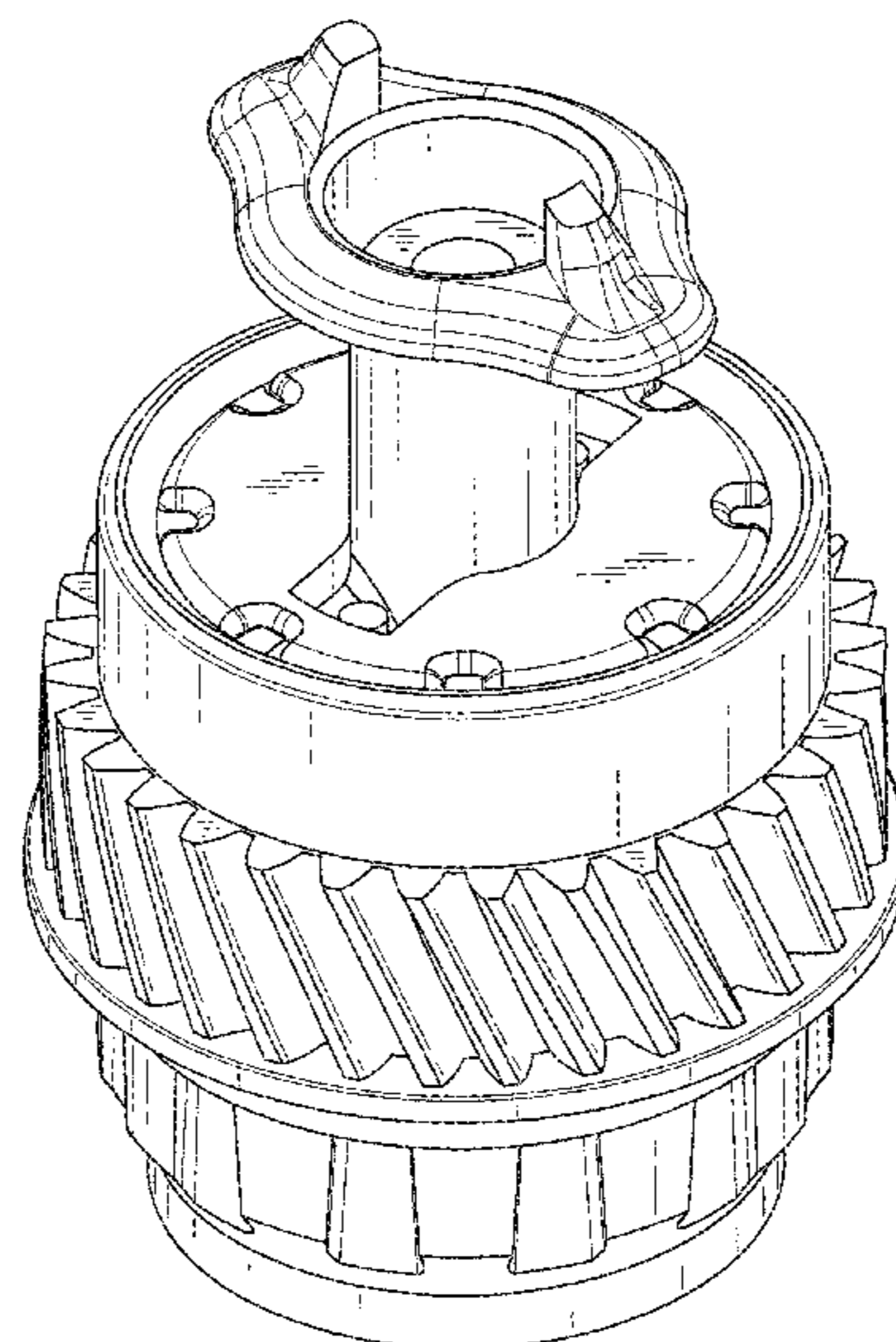
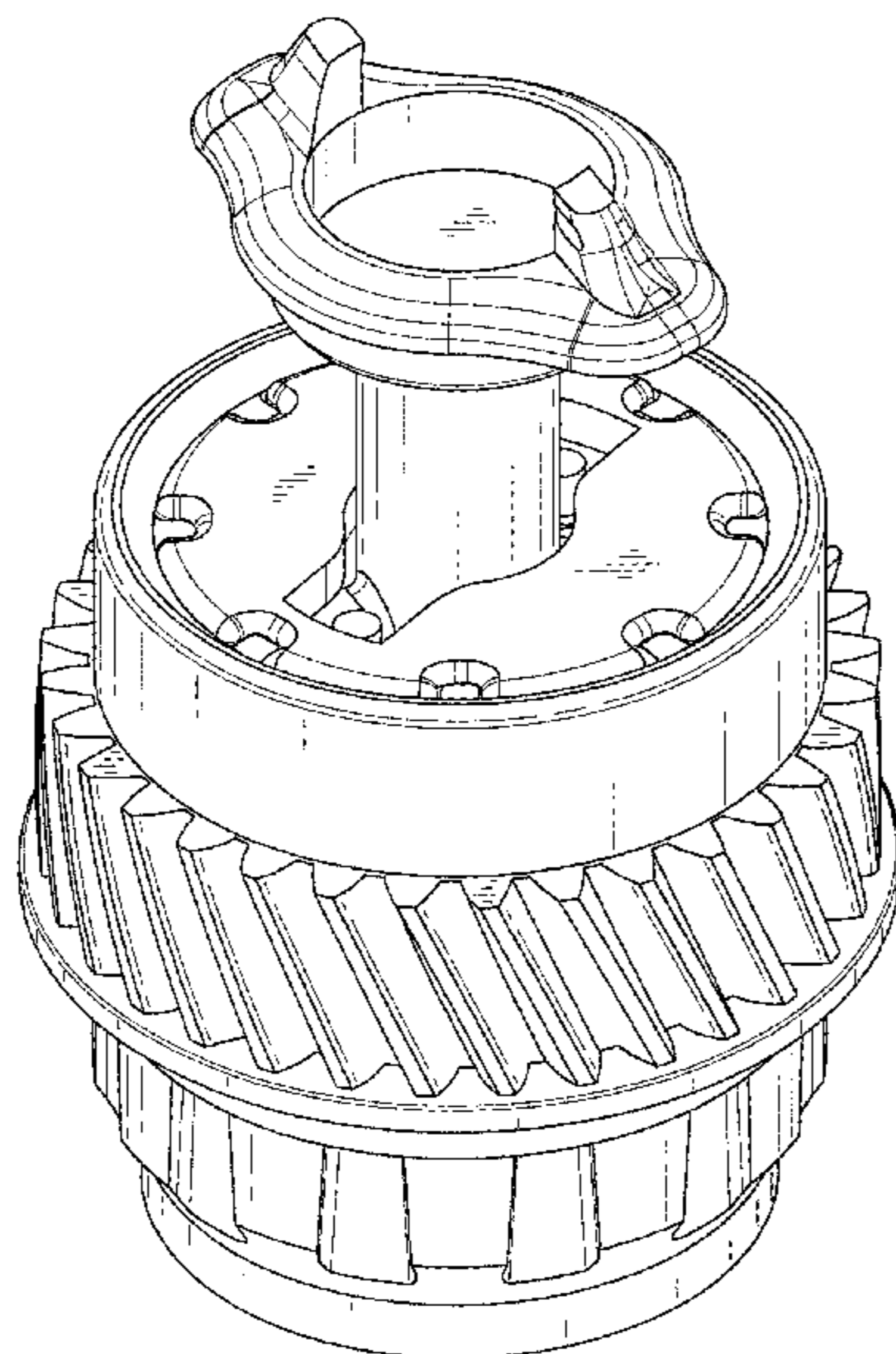
FIG. 12 is a right side view thereof;

FIG. 13 is a rear elevational view thereof; and,

FIG. 14 is a left side view thereof.

The broken line portion of the figure drawings is included to show portions of the article that form no part of the claimed design.

**1 Claim, 14 Drawing Sheets**



(58) **Field of Classification Search**  
 CPC .... G03G 15/00; G03G 21/18; G03G 21/1857;  
 G03G 15/575; F16D 3/00; F16F 3/06  
 See application file for complete search history.

(56) **References Cited**

U.S. PATENT DOCUMENTS

D678,401 S *	3/2013	Huck	.....	D18/43
D678,939 S *	3/2013	Huck	.....	D18/43
D696,342 S *	12/2013	Lewis	.....	D18/43
8,897,673 B2 *	11/2014	Lee	.....	G03G 15/757 399/111
9,008,551 B2 *	4/2015	Kurokawa	.....	G03G 15/757 399/167
9,091,994 B2 *	7/2015	Huang	.....	G03G 21/1857
9,098,048 B2 *	8/2015	Huang	.....	G03G 15/757
9,274,500 B2 *	3/2016	Wang	.....	G03G 21/1857
2011/0217073 A1 *	9/2011	He	.....	G03G 15/757 399/111
2011/0255900 A1 *	10/2011	Zhou	.....	G03G 15/757 399/111

2012/0045247 A1 *	2/2012	Lewis	.....	G03G 15/757 399/167
2012/0183331 A1 *	7/2012	Huang	.....	G03G 15/757 399/167
2014/0140728 A1 *	5/2014	Huang	.....	G03G 15/757 399/167
2015/0030353 A1 *	1/2015	Wang	.....	F16D 3/06 399/167
2015/0050049 A1 *	2/2015	Huang	.....	G03G 15/757 399/167
2015/0050050 A1 *	2/2015	Huang	.....	G03G 15/757 399/167
2015/0110522 A1 *	4/2015	Ikeda	.....	F16D 1/06 399/111

OTHER PUBLICATIONS

Getting Back into Gear, dated Dec. 12, 2014, [online], [site visited Mar. 4, 2016]. Available from Internet, <URL: <https://vimeo.com/114318444>>.\*

\* cited by examiner

FIG. 1

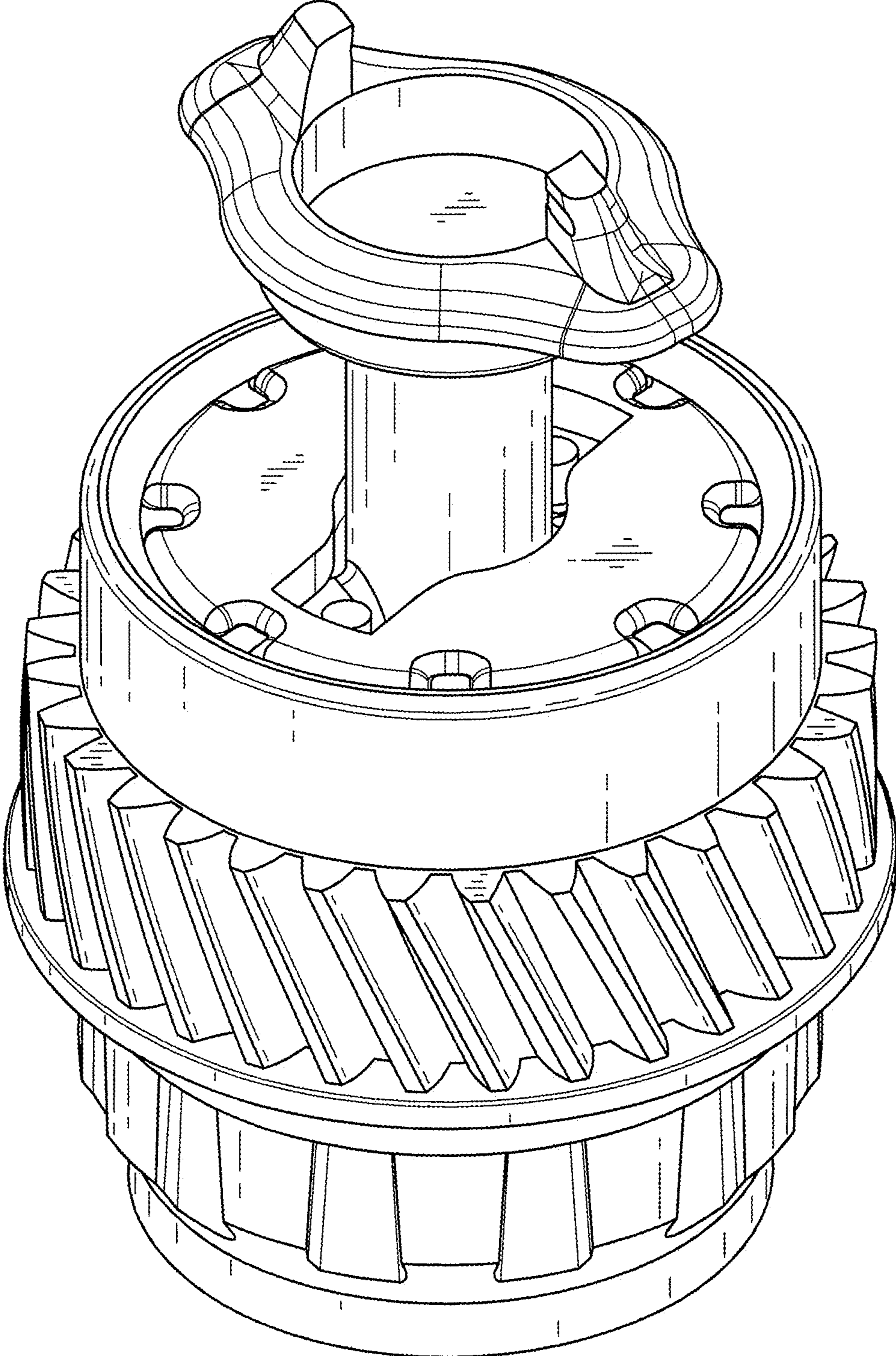


FIG. 2

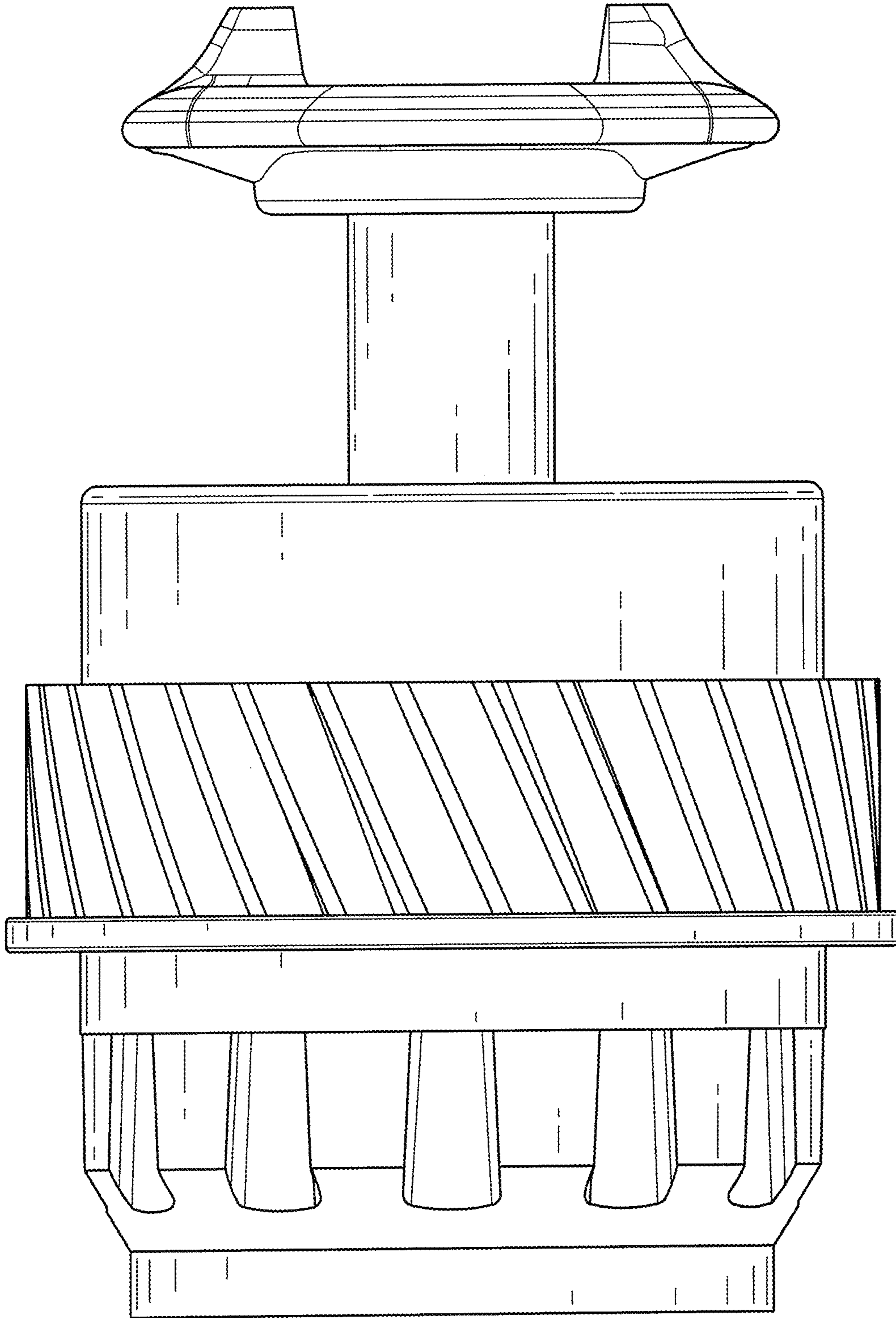


FIG. 3

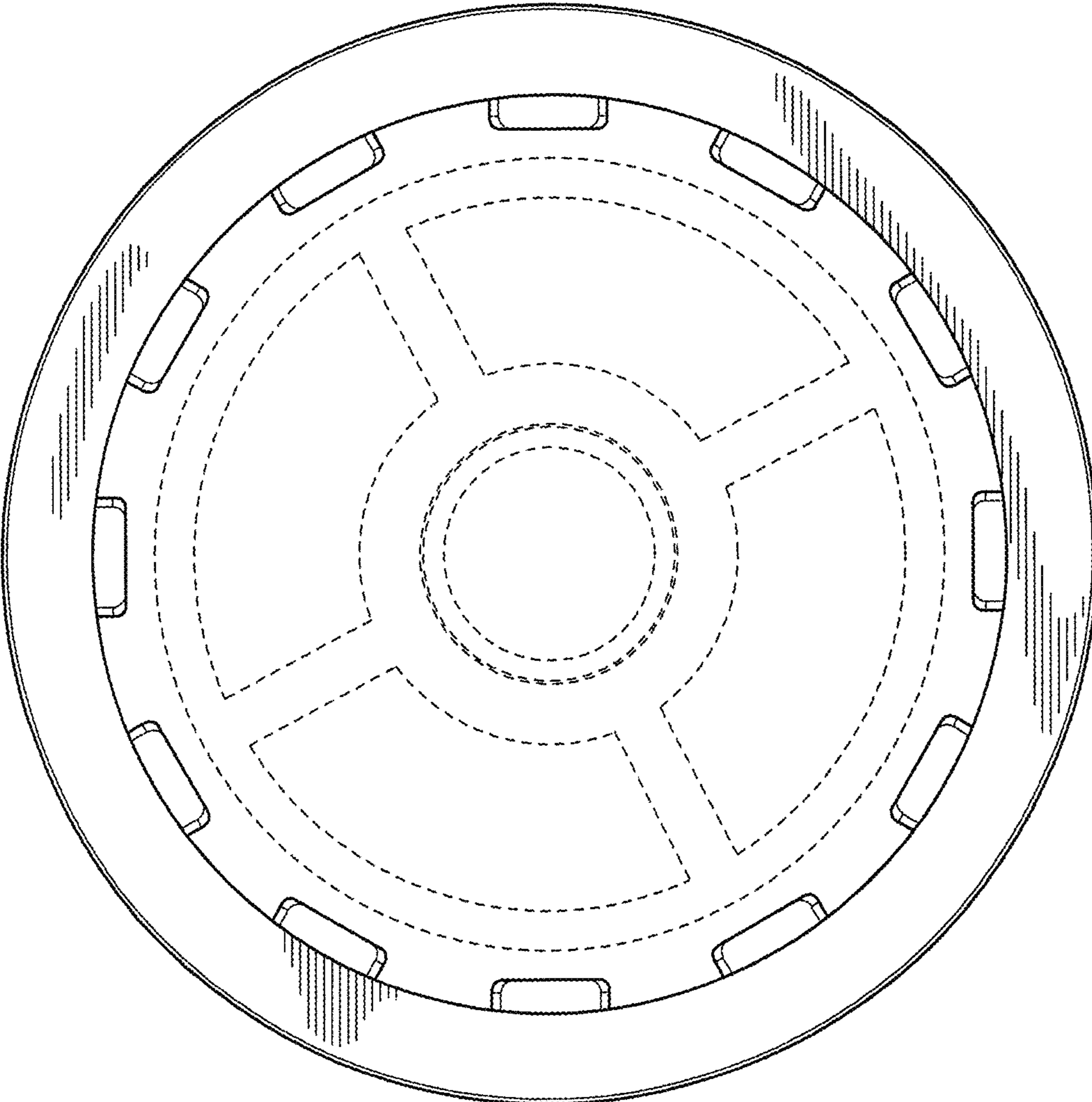


FIG. 4

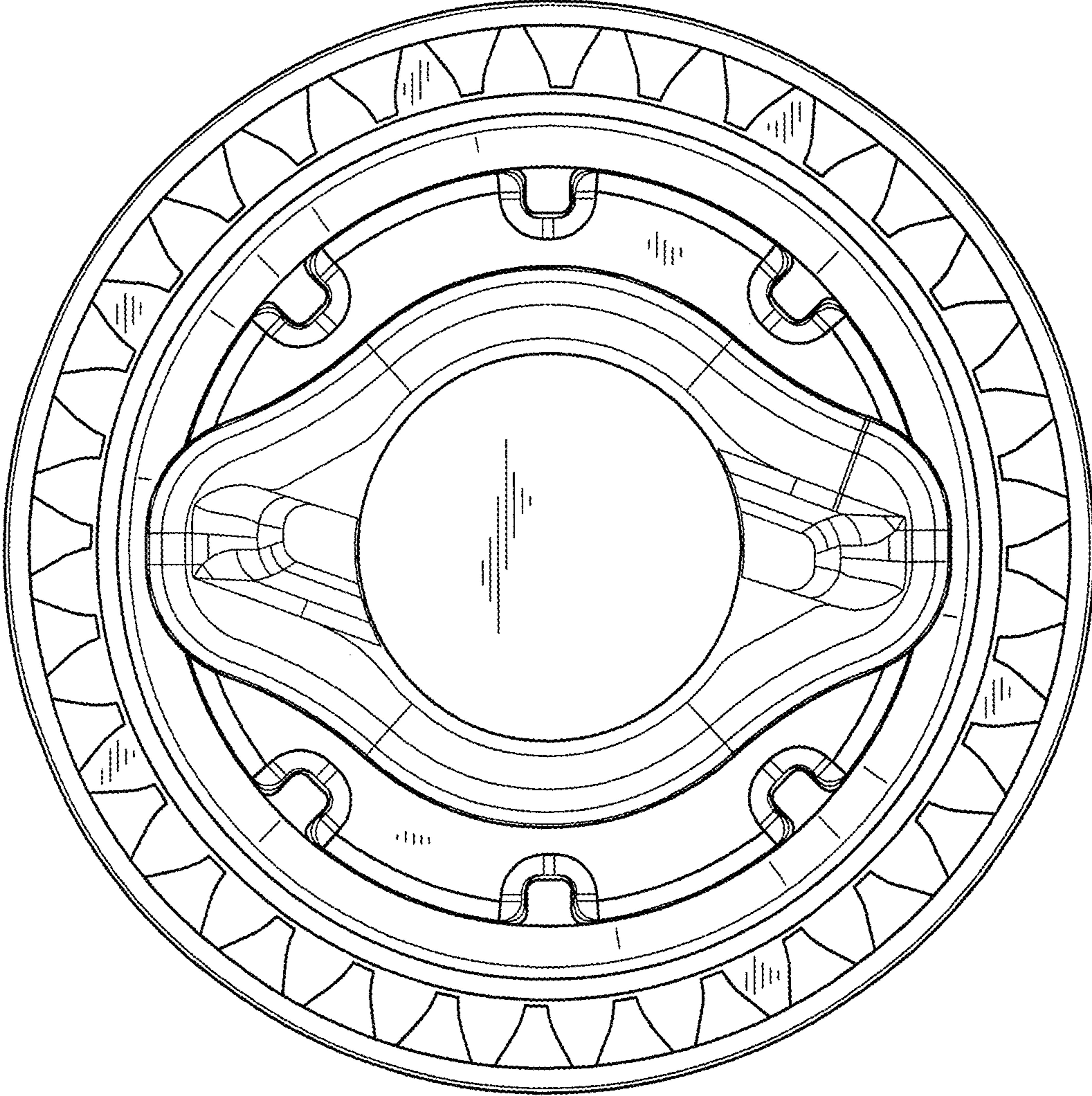


FIG. 5

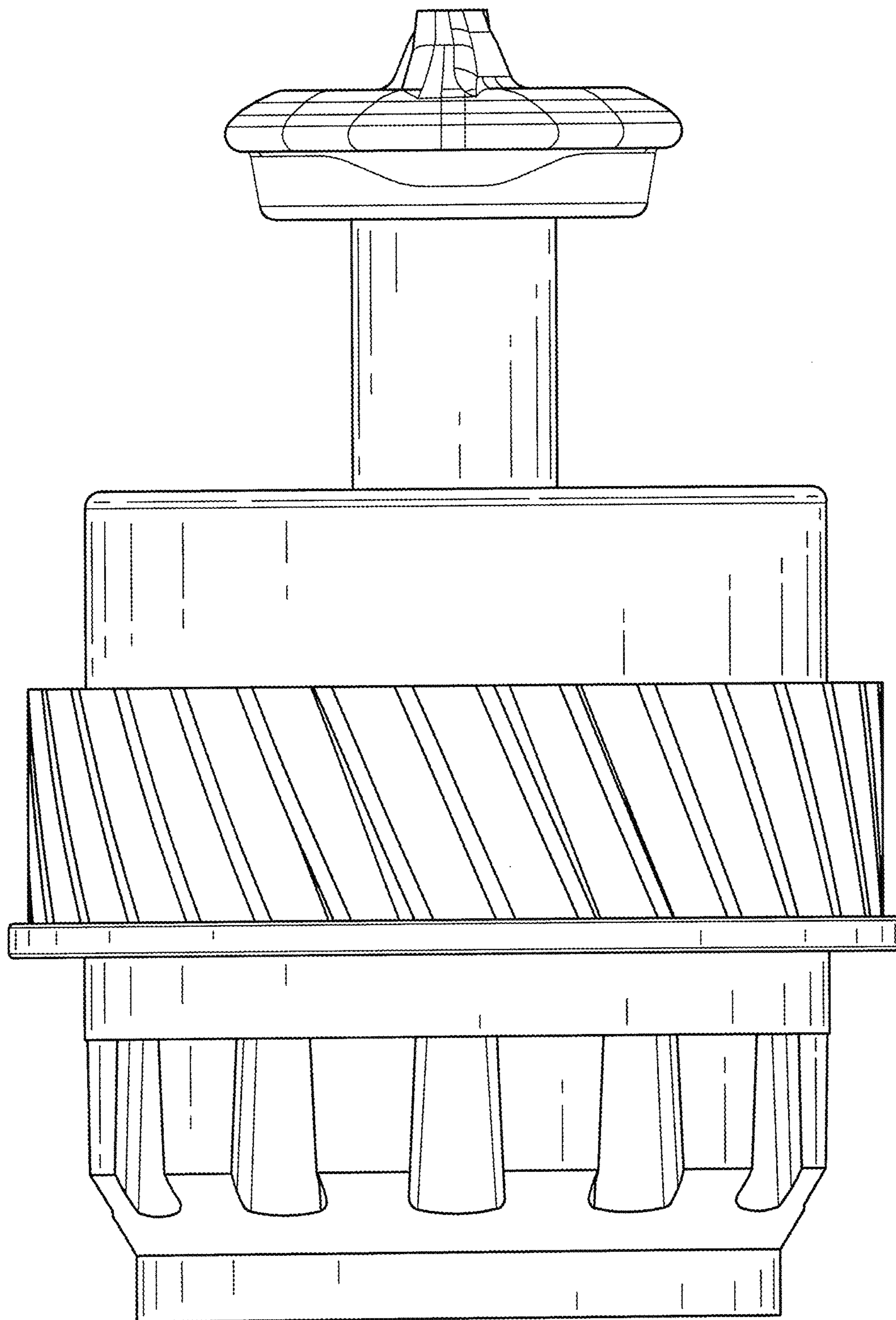


FIG. 6

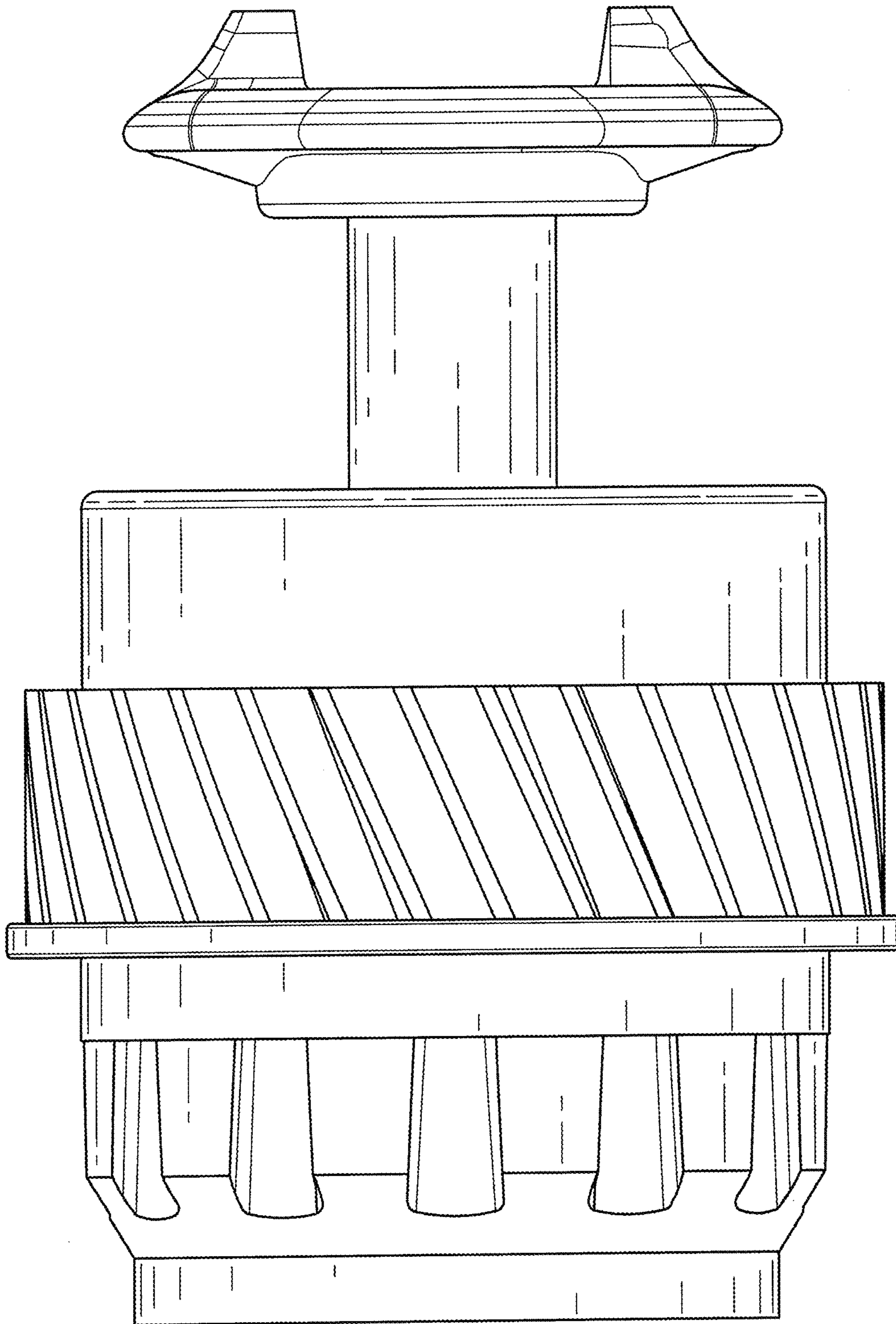




FIG. 7

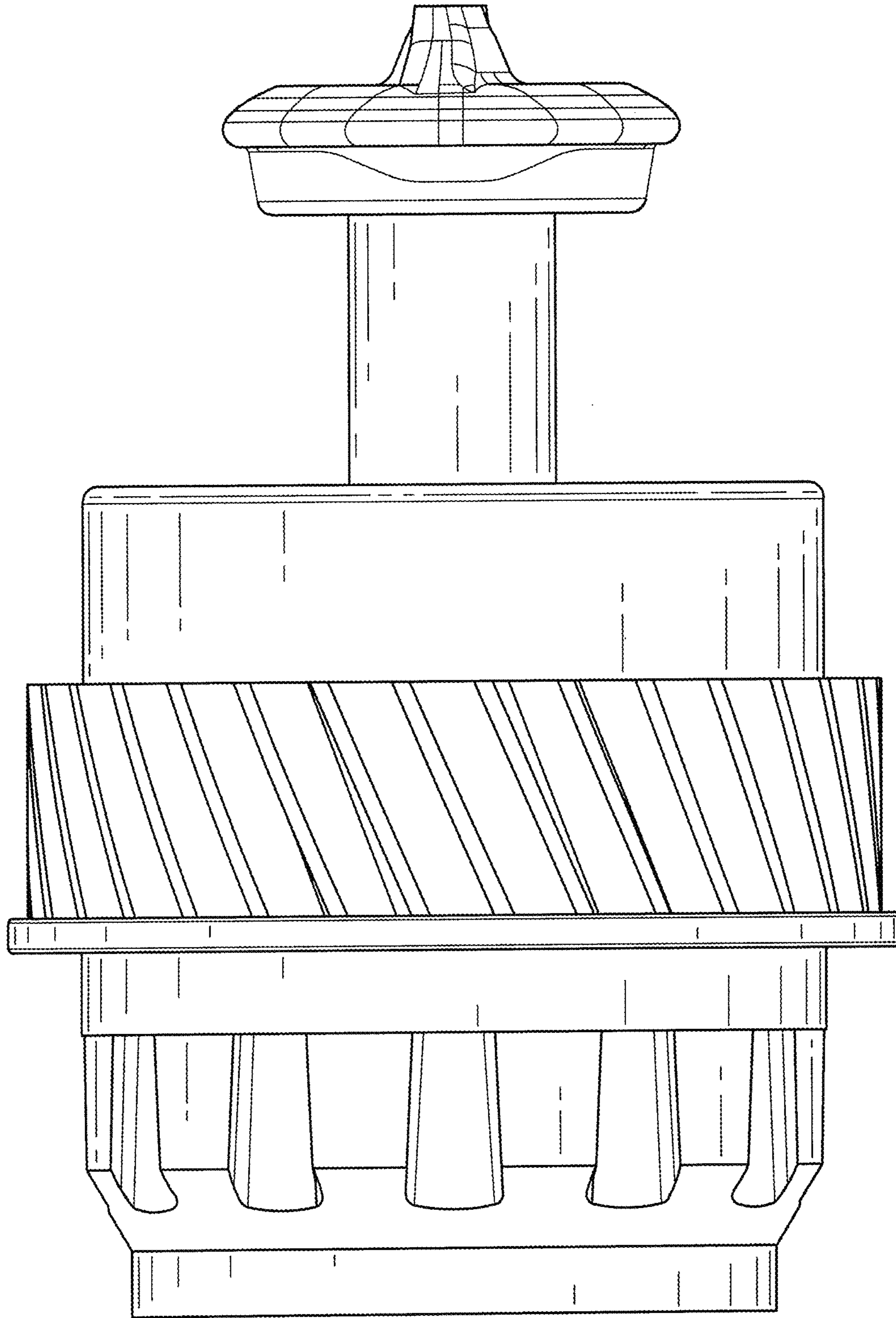


FIG. 8

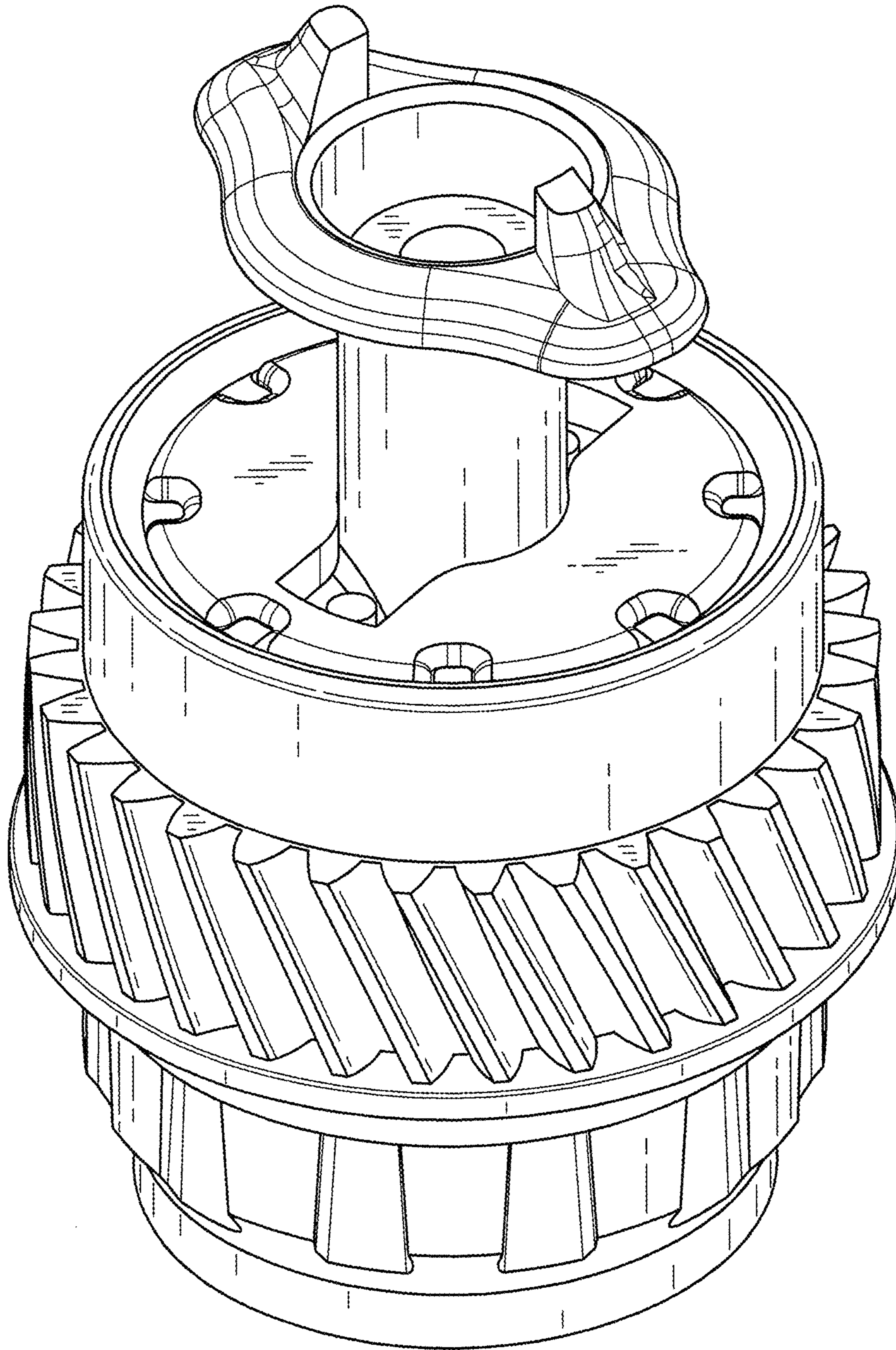


FIG. 9

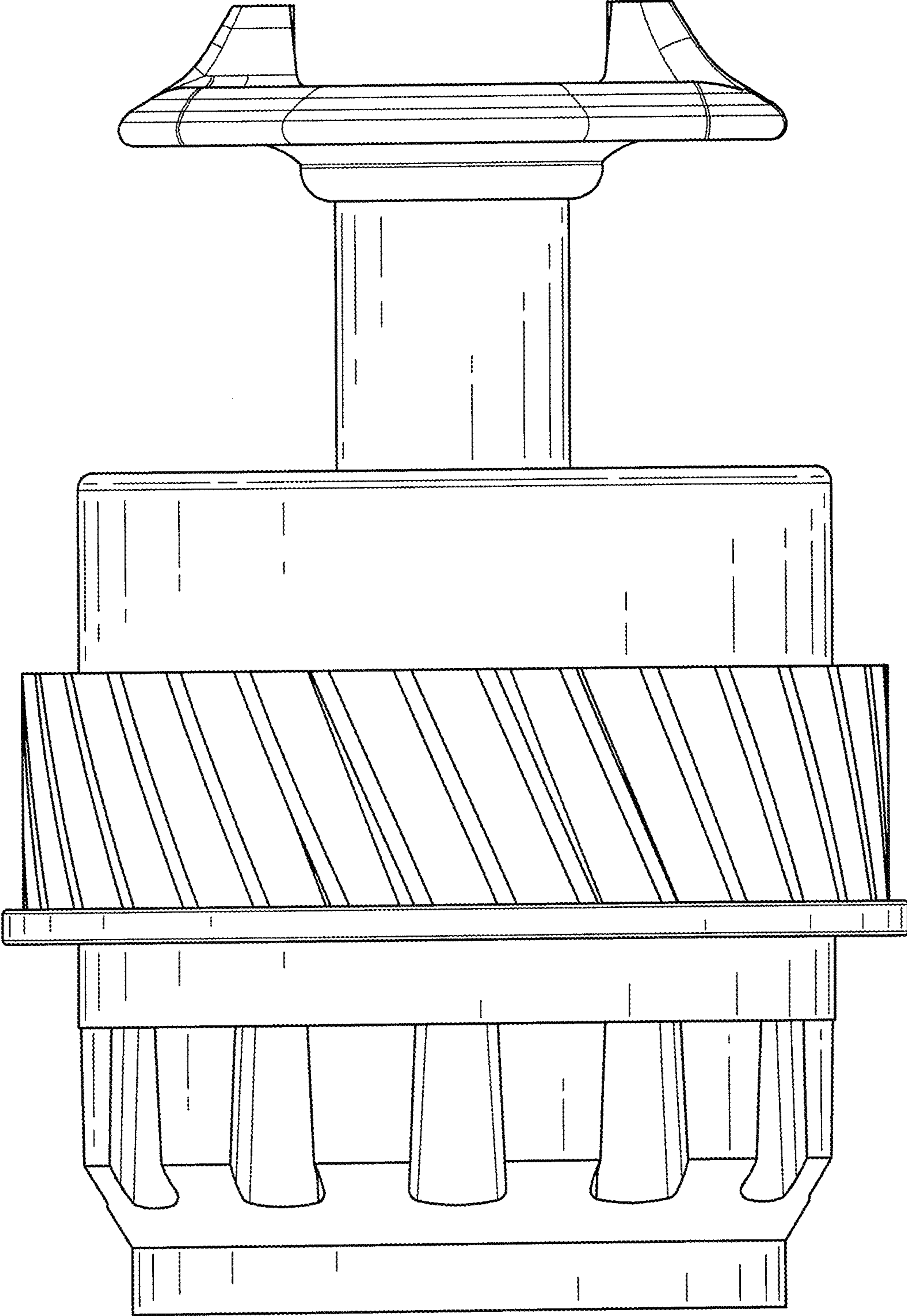


FIG. 10

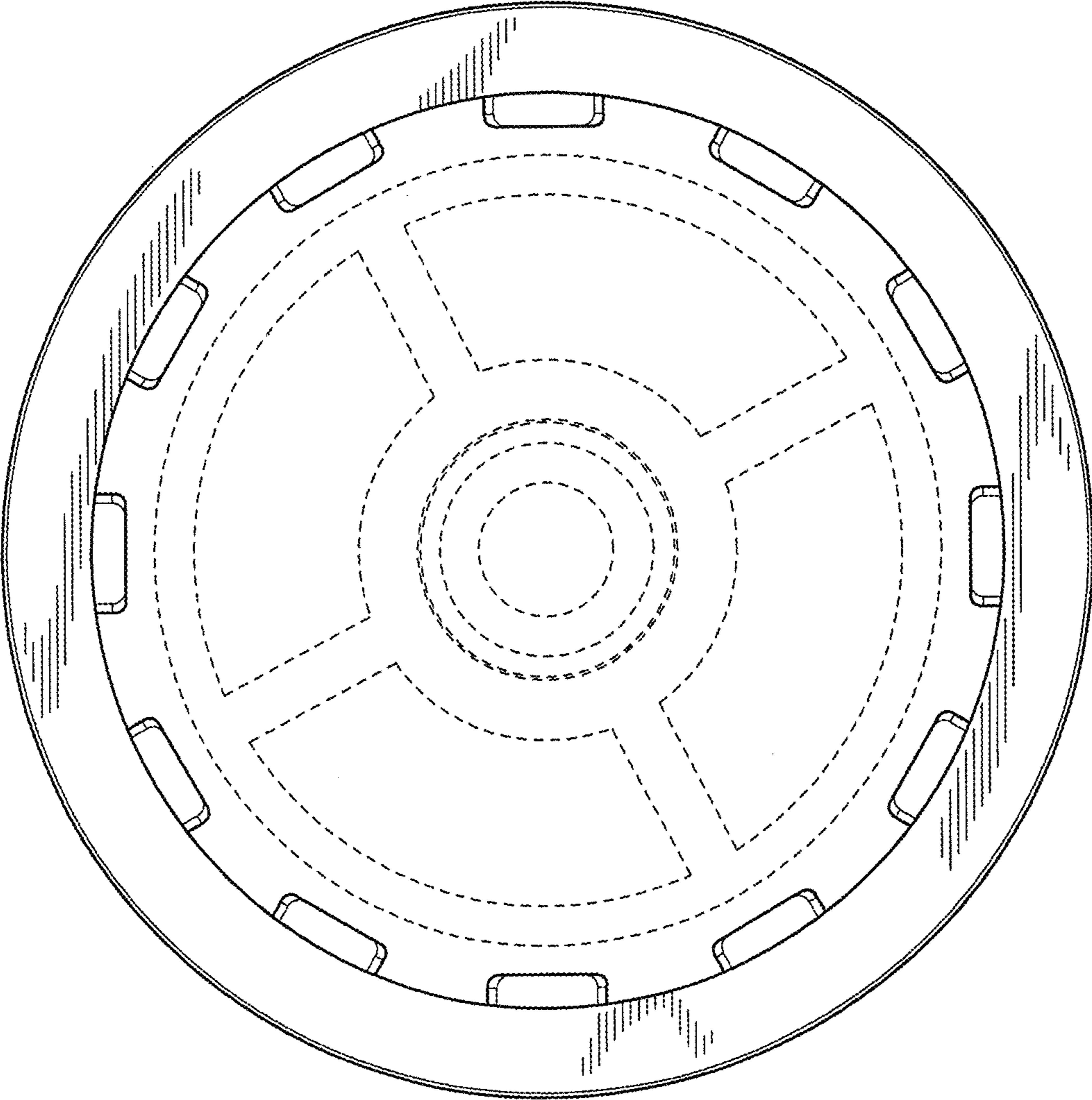


FIG. 11

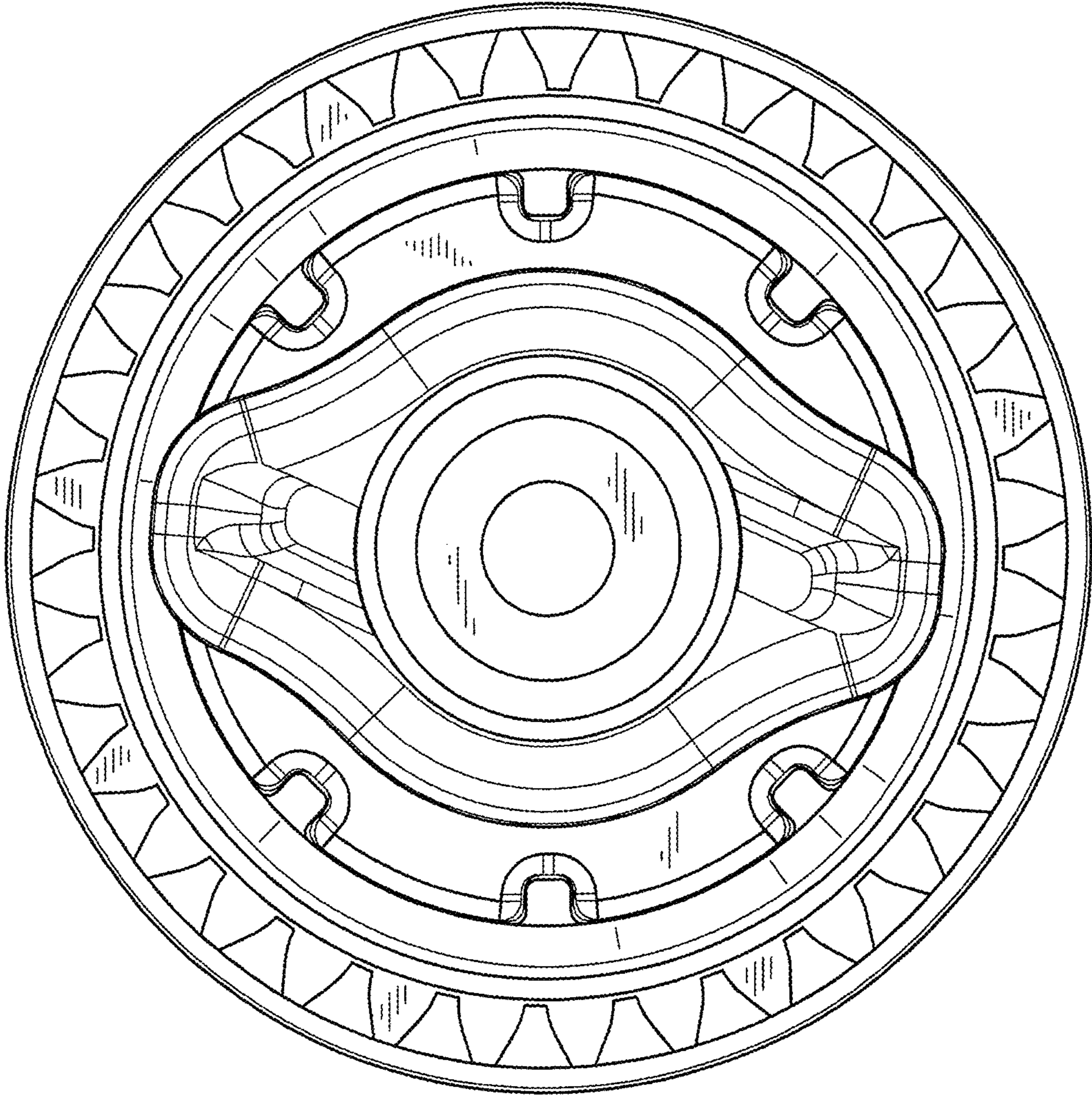


FIG. 12

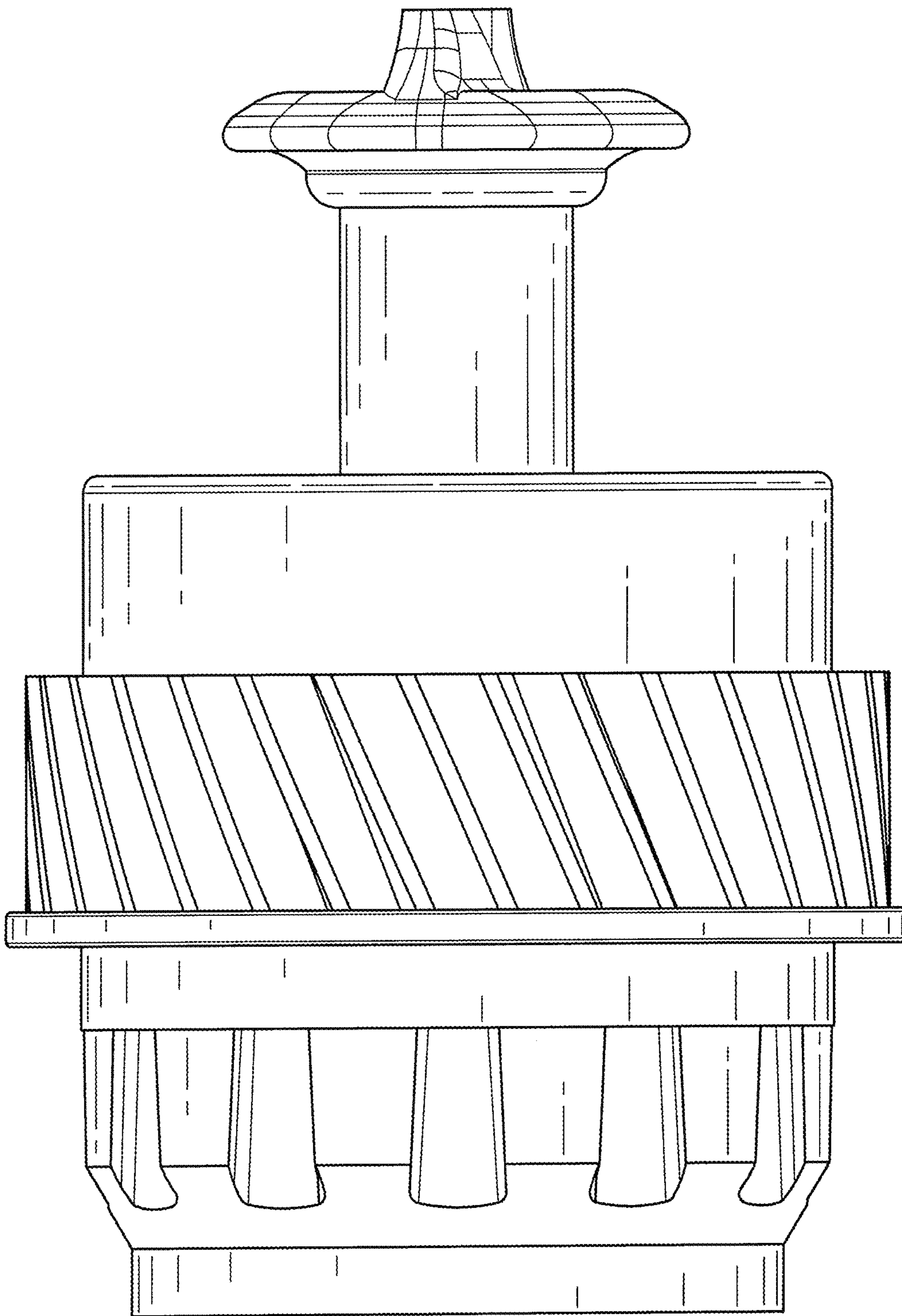


FIG. 13

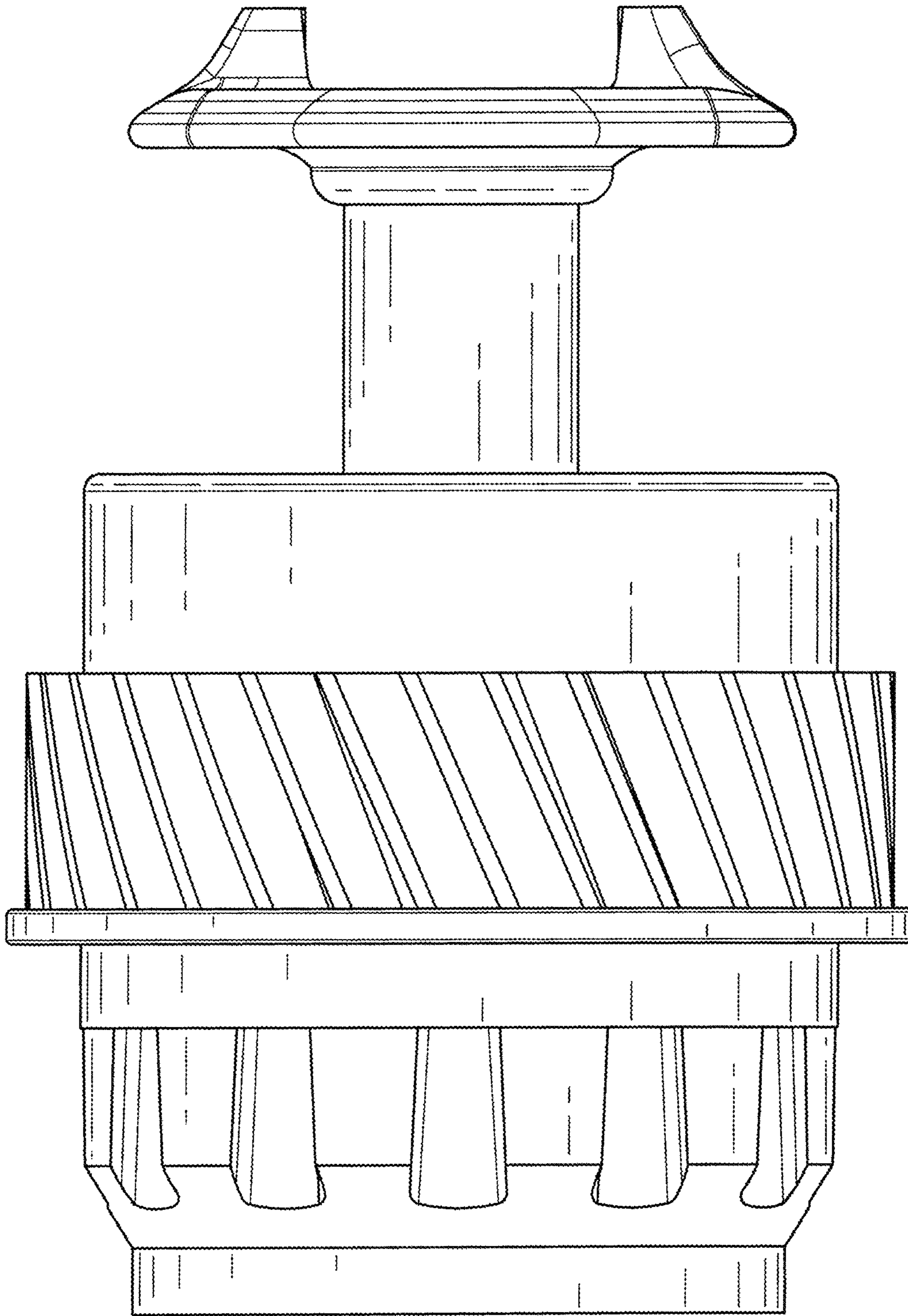


FIG. 14

