



US00D779585S

(12) **United States Design Patent** (10) **Patent No.:** **US D779,585 S**  
**Dedrick** (45) **Date of Patent:** **\*\* Feb. 21, 2017**

(54) **GUITAR NECK SUPPORT**  
(71) Applicant: **Ted Randall Dedrick**, Encinitas, CA (US)  
(72) Inventor: **Ted Randall Dedrick**, Encinitas, CA (US)  
(\*\*) Term: **15 Years**

D702,065 S \* 4/2014 Moore ..... D6/682.4  
D707,475 S \* 6/2014 Triato ..... D6/682.3  
D725,407 S \* 3/2015 McCracken ..... D6/601  
D736,867 S \* 8/2015 Glickfield ..... D21/671  
D738,126 S \* 9/2015 Edwards ..... D6/349  
D738,145 S \* 9/2015 Danford ..... D6/682.3  
D738,711 S \* 9/2015 Tally ..... D8/380  
D741,151 S \* 10/2015 Iseminger ..... D8/356  
D754,459 S \* 4/2016 Wilton ..... D6/682.3  
2005/0285003 A1\* 12/2005 Craw ..... B65D 81/053  
248/345.1

(21) Appl. No.: **29/505,675**  
(22) Filed: **Dec. 28, 2015**

(Continued)

(51) **LOC (10) Cl.** ..... **17-03**  
(52) **U.S. Cl.**  
USPC ..... **D17/20**  
(58) **Field of Classification Search**  
USPC ..... D17/20; D6/349, 515; D21/671; D8/349,  
D8/354, 367  
CPC ..... A47G 9/1081; A47G 2009/1018;  
A47G 9/10  
See application file for complete search history.

**OTHER PUBLICATIONS**

Crimson Guitar, Rockin' Neck Rest, no post date, [online], [site visited on Sep. 27, 2016]. Available from Internet, <URL: <http://crimsonguitars.com/store/luthiers-tools/fretting/rockin-neck-rest/>>.\*

(Continued)

*Primary Examiner* — Sheryl Lane  
*Assistant Examiner* — Samantha Wood

(56) **References Cited**

**U.S. PATENT DOCUMENTS**

D337,211 S \* 7/1993 Bergkvist ..... D6/349  
D342,401 S \* 12/1993 Kempton ..... D6/682  
D431,832 S \* 10/2000 Stuart ..... D17/20  
6,259,007 B1 \* 7/2001 Stuart ..... G10G 5/005  
84/281  
6,851,146 B1 \* 2/2005 Kristof ..... A45D 44/10  
5/636  
7,394,006 B2 \* 7/2008 Bordignon ..... G10G 5/00  
248/443  
D581,250 S \* 11/2008 Florent ..... D8/349  
D596,875 S \* 7/2009 Small ..... D6/682  
D619,825 S \* 7/2010 Dedrick ..... D6/682  
7,777,110 B2 \* 8/2010 Wallis ..... G10G 5/00  
248/443  
D679,117 S \* 4/2013 Werner ..... D6/682.4  
D695,367 S \* 12/2013 Lovegrove ..... D21/671

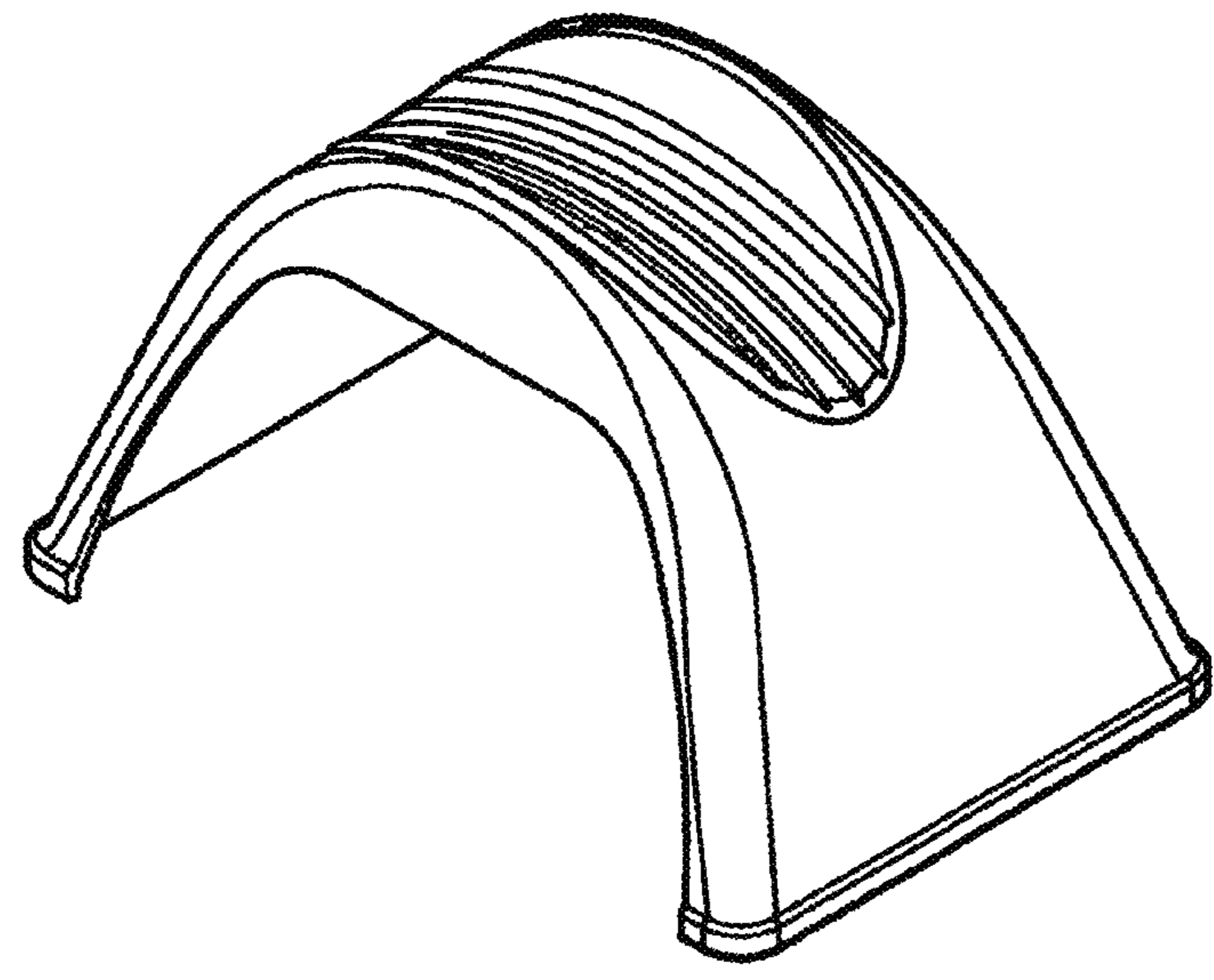
(57) **CLAIM**

The ornamental design for a guitar neck support, as shown.

**DESCRIPTION**

FIG. 1 is a top perspective view of a guitar neck support; FIG. 2 is a bottom perspective view thereof; FIG. 3 is a top plan view thereof; FIG. 4 is a right side elevational view thereof; FIG. 5 is a rear elevational view thereof; and, FIG. 6 is a bottom plan view thereof. The left side elevational view thereof is an identical, mirror-image of FIG. 4, and is, therefore, not illustrated here. Also, the front elevational view thereof is an identical, mirror-image of FIG. 5, and is, therefore, not illustrated here.

**1 Claim, 3 Drawing Sheets**



(56)

**References Cited**

U.S. PATENT DOCUMENTS

2013/0191997 A1\* 8/2013 Dennewald ..... A47G 9/1081  
5/636

OTHER PUBLICATIONS

Amazon, Babybjorn Step Stool—White, no post date, customer review on Oct. 30, 2002, [online], [site visited on Sep. 27, 2016]. Available from Internet, <URL: <https://www.amazon.com/BabyBj%C3%B6rn-061121US-BABYBJORN-Step-Stool/dp/B0009OLSY4?th=1>>.\*

\* cited by examiner

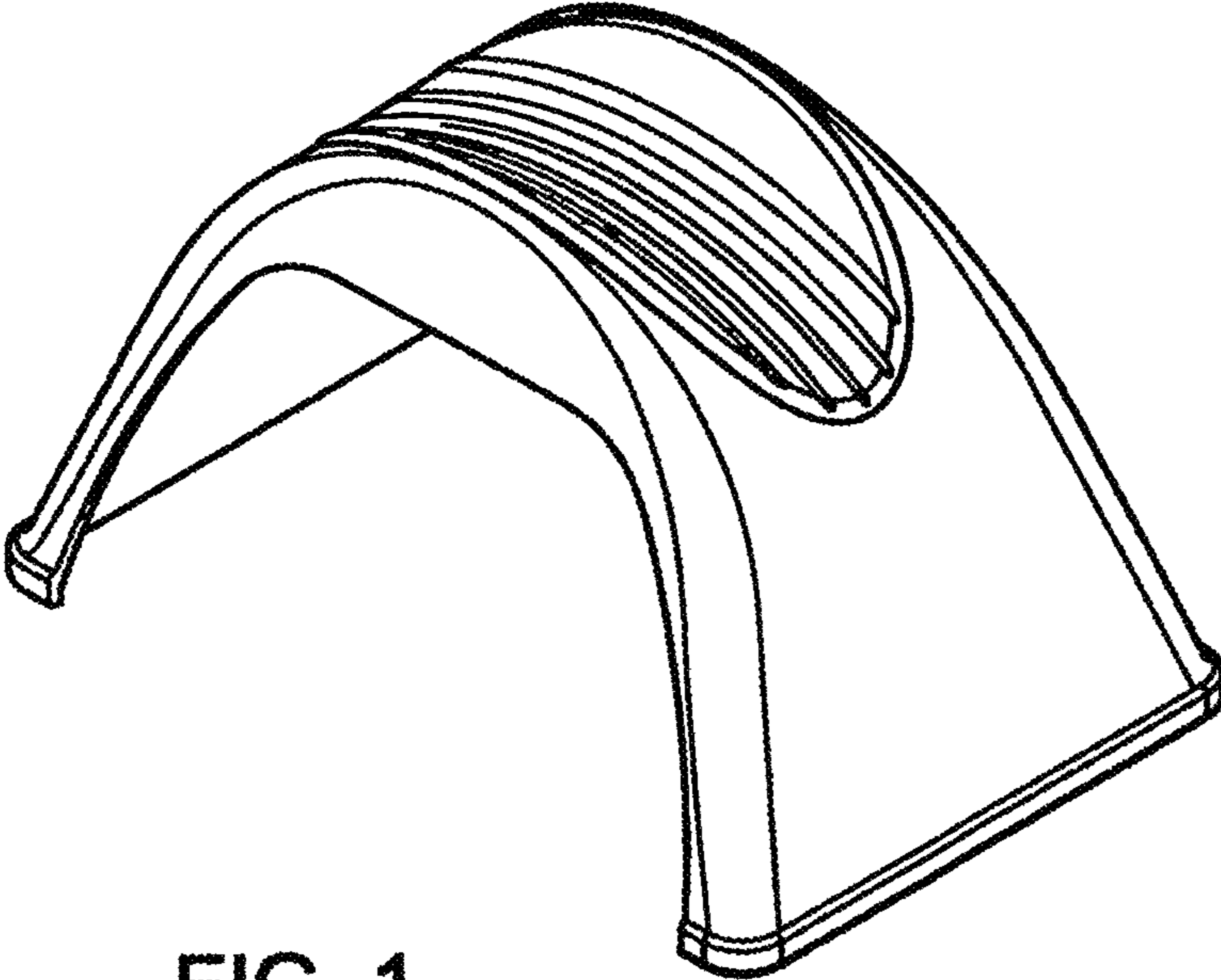


FIG. 1

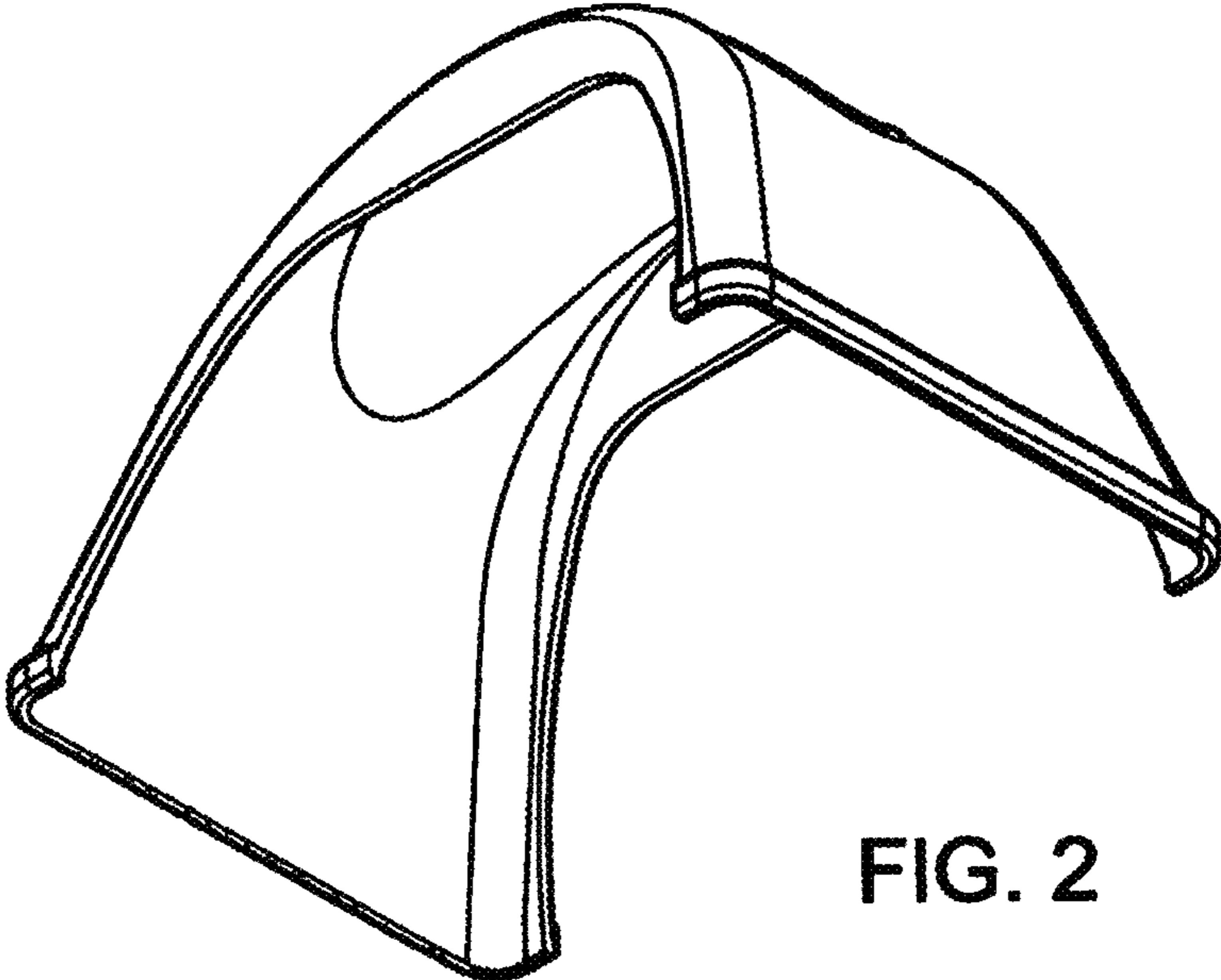


FIG. 2

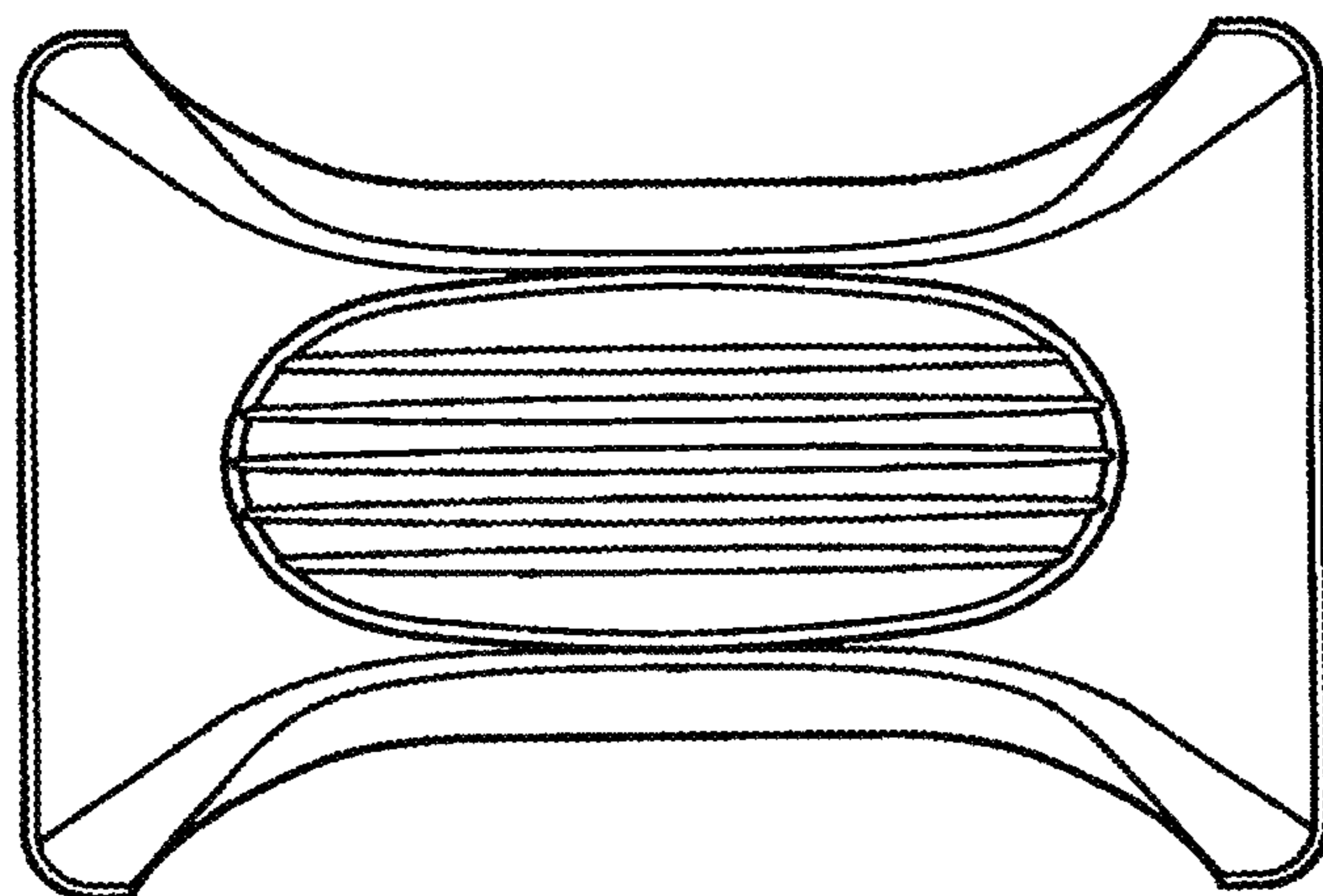


FIG. 3

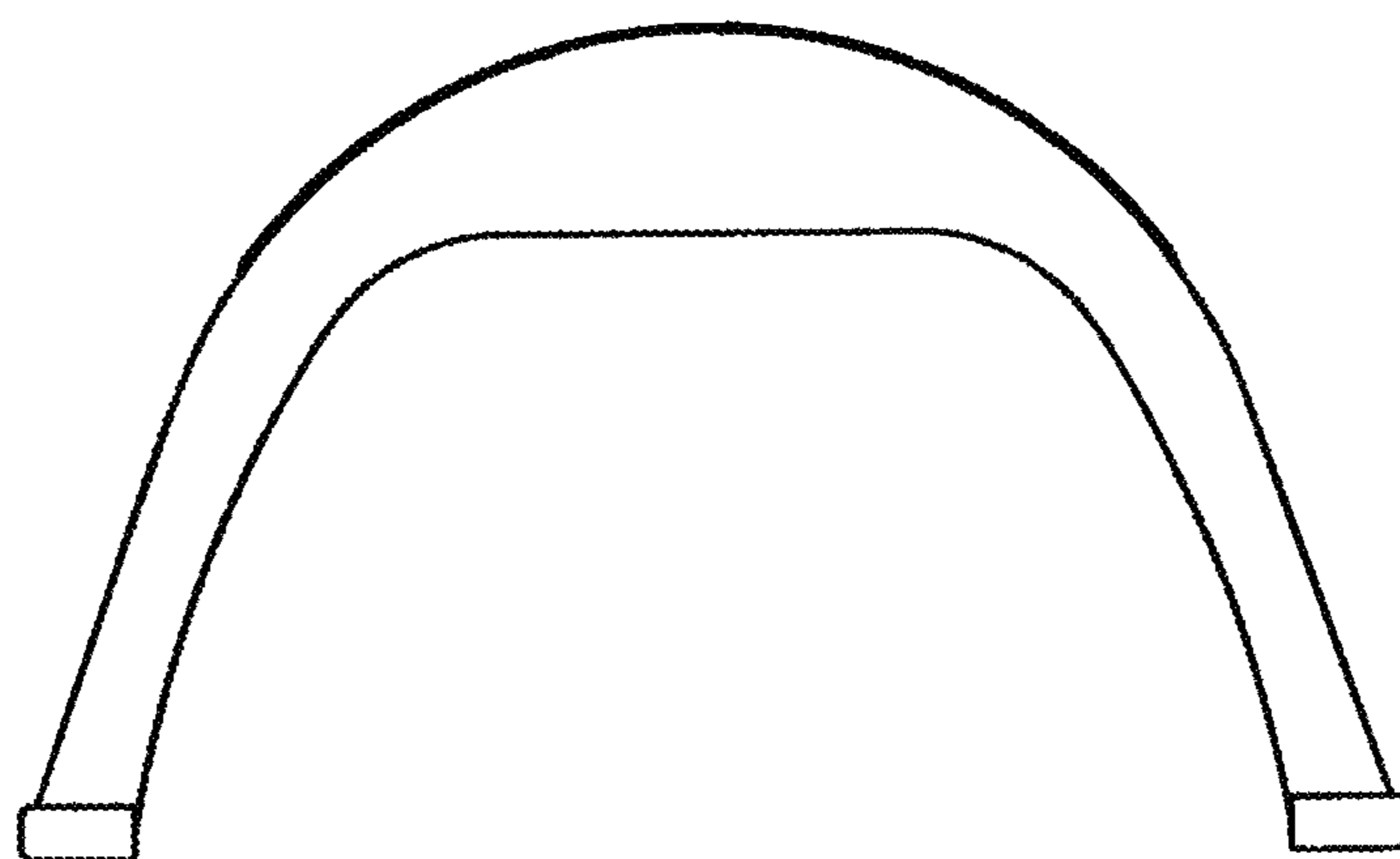


FIG. 4

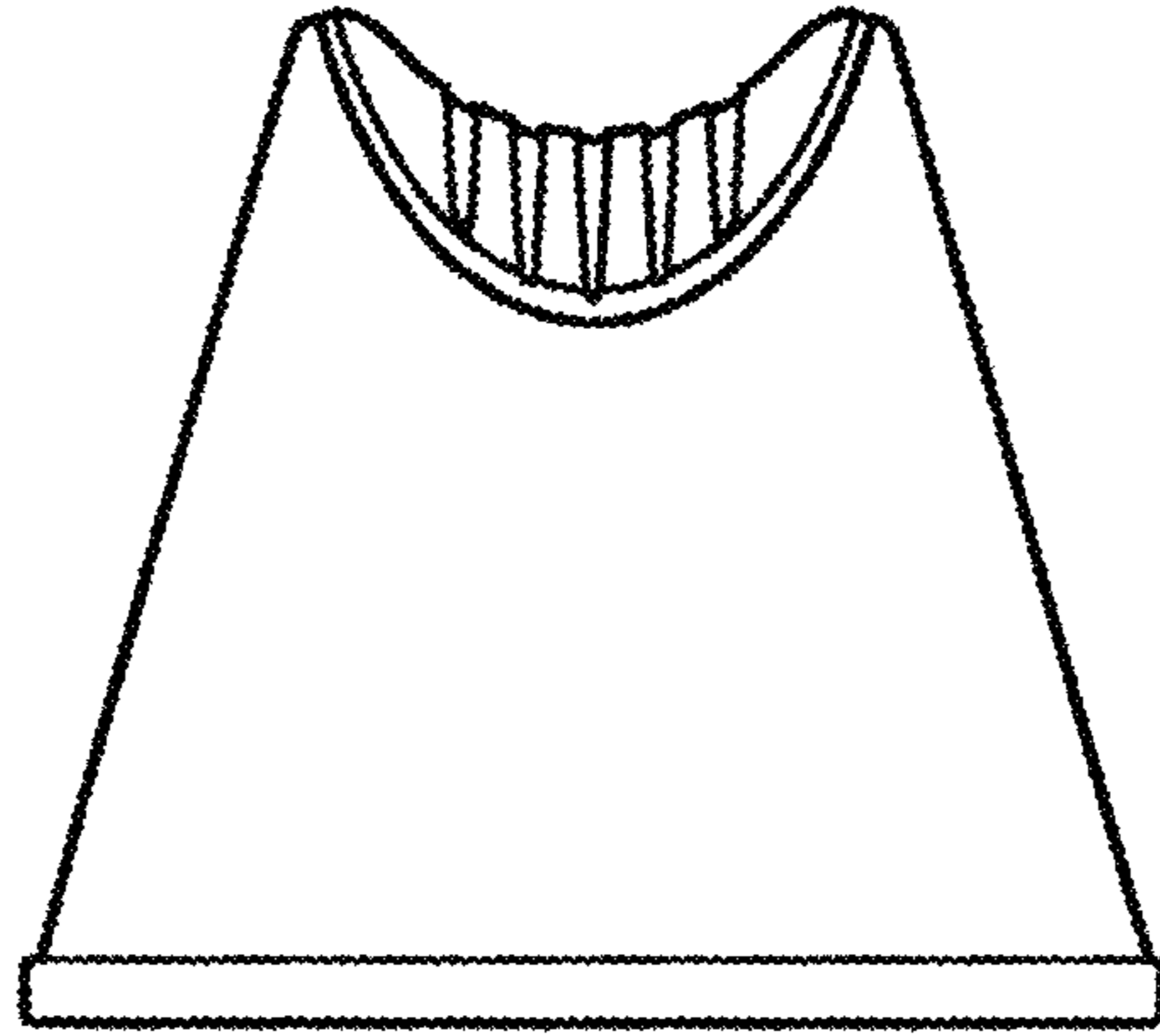


FIG. 5

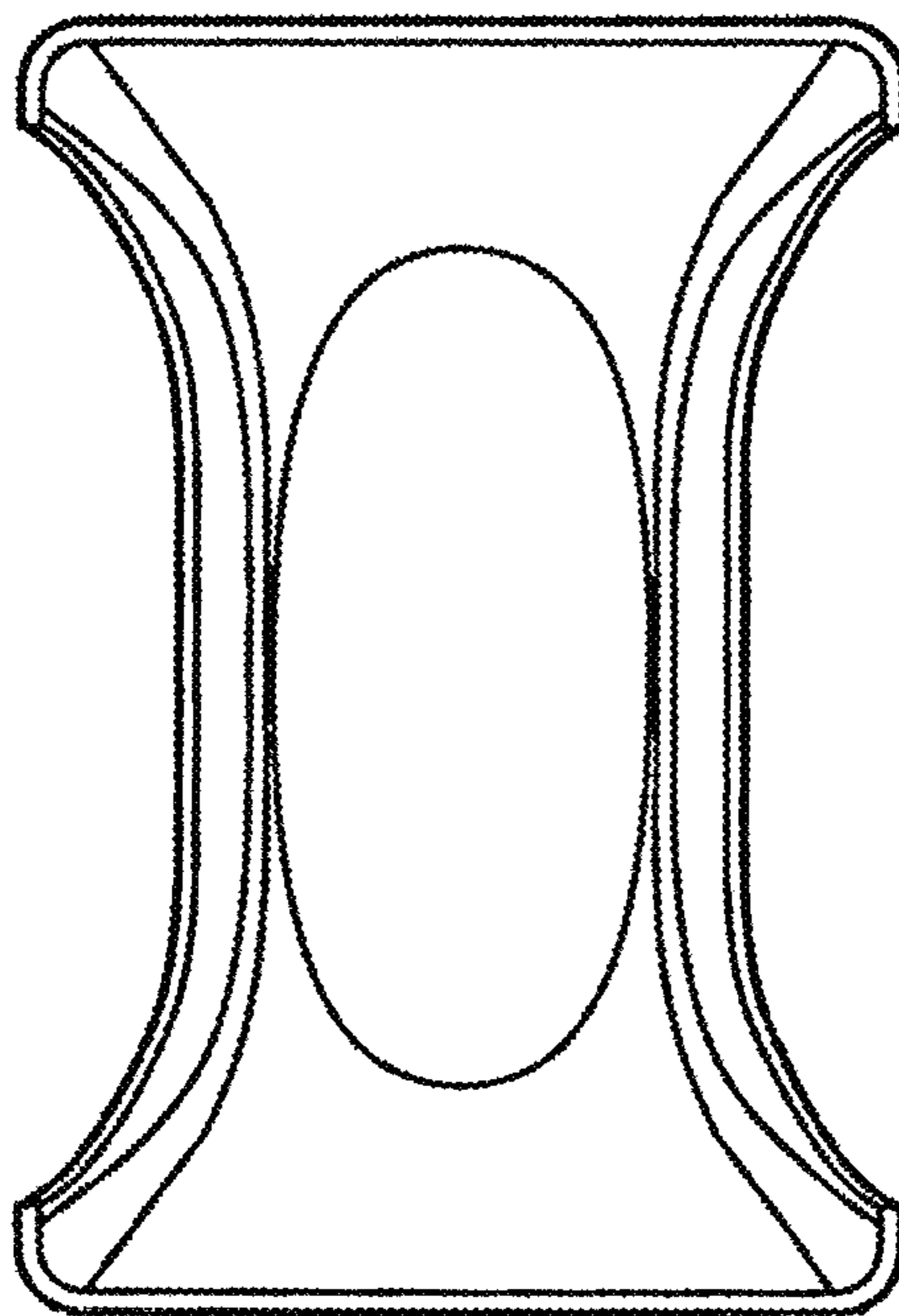


FIG. 6