



US00D779581S

(12) **United States Design Patent**  
**Tempel**

(10) **Patent No.:** **US D779,581 S**

(45) **Date of Patent:** **\*\* Feb. 21, 2017**

(54) **EYEGLASSES**

(71) Applicant: **Tempel Tantrum Industries LLC**,  
Phoenix, AZ (US)

(72) Inventor: **Ryan Z. Tempel**, Phoenix, AZ (US)

(\*\*) Term: **15 Years**

(21) Appl. No.: **29/539,938**

(22) Filed: **Sep. 18, 2015**

(51) **LOC (10) Cl.** ..... **16-06**

(52) **U.S. Cl.**

USPC ..... **D16/309**; D16/325; D16/327; D16/335

(58) **Field of Classification Search**

USPC ..... D16/101, 300-342, 900; D29/109-110;  
351/41, 44, 51-52, 62, 158, 92, 103-123,  
351/140-153, 63, 59, 45-48; 2/426-432,  
2/447-449, 441, 434-437, 440, 442, 13,  
2/15; D21/483, 659-661; D14/372;  
D8/356

CPC ..... G02C 2200/08; G02C 1/06; G02C 5/14;  
G02C 11/02; G02C 11/04; G01C 5/16;  
A61M 2021/0044; A63B 33/002

See application file for complete search history.

(56) **References Cited**

**U.S. PATENT DOCUMENTS**

D146,237 S *	1/1947	Sills .....	D16/324
3,665,122 A *	5/1972	Weiss .....	G02C 11/06 381/326
3,769,663 A *	11/1973	Perl .....	F21L 7/00 351/158
D229,975 S *	1/1974	Klugmann .....	D16/309
D523,461 S *	6/2006	Jannard .....	D16/309
D553,177 S *	10/2007	Chen .....	D16/309
D631,082 S *	1/2011	Suzuki .....	D16/306
8,152,330 B2 *	4/2012	Waters .....	F21V 21/084 351/158

D671,590 S *	11/2012	Klinar .....	D16/309
D690,761 S *	10/2013	He .....	D16/309
D692,941 S *	11/2013	Klinar .....	D16/309
D714,856 S *	10/2014	Porter .....	D16/325
D723,093 S *	2/2015	Li .....	D16/309
D748,715 S *	2/2016	Li .....	D16/309
2007/0013865 A1 *	1/2007	Jordan .....	G02C 11/04 351/158
2008/0207275 A1 *	8/2008	Lin .....	H04M 1/05 455/569.1
2009/0213323 A1 *	8/2009	Hermanson .....	G02C 11/04 351/158

\* cited by examiner

*Primary Examiner* — Raphael Barkai

(74) *Attorney, Agent, or Firm* — Thomas W. Galvani,  
P.C.; Thomas W. Galvani

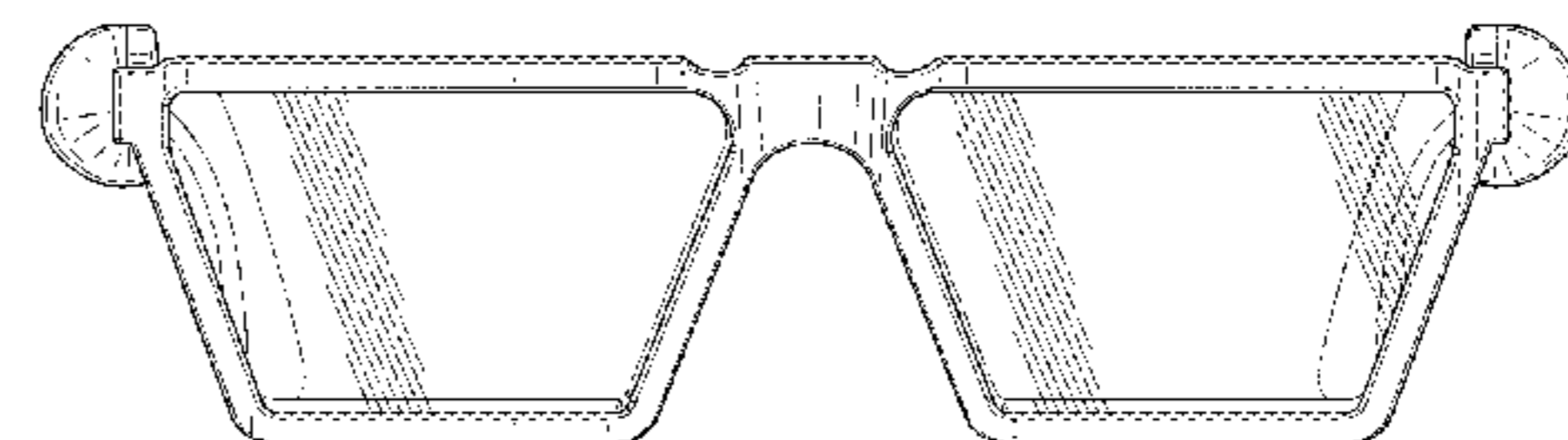
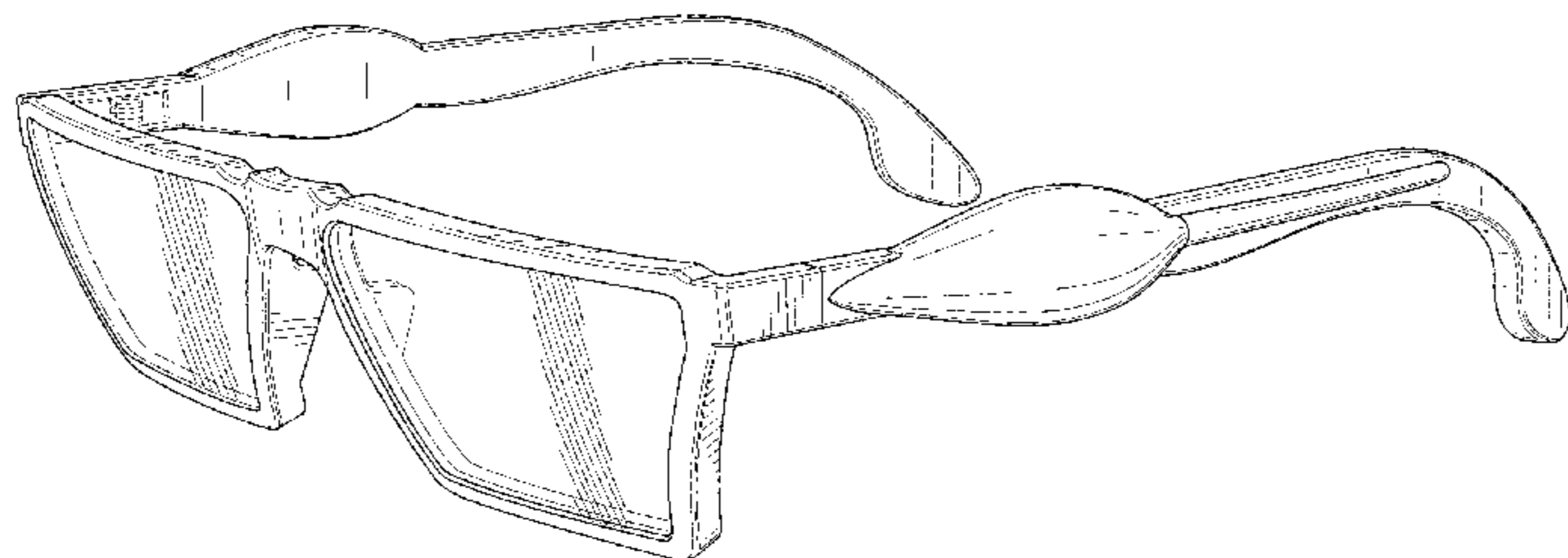
(57) **CLAIM**

The ornamental design for eyeglasses, as shown and described.

**DESCRIPTION**

FIG. 1 is a front perspective view of eyeglasses shown in accordance with my new design;  
FIG. 2 is a front elevation view of the eyeglasses shown in FIG. 1;  
FIG. 3 is a rear elevation view of the eyeglasses shown in FIG. 1;  
FIG. 4 is a top plan view of the eyeglasses shown in FIG. 1;  
FIG. 5 is a bottom plan view of the eyeglasses shown in FIG. 1;  
FIG. 6 is a right side elevation view of the eyeglasses shown in FIG. 1;  
FIG. 7 is a left side elevation view of the eyeglasses shown in FIG. 1; and,  
FIG. 8 is a rear perspective view of the eyeglasses shown in FIG. 1.

**1 Claim, 6 Drawing Sheets**



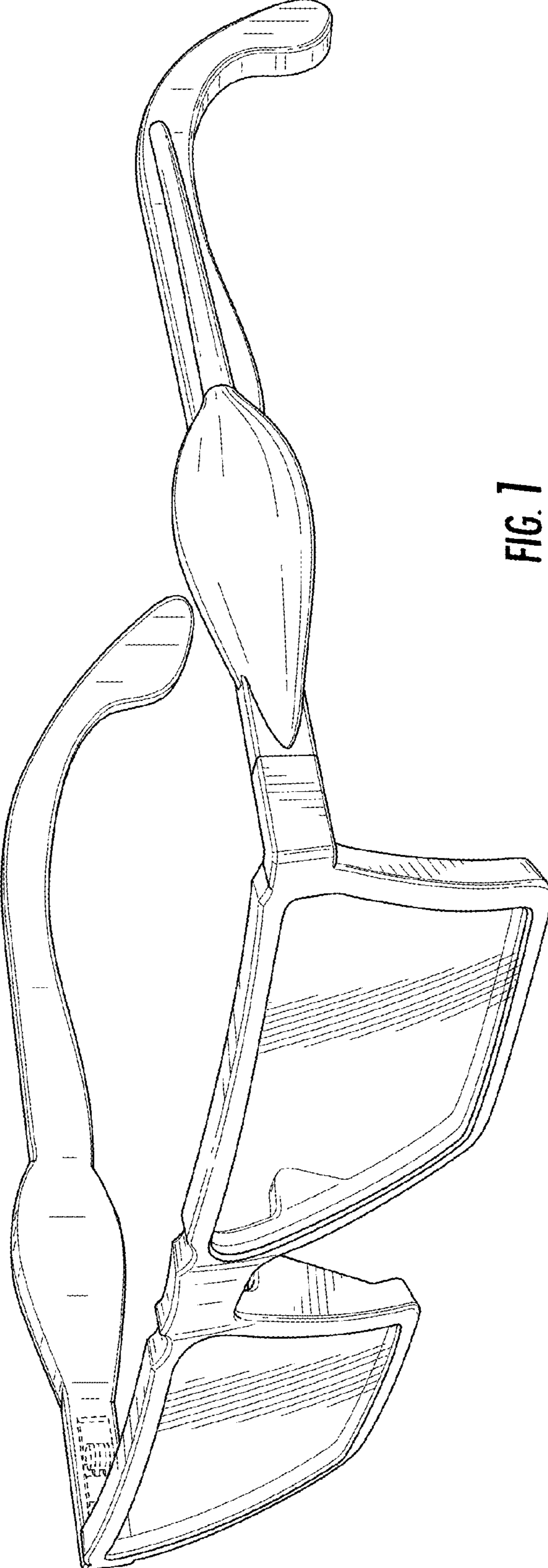


FIG. 1

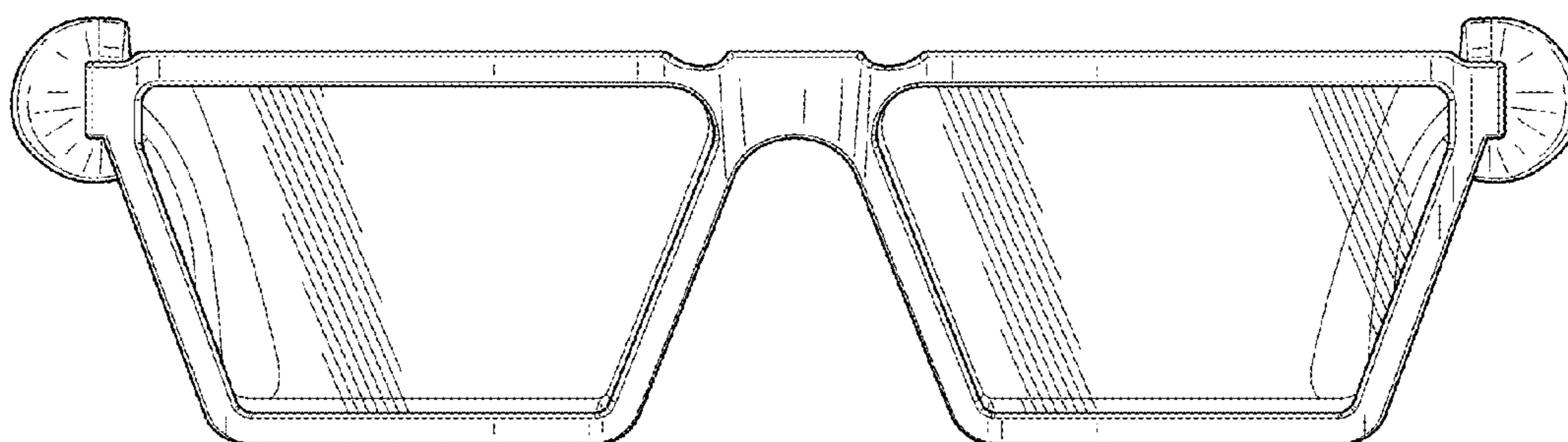


FIG. 2

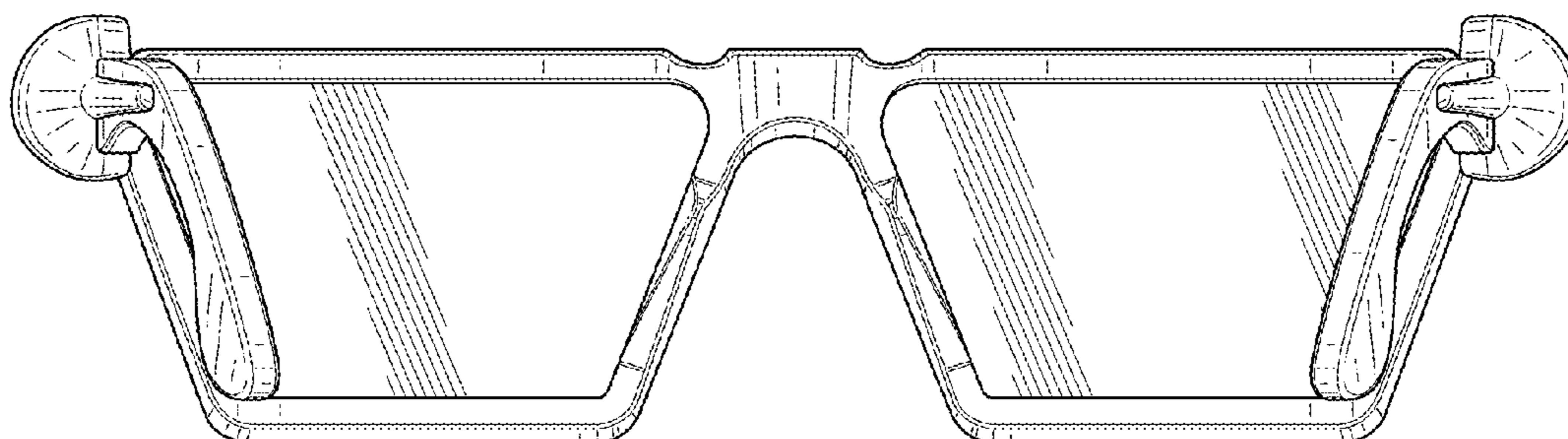


FIG. 3

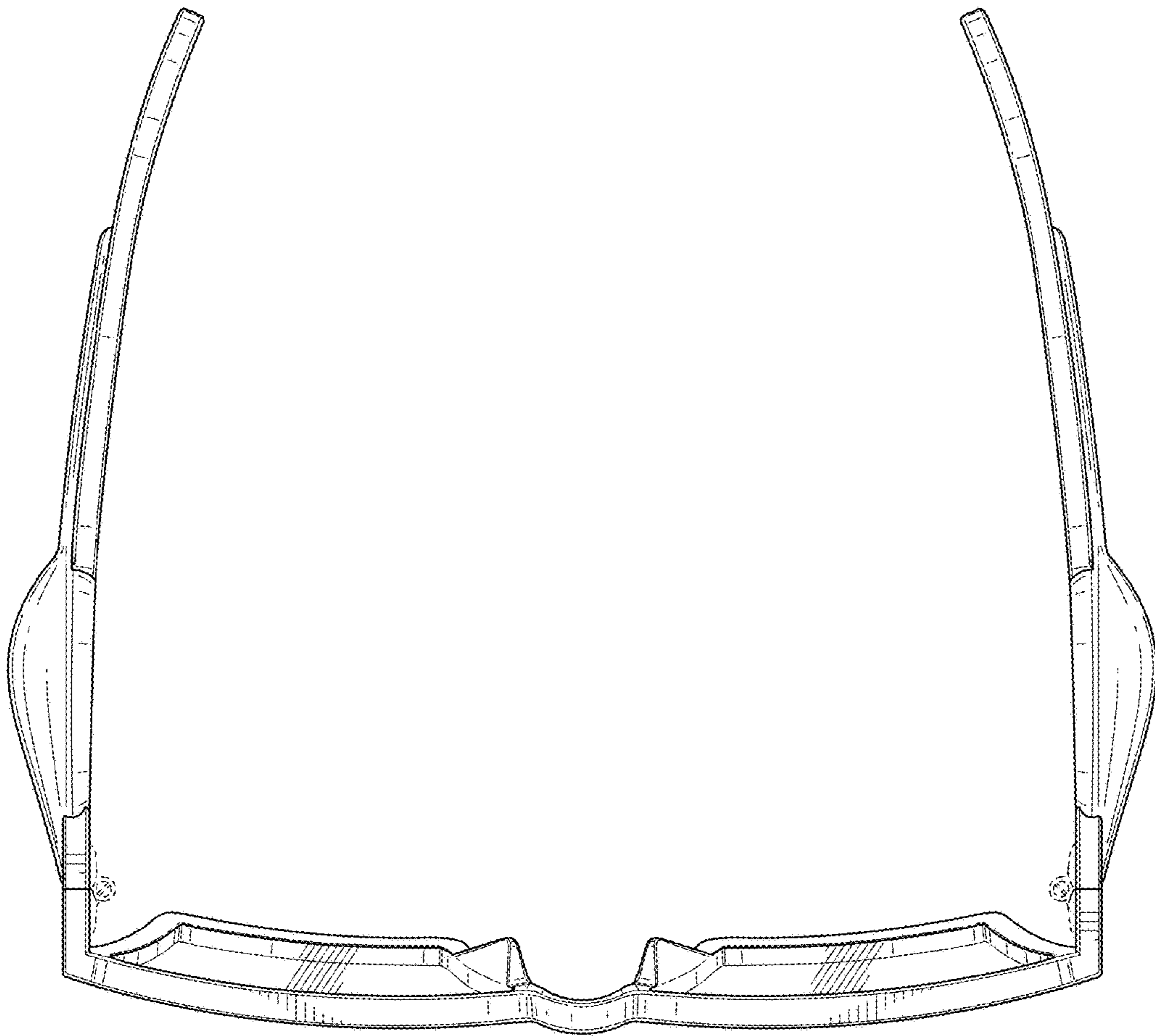


FIG. 4

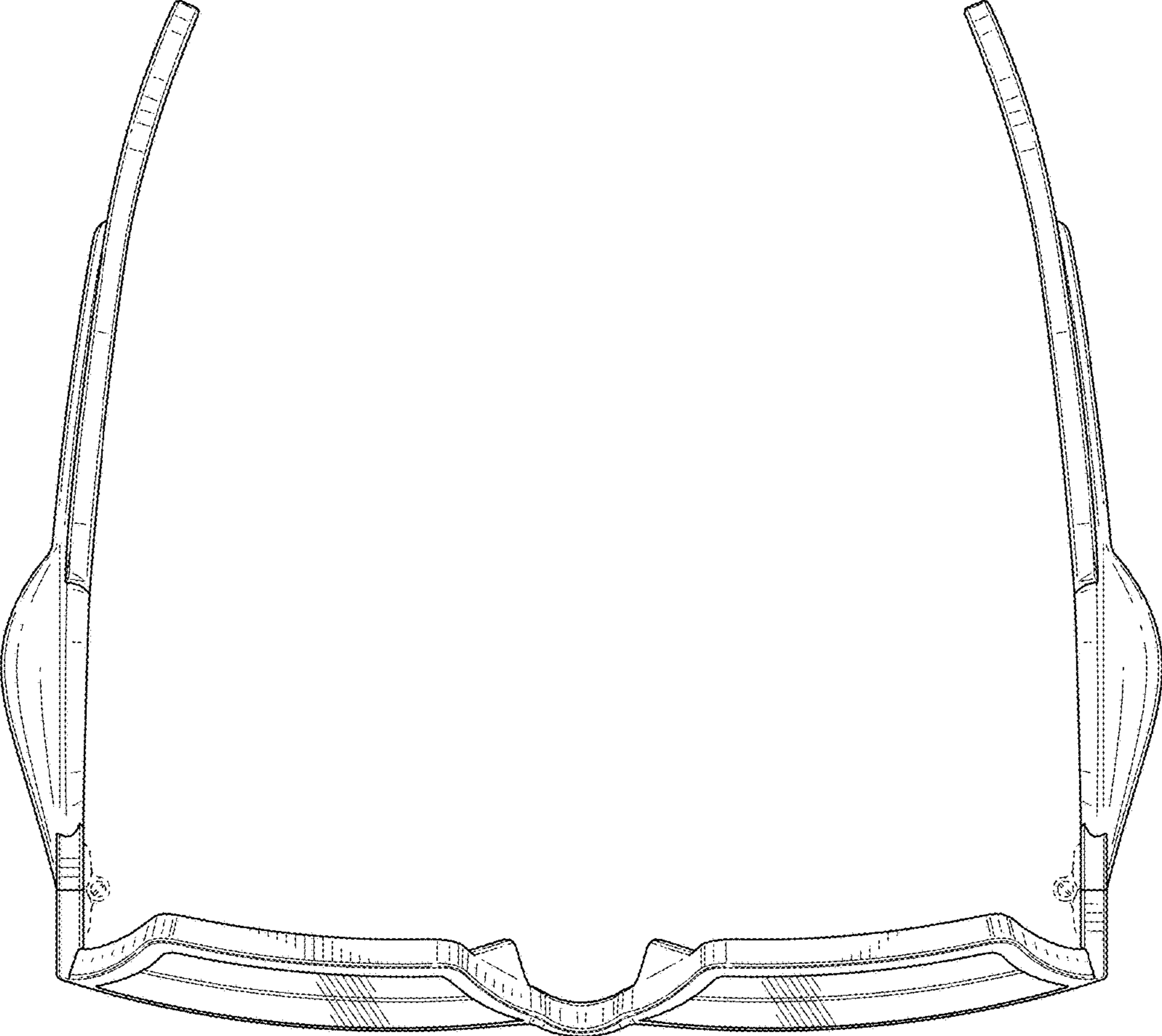


FIG. 5

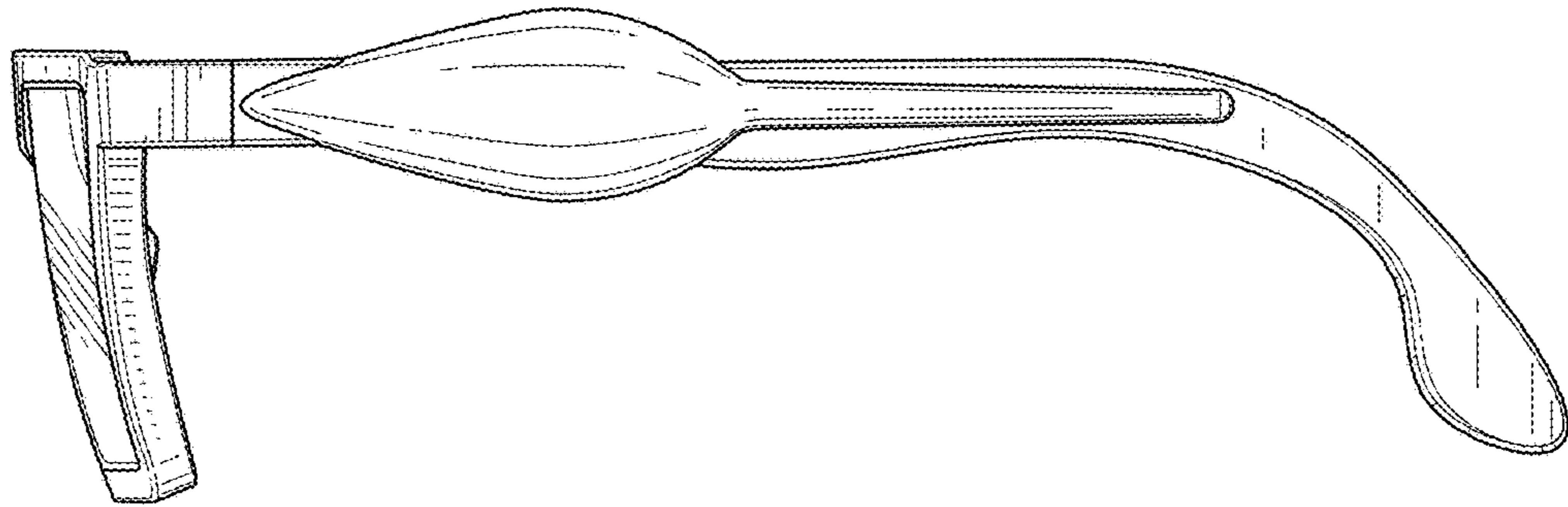


FIG. 6

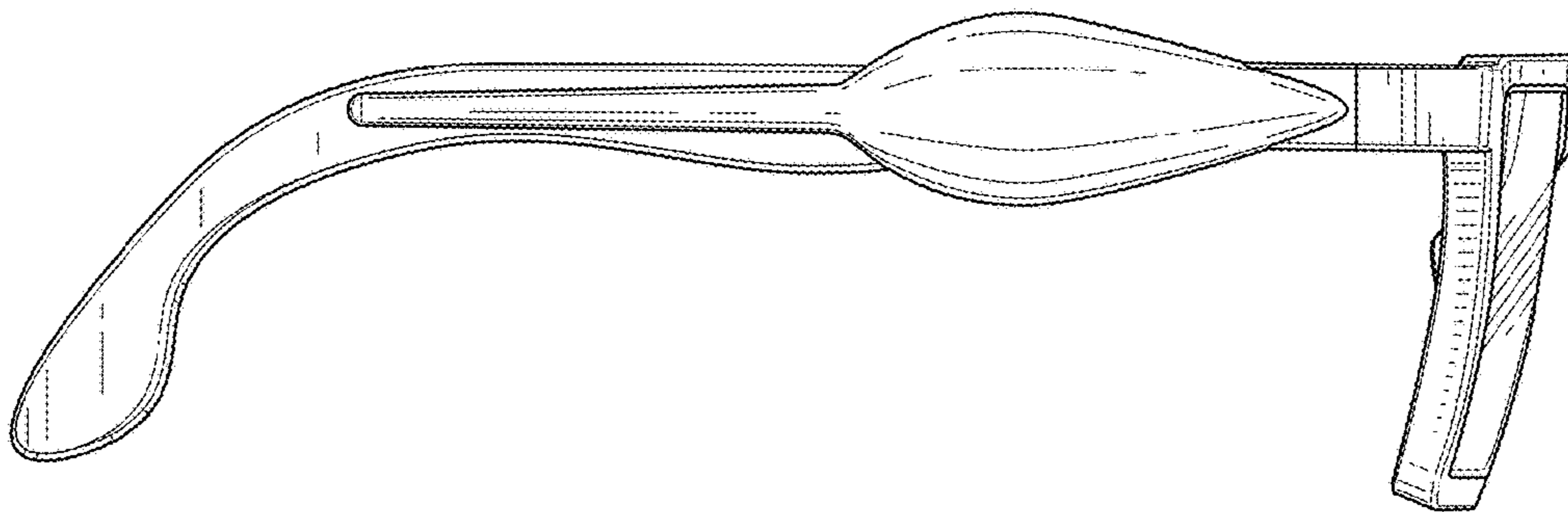


FIG. 7

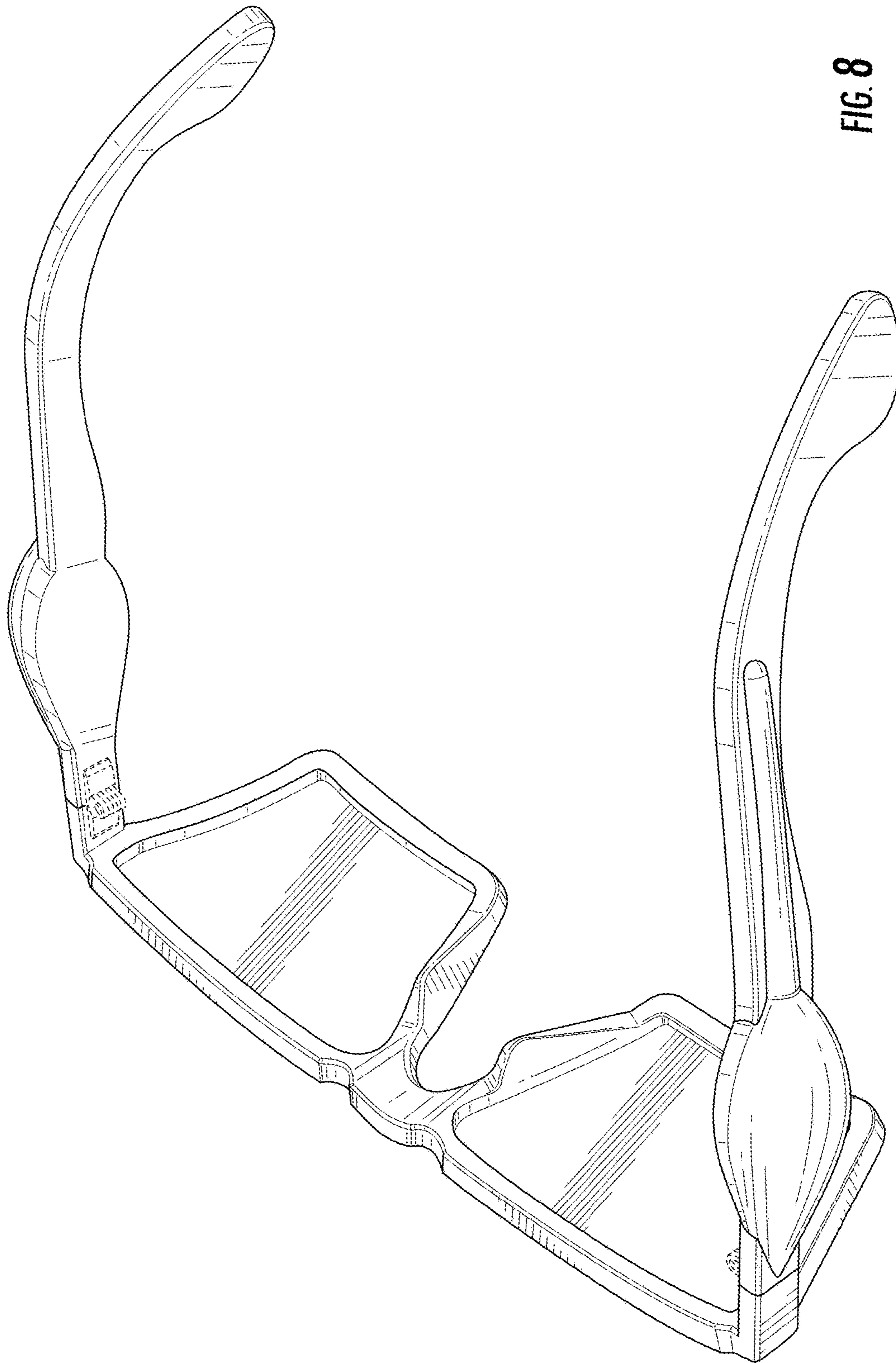


FIG. 8