



US00D779580S

(12) **United States Design Patent**  
**Jia**

(10) **Patent No.:** **US D779,580 S**

(45) **Date of Patent:** **\*\* Feb. 21, 2017**

(54) **ATTACHABLE AUDIO INTERFACE  
APPARATUS FOR MOBILE DEVICES AND  
DIGITAL CAMERAS**

D623,172 S *	9/2010	Kondo	.....	D14/227
D656,175 S *	3/2012	Fong	.....	D16/242
D678,387 S *	3/2013	Stump	.....	D16/244
D712,945 S *	9/2014	Brucksch	.....	D16/132
D715,791 S *	10/2014	Yu	.....	D14/253
D737,804 S	9/2015	Fereday et al.		

(71) Applicant: **Yingzhi Jia**, Longgang District (CN)

(72) Inventor: **Yingzhi Jia**, Longgang District (CN)

(73) Assignee: **DSQN INVESTMENT CO. LTD.**,  
Shenzhen (CN)

\* cited by examiner

*Primary Examiner* — Vy Koenig

(74) *Attorney, Agent, or Firm* — Adam Bell; Matthew Kaser

(\*\*) Term: **15 Years**

(21) Appl. No.: **29/558,396**

(22) Filed: **Mar. 17, 2016**

(51) **LOC (10) Cl.** ..... **16-05**

(52) **U.S. Cl.**  
USPC ..... **D16/243; D16/237**

(58) **Field of Classification Search**  
USPC ..... D16/206, 219, 235, 237–245, 250;  
D14/167, 203.1, 203.3, 203.8, 206,  
D14/224–229, 251–253, 511  
CPC ..... G03B 17/56; G03B 17/561–17/568;  
G02B 7/00–7/002; H04N 5/2253–5/2254;  
F16M 11/04–11/12; H04R 2410/00  
See application file for complete search history.

(57) **CLAIM**

The ornamental design for an attachable audio interface apparatus for mobile devices and digital cameras, as shown and described.

**DESCRIPTION**

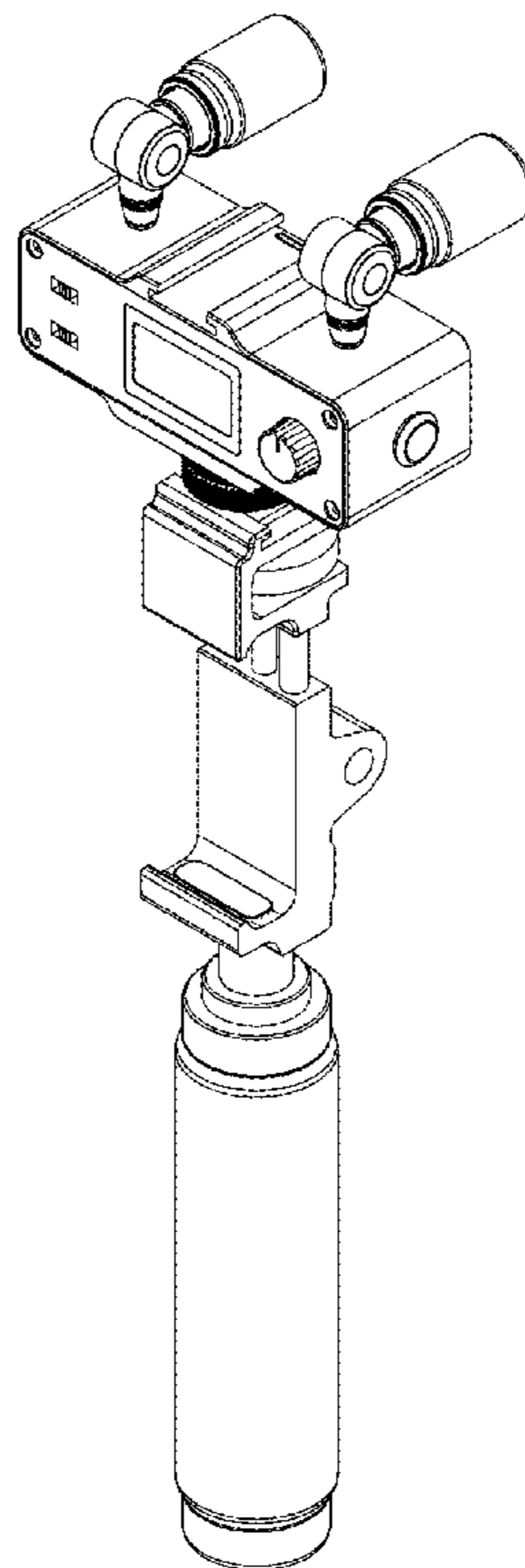
FIG. 1 is a front elevational view thereof;  
FIG. 2 is a rear elevational view thereof;  
FIG. 3 is a left side view thereof;  
FIG. 4 is a right side view thereof;  
FIG. 5 is a top plan view thereof;  
FIG. 6 is a bottom plan view thereof;  
FIG. 7 is a top, front and right side perspective view thereof;  
and,  
FIG. 8 is bottom, rear and left side perspective view thereof.

(56) **References Cited**

**U.S. PATENT DOCUMENTS**

D474,457 S *	5/2003	Cheng	.....	D14/227
D570,396 S *	6/2008	Foddis	.....	D16/242

**1 Claim, 8 Drawing Sheets**



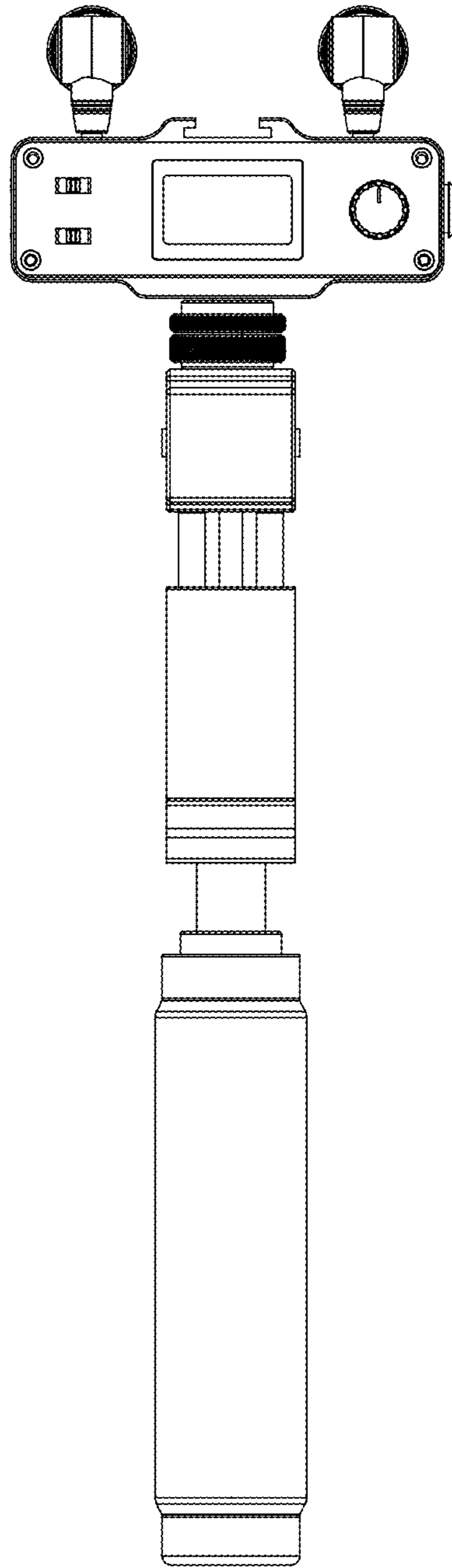


FIG. 1

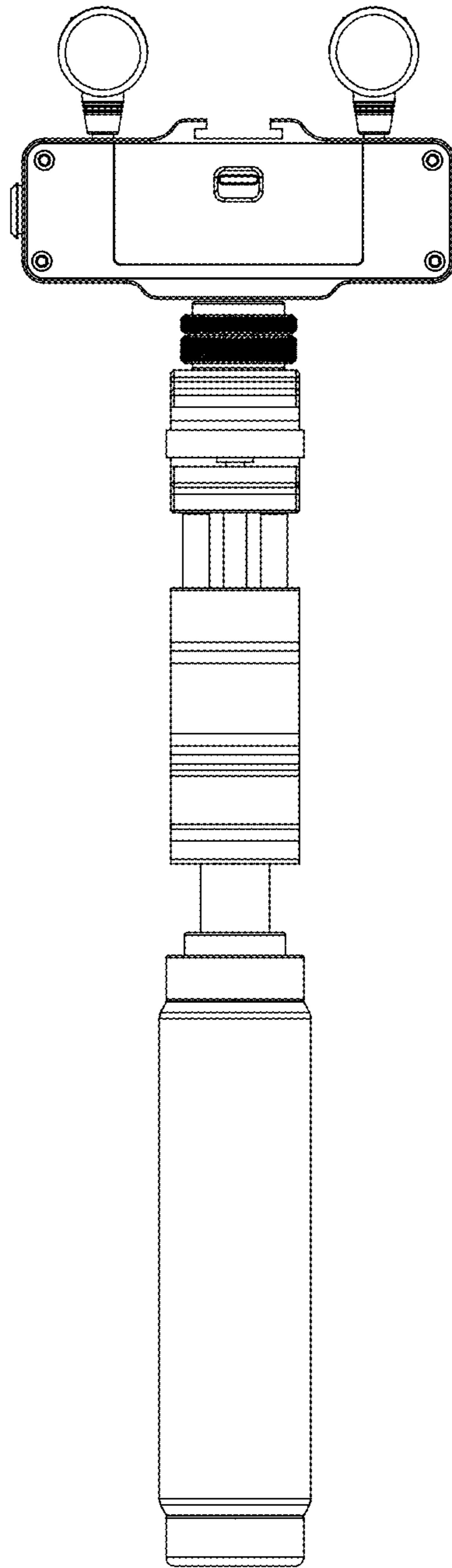


FIG. 2

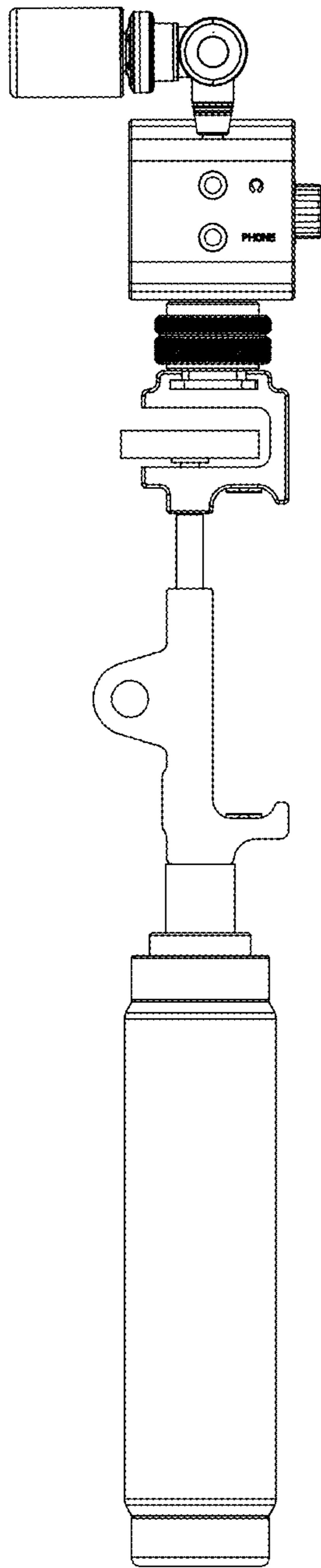


FIG. 3

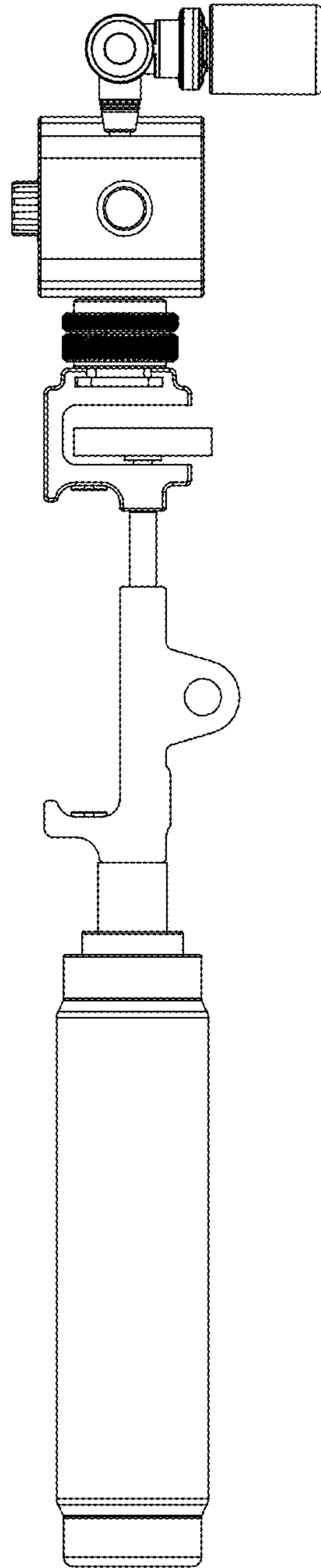


FIG. 4

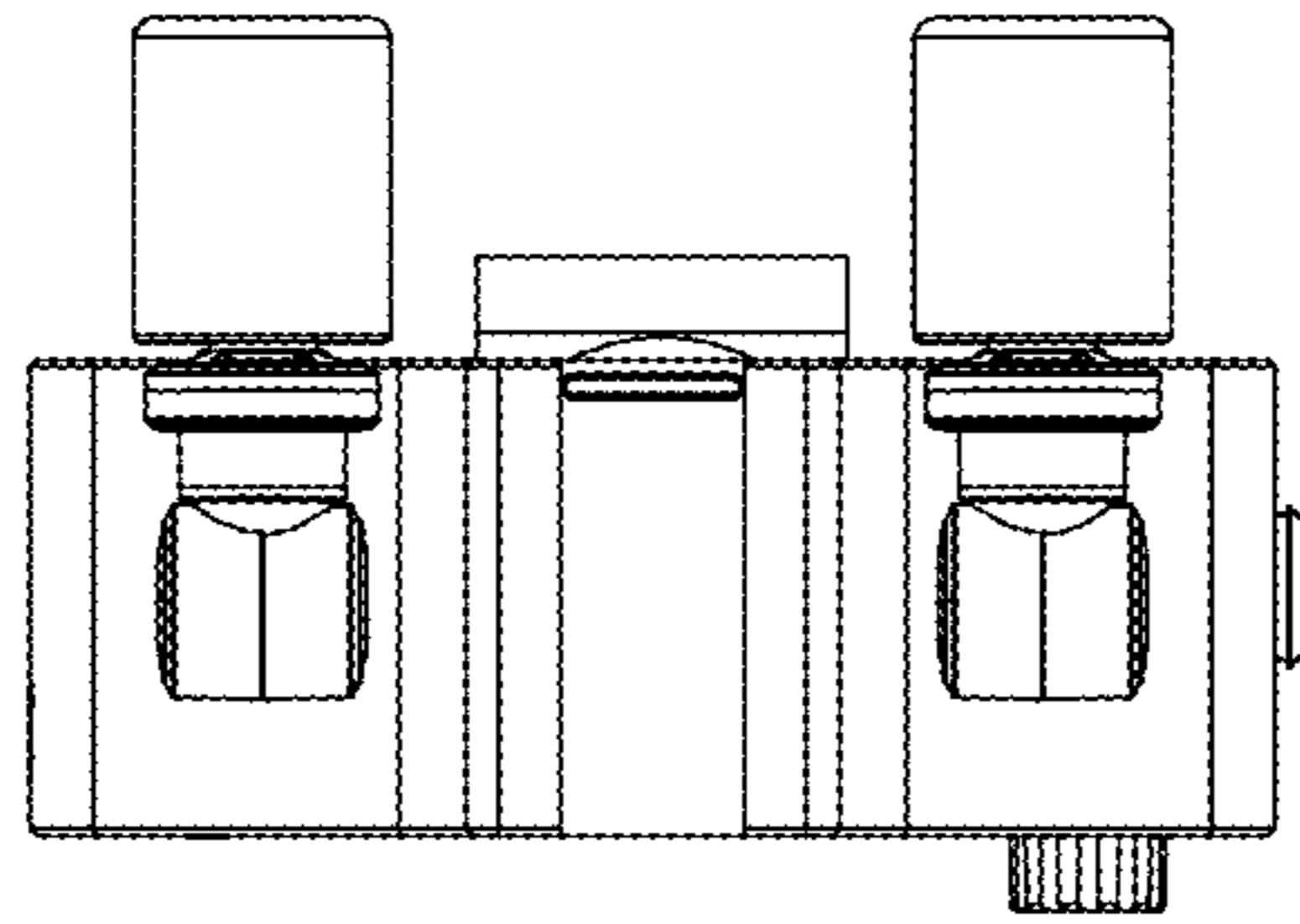


FIG. 5

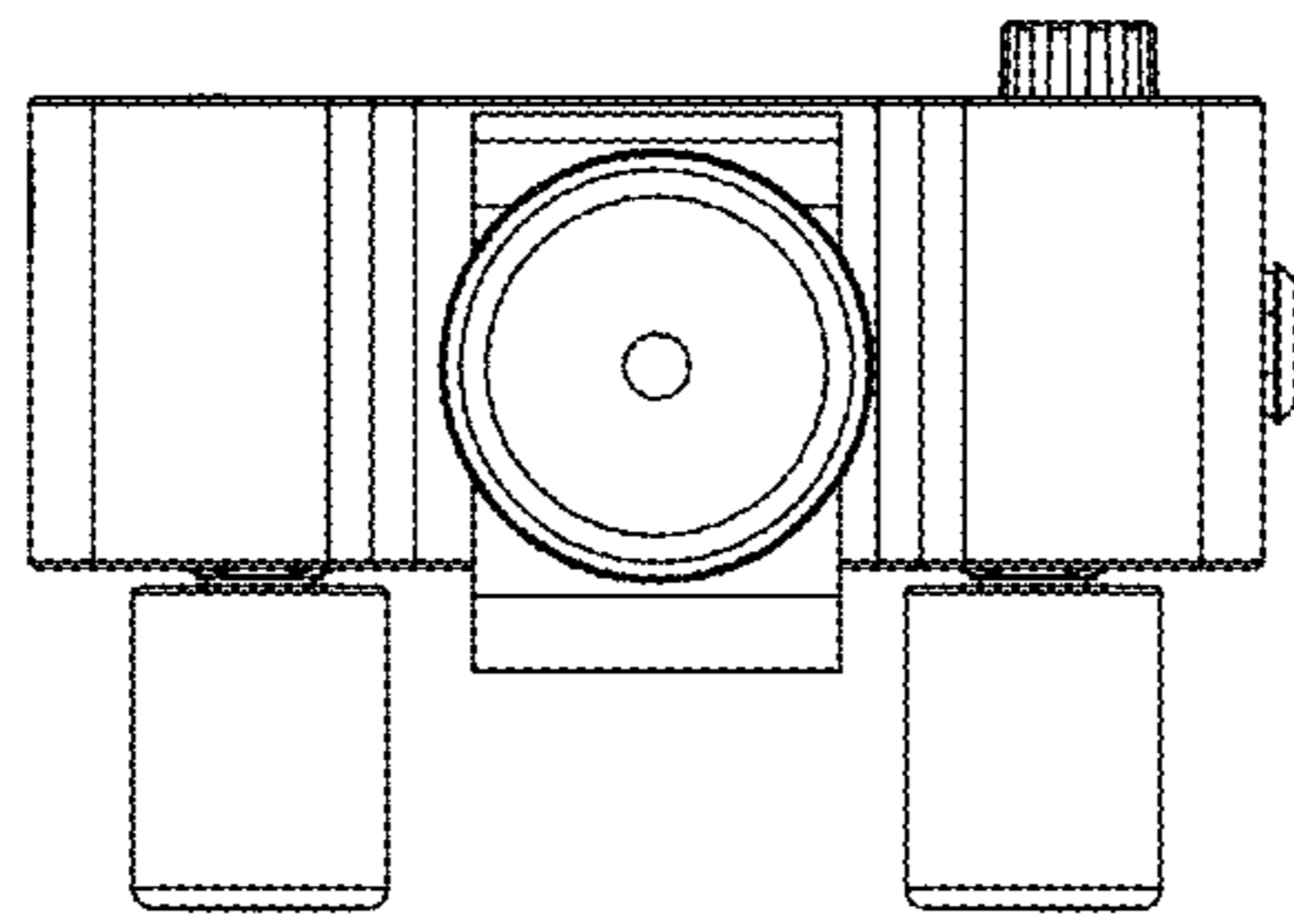


FIG. 6

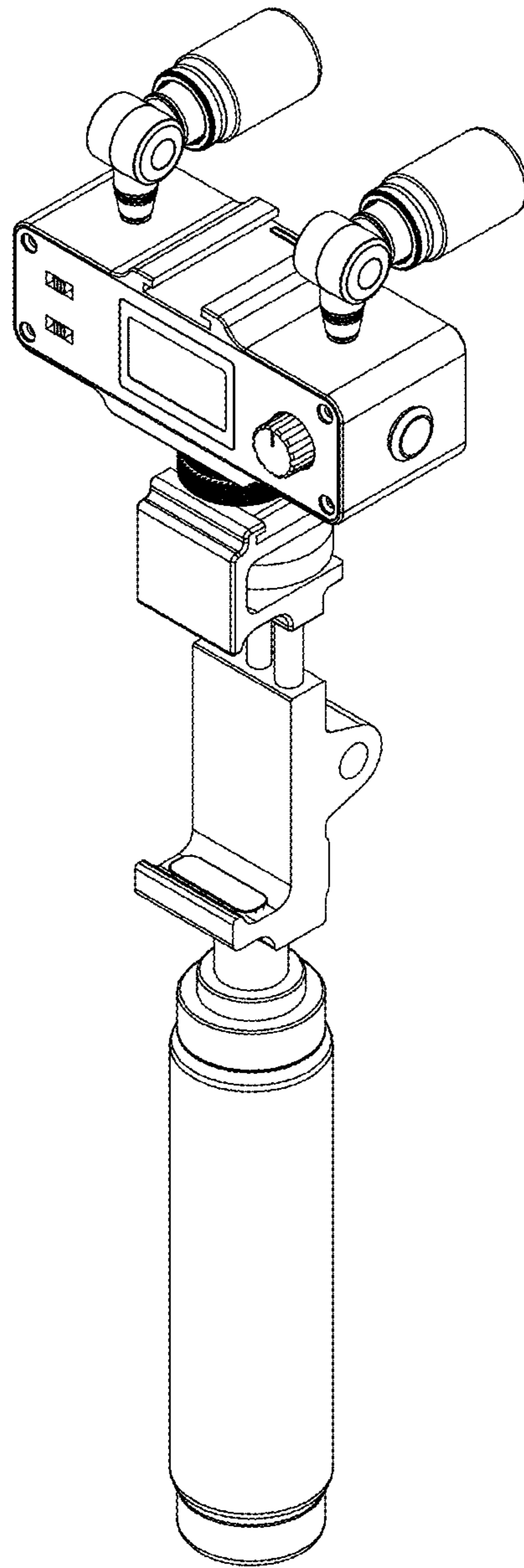


FIG. 7



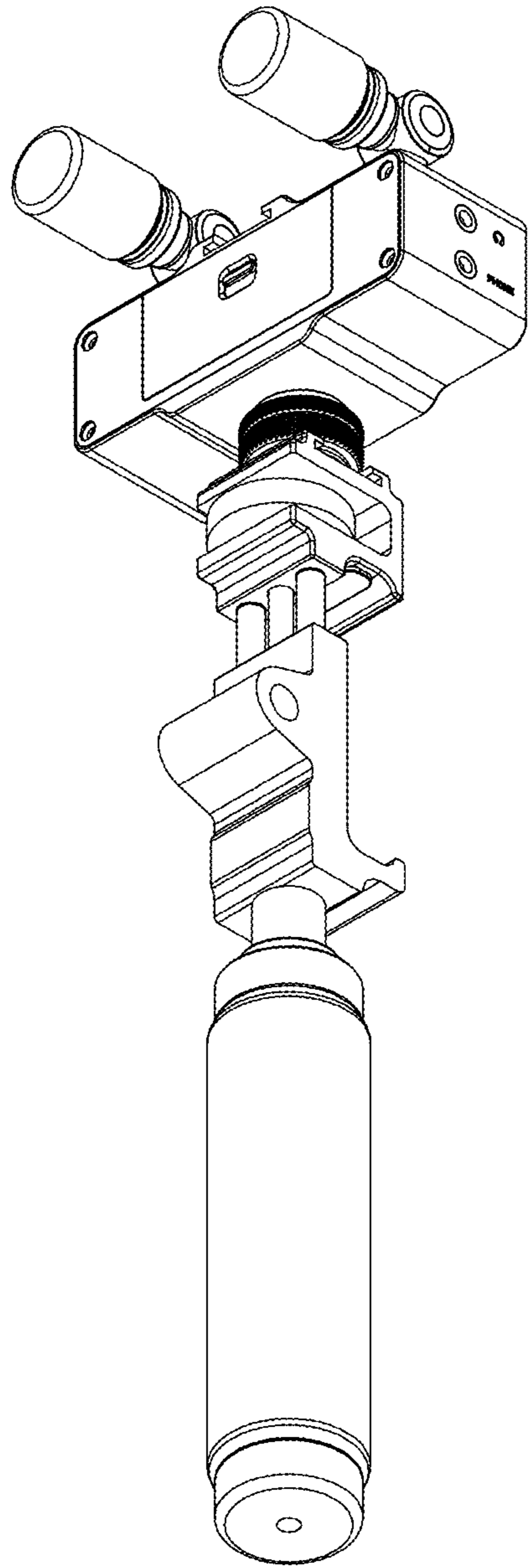


FIG. 8