



US00D779579S

(12) **United States Design Patent** (10) **Patent No.:** **US D779,579 S**
Anari, III et al. (45) **Date of Patent:** **** Feb. 21, 2017**

(54) **CAMERA SUPPORT**

(71) Applicants: **Anthony F. Anari, III**, Sussex, NJ (US); **Ryan Paul Vosburg**, Riverdale, NJ (US); **Russell Van Zile, III**, Riverdale, NJ (US)

(72) Inventors: **Anthony F. Anari, III**, Sussex, NJ (US); **Ryan Paul Vosburg**, Riverdale, NJ (US); **Russell Van Zile, III**, Riverdale, NJ (US)

(73) Assignee: **AR2 PRODUCTS LLC**, Pompton Plains, NJ (US)

(**) Term: **14 Years**

(21) Appl. No.: **29/513,953**

(22) Filed: **Jan. 7, 2015**

(51) **LOC (10) Cl.** **16-05**

(52) **U.S. Cl.**
USPC **D16/242**

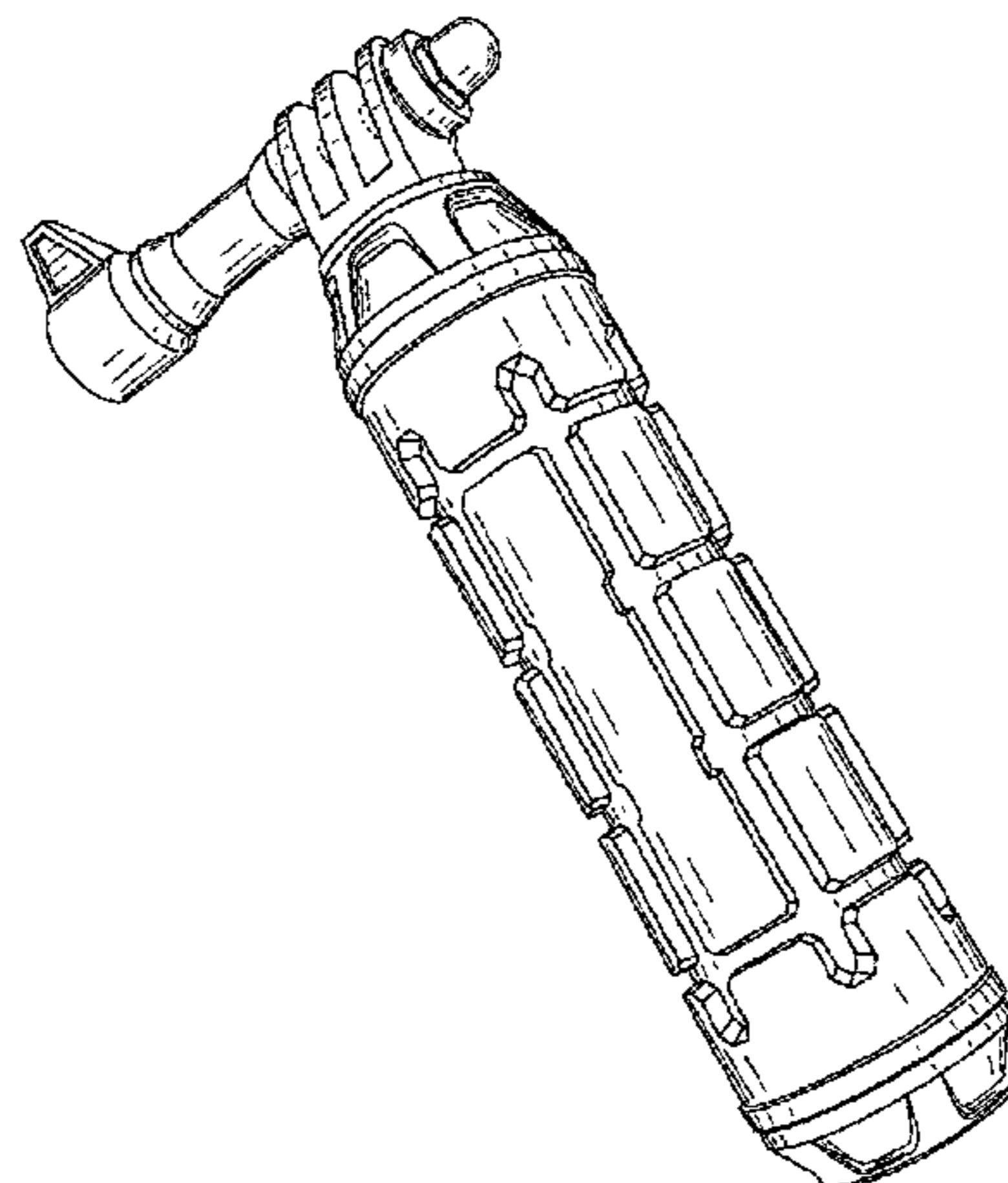
(58) **Field of Classification Search**
 USPC D10/83, 107; D14/448-451; D16/205, D16/206, 214, 219, 220, 237, 242, 243, D16/244, 245; D22/146; 16/422, 426; 224/908; 248/176.1, 187.1; 348/373, 348/375; 396/419, 420, 428
 CPC ... G03B 15/041-15/0436; G03B 17/00; G03B 17/561-17/568; G03B 21/20-21/2066; A45F 5/10; Y10T 16/469; H04N 5/2252
 See application file for complete search history.

(56) **References Cited**

U.S. PATENT DOCUMENTS

150,189 A 4/1874 Reid
 D150,189 S 4/1874 Reid
 D52,489 S 9/1918 Palmer
 2,429,803 A 10/1947 Cardona
 2,543,352 A 2/1951 Brown
 2,617,142 A 11/1952 Cadwell et al.
 2,962,251 A 11/1960 Karpf
 3,128,982 A 4/1964 Christopher

D209,201 S 11/1967 Betts
 D222,118 S 9/1971 Nakatani
 3,894,648 A 7/1975 Croullebois
 3,970,274 A 7/1976 Resk
 D246,095 S 10/1977 Eby et al.
 D251,181 S 2/1979 Angleman et al.
 4,155,453 A 5/1979 Ono
 4,225,105 A 9/1980 Nakamura
 D257,259 S 10/1980 Shiraishi
 4,324,502 A 4/1982 Pickles
 4,545,660 A 10/1985 Rudolf
 4,966,279 A 10/1990 Percy
 D320,995 S 10/1991 Fukuda et al.
 D345,905 S 4/1994 Hallgren
 D366,005 S 1/1996 Beyer-Olsen
 D382,286 S 8/1997 Doran
 D386,510 S 11/1997 Peterson
 5,768,645 A 6/1998 Kessler
 D396,809 S 8/1998 Granai
 5,937,473 A 8/1999 Lisowski
 6,007,259 A 12/1999 Mori
 6,293,449 B1 9/2001 McGuire et al.
 D452,549 S 12/2001 Inda
 D511,980 S 11/2005 McFarland et al.
 D512,894 S 12/2005 Nimphius
 D520,849 S 5/2006 Mentasti
 7,217,044 B1 5/2007 Marks, Jr.
 D543,829 S 6/2007 Berti
 D546,865 S 7/2007 Rietveld
 D554,465 S 11/2007 Laurienzo
 D580,474 S * 11/2008 Lee D16/242
 D584,864 S * 1/2009 Matthews D30/160
 D589,773 S 4/2009 Finochiaro
 D590,867 S * 4/2009 Schenone D16/206
 D592,235 S 5/2009 Bryant et al.
 7,684,694 B2 3/2010 Fromm
 7,706,673 B1 4/2010 Staudinger
 D616,524 S 5/2010 Haroian
 D621,259 S 8/2010 Joy et al.
 D626,420 S 11/2010 Mondon
 D630,239 S 1/2011 Huguley
 D637,816 S 5/2011 Nitkin
 D644,072 S 8/2011 McDonald et al.
 8,037,711 B1 10/2011 Mesaros et al.
 D678,386 S 3/2013 Huguley
 D678,387 S 3/2013 Stump
 8,413,936 B2 4/2013 Wang
 D691,418 S 10/2013 Minton et al.
 D701,554 S 3/2014 Huguley
 D707,560 S 6/2014 Wallace et al.
 D715,791 S 10/2014 Yu
 9,004,783 B1 4/2015 Woodman et al.
 D730,429 S * 5/2015 Anari D16/237



9,101,818	B2	8/2015	Carr	
D737,972	S	9/2015	Chen	
9,170,473	B1	10/2015	Li	
9,179,763	B2*	11/2015	Anari	G03B 17/00
D747,399	S*	1/2016	Stump	D16/243
2002/0141812	A1	10/2002	Edelen	
2003/0201371	A1	10/2003	Zadok	
2004/0223752	A1	11/2004	Ghanouni et al.	
2006/0257137	A1	11/2006	Fromm	
2007/0053680	A1	3/2007	Fromm	
2007/0261978	A1	11/2007	Sanderson	
2007/0263084	A1	11/2007	Misawa et al.	
2008/0117328	A1	5/2008	Daoud	
2009/0057257	A1	3/2009	Marcus et al.	
2010/0024441	A1	2/2010	Yeung	
2010/0200710	A1	8/2010	Shenouda	
2011/0042530	A1	2/2011	Phillips	
2012/0000908	A1	1/2012	So	
2012/0020656	A1	1/2012	Farmer	
2012/0315813	A1	12/2012	Rossini	
2013/0176412	A1	7/2013	Chen	
2013/0287386	A1	10/2013	Xu	
2014/0037281	A1	2/2014	Carney	
2014/0105589	A1	4/2014	Samuels	
2014/0273678	A1	9/2014	Meyer	
2015/0003820	A1	1/2015	Li	
2015/0107055	A1*	4/2015	Anari	G03B 17/00 16/422
2015/0108777	A1	4/2015	Anari	
2015/0316837	A1	11/2015	Maltese	
2015/0346589	A1	12/2015	Dering	
2016/0091130	A1	3/2016	Thompson	
2016/0091139	A1	3/2016	Levine	

FOREIGN PATENT DOCUMENTS

DE	102008014385	A1	9/2009
EM	002084897-0019		8/2012
JP	2009229835	A	10/2009
JP	2009229835	A	10/2009

OTHER PUBLICATIONS

<https://www.gopole.com/news/gopole-releases-new-and-improved-versatile-mounts-and-accessories-to-expand-the-capability-of-gopro-cameras> Posted Jul. 23, 2014.*

<https://www.youtube.com/watch?v=GgGpp5fu56c> Posted Sep. 10, 2014.*

USPTO Non-Final Office Action in related U.S. Appl. No. 14/936,327, Feb. 23, 2016.

GoPro Tripod Mount. Datasheet [online]. Digital Camera Warehouse, Mar. 13, 2011 [retrieved on Feb. 28, 2014]. Retrieved from the Internet: <URL: <http://www.digitalcamerawarehouse.com.au/pro7088.htm>>.

Go-Pole—A sneak peak of the new GoPole floating handle!, Facebook, Mar. 16, 2011. URL: <<https://www.facebook.com/gopolemounds/photos/o.50043151918/158592247532767/?type...>>.

Go-Pole The Bobber—GoPro Tip #238, uploaded on May 29, 2011. URL: <https://www.youtube.com/watch?v=5cjfR280TYk>.

Go-Pole The Bobber—GoPro Tip #238, May 29, 2011. URL: <<http://zaynlagu.xyz/download/gopole-the-bobber-gopro-tip-238-35636a665232384f54596...>>.

Go-Pole The Bobber for GoPro Hero HD Camera, uploaded on Jun. 17, 2011. URL: <https://www.youtube.com/watch?v=5cjfR280TYk>.

Why GoPole Bobber? Go Pro Tip #269, Jul. 22, 2011. URL: <<https://www.youtube.com/watch?v=6Rqdf7PFJx8>>.

TheGoPole. Grenade Grip by GoPole—Compact Hand Grip for GoPro Cameras. YouTube [online], Jun. 15, 2012, [retrieved on Feb. 28, 2014]. <URL: <http://www.youtube.com/watch?v=nudlcToCwNY>>.

Gopole, Mounts & Accessories for GoPro® Cameras, 2013. URL: <https://web.archive.org/web/20130708163624/http://www.gopole.com/catatog/products>.

GoPole EVO, Apr. 5, 2013. URL: <<http://www.gopole.com/product/gopole-evo...>>.

Tripod Head. Wikipedia [online], Jan. 20, 2014. [retrieved on Feb. 28, 2014]. Retrieved from the Internet <URL: http://en.wikipedia.org/wiki/Tripod_head>.

International Search Report issued in related international application PCT/US2013/000242, Mar. 13, 2014.

International Preliminary Report on Patentability with Written Opinion issued in related international application PCT/US2013/000242, Mar. 13, 2014.

New and Improved Versatile Mounts and Accessories, Posted Jul. 23, 2014 URL: <<https://www.gopole.com/news/gopole-releases-new-and-improved-versatile-mounts-and-accessories-to-expand-the-capability-of-gopro-cameras>>.

GoPole Grenade Grip—Compact Hand Grip for GoPro Cameras, Posted Sep. 10, 2014 URL: <<https://www.youtube.com/watch?v=GgGpp5fu56c>>.

Waterproof Camera Reviews, Sandmarc Extension Pole, posted Sep. 14, 2014. URL: <http://www.bestwaterproofcamera.info/sandmarc_pole_black_edition_review/>.

GoPole Reach—14-40" Extension Pole for GoProCameras, posted Oct. 16, 2014. URL: <<https://www.youtube.com/watch?v=0EuwXgFc0v0>>.

USPTO Non-Final Office Action in related U.S. Appl. No. 13/998,324, Feb. 25, 2015.

USPTO Non-Final Office Action in related U.S. Appl. No. 13/998,325, Mar. 3, 2015.

Bobber. Floating Hand Grip. [online] Retrieved Mar. 9, 2015 URL: <<https://shop.gopole.com/products/bobber>>.

POV Buoy Floating Camera Handle—GoPro Edition. [online] Retrieved Mar. 9, 2015. URL: <<http://goprowoa.com/product/pov-buoy-floating-camera-handle-gopro-edition/>>.

USPTO Non-Final Office Action in related U.S. Appl. No. 29/463,605, Mar. 16, 2015.

USPTO Non-Final Office Action in related U.S. Appl. No. 14/678,193, Jun. 4, 2015.

USPTO Final Office Action in related U.S. Appl. No. 13/998,324, Jun. 12, 2015.

USPTO Final Office Action in related U.S. Appl. No. 14/678,193, Dec. 4, 2015.

USPTO Non-Final Office Action in related U.S. Appl. No. 14/883,083, Dec. 22, 2015.

GoPole Reach—Telescoping Extension Pole, retrieved May 3, 2016. URL: <<https://www.advexure.com/store/gopole-reach/>>.

Gopole, Reach, 14-40" Extension Pole, retrieved May 3, 2016. URL: <<https://shop.gopole.com/products/reach>>.

GoPole Evo—Floating Extension Pole, retrieved May 3, 2016. URL: <https://www.advexure.com/store/gopole-evo/>.

USPTO Non-Final Office Action in related U.S. Appl. No. 29/513,953, May 25, 2016.

USPTO Non-Final Office Action in related U.S. Appl. No. 29/513,969, Jun. 14, 2016.

Notice of Allowance and Fees due in related U.S. Appl. No. 29/527,956, Jun. 17, 2016.

USPTO Non-Final Office Action in related U.S. Appl. No. 29/513,965, Jun. 22, 2016.

USPTO Final Office Action in related U.S. Appl. No. 14/883,083, Jun. 29, 2016.

USPTO Notice of Allowance, in related U.S. Appl. No. 29/541,491, Jul. 26, 2016.

* cited by examiner

Primary Examiner — Susan Bennett Hattan
 Assistant Examiner — Leanne Was-Englehart
 (74) Attorney, Agent, or Firm — Day Pitney LLP

(57) CLAIM

We claim the ornamental design for a camera support, as shown and described above.

DESCRIPTION

FIG. 1 is a front perspective view of the present invention, a camera support;

FIG. 2 is a front elevational view of the camera support seen in FIG. 1;

FIG. 3 is a rear elevational view of the camera support seen in FIG. 1;

FIG. 4 is a right side elevational view of the camera support seen in FIG. 1;

FIG. 5 is a left side elevational view of the camera support seen in FIG. 1;

FIG. 6 is a top plan view of the camera support seen in FIG. 1; and,

FIG. 7 is a bottom plan view of the camera support seen in FIG. 1.

The broken lines in each of the figures are for environmental purposes only and form no part of the claimed design.

1 Claim, 5 Drawing Sheets

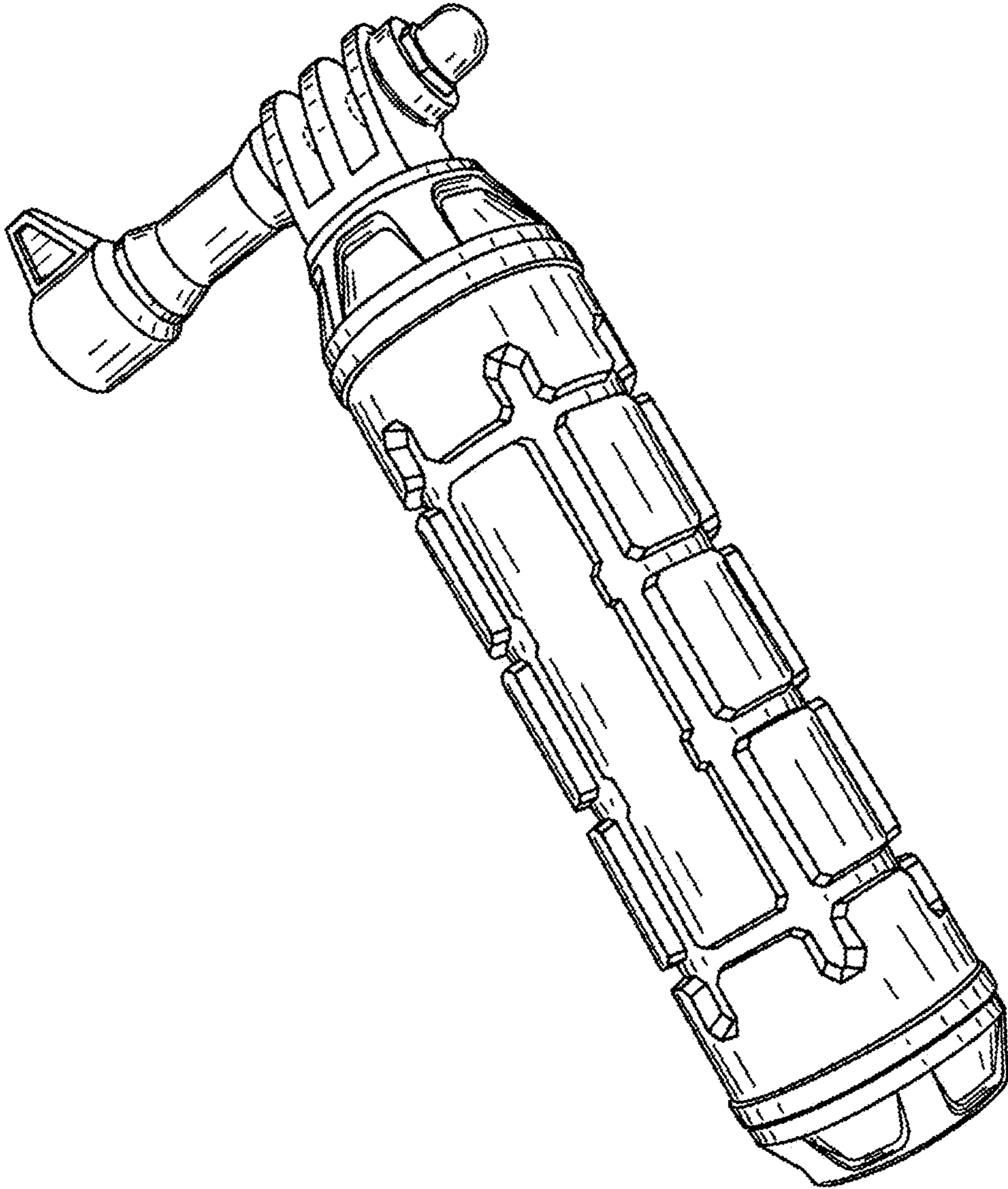


FIG. 1

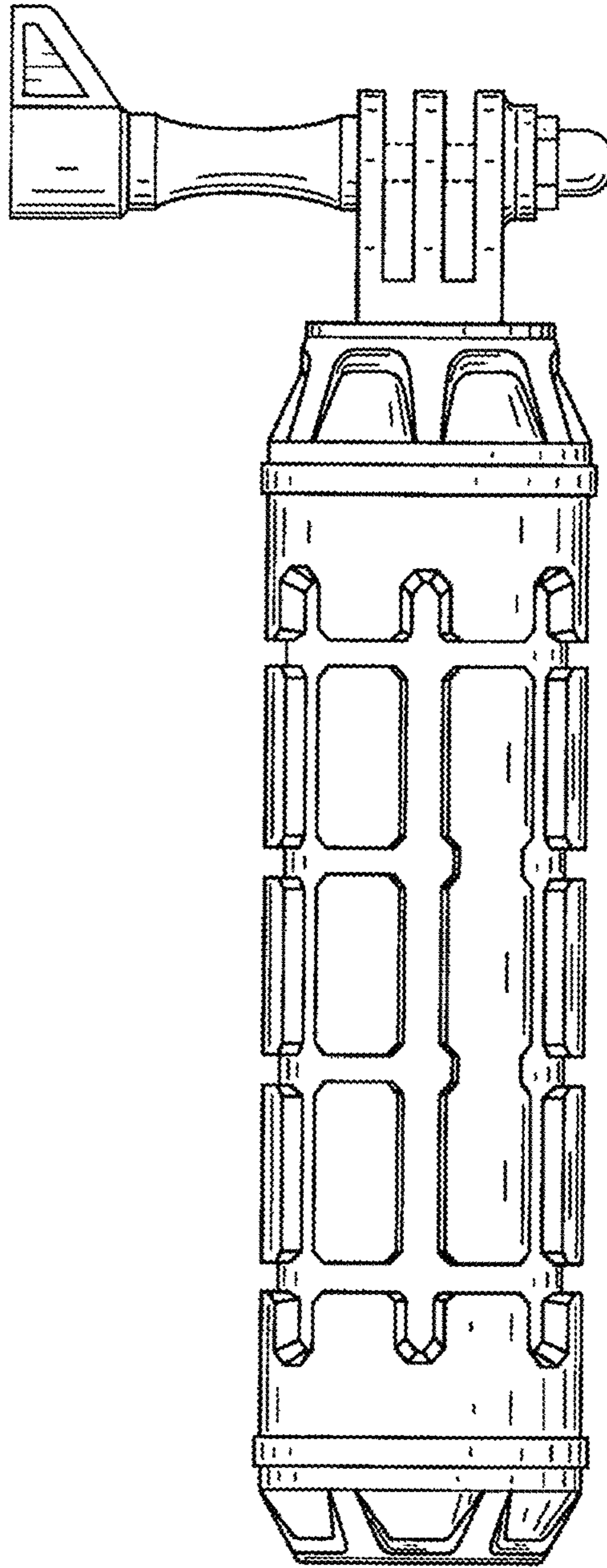


FIG. 2

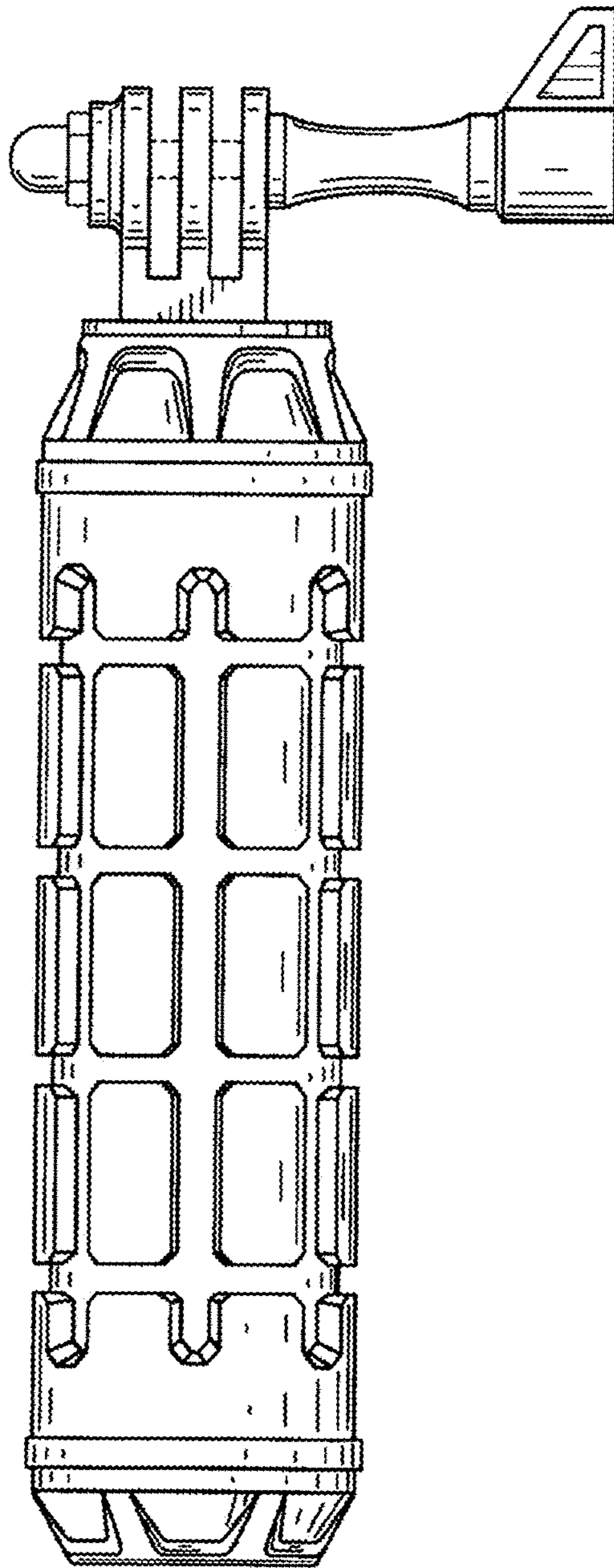


FIG. 3

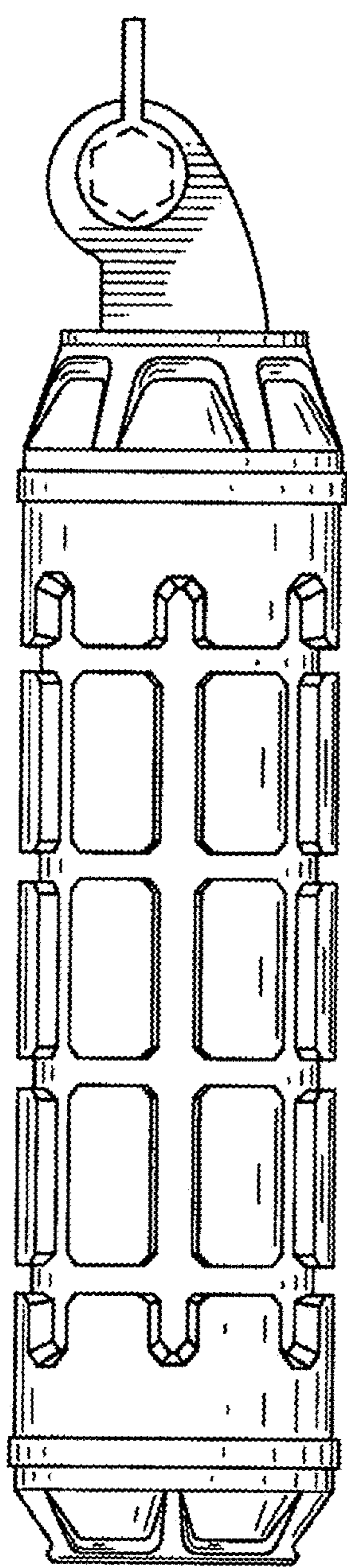


FIG. 4

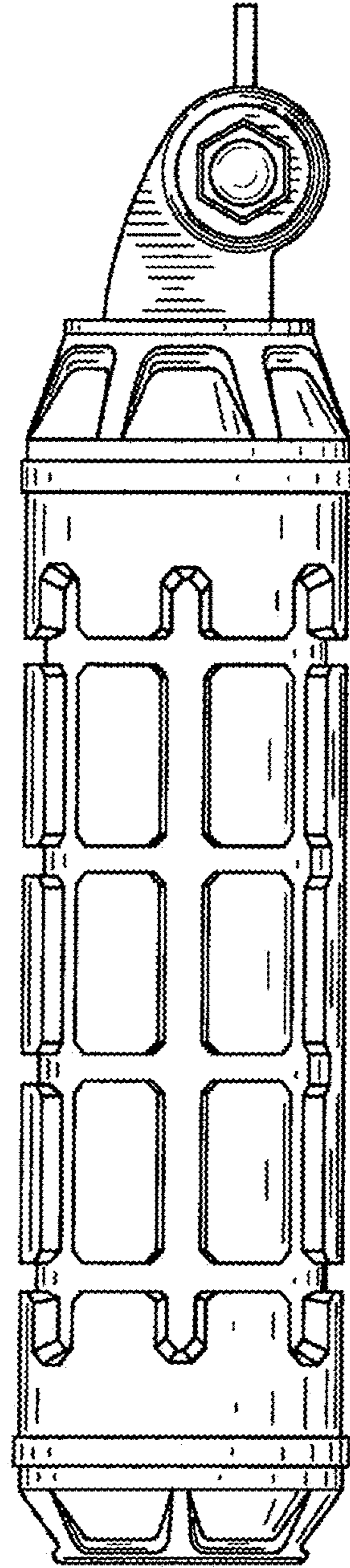


FIG. 5

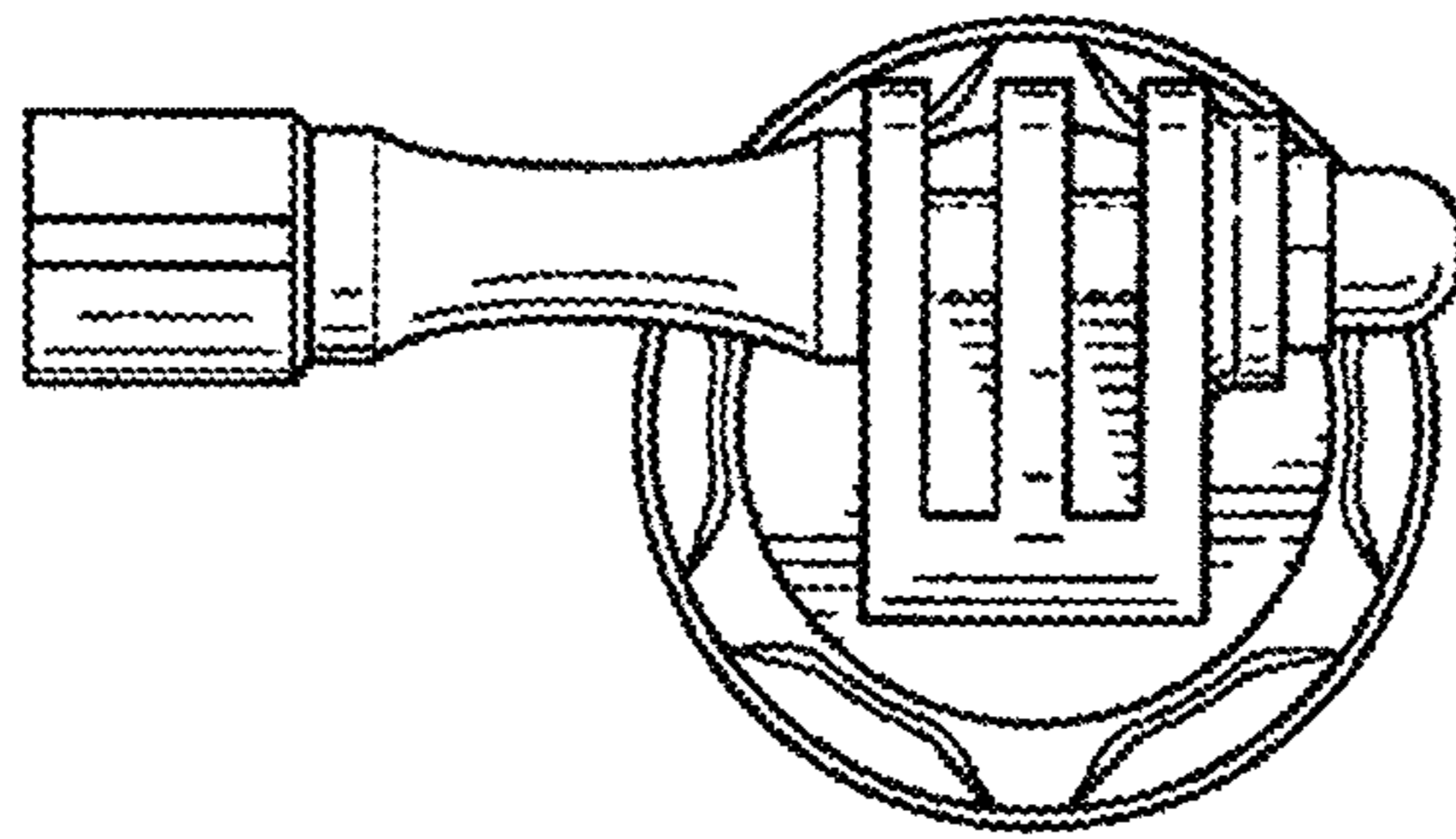


FIG. 6

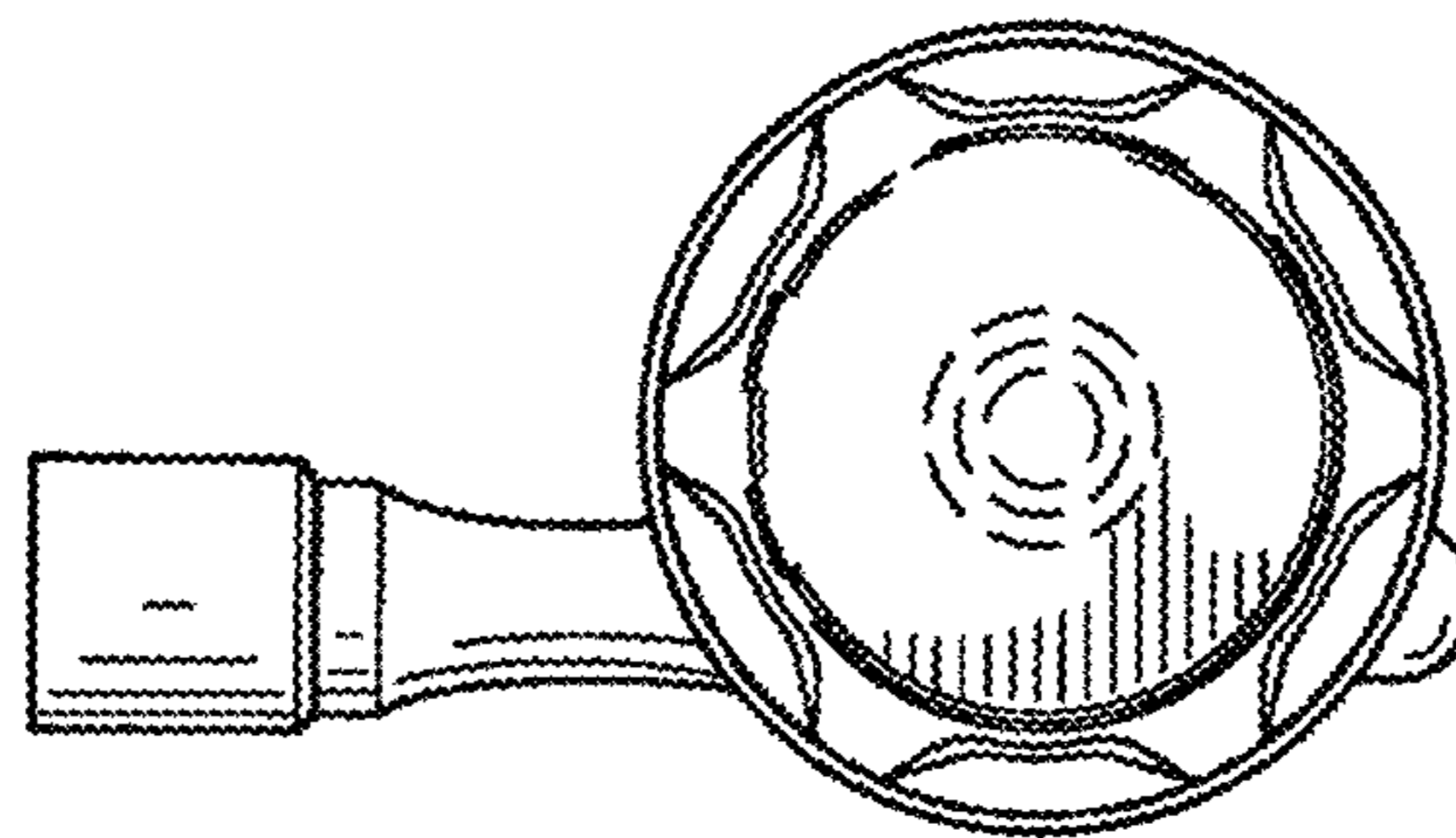


FIG. 7