



US00D779578S

(12) **United States Design Patent** (10) **Patent No.:** **US D779,578 S**
Szumilak (45) **Date of Patent:** **** Feb. 21, 2017**

(54) **FLASH APPARATUS**

(71) Applicant: **Bartlomiej Szumilak**, Cracow (PL)

(72) Inventor: **Bartlomiej Szumilak**, Cracow (PL)

(**) Term: **14 Years**

(21) Appl. No.: **29/514,816**

(22) Filed: **Jan. 16, 2015**

(30) **Foreign Application Priority Data**

Aug. 3, 2014 (PL) 002514109-0001

(51) **LOC (10) Cl.** **16-05**

(52) **U.S. Cl.**
USPC **D16/237**

(58) **Field of Classification Search**

USPC D16/134, 136, 208, 213–219, 235, 237,
D16/239–242, 245; D14/203.4, 217, 218,
D14/250–253, 345, 440, 449

CPC G03B 17/02–17/04; G03B 17/14; G03B
17/56; G03B 17/561–17/568; G03B
21/20–21/2066; G03B 15/041–15/0436;
G02B 7/02–7/04; G02B 7/14; H04N
5/2251–5/2554

See application file for complete search history.

(56) **References Cited**

U.S. PATENT DOCUMENTS

D176,919	S	*	2/1956	Hunter	D16/239
D180,225	S	*	5/1957	Dreyfuss	D16/239
D180,272	S	*	5/1957	Dreyfuss	D16/238
D181,477	S	*	11/1957	Kress	D16/239
6,356,439	B1	*	3/2002	Schmidt	G06F 1/1603 135/117

* cited by examiner

Primary Examiner — Vy Koenig

(74) *Attorney, Agent, or Firm* — Bay State IP, LLC

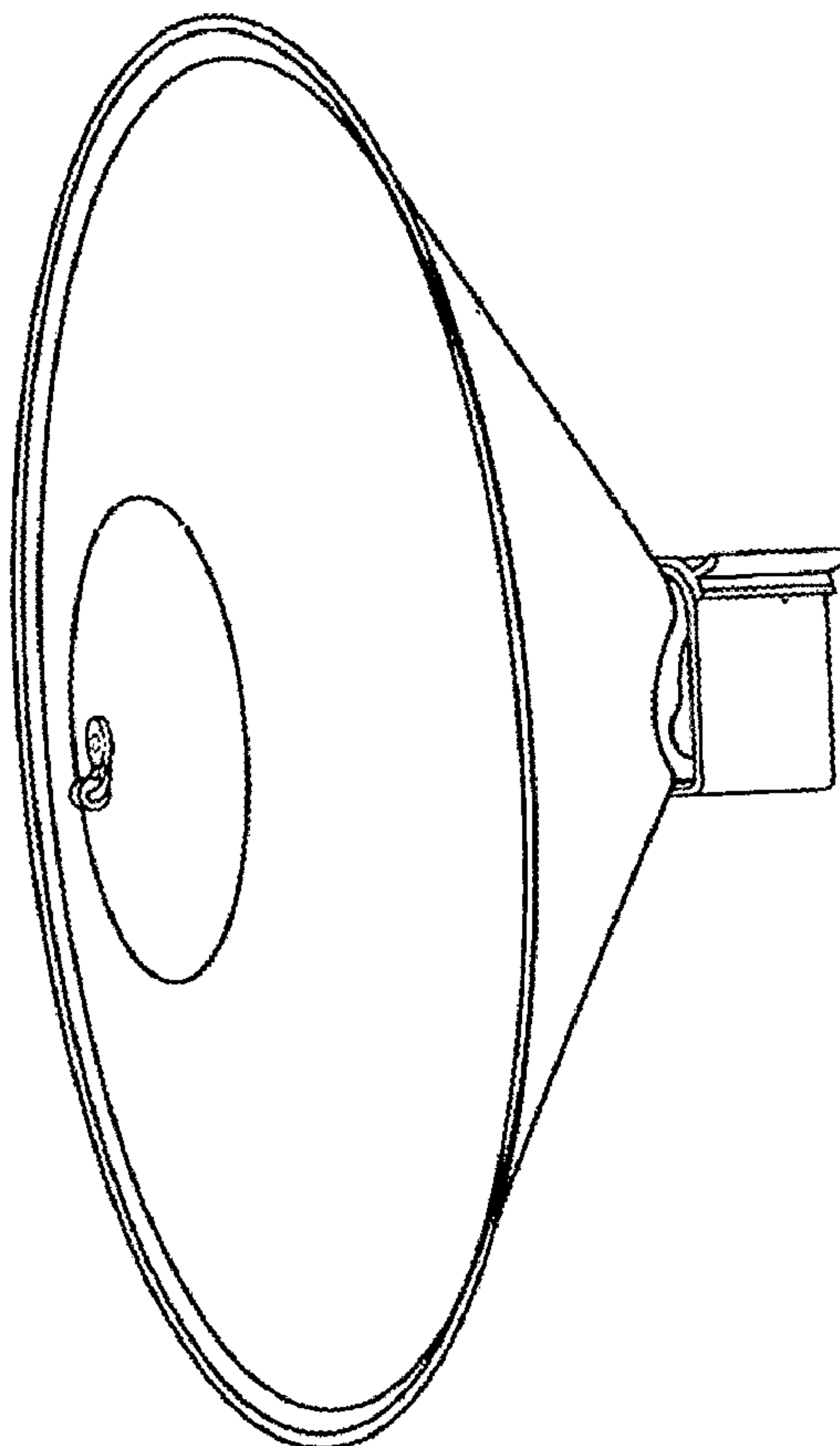
(57) **CLAIM**

The ornamental design for a flash apparatus, as shown and described.

DESCRIPTION

FIG. 1 is a front view of my design;
 FIG. 2 is a front side perspective view of my design;
 FIG. 3 is a side view of my design;
 FIG. 4 is a back perspective view of my design;
 FIG. 5 is a back view of my design; and,
 FIG. 6 is a top back perspective view of my design.
 The broken lines shown represent portions of the flash apparatus that form no part of the claimed design.

1 Claim, 3 Drawing Sheets



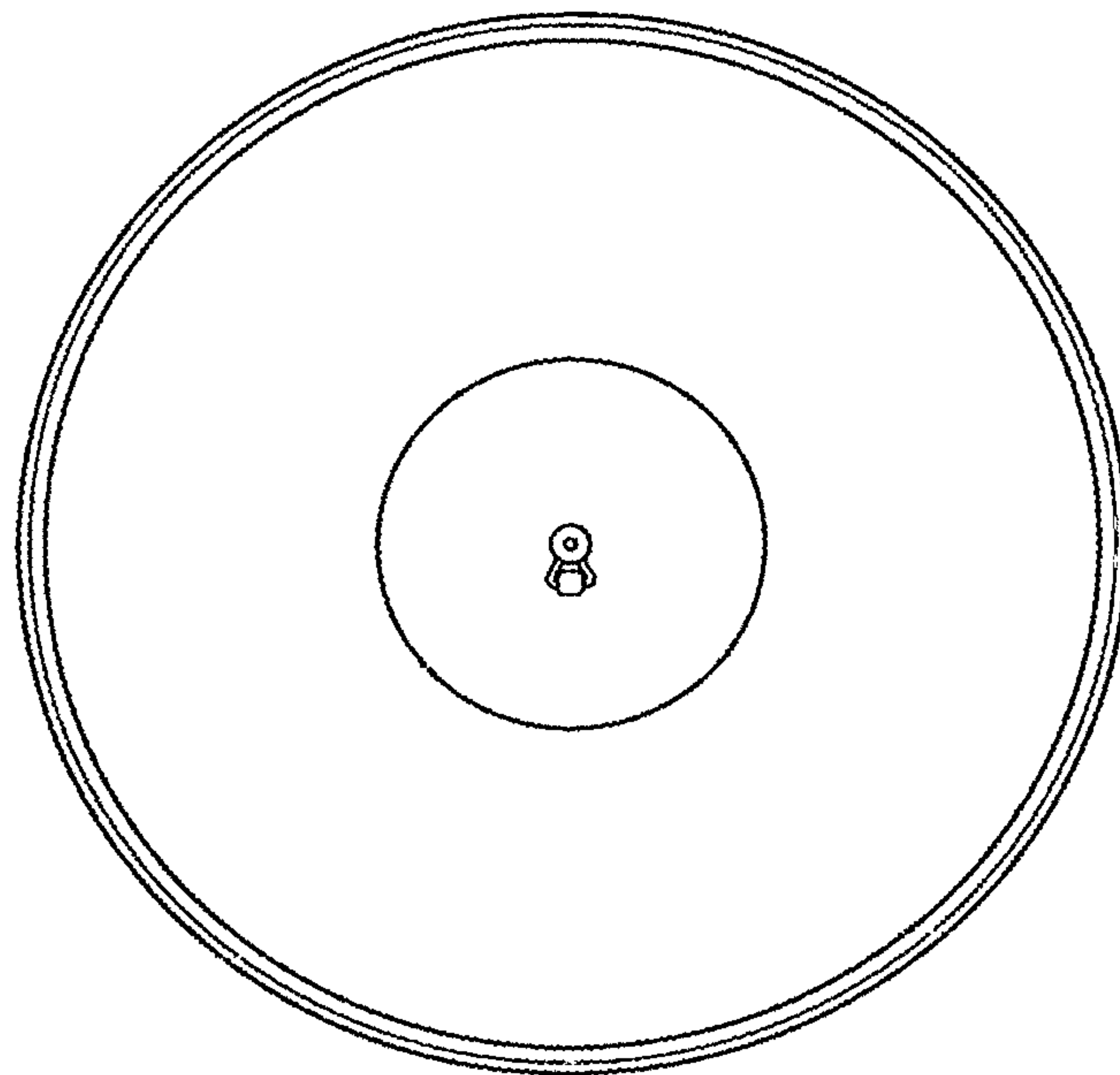


Fig. 1

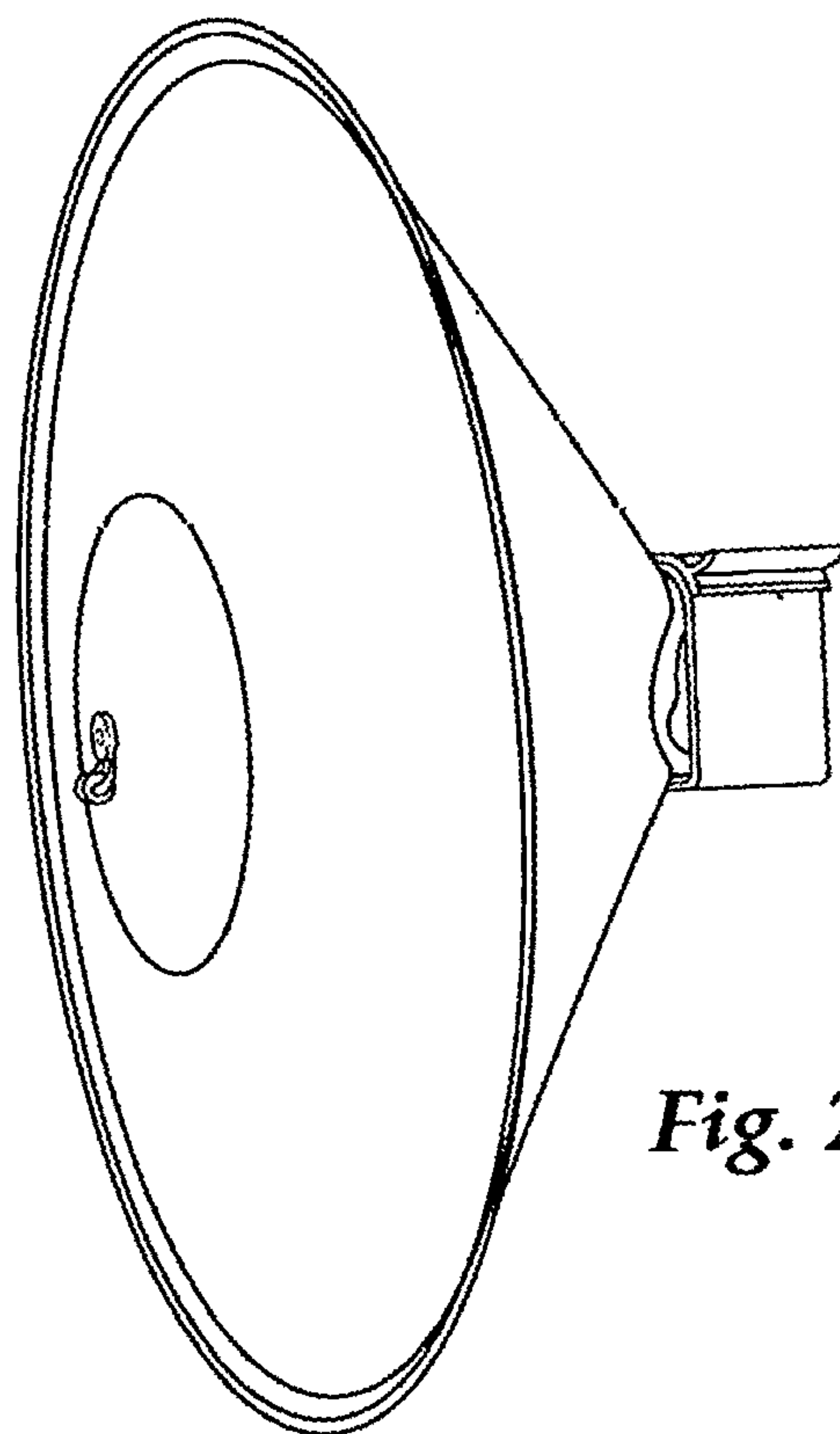


Fig. 2

Fig. 3

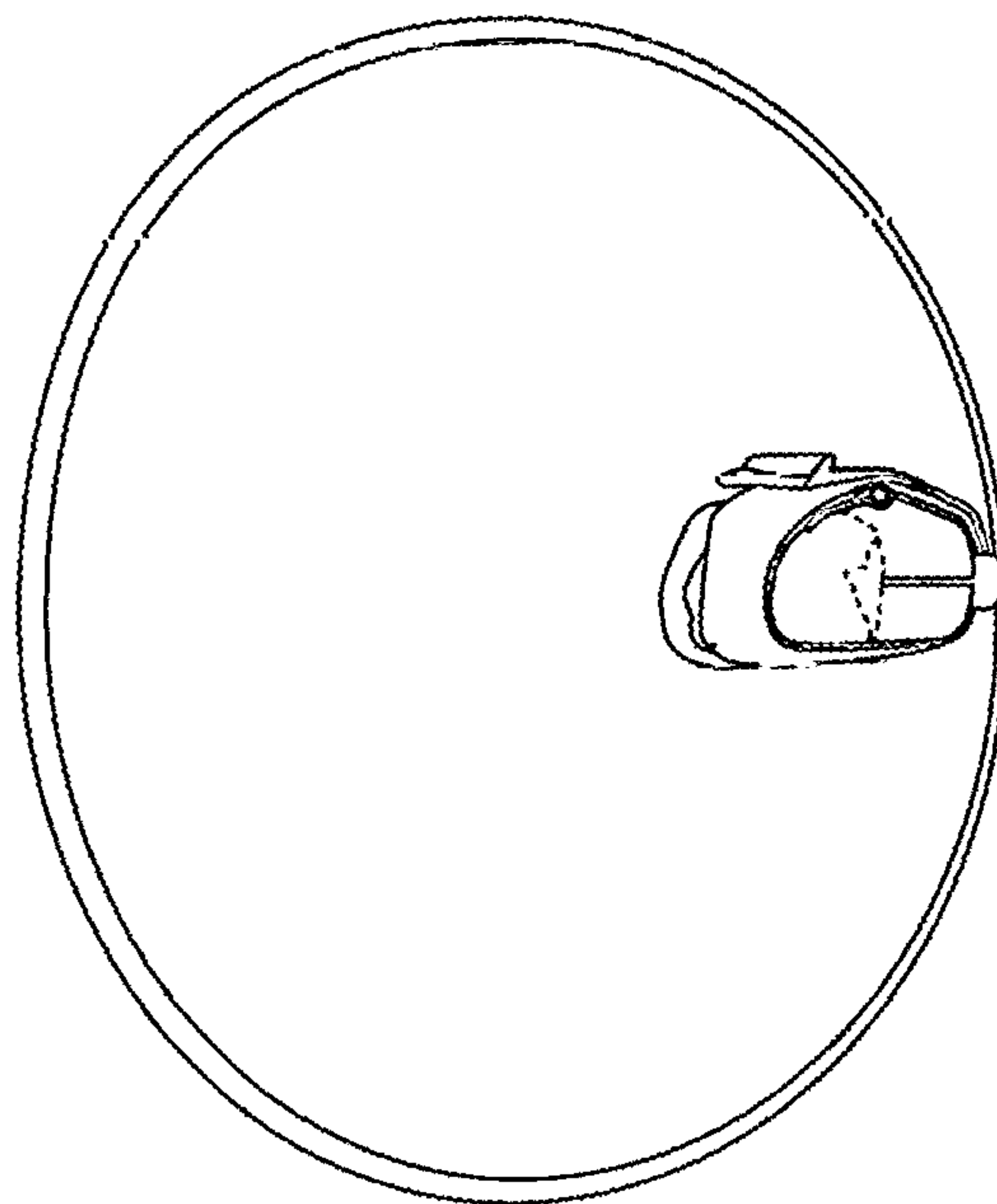
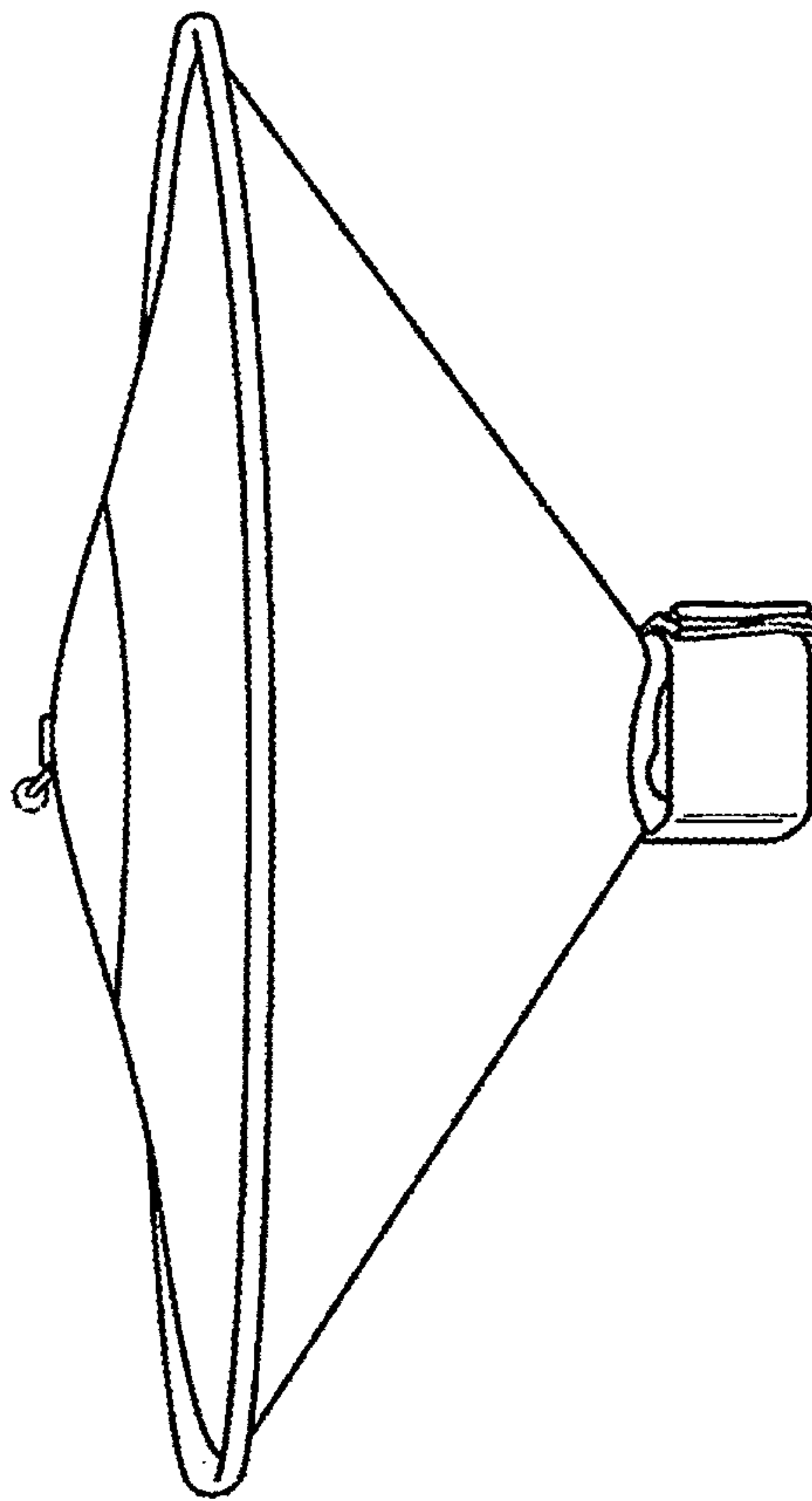


Fig. 4

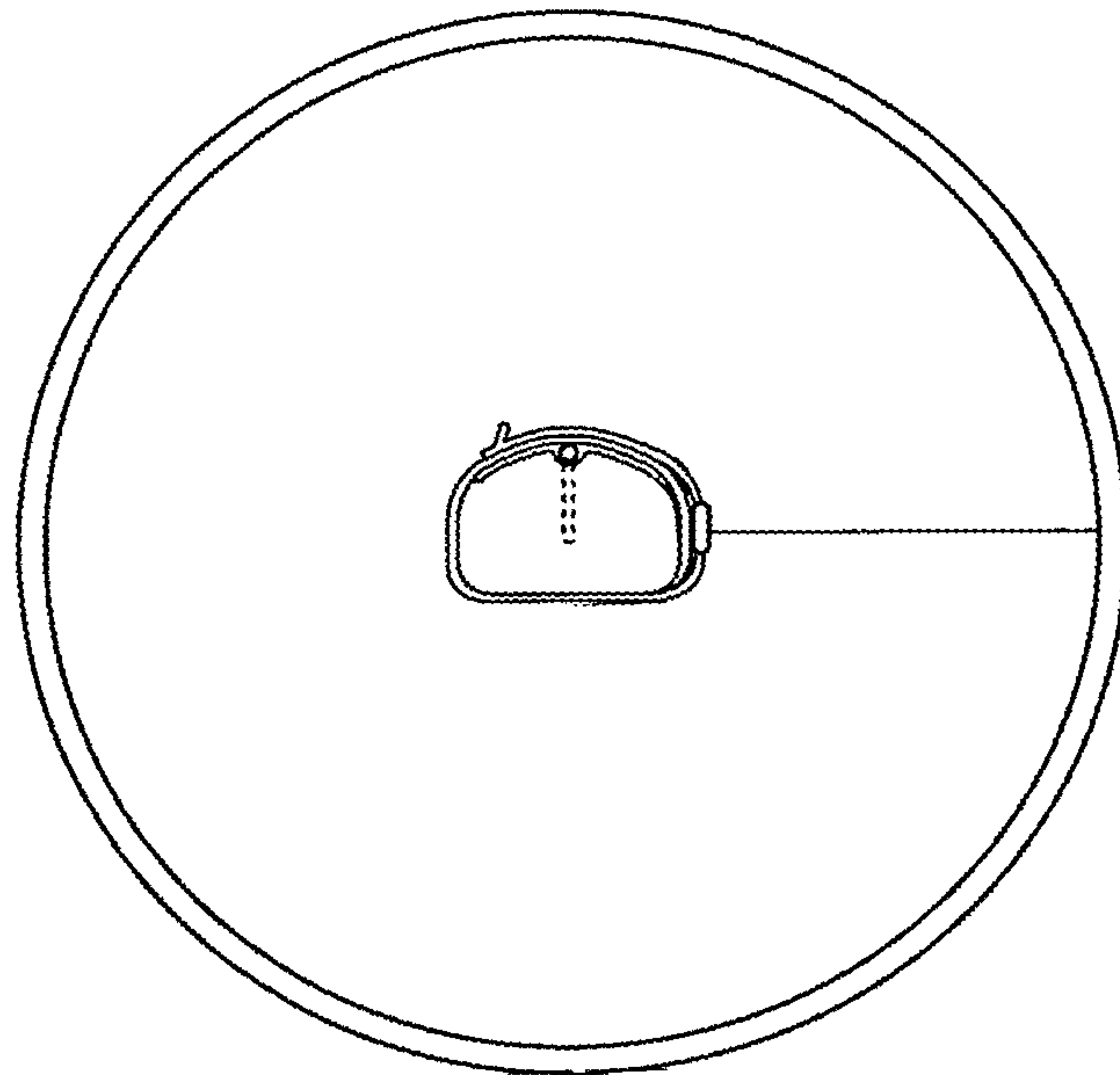


Fig. 5

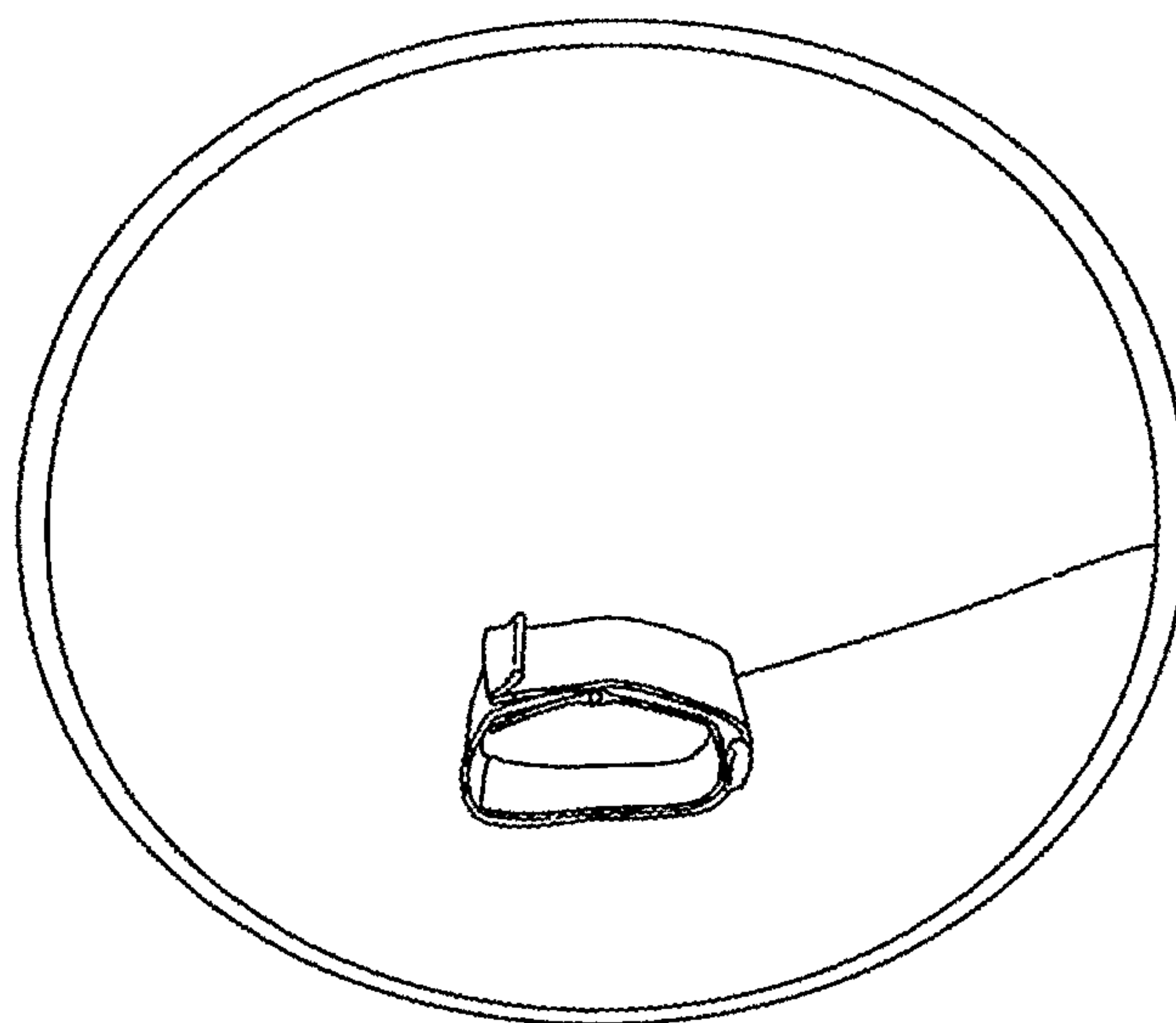


Fig. 6