



US00D779577S

(12) **United States Design Patent**
Ikegame

(10) **Patent No.:** **US D779,577 S**

(45) **Date of Patent:** **** Feb. 21, 2017**

(54) **INSTANT CAMERA**

(71) Applicant: **FUJIFILM Corporation**, Tokyo (JP)

(72) Inventor: **Haruka Ikegame**, Tokyo (JP)

(73) Assignee: **FUJIFILM Corporation**, Tokyo (JP)

(**) Term: **15 Years**

(21) Appl. No.: **29/537,581**

(22) Filed: **Aug. 27, 2015**

(30) **Foreign Application Priority Data**

Feb. 27, 2015 (JP) 2015-004178

(51) **LOC (10) Cl.** **16-01**

(52) **U.S. Cl.**
USPC **D16/218; D16/211**

(58) **Field of Classification Search**
USPC D16/202, 208, 209, 210, 211, 218, 219,
D16/220, 237
CPC G03B 5/02; G03B 7/102; G03B 17/04;
G03B 17/18; G03B 17/48; G03B 17/50;
G03B 17/52
See application file for complete search history.

(56) **References Cited**

U.S. PATENT DOCUMENTS

D447,504 S *	9/2001	Horikiri	D16/218
D456,437 S *	4/2002	Omino	D16/202
D457,543 S *	5/2002	Petravic	D16/200
D463,472 S *	9/2002	Horikiri	D16/218
D472,258 S *	3/2003	Yin	D16/202
D473,251 S *	4/2003	Katayama	D16/218
D484,523 S *	12/2003	Senda	D16/218
6,712,531 B2 *	3/2004	Takagi	G03B 17/04 396/349
6,847,783 B2 *	1/2005	Sasaki	G03B 17/52 116/213

D582,954 S *	12/2008	Imai	D16/202
D594,047 S *	6/2009	Lee	D16/202
D662,962 S *	7/2012	Inoue	D16/219
D662,963 S *	7/2012	Muraki	D16/219
D697,122 S *	1/2014	Ikegame	D16/218
D709,543 S *	7/2014	Isozaki	D16/218

(Continued)

OTHER PUBLICATIONS

“Polaroid MIO”, posted at <http://on-and-on.ocnk.net/>, Dec. 26, 2011, [site visited Aug. 9, 2016]. Available from Internet: <<http://on-and-on.ocnk.net/product/4389>>.*

(Continued)

Primary Examiner — Celia Murphy

Assistant Examiner — John M Otte

(74) *Attorney, Agent, or Firm* — Young & Thompson

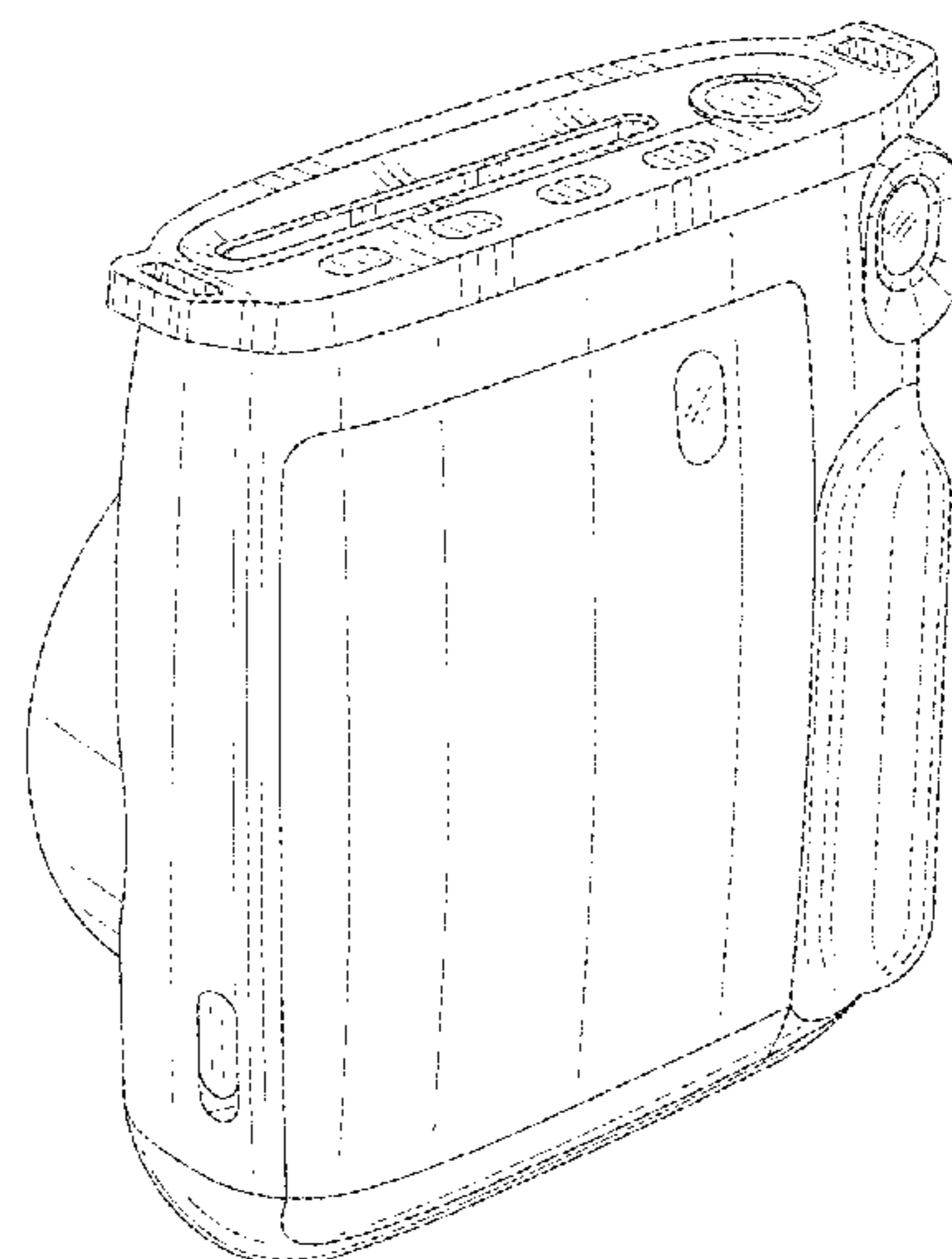
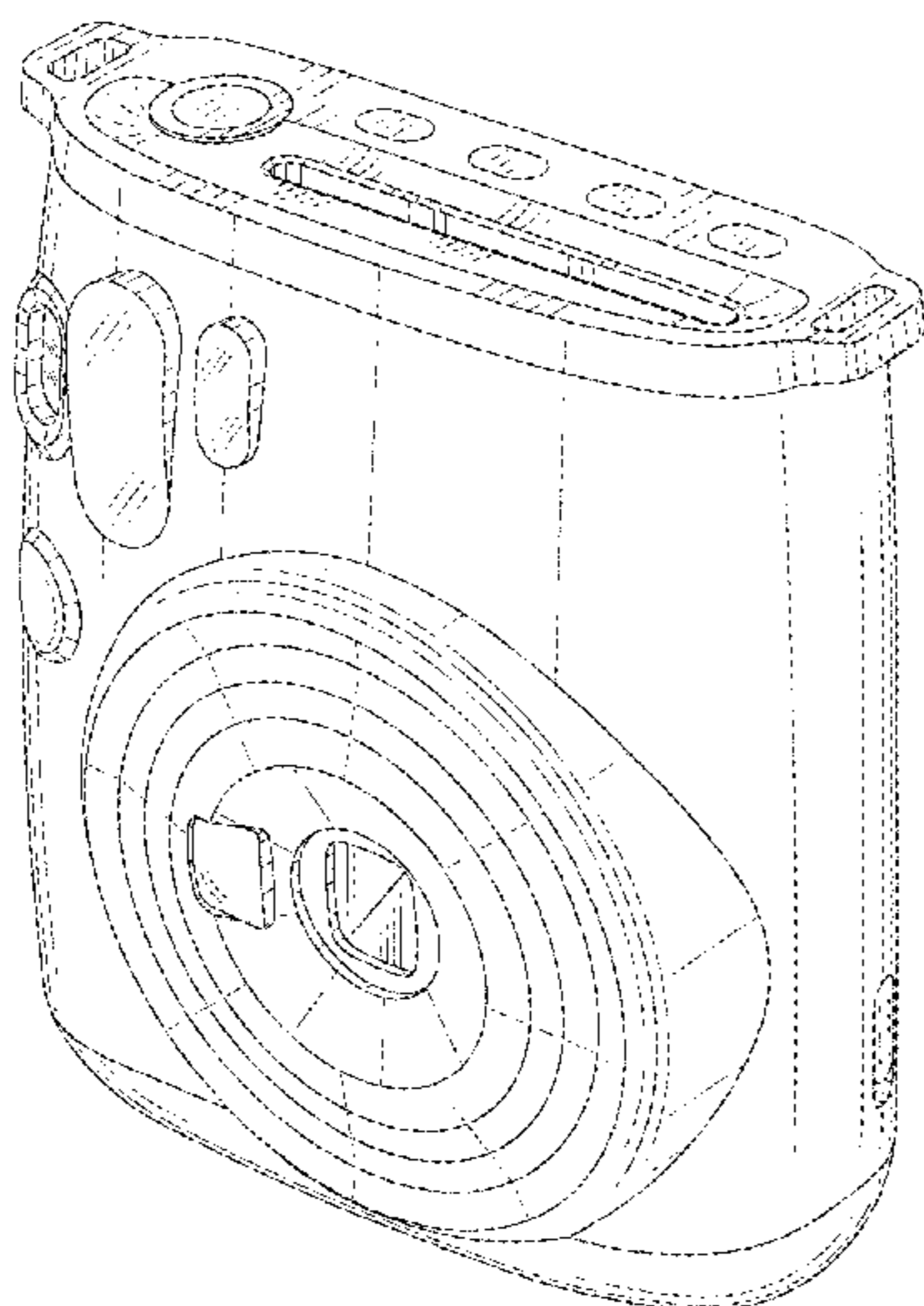
(57) **CLAIM**

The ornamental design for an instant camera, as shown and described.

DESCRIPTION

FIG. 1 is a top, front and right side perspective view of an instant camera showing my new design;
FIG. 2 is a top, rear and right side perspective view thereof;
FIG. 3 is a front elevational view thereof;
FIG. 4 is a rear elevational view thereof;
FIG. 5 is a top plan view thereof;
FIG. 6 is a bottom plan view thereof;
FIG. 7 is a left side elevational view thereof;
FIG. 8 is a right side elevational view thereof; and,
FIG. 9 is a top, front and right side perspective view thereof with a lens barrel protruded.
The portions of the article shown in broken line form no part of the claimed design.

1 Claim, 8 Drawing Sheets



(56)

References Cited

U.S. PATENT DOCUMENTS

D727,392 S * 4/2015 Fujita D16/219

OTHER PUBLICATIONS

Sawh, Michael, "Fujifilm Instax mini 8 review", posted at trustedreviews.com, Aug. 20, 2013, [site visited Aug. 9, 2016]. Available from Internet: <<http://www.trustedreviews.com/fujifilm-instax-mini-8-review>>.*

"Fuji Instax Mini 10", posted at rturner.jalbum.net, Feb. 7, 2008, [site visited Aug. 9, 2016]. Available from Internet: <<http://rturner.jalbum.net/POLAROID%20COLLECTION/FUJI%20INSTAX/slides/FUJI%20INSTAX%20MINI%2010.html>>.*

Keller, Jeff, "DCRP Review: Canon PowerShot SD890 Is Digital ELPH", posted at dcresource.com, Jan. 3, 2012, [site visited Aug. 9, 2016]. Available from Internet: <http://www.dcresource.com/reviews/canon/powershot_sd890-review>.*

* cited by examiner

FIG. 1

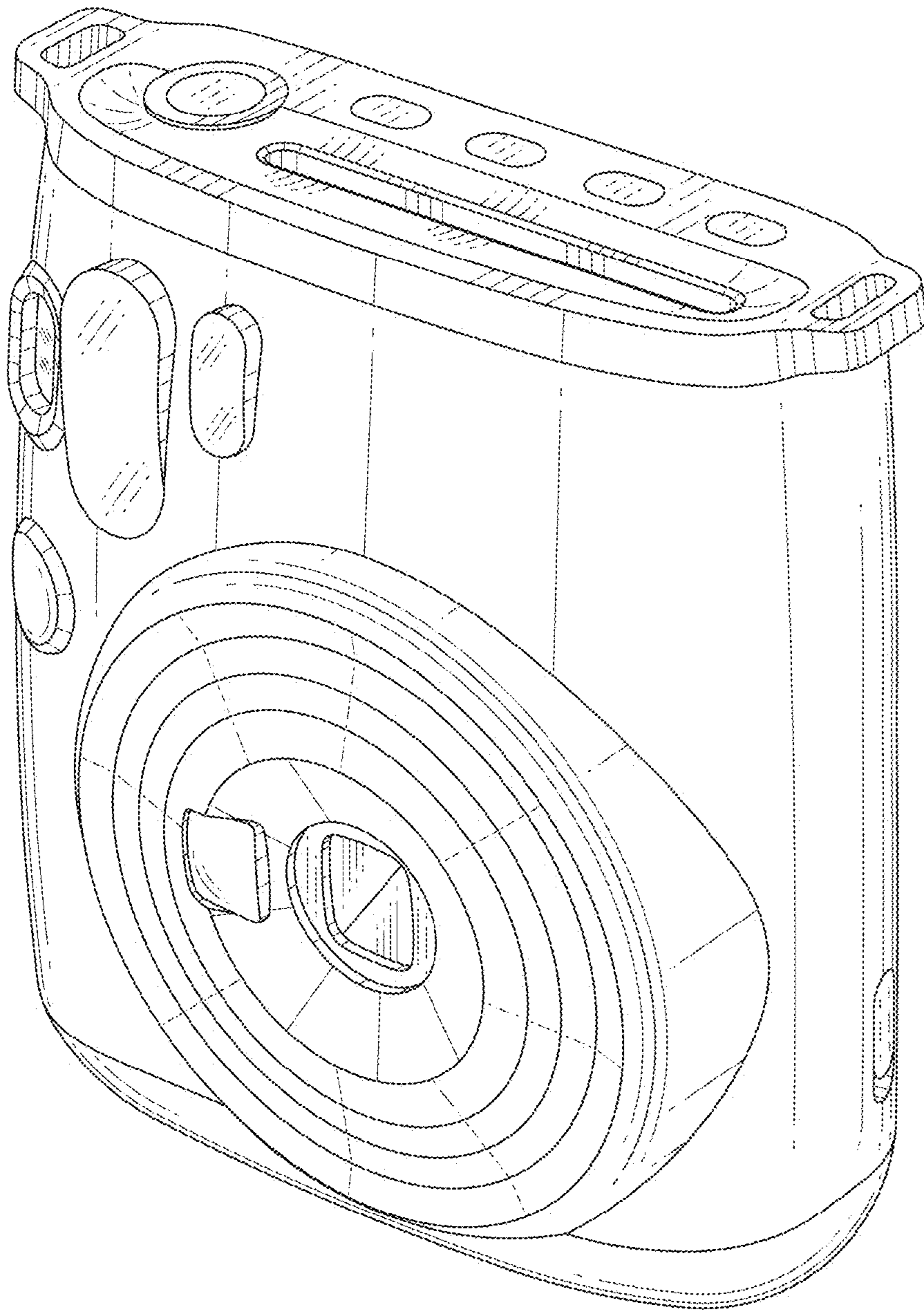


FIG. 2

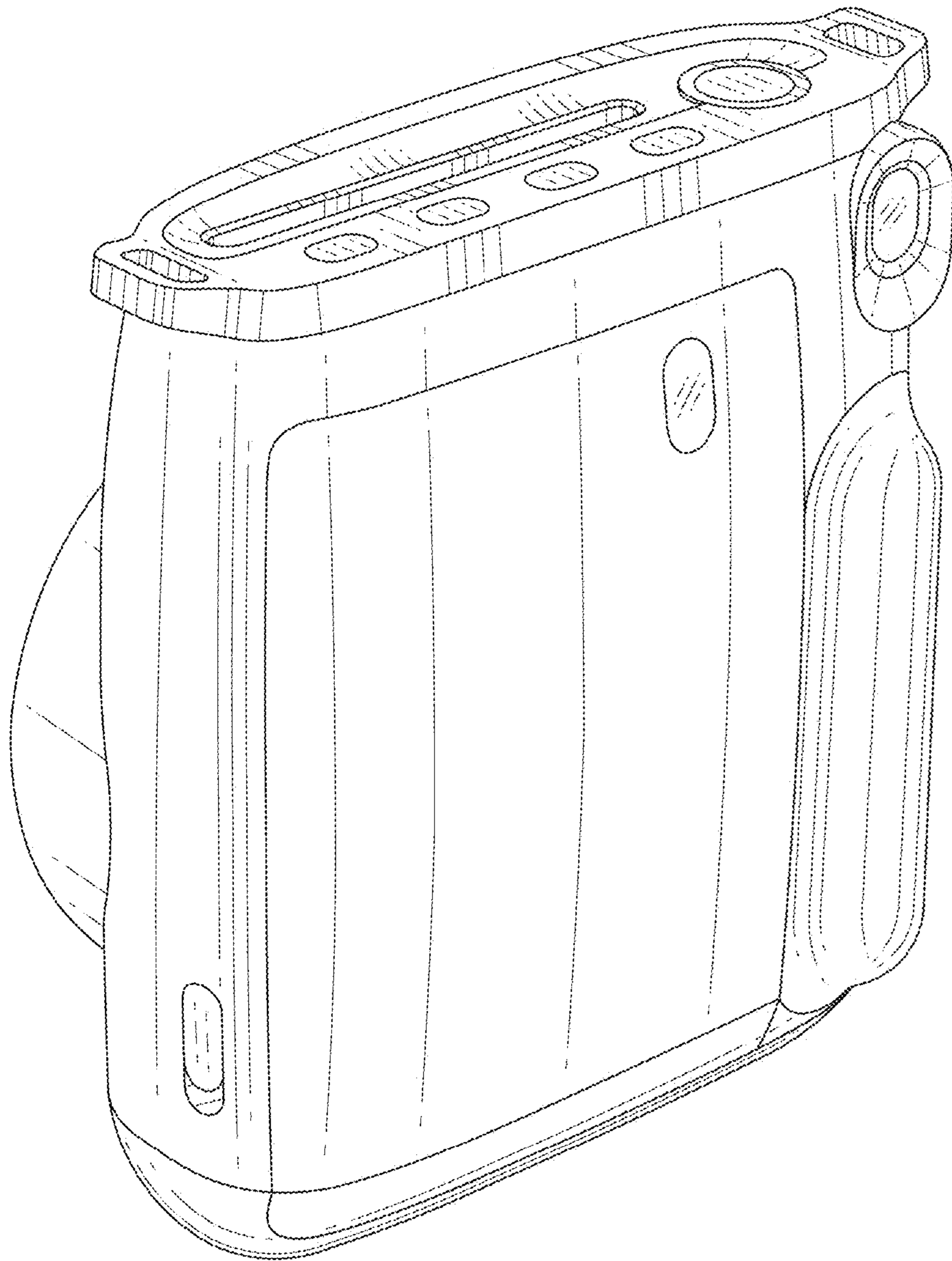


FIG. 3

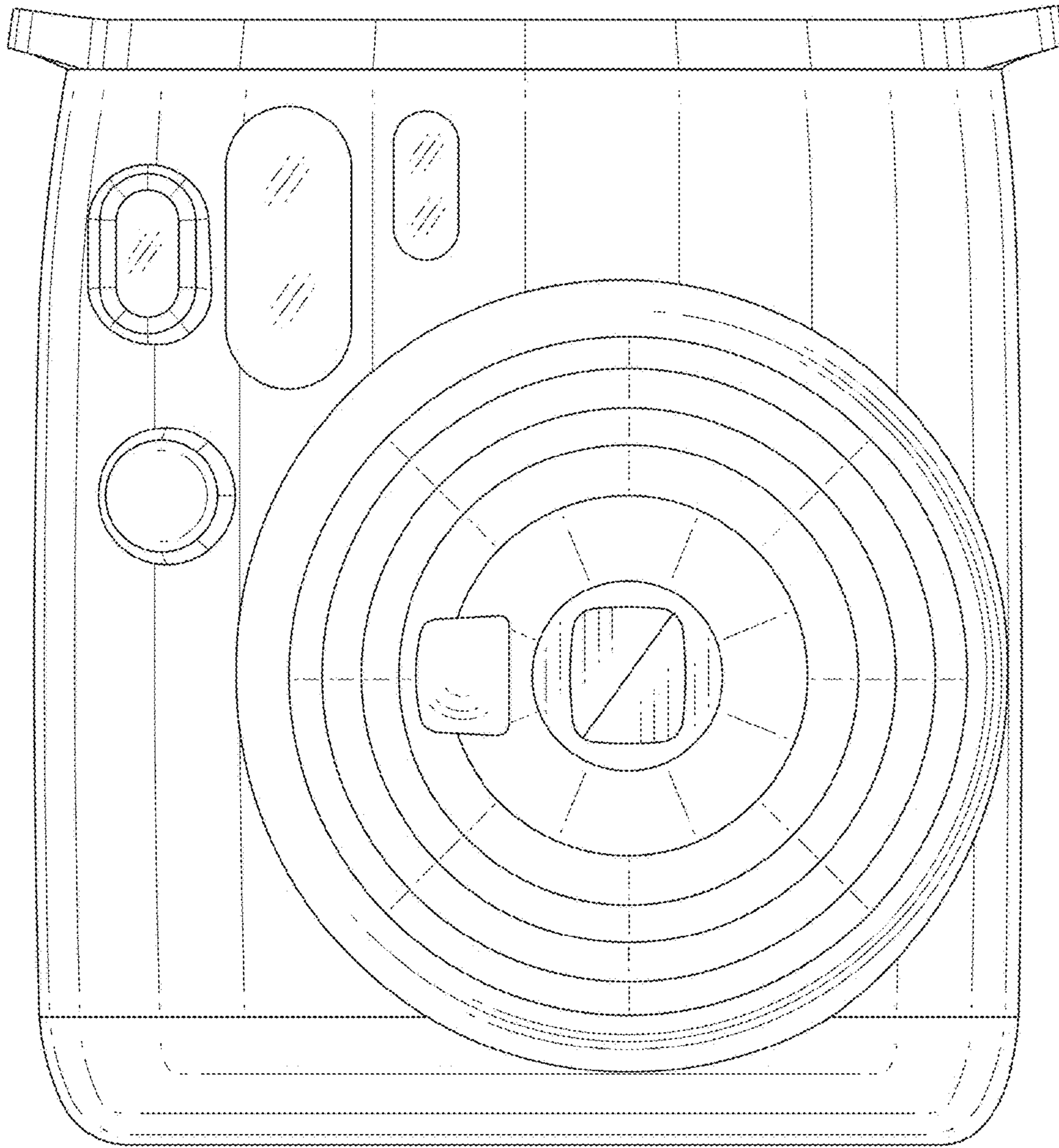


FIG. 4

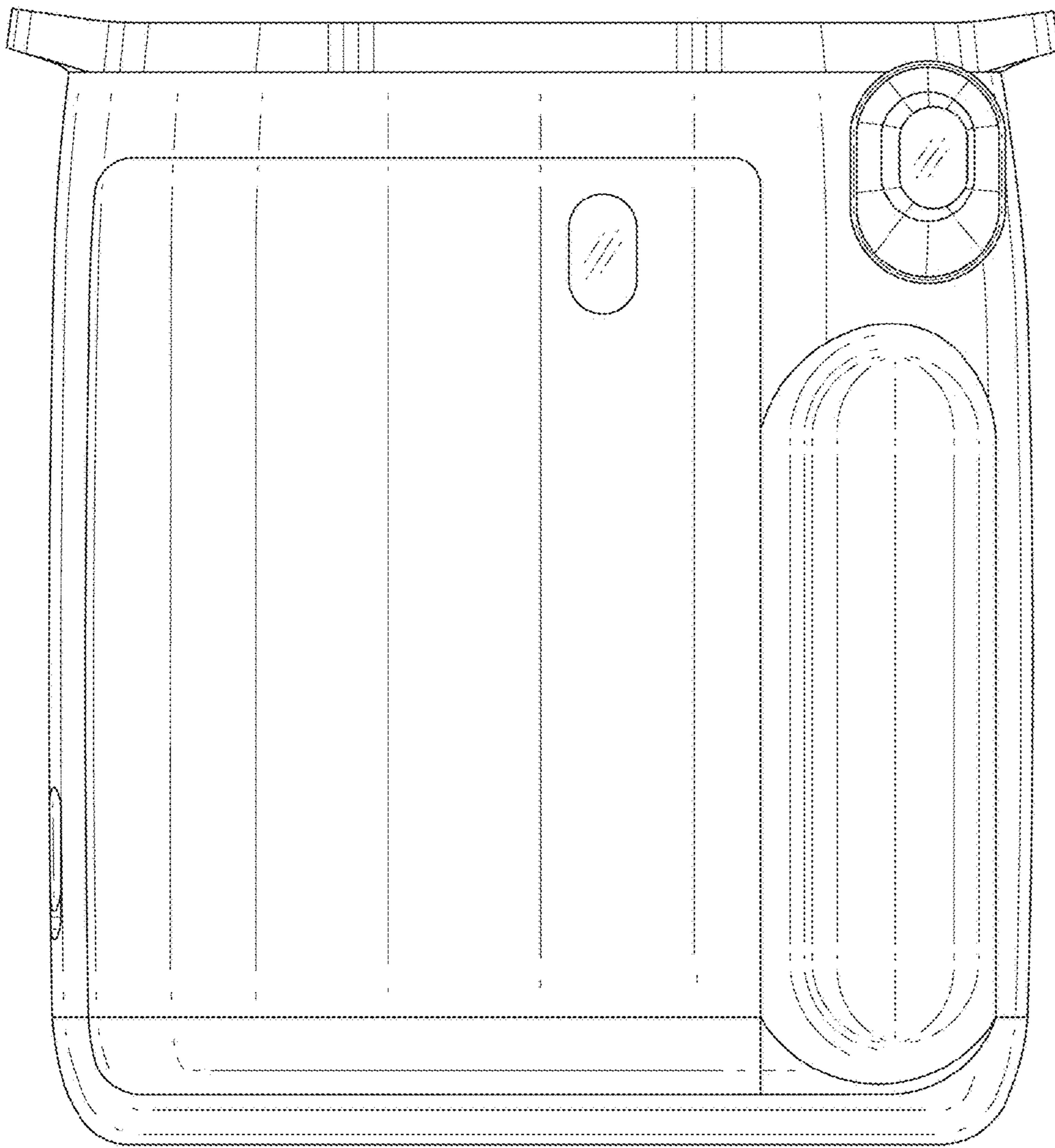


FIG. 5

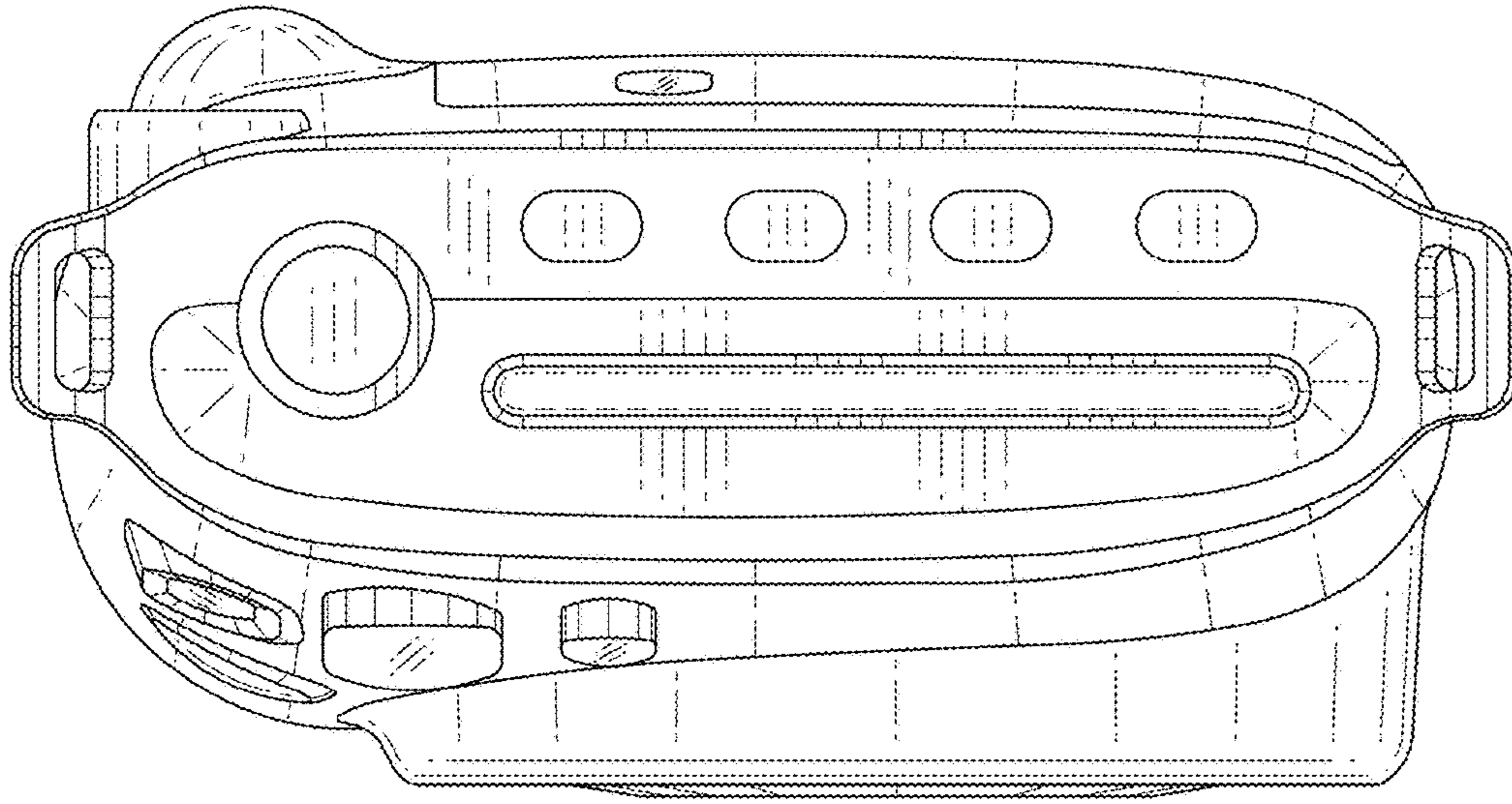


FIG. 6

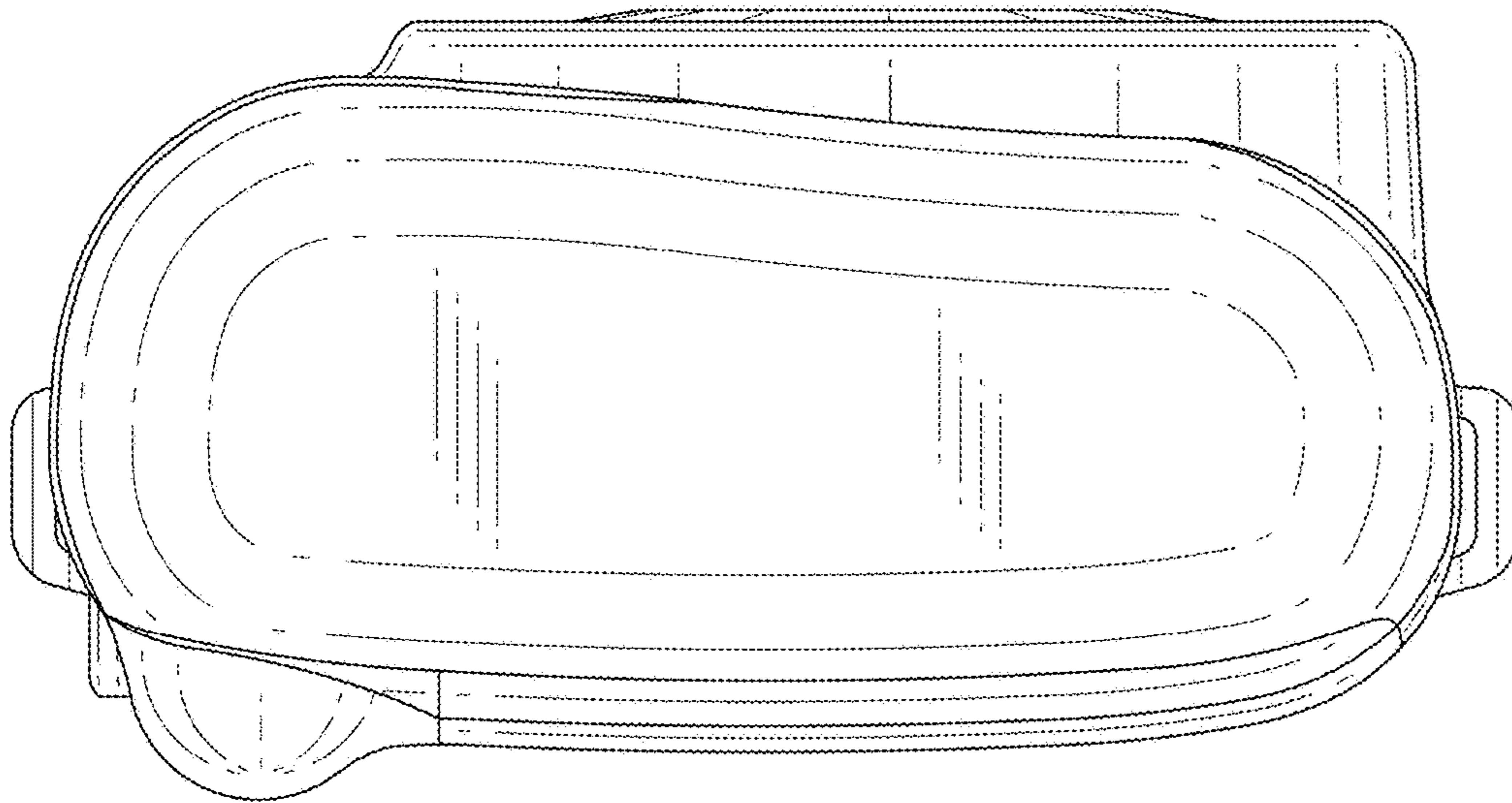


FIG. 7

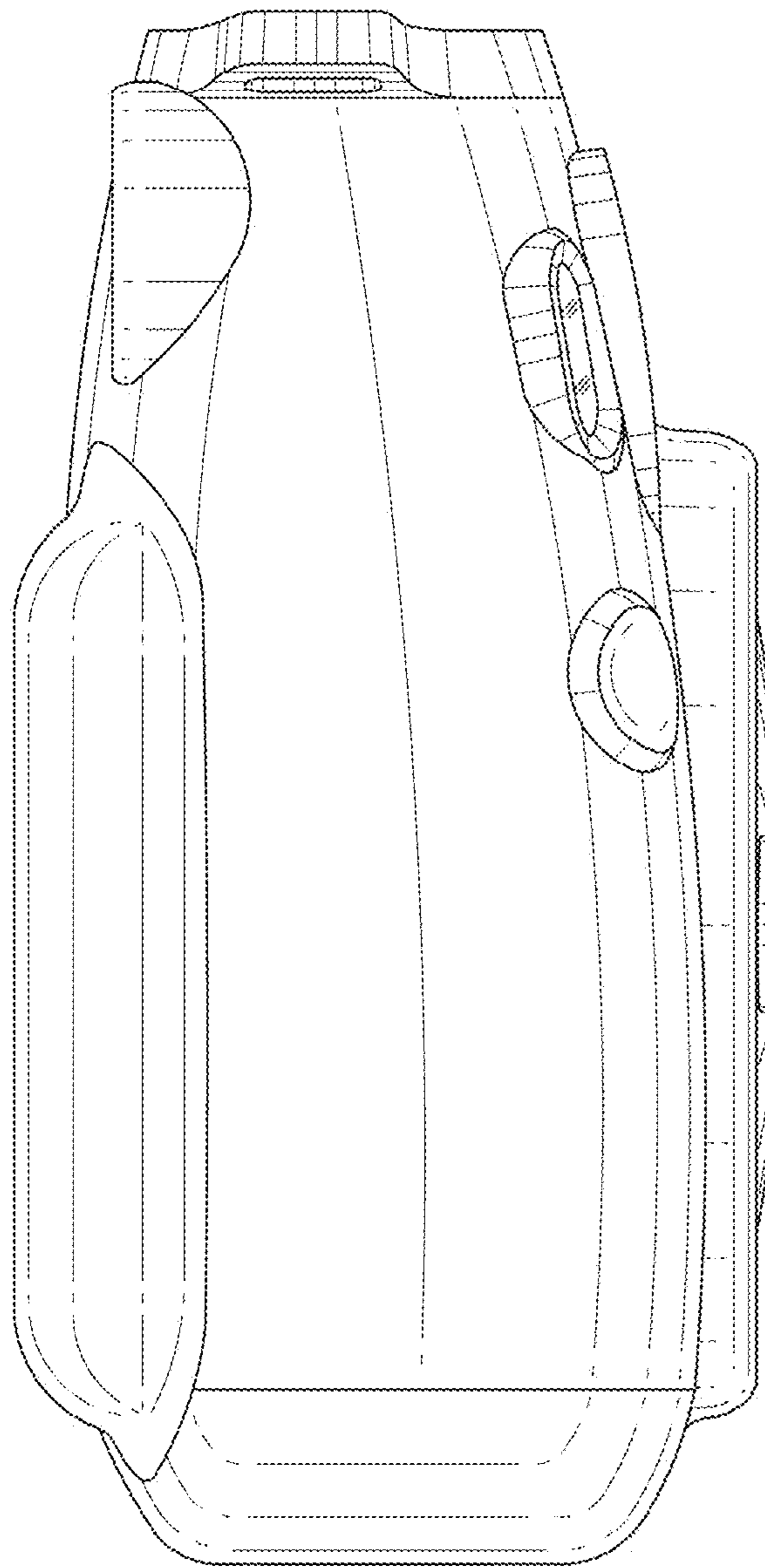


FIG. 8

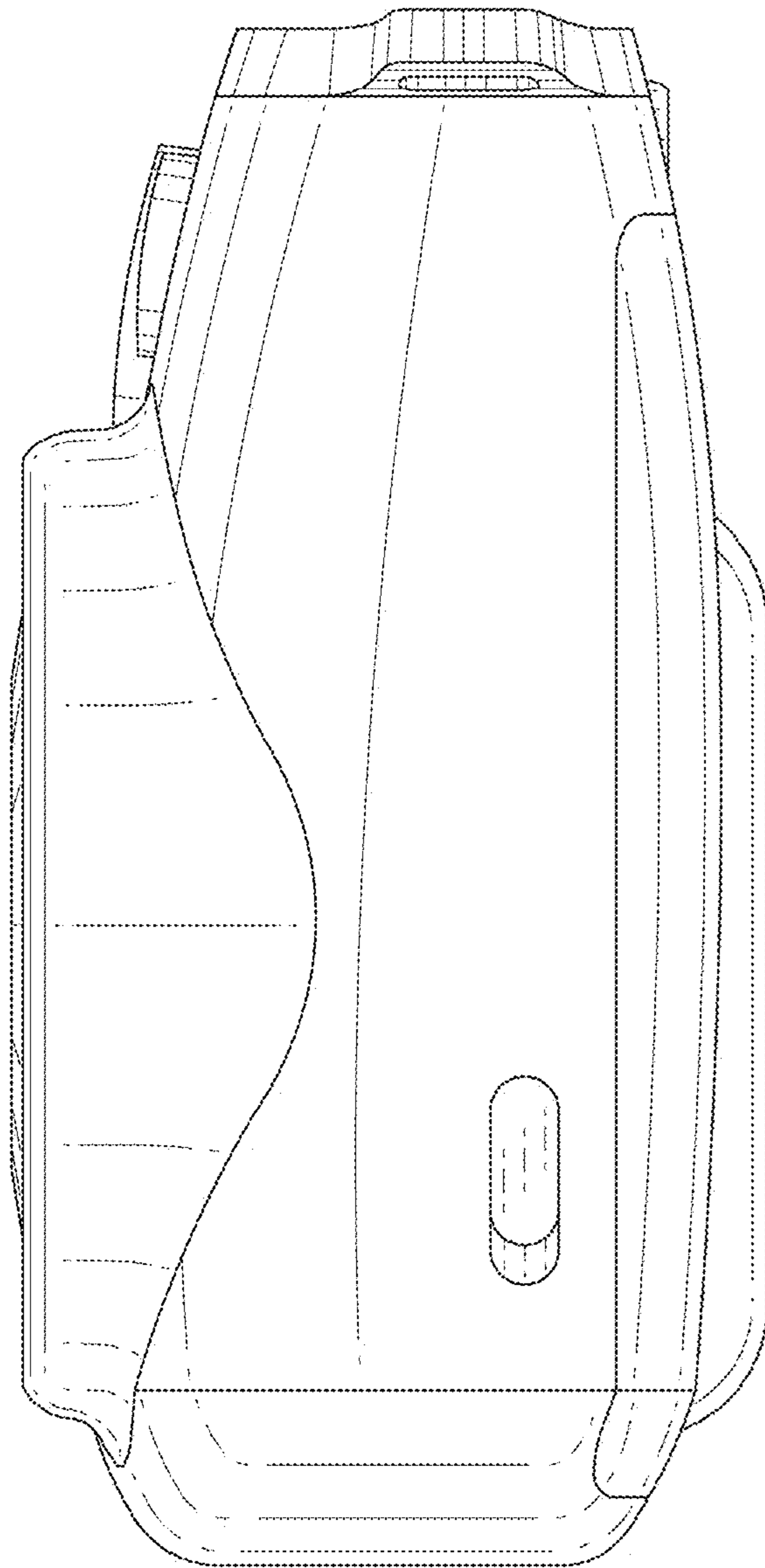


FIG. 9

